

ST10R163
16-BIT MCU
USER MANUAL

FEBRUARY 1996



USE IN LIFE SUPPORT DEVICES OR SYSTEMS MUST BE EXPRESSLY AUTHORIZED.

SGS-THOMSON PRODUCTS ARE NOT AUTHORIZED FOR USE AS CRITICAL COMPONENTS IN LIFE SUPPORT DEVICES OR SYSTEMS WITHOUT THE EXPRESS WRITTEN APPROVAL OF SGS-THOMSON Microelectronics.

As used herein:

1. Life support devices or systems are those which (a) are intended for surgical implant into the body, or (b) support or sustain life, and whose failure to perform, when properly used in accordance with instructions for use provided with the product, can be reasonably expected to result in significant injury to the user.
2. A critical component is any component of a life support device or system whose failure to perform can reasonably be expected to cause the failure of the life support device or system, or to affect its safety or effectiveness.

Table of Contents

1 - ARCHITECTURAL OVERVIEW	9
1.1 BASIC CPU CONCEPTS AND OPTIMIZATION	10
1.2 THE ON-CHIP SYSTEM RESOURCES	13
1.3 THE ON-CHIP PERIPHERAL BLOCKS	15
1.4 THE APPLICATION-SPECIFIC SYNCHRONOUS SERIAL PORT	17
1.5 PROTECTED BITS	18
2 - MEMORY ORGANIZATION	19
2.1 INTERNAL RAM AND SFR AREA	21
2.2 EXTERNAL MEMORY SPACE	26
2.3 CROSSING MEMORY BOUNDARIES	26
3 - CENTRAL PROCESSING UNIT	27
3.1 INSTRUCTION PIPELINING	28
3.2 BIT-HANDLING AND BIT-PROTECTION	33
3.3 INSTRUCTION STATE TIMES	34
3.4 CPU SPECIAL FUNCTION REGISTERS	35
4 - INTERRUPT AND TRAP FUNCTIONS	53
4.1 INTERRUPT SYSTEM STRUCTURE	54
4.2 OPERATION OF THE PEC CHANNELS	61
4.3 PRIORITIZATION OF INTERRUPT AND PEC SERVICE REQUESTS	64
4.4 SAVING THE STATUS DURING INTERRUPT SERVICE	66
4.5 SAVING THE STATUS DURING INTERRUPT SERVICE	67
4.6 INTERRUPT RESPONSE TIMES	67
4.7 INTERRUPT RESPONSE TIMES	68
4.8 EXTERNAL INTERRUPTS	71
4.9 TRAP FUNCTIONS	73
5 - PARALLEL PORTS	77
5.1 PORT 0	80
5.2 PORT 1	83
5.3 PORT 2	86
5.4 PORT 3	89
5.1 PORT 4	94
5.5 PORT 5	98
5.6 PORT 6	100
6 - DEDICATED PINS	105
7 - EXTERNAL BUS INTERFACE	107
7.1 SINGLE CHIP MODE	108
7.2 EXTERNAL BUS MODES	108

Table of Contents

7.3	PROGRAMMABLE BUS CHARACTERISTICS	114
7.4	READY CONTROLLED BUS CYCLES	119
7.5	CONTROLLING THE EXTERNAL BUS CONTROLLER.....	120
7.6	EBC IDLE STATE	127
7.7	EXTERNAL BUS ARBITRATION.....	127
7.8	THE XBUS INTERFACE	130
8	- GENERAL PURPOSE TIMER UNITS	131
8.1	TIMER BLOCK GPT1	131
8.2	TIMER BLOCK GPT2	145
9	- ASYNCHRONOUS/SYNCHRONOUS SERIAL INTERFACE	159
9.1	ASYNCHRONOUS OPERATION	161
9.2	SYNCHRONOUS OPERATION.....	164
9.3	HARDWARE ERROR DETECTION CAPABILITIES	165
9.4	ASC0 BAUD RATE GENERATION	166
9.5	ASC0 INTERRUPT CONTROL	168
10	- SYNCHRONOUS SERIAL PORT	171
11	- WATCHDOG TIMER	187
12	- SYSTEM RESET	191
12.1	THE ST10R163'S PINS AFTER RESET	193
12.2	RESET OUTPUT PIN	194
12.3	WATCHDOG TIMER OPERATION AFTER RESET	194
12.4	RESET VALUES FOR THE ST10R163 REGISTERS.....	194
12.5	THE INTERNAL RAM AFTER RESET.....	194
12.6	PORTS AND EXTERNAL BUS CONFIGURATION DURING RESET.....	194
12.7	APPLICATION-SPECIFIC INITIALIZATION ROUTINE.....	195
13	- POWER REDUCTION MODES	199
13.1	IDLE MODE	199
13.2	POWER DOWN MODE	200
13.3	STATUS OF OUTPUT PINS DURING IDLE AND POWER DOWN MODE	201
14	- SYSTEM CLOCK GENERATOR	203
14.1	PLL OPERATION.....	203
14.2	OPERATION WITHOUT PLL.....	204

Table of Contents

15 - SYSTEM PROGRAMMING	205
15.1 INSTRUCTIONS PROVIDED AS SUBSETS OF INSTRUCTIONS.....	205
15.2 MULTIPLICATION AND DIVISION	206
15.3 BCD CALCULATIONS	207
15.4 STACK OPERATIONS	207
15.5 REGISTER BANKING	210
15.6 PROCEDURE CALL ENTRY AND EXIT	211
15.7 TABLE SEARCHING	213
15.8 PERIPHERAL CONTROL AND INTERFACE	213
15.9 FLOATING POINT SUPPORT	213
15.10 TRAP/INTERRUPT ENTRY AND EXIT	213
15.11 UNSEPARABLE INSTRUCTION SEQUENCES	214
15.12 OVERRIDING THE DPP ADDRESSING MECHANISM.....	214
16 - REGISTER SET	217
16.1 CPU GENERAL PURPOSE REGISTERS (GPRS)	218
16.2 SPECIAL FUNCTION REGISTERS ORDERED BY NAME.....	220
16.3 REGISTERS ORDERED BY ADDRESS	223
17 - INSTRUCTION SET SUMMARY	227
18 - DEVICE SPECIFICATION	231

INTRODUCTION

High Performance 16-Bit CPU With Four-Stage Pipeline

- 80 ns minimum instruction cycle time, with most instructions executed in 1 cycle
- 400 ns multiplication (16-bit *16-bit), 800 ns division (32-bit/16-bit)
- Multiple high bandwidth internal data buses
- Register based design with multiple variable register banks
- Single cycle context switching support
- 16 MBytes linear address space for code and data (von Neumann architecture)
- System stack cache support with automatic stack overflow/underflow detection

Control Oriented Instruction Set with High Efficiency

- Bit, byte, and word data types
- Flexible and efficient addressing modes for high code density
- Enhanced boolean bit manipulation with direct addressability of 4 Kbits for peripheral control and user defined flags
- Hardware traps to identify exception conditions during runtime
- HLL support for semaphore operations and efficient data access

Integrated On-chip Memory

- 2 KByte internal RAM for variables, register banks, system stack and code

External Bus Interface

- Multiplexed or non-multiplexed bus configurations
- Segmentation capability and chip select signal generation
- 8-bit or 16-bit data bus
- Programmable Bus configuration for five programmable address areas

16-Priority-Level Interrupt System

- 28 interrupt nodes with separate interrupt vectors
- 200/400 ns typical/maximum interrupt latency in case of internal program execution
- Fast external interrupts

8-Channel Peripheral Event Controller (PEC)

- Interrupt driven single cycle data transfer
- Transfer count option (standard CPU interrupt after a programmable number of PEC transfers)
- Eliminates overhead of saving and restoring system state for interrupt requests

Intelligent On-chip Peripheral Subsystems

- 2 Multifunctional General Purpose Timer Units
GPT1: three 16-bit timers/ counters, 320 ns maximum resolution
GPT2: two 16-bit timers/counters, 160 ns maximum resolution
- Asynchronous/Synchronous Serial Channel (USART) with baud rate generator, parity, framing, and overrun error detection
- High Speed Synchronous Serial Channel programmable data length and shift direction
- Watchdog Timer with programmable time intervals
- Bootstrap Loader for flexible system initialization

77 IO Lines With Individual Bit Addressability

- Tri-stated in input mode
- Push/pull or open drain output mode

Different Temperature Ranges

- 0 to +70 °C, -40 to +85 °C

Multifunctional CMOS Process

- Low Power CMOS Technology, including power saving Idle and Power Down modes
- 100-Pin Plastic Quad Flat Pack (PQFP) Package
- EIAJ standard, 0.65 mm (25.6 mil) lead spacing, surface mount technology

FEATURES

Complete Development Support

A variety of software and hardware development tools for the SGS-THOMSON family of 16-bit microcontrollers is available from experienced international tool suppliers. The high quality and reliability of these tools is already proven in many applications and by many users. The tool environment for the SGS-THOMSON 16-bit microcontrollers includes the following tools:

- Compilers (C, MODULA2, FORTH)
- Macro-Assemblers, Linkers, Locaters, Library Managers, Format-Converters
- Architectural Simulators
- HLL debuggers
- Real-Time operating systems
- VHDL chip models
- In-Circuit Emulators (based on bondout or standard chips)
- Plug-In emulators
- Emulation and Clip-Over adapters, production sockets
- Logic Analyzer disassemblers
- Evaluation Boards with monitor programs
- Industrial boards (also for CAN, FUZZY, PROFIBUS, FORTH applications)
- Network driver software (CAN, PROFIBUS)

Abbreviations

The following acronyms and termini are used within this document:

- ALE . . Address Latch Enable
- ALU . . Arithmetic and Logic Unit
- ASC . . Asynchronous/synchronous Serial Controller
- CAN . . . Controller Area Network (License Bosch)
- CISC . Complex Instruction Set Computing
- CMOS Complementary Metal Oxide Silicon
- CPU . . Central Processing Unit
- EBC . . External Bus Controller
- ESFR . Extended Special Function Register
- Flash . Non-volatile memory that may be electrically erased
- GPR . . General Purpose Register
- GPT . . General Purpose Timer unit
- HLL . . High Level Language
- IO . . . Input / Output
- PEC . . Peripheral Event Controller
- PLA . . Programmable Logic Array
- RAM . . Random Access Memory
- RISC . Reduced Instruction Set Computing
- ROM . . Read Only Memory
- SFR . . Special Function Register
- SSC . . Synchronous Serial Controller
- XBUS . . Internal representation of the External Bus

INTRODUCTION

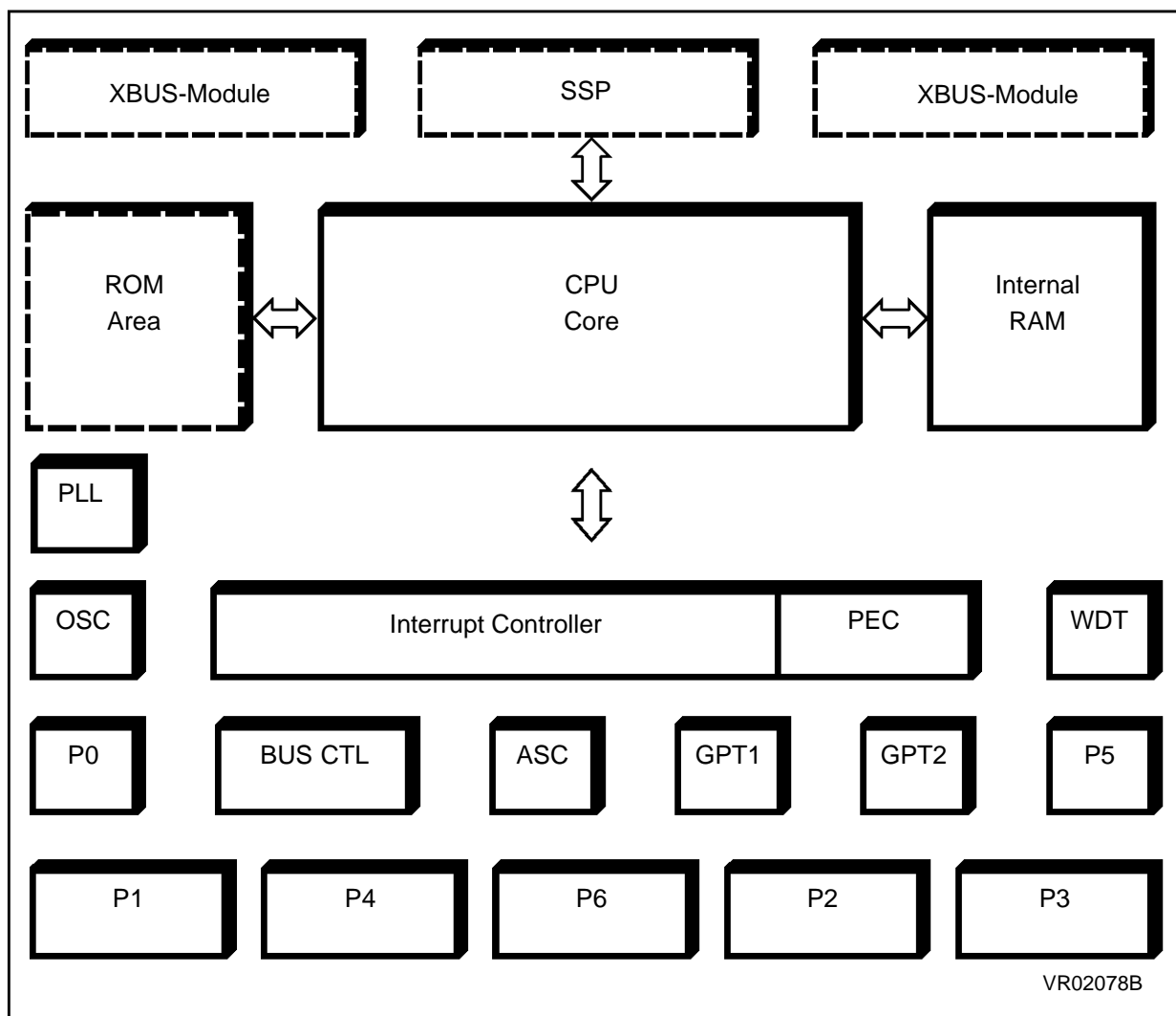
Notes:

1 - ARCHITECTURAL OVERVIEW

The architecture of the ST10R163 combines the advantages of both RISC and CISC processors in a very well-balanced way. The sum of the features which are combined result in a high performance microcontroller, which is the right choice not only for today's applications, but also for future engineering challenges. The ST10R163 not only integrates a powerful CPU core and a set of peripheral

units into one chip, but also connects the units in a very efficient way. One of the four buses used concurrently on the ST10R163 is the XBUS, an internal representation of the external bus interface. This bus provides a standardized method of integrating application-specific peripherals to produce derivatives of the standard ST10R163.

Figure 1-1. ST10R163 Functional Block Diagram



1 - ARCHITECTURAL OVERVIEW (ST10R163)

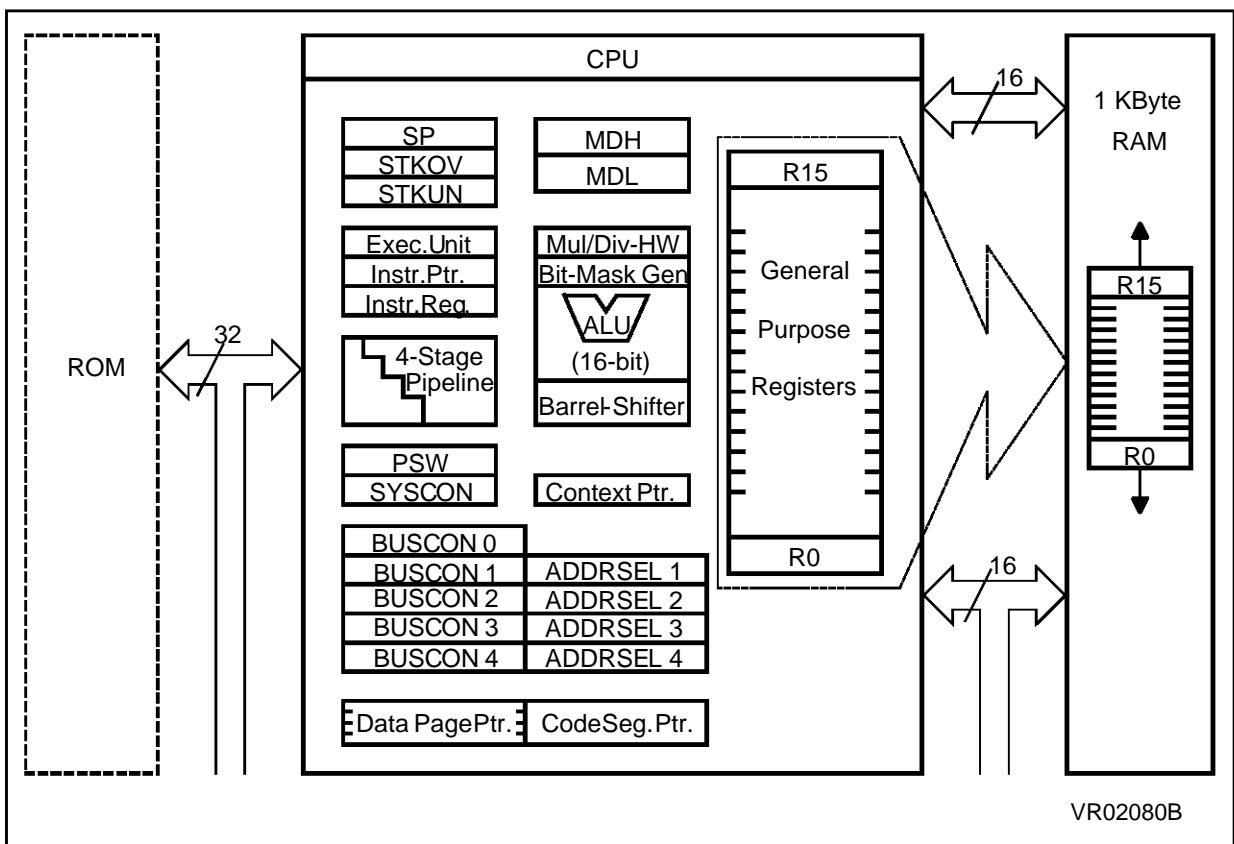
1.1 BASIC CPU CONCEPTS AND OPTIMIZATION

The main core of the CPU consists of a 4-stage instruction pipeline, a 16-bit arithmetic and logic unit (ALU) and dedicated SFRs. Additional hardware has been spent for a separate multiply and divide unit a bit-mask generator and a barrel shifter.

To meet the demand for greater performance and flexibility, a number of areas has been optimized in the processor core. Functional blocks in the CPU core are controlled by signals from the instruction decode logic. These are summarized below, and described in detail in the following sections:

- 1) High Instruction Bandwidth / Fast Execution
- 2) High Function 8-bit and 16-bit Arithmetic and Logic Unit
- 3) Extended Bit Processing and Peripheral Control
- 4) High Performance Branch-, Call-, and Loop Processing
- 5) Consistent and Optimized Instruction Formats
- 6) Programmable Multiple Priority Interrupt Structure

Figure 1-2 CPU Block Diagram



BASIC CPU CONCEPTS AND OPTIMIZATION(Cont'd)

High Instruction Bandwidth / Fast Execution

Based on the hardware provisions, most of the ST10R163's instructions can be executed in just one machine cycle, which requires 100 ns at 20 MHz CPU clock (resp. 80 ns at 25 MHz CPU clock). For example, shift and rotate instructions are always processed within one machine cycle, independent of the number of bits to be shifted.

Branch-, multiply- and divide instructions normally take more than one machine cycle. These instructions, however, have also been optimized. For example, branch instructions only require an additional machine cycle, when a branch is taken, and most branches taken in loops require no additional machine cycles at all, due to the 'Jump Cache'. A 32-bit / 16-bit division takes 1 μ s (resp. 0.8 μ s), a 16-bit * 16-bit multiplication takes 0.5 μ s (resp. 0.4 μ s) at 20 MHz (resp. 25 MHz) CPU clock.

The instruction cycle time has been dramatically reduced through the use of instruction pipelining. This technique allows the core CPU to process portions of multiple sequential instruction stages in parallel. The following four stage pipeline provides the optimum balancing for the CPU core:

FETCH: In this stage, an instruction is fetched from the internal ROM or RAM or from the external memory, based on the current IP value.

DECODE: In this stage, the previously fetched instruction is decoded and the required operands are fetched.

EXECUTE: In this stage, the specified operation is performed on the previously fetched operands.

WRITE BACK: In this stage, the result is written to the specified location.

If this technique were not used, each instruction would require four machine cycles. This increased performance allows a greater number of tasks and interrupts to be processed.

Instruction Decoder

Instruction decoding is primarily generated from PLA outputs based on the selected opcode. No microcode is used and each pipeline stage receives control signals staged in control registers from the decode stage PLAs. Pipeline holds are primarily caused by wait states for external memory accesses and cause the holding of signals in the control registers. Multiple-cycle instructions are performed through instruction injection and simple internal state machines which modify required control signals.

High Function 8-bit and 16-bit Arithmetic and Logic Unit

All standard arithmetic and logical operations are performed in a 16-bit ALU. In addition, for byte op-

erations, signals are provided from bits six and seven of the ALU result to correctly set the condition flags. Multiple precision arithmetic is provided through a 'CARRY-IN' signal to the ALU from previously calculated portions of the desired operation. Most internal execution blocks have been optimized to perform operations on either 8-bit or 16-bit quantities. Once the pipeline has been filled, one instruction is completed per machine cycle, except for multiply and divide. An advanced Booth algorithm has been incorporated to allow four bits to be multiplied and two bits to be divided per machine cycle. Thus, these operations use two coupled 16-bit registers, MDL and MDH, and require four and nine machine cycles, respectively, to perform a 16-bit by 16-bit (or 32-bit by 16-bit) calculation plus one machine cycle to setup and adjust the operands and the result. Even these longer multiply and divide instructions can be interrupted during their execution to allow for very fast interrupt response. Instructions have also been provided to allow byte packing in memory while providing sign extension of bytes for word wide arithmetic operations. The internal bus structure also allows transfers of bytes or words to or from peripherals based on the peripheral requirements.

A set of consistent flags is automatically updated in the PSW after each arithmetic, logical, shift, or movement operation. These flags allow branching on specific conditions. Support for both signed and unsigned arithmetic is provided through user-specifiable branch tests. These flags are also preserved automatically by the CPU upon entry into an interrupt or trap routine.

All targets for branch calculations are also computed in the central ALU.

A 16-bit barrel shifter provides multiple bit shifts in a single cycle. Rotates and arithmetic shifts are also supported.

Extended Bit Processing and Peripheral Control

A large number of instructions has been dedicated to bit processing. These instructions provide efficient control and testing of peripherals while enhancing data manipulation. Unlike other microcontrollers, these instructions provide direct access to two operands in the bit-addressable space without requiring to move them into temporary flags.

The same logical instructions available for words and bytes are also supported for bits. This allows the user to compare and modify a control bit for a peripheral in one instruction. Multiple bit shift instructions have been included to avoid long instruction streams of single bit shift operations. These are also performed in a single machine cycle.

BASIC CPU CONCEPTS AND OPTIMIZATION(Cont'd)

In addition, bit field instructions have been provided, which allow the modification of multiple bits from one operand in a single instruction.

High Performance Branch-, Call-, and Loop Processing

Due to the high percentage of branching in controller applications, branch instructions have been optimized to require one extra machine cycle only when a branch is taken. This is implemented by precalculating the target address while decoding the instruction. To decrease loop execution overhead, three enhancements have been provided:

- The first solution provides single cycle branch execution after the first iteration of a loop. Thus, only one machine cycle is lost during the execution of the entire loop. In loops which fall through upon completion, no machine cycles are lost when exiting the loop. No special instructions are required to perform loops, and loops are automatically detected during execution of branch instructions.
- The second loop enhancement allows the detection of the end of a table and avoids the use of two compare instructions embedded in loops. One simply places the lowest negative number at the end of the specific table, and specifies branching if neither this value nor the compared value have been found. Otherwise the loop is terminated if either condition has been met. The terminating condition can then be tested.
- The third loop enhancement provides a more flexible solution than the Decrement and Skip on Zero instruction which is found in other microcontrollers. Through the use of Compare and Increment or Decrement instructions, the user can make comparisons to any value. This allows loop counters to cover any range. This is particularly advantageous in table searching.

Saving of system state is automatically performed on the internal system stack avoiding the use of instructions to preserve state upon entry and exit of interrupt or trap routines. Call instructions push the value of the IP on the system stack, and require the same execution time as branch instructions.

Instructions have also been provided to support indirect branch and call instructions. This supports implementation of multiple CASE statement branching in assembler macros and high level languages.

Consistent and Optimized Instruction Formats

To obtain optimum performance in a pipelined design, an instruction set has been designed which

incorporates concepts from Reduced Instruction Set Computing (RISC). These concepts primarily allow fast decoding of the instructions and operands while reducing pipeline holds. These concepts, however, do not preclude the use of complex instructions, which are required by microcontroller users. The following goals were used to design the instruction set:

- 1) Provide powerful instructions to perform operations which currently require sequences of instructions and are frequently used. Avoid transfer into and out of temporary registers such as accumulators and carry bits. Perform tasks in parallel such as saving state upon entry into interrupt routines or subroutines.
- 2) Avoid complex encoding schemes by placing operands in consistent fields for each instruction. Also avoid complex addressing modes which are not frequently used. This decreases the instruction decode time while also simplifying the development of compilers and assemblers.
- 3) Provide most frequently used instructions with one-word instruction formats. All other instructions are placed into two-word formats. This allows all instructions to be placed on word boundaries, which alleviates the need for complex alignment hardware. It also has the benefit of increasing the range for relative branching instructions.

The high performance offered by the hardware implementation of the CPU can efficiently be utilized by a programmer via the highly functional ST10R163 instruction set which includes the following instruction classes:

- Arithmetic Instructions
- Logical Instructions
- Boolean Bit Manipulation Instructions
- Compare and Loop Control Instructions
- Shift and Rotate Instructions
- Prioritize Instruction
- Data Movement Instructions
- System Stack Instructions
- Jump and Call Instructions
- Return Instructions
- System Control Instructions
- Miscellaneous Instructions

Possible operand types are bits, bytes and words. Specific instruction support the conversion (extension) of bytes to words. A variety of direct, indirect or immediate addressing modes are provided to specify the required operands.

BASIC CPU CONCEPTS AND OPTIMIZATION(Cont'd)

Programmable Multiple Priority Interrupt System

The following enhancements have been included to allow processing of a large number of interrupt sources:

- 1) Peripheral Event Controller (PEC): This processor is used to off-load many interrupt requests from the CPU. It avoids the overhead of entering and exiting interrupt or trap routines by performing single-cycle interrupt-driven byte or word data transfers between any two locations in segment 0 with an optional increment of either the PEC source or the destination pointer. Just one cycle is 'stolen' from the current CPU activity to perform a PEC service.
- 2) Multiple Priority Interrupt Controller: This controller allows all interrupts to be placed at any specified priority. Interrupts may also be grouped, which provides the user with the ability to prevent similar priority tasks from interrupting each other. For each of the possible interrupt sources there is a separate control register, which contains an interrupt request flag, an interrupt enable flag and an interrupt priority bitfield. Once having been accepted by the CPU, an interrupt service can only be interrupted by a higher prioritized service request. For standard interrupt processing, each of the possible interrupt sources has a dedicated vector location.
- 3) Multiple Register Banks: This feature allows the user to specify up to sixteen general purpose registers located anywhere in the internal RAM. A single one-machine-cycle instruction allows to switch register banks from one task to another.
- 4) Interruptable Multiple Cycle Instructions: Reduced interrupt latency is provided by allowing multiple-cycle instructions (multiply, divide) to be interruptable.

With an interrupt response time within a range from just 250 ns to 500 ns at 20 MHz CPU clock (resp. 200 ns to 400 ns at 25 MHz CPU clock) (in case of maximum speed program execution), the ST10R163 is capable of reacting very fast on non-deterministic events.

Its fast external interrupt inputs are sampled every 50 ns at 20 MHz CPU clock (resp. 40 ns at 25 MHz CPU clock) and allow to recognize even very short external signals.

The ST10R163 also provides an excellent mechanism to identify and to process exceptions or error conditions that arise during run-time, 'Hardware Traps'. Hardware traps cause an immediate non-

maskable system reaction which is similar to a standard interrupt service (branching to a dedicated vector table location). The occurrence of a hardware trap is additionally signified by an individual bit in the trap flag register (TFR). Except for another higher prioritized trap service being in progress, a hardware trap will interrupt any current program execution. In turn, hardware trap services can normally not be interrupted by standard or PEC interrupts.

Software interrupts are supported by means of the 'TRAP' instruction in combination with an individual trap (interrupt) number.

1.2 THE ON-CHIP SYSTEM RESOURCES

The ST10R163 controllers provide a number of powerful system resources designed around the CPU. The combination of CPU and these resources results in the high performance of the members of this controller family.

Peripheral Event Controller (PEC) and Interrupt Control

The Peripheral Event Controller allows to respond to an interrupt request with a single data transfer (word or byte) which only consumes one instruction cycle and does not require to save and restore the machine status. Each interrupt source is prioritized every machine cycle in the interrupt control block. If PEC service is selected, a PEC transfer is started. If CPU interrupt service is requested, the current CPU priority level stored in the PSW register is tested to determine whether a higher priority interrupt is currently being serviced. When an interrupt is acknowledged, the current state of the machine is saved on the internal system stack and the CPU branches to the system specific vector for the peripheral.

The PEC contains a set of SFRs which store the count value and control bits for eight data transfer channels. In addition, the PEC uses a dedicated area of RAM which contains the source and destination addresses. The PEC is controlled similar to any other peripheral through SFRs containing the desired configuration of each channel.

An individual PEC transfer counter is implicitly decremented for each PEC service except when performing in the continuous transfer mode. When this counter reaches zero, a standard interrupt is performed to the vector location related to the corresponding source. PEC services are very well suited, for example, to move register contents to/from a memory table. The ST10R163 has 8 PEC channels each of which offers such fast interrupt-driven data transfer capabilities.

THE ON-CHIP SYSTEM RESOURCES(Cont'd)

Memory Areas

The memory space of the ST10R163 is configured in a Von Neumann architecture which means that code memory, data memory, registers and IO ports are organized within the same linear address space which covers up to 16 MBytes. The entire memory space can be accessed byte-wise or word-wise. Particular portions of the on-chip memory have additionally been made directly bit addressable.

A 1 KByte 16-bit wide internal RAM provides fast access to General Purpose Registers (GPRs), user data (variables) and system stack. The internal RAM may also be used for code. A unique decoding scheme provides flexible user register banks in the internal memory while optimizing the remaining RAM for user data.

The CPU disposes of an actual register context consisting of up to 16 word-wide and/or byte-wide GPRs, which are physically located within the on-chip RAM area. A Context Pointer (CP) register determines the base address of the active register bank to be accessed by the CPU at a time. The number of register banks is only restricted by the available internal RAM space. For easy parameter passing, a register bank may overlap others.

A system stack of up to 512 words is provided as a storage for temporary data. The system stack is also located within the on-chip RAM area, and it is accessed by the CPU via the stack pointer (SP) register. Two separate SFRs, STKOV and STKUN, are implicitly compared against the stack pointer value upon each stack access for the detection of a stack overflow or underflow.

Hardware detection of the selected memory space is placed at the internal memory decoders and allows the user to specify any address directly or indirectly and obtain the desired data without using temporary registers or special instructions.

For Special Function Registers 1024 Bytes of the address space are reserved. The standard Special Function Register area (SFR) uses 512 bytes, while the Extended Special Function Register area (ESFR) uses the other 512 bytes. (E)SFRs are word-wide registers which are used for controlling and monitoring functions of the different on-chip units. Unused (E)SFR addresses are reserved for future members of the ST10R163 family with enhanced functionality.

External Bus Interface

In order to meet the needs of designs where more memory is required than is provided on chip, up to 16 MBytes of external RAM and/or ROM can be connected to the microcontroller via its external bus interface. The integrated External Bus Controller (EBC) allows to access external memory and/or peripheral resources in a very flexible way. For up to five address areas the bus mode (multiplexed / demultiplexed), the data bus width (8-bit / 16-bit) and even the length of a bus cycle (wait-states, signal delays) can be selected independently. This allows to access a variety of memory and peripheral components directly and with maximum efficiency. The EBC can control external accesses in one of the following four different external access modes:

- 16-/18-/20-/24-bit Addresses, 16-bit Data, demultiplexed
- 16-/18-/20-/24-bit Addresses, 8-bit Data, demultiplexed
- 16-/18-/20-/24-bit Addresses, 16-bit Data, Multiplexed
- 16-/18-/20-/24-bit Addresses, 8-bit Data, Multiplexed

The demultiplexed bus modes use PORT1 for addresses and PORT0 for data input/output. The multiplexed bus modes use PORT0 for both addresses and data input/output. All modes use Port 4 for the upper address lines (A16...) if selected.

Important timing characteristics of the external bus interface (waitstates, ALE length and Read/Write Delay) have been made programmable to allow the user the adaptation of a wide range of different types of memories and/or peripherals. Access to very slow memories or peripherals is supported via a particular 'Ready' function.

For applications which require less than 64 KBytes of address space, a non-segmented memory model can be selected, where all locations can be addressed by 16 bits, and thus Port 4 is not needed as an output for the upper address bits (A23/A19/A17...A16), as is the case when using the segmented memory model.

The on-chip XBUS is an internal representation of the external bus and allows to access integrated application-specific peripherals/modules in the same way as external components. It provides a defined interface for these customized peripherals.

THE ON-CHIP SYSTEM RESOURCES(Cont'd)

Clock Generator

The on-chip clock generator includes a PLL (Phase Lock Loop) circuit that allows to operate the ST10R163 on a variety of frequency external clock while still providing maximum performances. The PLL multiplies the external clock frequency by a programmable factor of 1.5, 2, 2.5, 3, 4 or 5. The PLL also provides fail safe mechanisms which allow to detect frequency deviations and to perform emergency actions in case of an external clock failure. The PLL may also be disabled, in which case the ST10R163 will directly run on the external input clock divided by 2 or not. The clock generator provides a CPU clock signal that controls all activities of the controller hardware. This internal clock signal is also referred to as "CPU clock". Two separated clock signals are generated for the CPU itself and the peripheral part of the chip. While the CPU clock is stopped during waitstates or during the idle mode, the peripheral clock keeps running. Both clocks are switched off, when the power down mode is entered.

1.3 THE ON-CHIP PERIPHERAL BLOCKS

The ST10R163 family clearly separates peripherals from the core. This structure permits the maximum number of operations to be performed in parallel and allows peripherals to be added or removed from family members without modifications to the core. Each functional block processes data independently and communicates information over common buses. Peripherals are controlled by data written to the respective Special Function Registers (SFRs). These SFRs are located either within the standard SFR area (00'FE00h...00'FFFFh) or within the extended ESFR area (00'F000h...00'F1FFh).

These built in peripherals either allow the CPU to interface with the external world, or provide functions on-chip that otherwise were to be added externally in the respective system.

The ST10R163 peripherals are:

- Two General Purpose Timer Blocks (GPT1 and GPT2)
- Two Serial Interfaces (ASC0 and SSC)
- A Watchdog Timer

- Seven IO ports with a total of 77 IO lines
- An integrated application-specific Synchronous Serial Port (X-peripheral number 0)

Each peripheral also contains a set of Special Function Registers (SFRs), which control the functionality of the peripheral and temporarily store intermediate data results. Each peripheral has an associated set of status flags. Individually selected clock signals are generated for each peripheral from binary multiples of the CPU clock.

Peripheral Interfaces

The on-chip peripherals generally have two different types of interfaces, an interface to the CPU and an interface to external hardware. Communication between CPU and peripherals is performed through Special Function Registers (SFRs) and interrupts. The SFRs serve as control/status and data registers for the peripherals. Interrupt requests are generated by the peripherals based on specific events which occur during their operation (eg. operation complete, error, etc.).

For interfacing with external hardware, specific pins of the parallel ports are used, when an input or output function has been selected for a peripheral. During this time, the port pins are controlled by the peripheral (when used as outputs) or by the external hardware which controls the peripheral (when used as inputs). This is called the 'alternate (input or output) function' of a port pin, in contrast to its function as a general purpose IO pin.

Peripheral Timing

Internal operation of CPU and peripherals is based on the CPU clock (f_{CPU}). The on-chip oscillator derives the CPU clock from the crystal or from the external clock signal. The clock signal which is gated to the peripherals is independent from the clock signal which feeds the CPU. During Idle mode the CPU's clock is stopped while the peripherals continue their operation. Peripheral SFRs may be accessed by the CPU once per state. When an SFR is written to by software in the same state where it is also to be modified by the peripheral, the software write operation has priority. Further details on peripheral timing are included in the specific sections about each peripheral.

THE ON-CHIP PERIPHERAL BLOCKS(Cont'd)

Programming Hints

Access to SFRs

All SFRs reside in data page 3 of the memory space. The following addressing mechanisms allow to access the SFRs:

- indirect or direct addressing with **16-bit (mem) addresses** it must be guaranteed that the used data page pointer (DPP0...DPP3) selects data page 3.
- accesses via the Peripheral Event Controller (**PEC**) use the SRCPx and DSTPx pointers instead of the data page pointers.
- **short 8-bit (reg) addresses** to the standard SFR area do not use the data page pointers but directly access the registers within this 512 Byte area.
- **short 8-bit (reg) addresses** to the extended **ESFR** area require switching to the 512 Byte extended SFR area. This is done via the EXTension instructions EXTR, EXTP(R), EXTS(R).

Byte write operations to word wide SFRs via indirect or direct 16-bit (mem) addressing or byte transfers via the PEC force zeros in the non-addressed byte. Byte write operations via short 8-bit (reg) addressing can only access the low byte of an SFR and force zeros in the high byte. It is therefore recommended, to use the bit field instructions (BFLDL and BFLDH) to write to any number of bits in either byte of an SFR without disturbing the non-addressed byte and the unselected bits.

Reserved Bits

Some of the bits which are contained in the ST10R163's SFRs are marked as 'Reserved'. User software should never write '1's to reserved bits. These bits are currently not implemented and may be used in future products to invoke new functions. In this case, the active state for these functions will be '1', and the inactive state will be '0'. Therefore writing only '0's to reserved locations provides portability of the current software to future devices. Read accesses to reserved bits return '0's.

Parallel Ports

The ST10R163 provides up to 77 IO lines which are organized into six input/output ports and one input port. All port lines are bit-addressable, and all input/output lines are individually (bit-wise) pro-

grammable as inputs or outputs via direction registers. The IO ports are true bidirectional ports which are switched to high impedance state when configured as inputs. The output drivers of three IO ports can be configured (pin by pin) for push/pull operation or open-drain operation via control registers. During the internal reset, all port pins are configured as inputs.

All port lines have programmable alternate input or output functions associated with them. PORT0 and PORT1 may be used as address and data lines when accessing external memory, while Port 4 outputs the additional segment address bits A23/19/17...A16 in systems where segmentation is used to access more than 64 KBytes of memory. Port 6 provides optional bus arbitration signals (**BREQ**, **HLDA**, **HOLD**) and chip select signals. Port 2 accepts the fast external interrupt inputs. Port 3 includes alternate functions of timers, serial interfaces, the optional bus control signal **BHE** and the system clock output (CLKOUT). Port 5 is used for timer control signals. All port lines that are not used for these alternate functions may be used as general purpose IO lines.

Serial Channels

Serial communication with other microcontrollers, processors, terminals or external peripheral components is provided by two serial interfaces with different functionality, an Asynchronous/Synchronous Serial Channel (ASC0).

They support full-duplex asynchronous communication at up to 625 KBaud and half-duplex synchronous communication at up to 5 MBaud (2.5 MBaud on the ASC0) @ 20 MHz CPU clock. The SSC may be configured so it interfaces with serially linked peripheral components.

Two dedicated baud rate generators allow to set up all standard baud rates without oscillator tuning. For transmission, reception and error handling 4 separate interrupt vectors are provided on channel ASC0.

In asynchronous mode, 8- or 9-bit data frames are transmitted or received, preceded by a start bit and terminated by one or two stop bits. For multi-processor communication, a mechanism to distinguish address from data bytes has been included (8-bit data plus wake up bit mode).

In synchronous mode, the ASC0 transmits or receives bytes (8 bits) synchronously to a shift clock which is generated by the ASC0.

THE ON-CHIP PERIPHERAL BLOCKS(Cont'd)

General Purpose Timer (GPT) Unit

The GPT units represent a very flexible multifunctional timer/counter structure which may be used for many different time related tasks such as event timing and counting, pulse width and duty cycle measurements, pulse generation, or pulse multiplication.

The five 16-bit timers are organized in two separate modules, GPT1 and GPT2. Each timer in each module may operate independently in a number of different modes, or may be concatenated with another timer of the same module.

Each timer can be configured individually for one of three basic modes of operation, which are Timer, Gated Timer, and Counter Mode. In Timer Mode the input clock for a timer is derived from the internal CPU clock divided by a programmable prescaler, while Counter Mode allows a timer to be clocked in reference to external events (via TxIN).

Pulse width or duty cycle measurement is supported in Gated Timer Mode where the operation of a timer is controlled by the 'gate' level on its external input pin TxIN.

The count direction (up/down) for each timer is programmable by software or may additionally be altered dynamically by an external signal (TxEUD) to facilitate eg. position tracking.

The core timers T3 and T6 have output toggle latches (TxOTL) which change their state on each timer over-flow/underflow. The state of these latches may be output on port pins (TxOUT) or may be used internally to concatenate the core timers with the respective auxiliary timers resulting in 32/33-bit timers/counters for measuring long time periods with high resolution.

Various reload or capture functions can be selected to reload timers or capture a timer's contents triggered by an external signal or a selectable transition of toggle latch TxOTL.

The maximum resolution of the timers in module GPT1 is 400 ns (@ 20 MHz CPU clock). With its maximum resolution of 200 ns (@ 20 MHz CPU clock) the GPT2 timers provide precise event control and time measurement.

Watchdog Timer

The Watchdog Timer represents one of the fail-safe mechanisms which have been implemented

to prevent the controller from malfunctioning for longer periods of time.

The Watchdog Timer is always enabled after a reset of the chip, and can only be disabled in the time interval until the EINIT (end of initialization) instruction has been executed. Thus, the chip's start-up procedure is always monitored. The software has to be designed to service the Watchdog Timer before it overflows. If, due to hardware or software related failures, the software fails to do so, the Watchdog Timer overflows and generates an internal hardware reset and pulls the RSTOUT pin low in order to allow external hardware components to reset.

The Watchdog Timer is a 16-bit timer, clocked with the CPU clock divided either by 2 or by 128. The high byte of the Watchdog Timer register can be set to a prespecified reload value (stored in WDTREL) in order to allow further variation of the monitored time interval. Each time it is serviced by the application software, the high byte of the Watchdog Timer is reloaded. Thus, time intervals between 25 μ s and 420 ms can be monitored (@ 20 MHz). The default Watchdog Timer interval after reset is 6.55 ms (@ 20 MHz).

1.4 THE APPLICATION-SPECIFIC SYNCHRONOUS SERIAL PORT

The ST10R163 has an additional customer specific Synchronous Serial Port (SSP). The SSP is implemented as an X-Peripheral onto the XBUS in the address range 00'EF00h...00'EFFh, a 256 Byte range (10 byte addresses used).

The SSP is a simple synchronous serial port which allows to communicate with external slave devices such as EEPROM via a three-wire interface at up to 10 MBit/s (@20MHz CPU clock). The SSP can be programmed to send command, address or data information to a peripheral or receive data from a peripheral. For a write operation, the SSP can send up to three bytes (24 bits) to a peripheral. For a read operation, the SSP can first send up to three bytes to a peripheral before receiving one byte from the peripheral. During each transfer, one of the two dedicated chip enable signals selects one of the slaves devices connected to the SSP.

1 - ARCHITECTURAL OVERVIEW (ST10R163)

1.5 PROTECTED BITS

The ST10R163 provides a special mechanism to protect bits which can be modified by the on-chip hardware from being changed unintentionally by

software accesses to related bits (see also chapter "The Central Processing Unit").

The following bits are protected:

Register	Bit Name	Notes
T2IC, T3IC, T4IC	T2IR, T3IR, T4IR	GPT1 timer interrupt request flags
T5IC, T6IC	T5IR, T6IR	GPT2 timer interrupt request flags
CRIC	CRIR	GPT2 CAPREL interrupt request flag
T3CON, T6CON	T3OTL, T6OTL	GPTx timer output toggle latches
S0TIC, S0TBIC	S0TIR, S0TBIR	ASC0 transmit(buffer) interrupt request flags
S0RIC, S0EIC	S0RIR, S0EIR	ASC0 receive/error interrupt request flags
S0CON	S0REN	ASC0 receiver enable flag
TFR	TFR.15,14,13	Class A trap flags
TFR	TFR.7,3,2,1,0	Class B trap flags
XPyIC (y=3...0)	XPyIR (y=3...0)	X-Peripheral y interrupt request flag

$\Sigma = 25$ protected bits.

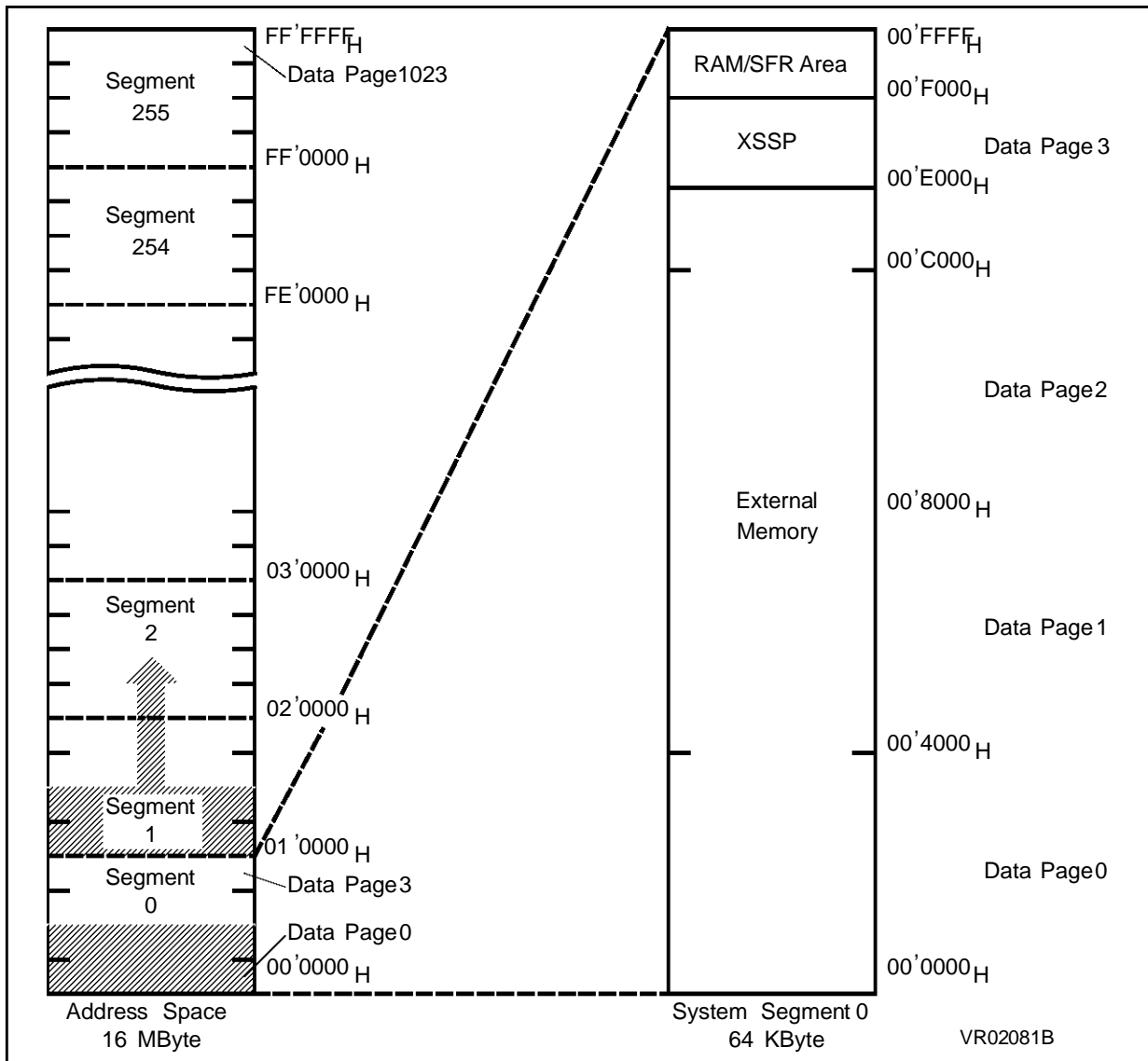
2 - MEMORY ORGANIZATION

The memory space of the ST10R163 is configured in a "Von Neumann" architecture. This means that code and data are accessed within the same linear address space. All of the physically separated memory areas, including internal RAM, the internal Special Function Register Areas (SFRs and ESFRs), the address areas for integrated XBUS

peripherals and external memory are mapped into one common address space.

The ST10R163 provides a total addressable memory space of 16 MBytes. This address space is arranged as 256 segments of 64 KBytes each, and each segment is again subdivided into four data pages of 16 KBytes each (see figure below).

Figure 2-1. Memory Areas and Address



2 - MEMORY ORGANIZATION (ST10R163)

Space

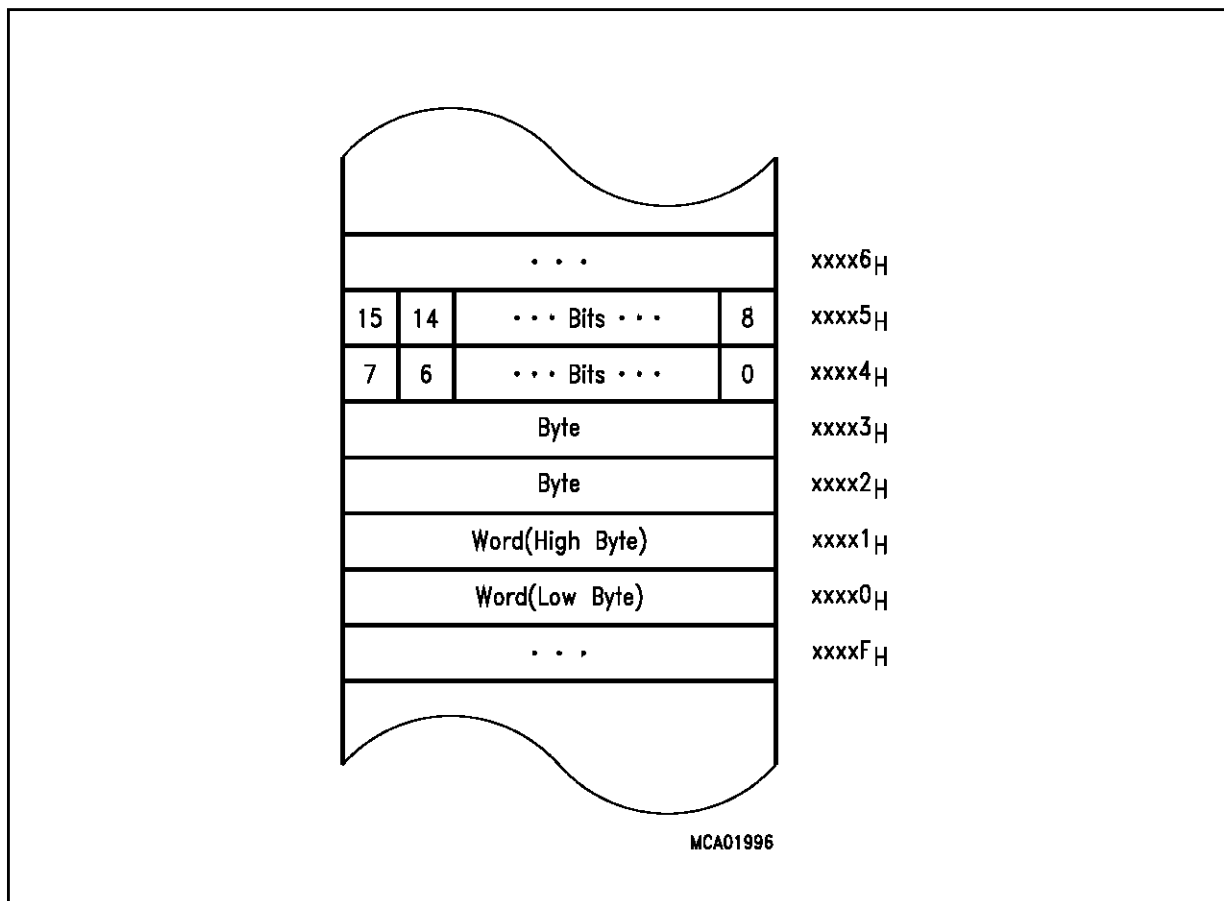
Most internal memory areas are mapped into segment 0, the system segment. The upper 4 KByte of segment 0 (00'F000h...00'FFFFh) hold the Internal RAM and Special Function Register Areas (SFR and ESFR).

Code and data may be stored in any part of the internal memory areas, except for the SFR blocks, which may be used for control / data, but not for instructions.

Note: The ST10R163 is a Romless device: program ROM must be in external memory.

Bytes are stored at even or odd byte addresses. Words are stored in ascending memory locations with the low byte at an even byte address being followed by the high byte at the next odd byte address. Double words (code only) are stored in ascending memory locations as two subsequent words. Single bits are always stored in the specified bit position at a word address. Bit position 0 is the least significant bit of the byte at an even byte address, and bit position 15 is the most significant bit of the byte at the next odd byte address. Bit addressing is supported for a part of the Special Function Registers, a part of the internal RAM and for the General Purpose Registers.

Figure 2-2. Storage of Words, Byte and Bits in a Byte Organized Memory



Note: Byte units forming a single word or a double word must always be stored within the same physical (internal, external, ROM, RAM) and organizational (page, segment) memory area.

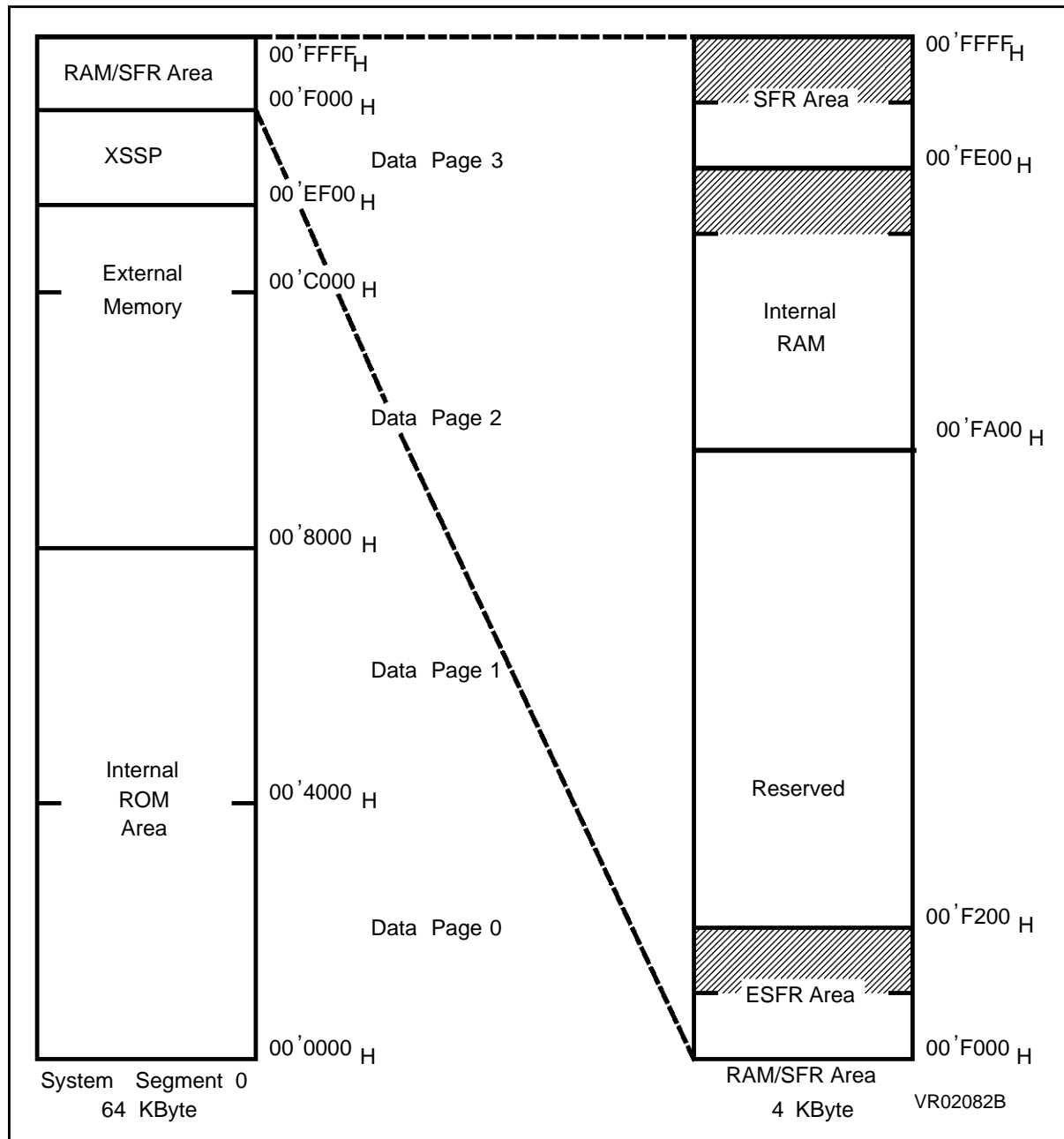
2.1 INTERNAL RAM AND SFR AREA

The RAM/SFR area is located within data page 3 and provides access to 1 KByte of on-chip RAM (organized as 512*16) and to two 512 Byte blocks of Special Function Registers (SFRs).

The internal RAM serves for several purposes:

- System Stack (programmable size)
- General Purpose Register Banks (GPRs)
- Source and destination pointers for the Peripheral Event Controller (PEC)
- Variable and other data storage, or
- Code storage.

Figure 2-3. Internal RAM Area and SFR Areas



Note: The upper 256 bytes of SFR area, ESFR area and internal RAM are bit-addressable (see shaded blocks in the figure above).

2 - MEMORY ORGANIZATION (ST10R163)

INTERNAL RAM AND SFR AREA(Cont'd)

Code accesses are always made on even byte addresses. The highest possible code storage location in the internal RAM is either 00'FDFBh for single word instructions or 00'FDFCh for double word instructions. The respective location must contain a branch instruction (unconditional), because sequential boundary crossing from internal RAM to the SFR area is not supported and causes erroneous results.

Any word and byte data in the internal RAM can be accessed via indirect or long 16-bit addressing modes, if the selected DPP register points to data page 3. Any word data access is made on an even byte address. The highest possible word data storage location in the internal RAM is 00'FDĒh. For PEC data transfers, the internal RAM can be accessed independent of the contents of the DPP registers via the PEC source and destination pointers.

The upper 256 Byte of the internal RAM (00'FD00h through 00'FDFFh) and the GPRs of the current bank are provided for single bit storage, and thus they are bit addressable.

System Stack

The system stack may be defined within the internal RAM. The size of the system stack is controlled by bitfield STKSZ in register SYSCON (see table below).

For all system stack operations the on-chip RAM is accessed via the Stack Pointer (SP) register. The stack grows downward from higher towards lower RAM address locations. Only word accesses are supported to the system stack. A stack overflow (STKOV) and a stack underflow (STKUN) register are provided to control the lower and upper limits of the selected stack area. These two stack boundary registers can be used not only for protection against data destruction, but also allow to implement a circular stack with hardware supported system stack flushing and filling (except for the 1KByte stack option).

The technique of implementing this circular stack is described in chapter "System Programming".

<STKSZ>	Stack Size (Words)	Internal RAM Addresses (Words)
0 0 0 b	256	00'FBFEh...00'FA00h (Default after Reset)
0 0 1 b	128	00'FBFEh...00'FB00h
0 1 0 b	64	00'FBFEh...00'FB80h
0 1 1 b	32	00'FBFEh...00'FBC0h
1 0 0 b	---	Reserved. Do not use this combination.
1 0 1 b	---	Reserved. Do not use this combination.
1 1 0 b	---	Reserved. Do not use this combination.
1 1 1 b	512	00'FDĒh...00'FA00h (Note: No circular stack)

INTERNAL RAM AND SFR AREA(Cont'd)

General Purpose Registers

The General Purpose Registers (GPRs) use a block of 16 consecutive words within the internal RAM. The Context Pointer (CP) register determines the base address of the currently active register bank. This register bank may consist of up to 16 word GPRs (R0, R1, ..., R15) and/or of up to 16 byte GPRs (RL0, RH0, ..., RL7, RH7). The sixteen byte GPRs are mapped onto the first eight word GPRs (see table below).

In contrast to the system stack, a register bank grows from lower towards higher address locations and occupies a maximum space of 32 bytes. The GPRs are accessed via short 2-, 4- or 8-bit addressing modes using the Context Pointer (CP) register as base address (independent of the current DPP register contents). Additionally, each bit

in the currently active register bank can be accessed individually.

The ST10R163 supports fast register bank (context) switching. Multiple register banks can physically exist within the internal RAM at the same time. Only the register bank selected by the Context Pointer register (CP) is active at a given time, however. Selecting a new active register bank is simply done by updating the CP register. A particular Switch Context (SCXT) instruction performs register bank switching and an automatic saving of the previous context. The number of implemented register banks (arbitrary sizes) is only limited by the size of the available internal RAM.

Details on using, switching and overlapping register banks are described in chapter "System Programming".

Mapping of General Purpose Registers to RAM Addresses

Internal RAM Address	Byte Registers	Word Register
<CP> + 1Eh	---	R15
<CP> + 1Ch	---	R14
<CP> + 1Ah	---	R13
<CP> + 18h	---	R12
<CP> + 16h	---	R11
<CP> + 14h	---	R10
<CP> + 12h	---	R9
<CP> + 10h	---	R8
<CP> + 0Eh	RH7RL7	R7
<CP> + 0Ch	RH6RL6	R6
<CP> + 0Ah	RH5RL5	R5
<CP> + 08h	RH4RL4	R4
<CP> + 06h	RH3RL3	R3
<CP> + 04h	RH2RL2	R2
<CP> + 02h	RH1RL1	R1
<CP> + 00h	RH0RL0	R0

INTERNAL RAM AND SFR AREA(Cont'd)

PEC Source and Destination Pointers

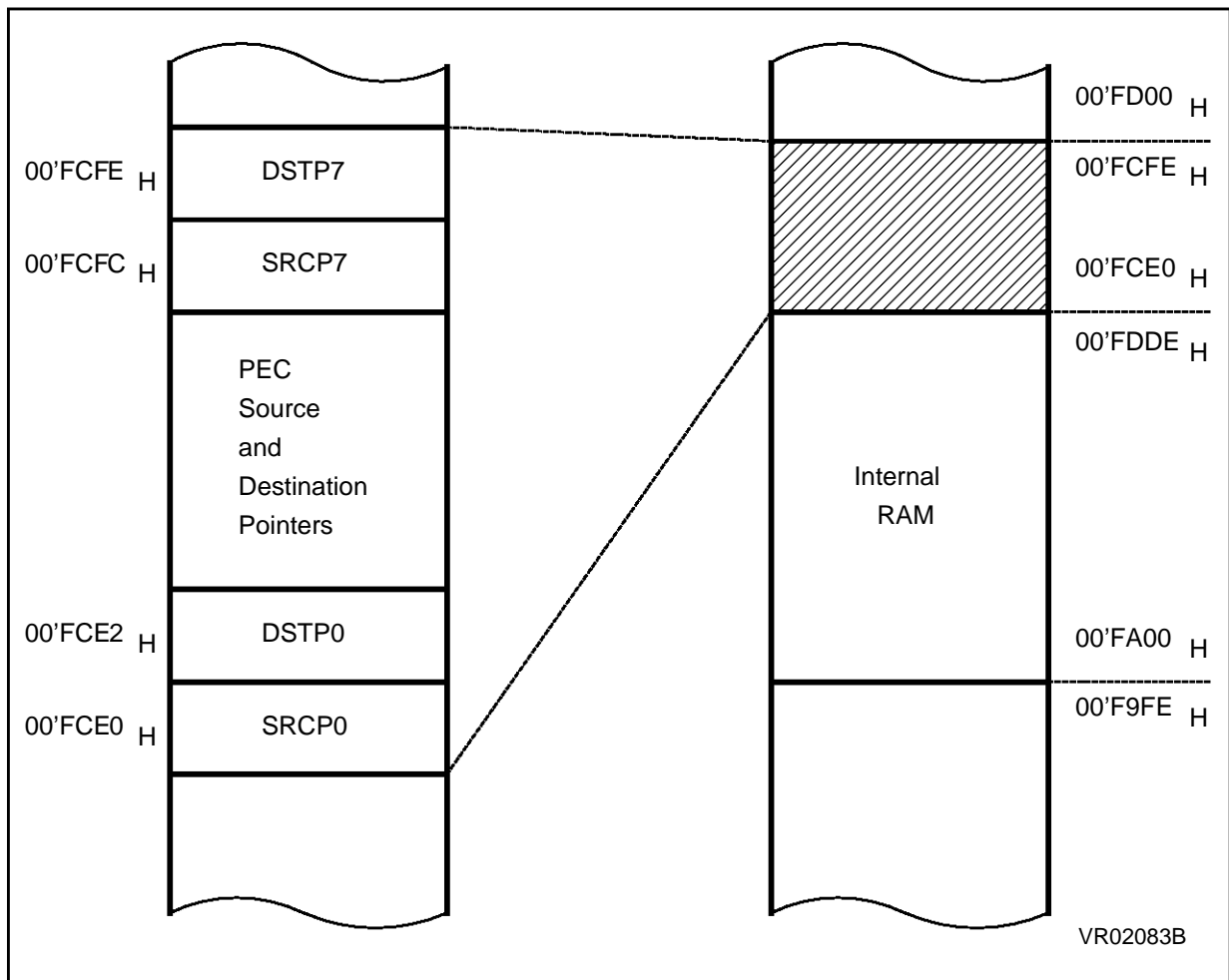
The 16 word locations in the internal RAM from 00'FCE0h to 00'FCFEh (just below the bit-addressable section) are provided as source and destination address pointers for data transfers on the eight PEC channels. Each channel uses a pair of pointers stored in two subsequent word locations with the source pointer (SRCPx) on the lower and the destination pointer (DSTPx) on the higher word address (x = 7...0).

Whenever a PEC data transfer is performed, the pair of source and destination pointers, which is

selected by the specified PEC channel number, is accessed independent of the current DPP register contents and also the locations referred to by these pointers are accessed independent of the current DPP register contents. If a PEC channel is not used, the corresponding pointer locations area available and can be used for word or byte data storage.

For more details about the use of the source and destination pointers for PEC data transfers see section "Interrupt and Trap Functions".

Figure 2-4. Location of the PEC Pointers



INTERNAL RAM AND SFR AREA(Cont'd)

Special Function Registers

The functions of the CPU, the bus interface, the IO ports and the on-chip peripherals of the ST10R163 are controlled via a number of Special Function Registers (SFRs). These SFRs are arranged within two areas of 512 Byte size each. The first register block, the SFR area, is located in the 512 Bytes above the internal RAM (00'FFFFh...00'FE00h), the second register block, the Extended SFR (ESFR) area, is located in the 512 Bytes below the internal RAM (00'F1FFh...00'F000h).

Special function registers can be addressed via indirect and long 16-bit addressing modes. Using an 8-bit offset together with an implicit base address allows to address word SFRs and their respective low bytes. However, this **does not work** for the respective high bytes!

Note: Writing to any byte of an SFR causes the non-addressed complementary byte to be cleared!

The upper half of each register block is bit-addressable, so the respective control/status bits can directly be modified or checked using bit addressing.

When accessing registers in the ESFR area using 8-bit addresses or direct bit addressing, an Extend Register (EXTR) instruction is required before, to switch the short addressing mechanism from the standard SFR area to the Extended SFR area. This is not required for 16-bit and indirect addresses. The GPRs R15...R0 are duplicated, ie. they are accessible within both register blocks via short 2-, 4- or 8-bit addresses without switching.

Example:

```
EXTR    #4
;Switch to ESFR area for the next 4
instructions
MOV     ODP2, #data16
```

```
;ODP2 uses 8-bit reg addressing
BFLDL   DP6, #mask, #data8
;Bit addressing for bit fields
BSET    DP1H.7
;Bit addressing for single bits
MOV     T8REL, R1
;T8REL uses 16-bit address, R1 is
duplicated...
;...and also accessible via the ESFR
mode
;(EXTR is not required for this
access)
;-----;-----
;The scope of the EXTR #4 instruction
ends here!
MOV     T8REL, R1
;T8REL uses 16-bit address, R1 is
duplicated...
;...and does not require switching
```

In order to minimize the use of the EXTR instructions the ESFR area mostly holds registers which are mainly required for initialization and mode selection. Registers that need to be accessed frequently are allocated to the standard SFR area, wherever possible.

Note: The development tools are equipped to monitor accesses to the ESFR area and will automatically insert EXTR instructions, or issue a warning in case of missing or excessive EXTR instructions.

2 - MEMORY ORGANIZATION (ST10R163)

2.2 EXTERNAL MEMORY SPACE

The ST10R163 is capable of using an address space of up to 16 MByte. Only parts of this address space are occupied by internal memory areas. All addresses which are not used for on-chip RAM, for registers or internal Xperipherals may reference external memory locations. This external memory is accessed via the ST10R163's external bus interface.

Four memory bank sizes are supported:

- Non-segmented mode: 64KByte with A15...A0 on PORT0 or PORT1
- 2-bit segmented mode: 256 KByte with A17...A16 on Port 4 and A15...A0 on PORT0 or PORT1
- 4-bit segmented mode: 1 MByte with A19...A16 on Port 4 and A15...A0 on PORT0 or PORT1
- 8-bit segmented mode: 16 MByte with A23...A16 on Port 4 and A15...A0 on PORT0 or PORT1

Each bank can be directly addressed via the address bus, while the programmable chip select signals can be used to select various memory banks.

The ST10R163 also supports **four different bus types**:

- Multiplexed 16-bit Bus, with address and data on PORT0 (Default after Reset)
- Multiplexed 8-bit Bus, with address and data on PORT0/P0L
- Demultiplexed 16-bit Bus, with address on PORT1 and data on PORT0
- Demultiplexed 8-bit Bus, with address on PORT1 and data on P0L

Memory model and bus mode are selected during reset by pin E \bar{A} and PORT0 pins. For further details about the external bus configuration and control please refer to chapter "The External Bus Interface".

External word and byte data can only be accessed via indirect or long 16-bit addressing modes using one of the four DPP registers. There is no short addressing mode for external operands. Any word data access is made to an even byte address.

For PEC data transfers the external memory in segment 0 can be accessed independent of the contents of the DPP registers via the PEC source and destination pointers.

The external memory is not provided for single bit storage and therefore it is not bit addressable.

2.3 CROSSING MEMORY BOUNDARIES

The address space of the ST10R163 is implicitly divided into equally sized blocks of different granularity and into logical memory areas. Crossing the boundaries between these blocks (code or data) or areas requires special attention to ensure that the controller executes the desired operations.

Memory Areas are partitions of the address space that represent different kinds of memory (if provided at all). These memory areas are the internal RAM/SFR area, and the external memory. Accessing subsequent **data** locations that belong to different memory areas is no problem. However, when executing **code**, the different memory areas must be switched explicitly via branch instructions. Sequential boundary crossing is not supported and leads to erroneous results.

Note: Changing from the external memory area to the internal RAM/SFR area takes place within segment 0.

Segments are contiguous blocks of 64 KByte each. They are referenced via the code segment pointer CSP for code fetches and via an explicit segment number for data accesses overriding the standard DPP scheme.

During code fetching segments are not changed automatically, but rather must be switched explicitly. The instructions JMPS, CALLS and RETS will do this.

In larger sequential programs make sure that the highest used code location of a segment contains an unconditional branch instruction to the respective following segment, to prevent the prefetcher from trying to leave the current segment.

Data Pages are contiguous blocks of 16 KByte each. They are referenced via the data page pointers DPP3...0 and via an explicit data page number for data accesses overriding the standard DPP scheme. Each DPP register can select one of the possible 1024 data pages. The DPP register that is used for the current access is selected via the two upper bits of the 16-bit data address. Subsequent 16-bit data addresses that cross the 16 KByte data page boundaries therefore will use different data page pointers, while the physical locations need not be subsequent within memory.

3 - CENTRAL PROCESSING UNIT

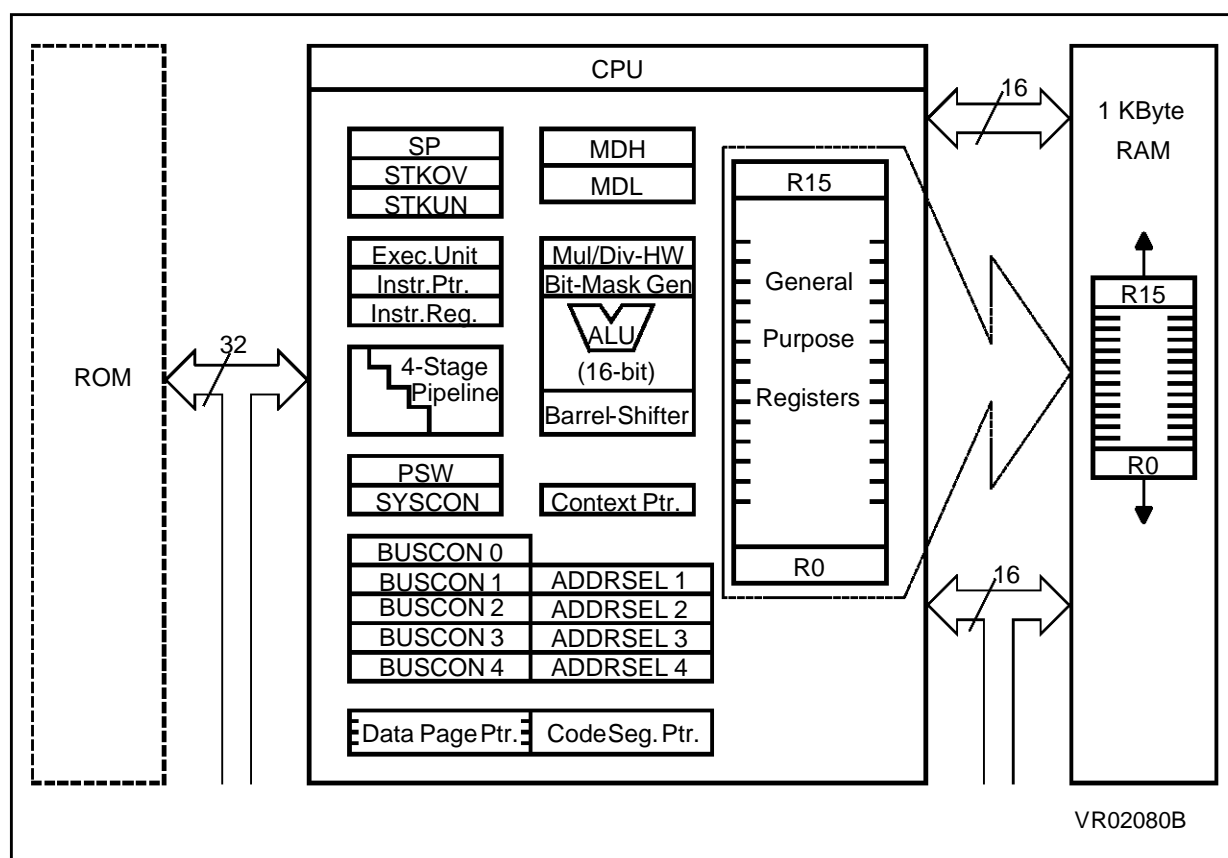
Basic tasks of the CPU are to fetch and decode instructions, to supply operands for the arithmetic and logic unit (ALU), to perform operations on these operands in the ALU, and to store the previously calculated results. As the CPU is the main engine of the ST10R163 controller, it is also affected by certain actions of the peripheral subsystem.

Since a four stage pipeline is implemented in the ST10R163, up to four instructions can be processed in parallel. Most instructions of the ST10R163 are executed in one machine cycle (ie. 100 ns @ 20 MHz CPU clock) due to this parallelism. This chapter describes how the pipeline works for sequential and branch instructions in general, and which hardware provisions have been made to speed the execution of jump in-

structions in particular. The general instruction timing is described including standard and exceptional timing.

While internal memory accesses are normally performed by the CPU itself, external peripheral or memory accesses are performed by a particular on-chip External Bus Controller (EBC), which is automatically invoked by the CPU whenever a code or data address refers to the external address space. If possible, the CPU continues operating while an external memory access is in progress. If external data are required but are not yet available, or if a new external memory access is requested by the CPU, before a previous access has been completed, the CPU will be held by the EBC until the request can be satisfied. The EBC is described in a dedicated chapter.

Figure 3-1. CPU Block Diagram



3 - CENTRAL PROCESSING UNIT (ST10R163)

The on-chip peripheral units of the ST10R163 work nearly independently of the CPU with a separate clock generator. Data and control information is interchanged between the CPU and these peripherals via Special Function Registers (SFRs). Whenever peripherals need a non-deterministic CPU action, an on-chip Interrupt Controller compares all pending peripheral service requests against each other and prioritizes one of them. If the priority of the current CPU operation is lower than the priority of the selected peripheral request, an interrupt will occur.

Basically, there are two types of interrupt processing:

- **Standard interrupt processing** forces the CPU to save the current program status and the return address on the stack before branching to the interrupt vector jump table.
- **PEC interrupt processing** steals just one machine cycle from the current CPU activity to perform a single data transfer via the on-chip Peripheral Event Controller (PEC).

System errors detected during program execution (hardware traps) or an external non-maskable interrupt are also processed as standard interrupts with a very high priority.

In contrast to other on-chip peripherals, there is a closer conjunction between the watchdog timer and the CPU. If enabled, the watchdog timer expects to be serviced by the CPU within a programmable period of time, otherwise it will reset the chip. Thus, the watchdog timer is able to prevent the CPU from going totally astray when executing erroneous code. After reset, the watchdog timer starts counting automatically, but it can be disabled via software, if desired.

Beside its normal operation there are the following particular CPU states:

- **Reset state:** Any reset (hardware, software, watchdog) forces the CPU into a predefined active state.
- **IDLE state:** The clock signal to the CPU itself is switched off, while the clocks for the on-chip peripherals keep running.
- **POWER DOWN state:** All of the on-chip clocks are switched off.

A transition into an active CPU state is forced by an interrupt (if being IDLE) or by a reset (if being in POWER DOWN mode).

The IDLE, POWER DOWN and RESET states can be entered by particular ST10R163 system control instructions.

A set of Special Function Registers is dedicated to the functions of the CPU core:

- General System Configuration: **SYSCON (RP0H)**

- CPU Status Indication and Control **PSW**
- Code Access Control **IP, CSP**
- Data Paging Control **DPP0, DPP1, DPP2, DPP3**
- GPRs Access Control: **CP**
- System Stack Access Control **SP, STKUN, STKOV**
- Multiply and Divide Support **MDL, MDH, MDC**
- ALU Constants Support **ZEROS, ONES**

3.1 INSTRUCTION PIPELINING

The instruction pipeline of the ST10R163 partitions instruction processing into four stages of which each one has its individual task:

1st →FETCH:

In this stage the instruction selected by the Instruction Pointer (IP) and the Code Segment Pointer (CSP) is fetched from either the internal RAM or external memory.

2nd →DECODE:

In this stage the instructions are decoded and, if required, the operand addresses are calculated and the respective operands are fetched. For all instructions, which implicitly access the system stack, the SP register is either decremented or incremented, as specified. For branch instructions the Instruction Pointer and the Code Segment Pointer are updated with the desired branch target address (provided that the branch is taken).

3rd →EXECUTE:

In this stage an operation is performed on the previously fetched operands in the ALU. Additionally, the condition flags in the PSW register are updated as specified by the instruction. All explicit writes to the SFR memory space and all auto-increment or auto-decrement writes to GPRs used as indirect address pointers are performed during the execute stage of an instruction, too.

4th →WRITE BACK:

In this stage all external operands and the remaining operands within the internal RAM space are written back.

A particularity of the ST10R163 are the injected instructions. These injected instructions are generated internally by the machine to provide the time needed to process instructions, which cannot be processed within one machine cycle. They are automatically injected into the decode stage of the pipeline, and then they pass through the remaining stages like every standard instruction. Program interrupts are performed by means of injected instructions, too. Although these internally injected instructions will not be noticed in reality, they are introduced here to ease the explanation of the pipeline in the following.

INSTRUCTION PIPELINING (Cont'd)

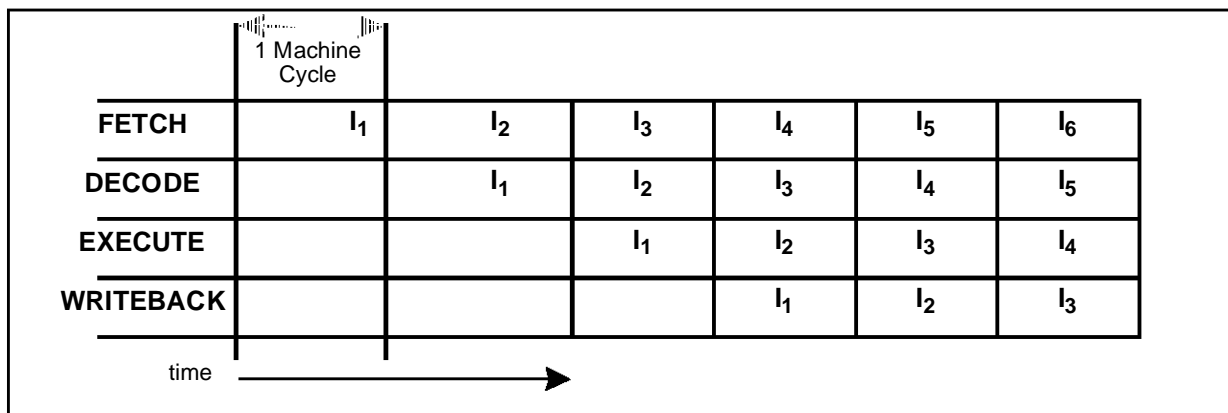
Sequential Instruction Processing

Each single instruction has to pass through each of the four pipeline stages regardless of whether all possible stage operations are really performed or not. Since passing through one pipeline stage takes at least one machine cycle, any isolated instruction takes at least four machine cycles to be completed. Pipelining, however, allows parallel (ie. simultaneous) processing of up to four instructions. Thus, most of the instructions seem to be

processed during one machine cycle as soon as the pipeline has been filled once after reset (see figure below).

Instruction pipelining increases the average instruction throughput considered over a certain period of time. In the following, any execution time specification of an instruction always refers to the average execution time due to pipelined parallel instruction processing.

Figure 3-2 Sequential Instruction Pipelining



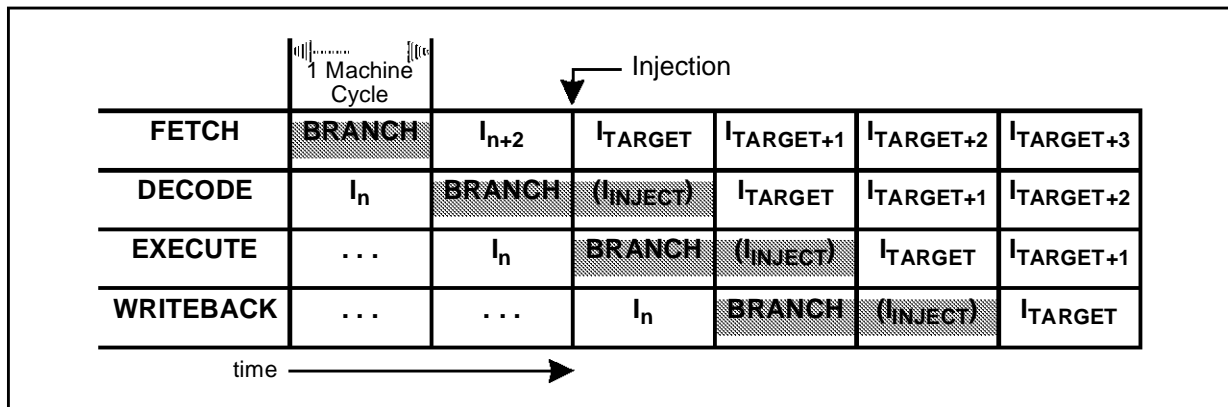
Standard Branch Instruction Processing

Instruction pipelining helps to speed sequential program processing. In the case that a branch is taken, the instruction which has already been fetched providently is mostly not the instruction which must be decoded next. Thus, at least one additional machine cycle is normally required to fetch the branch target instruction. This extra ma-

chine cycle is provided by means of an injected instruction (see figure below).

If a conditional branch is not taken, there is no deviation from the sequential program flow, and thus no extra time is required. In this case the instruction after the branch instruction will enter the decode stage of the pipeline at the beginning of the next machine cycle after decode of the conditional branch instruction.

Figure 3-3 Standard Branch Instruction Pipelining



3 - CENTRAL PROCESSING UNIT (ST10R163)

INSTRUCTION PIPELINING (Cont'd)

Cache Jump Instruction Processing

The ST10R163 incorporates a jump cache to optimize conditional jumps, which are processed repeatedly within a loop. Whenever a jump on cache is taken, the extra time to fetch the branch target instruction can be saved and thus the corresponding cache jump instruction in most cases takes only one machine cycle.

This performance is achieved by the following mechanism:

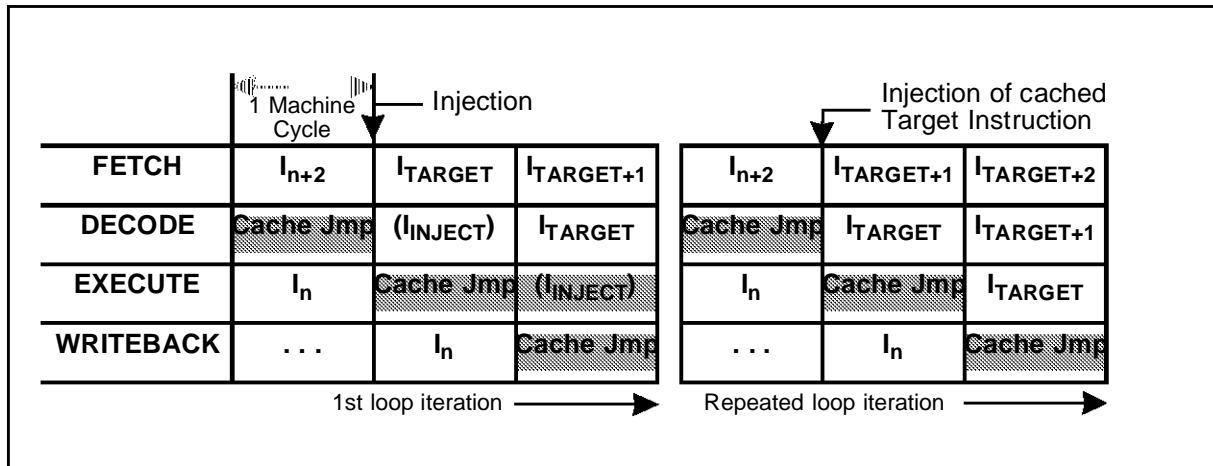
Whenever a cache jump instruction passes through the decode stage of the pipeline for the first time (and provided that the jump condition is met), the jump target instruction is fetched as usual, causing a time delay of one machine cycle. In contrast to standard branch instructions, however, the target instruction of a cache jump instruction

(JMPA, JMPR, JB, JBC, JNB, JNBS) is additionally stored in the cache after having been fetched.

After each repeatedly following execution of the same cache jump instruction, the jump target instruction is not fetched from program memory but taken from the cache and immediately injected into the decode stage of the pipeline (see figure below).

A time saving jump on cache is always taken after the second and any further occurrence of the same cache jump instruction, unless an instruction which, has the fundamental capability of changing the CSP register contents (JMPS, CALLS, RETS, TRAP, RETI), or any standard interrupt has been processed during the period of time between two following occurrences of the same cache jump instruction.

Figure 3-4. Cache Jump Instruction Pipelining



INSTRUCTION PIPELINING (Cont'd)

Particular Pipeline Effects

Since up to four different instructions are processed simultaneously, additional hardware has been spent in the ST10R163 to consider all causal dependencies which may exist on instructions in different pipeline stages without a loss of performance. This extra hardware (ie. for 'forwarding' operand read and write values) resolves most of the possible conflicts (eg. multiple usage of buses) in a time optimized way and thus avoids that the pipeline becomes noticeable for the user in most cases. However, there are some very rare cases, where the circumstance that the ST10R163 is a pipelined machine requires attention by the programmer. In these cases the delays caused by pipeline conflicts can be used for other instructions in order to optimize performance.

n Context Pointer Updating

An instruction, which calculates a physical GPR operand address via the CP register, is mostly not capable of using a new CP value, which is to be updated by an immediately preceding instruction. Thus, to make sure that the new CP value is used, at least one instruction must be inserted between a CP-changing and a subsequent GPR-using instruction, as shown in the following example:

```

In:      SCXT  CP, #0FC00h;
;select a new context

In+1:    ....
;must not be an instruction using
;a GPR

In+2:    MOV   R0, #dataX
;write to GPR 0 in the new context
    
```

n Data Page Pointer Updating

An instruction, which calculates a physical operand address via a particular DPP_n (n=0 to 3) register, is mostly not capable of using a new DPP_n register value, which is to be updated by an immediately preceding instruction. Thus, to make sure that the new DPP_n register value is used, at least one instruction must be inserted between a DPP_n-changing instruction and a subsequent instruction which implicitly uses DPP_n via a long or indirect addressing mode, as shown in the following example:

```

In:      MOV   DPP0, #4
;select data page 4 via DPP0

In+1:    ....
;must not be an instruction using DPP0

In+2:    MOV   DPP0:0000h, R1
;move contents of R1 to address
;location 01'0000h (in data page 4)
;supposed segmentation is enabled
    
```

n Explicit Stack Pointer Updating

None of the RET, RETI, RETS, RETP or POP instructions is capable of correctly using a new SP register value, which is to be updated by an immediately preceding instruction. Thus, in order to use the new SP register value without erroneously performed stack accesses, at least one instruction must be inserted between an explicitly SP-writing and any subsequent of the just mentioned implicitly SP-using instructions, as shown in the following example:

```

In:      MOV   SP, #0FA40h
;select a new top of stack

In+1:    ....
;must not be an instruction popping
;operands from the system stack

In+2:    POP   R0
;pop word value from new top of stack
;into R0
    
```

n External Memory Access Sequences

The effect described here will only become noticeable, when watching the external memory access sequences on the external bus (eg. by means of a Logic Analyzer). Different pipeline stages can simultaneously put a request on the External Bus Controller (EBC). The sequence of instructions processed by the CPU may diverge from the sequence of the corresponding external memory accesses performed by the EBC, due to the predefined priority of external memory accesses:

- 1st Write Data
- 2nd Fetch Code
- 3rd Read Data.

3 - CENTRAL PROCESSING UNIT (ST10R163)

INSTRUCTION PIPELINING (Cont'd)

n Controlling Interrupts

Software modifications (implicit or explicit) of the PSW are done in the execute phase of the respective instructions. In order to maintain fast interrupt responses, however, the current interrupt prioritization round does not consider these changes, ie. an interrupt request may be acknowledged after the instruction that disables interrupts via IEN or ILVL or after the following instructions. Time critical instruction sequences therefore should not begin directly after the instruction disabling interrupts, as shown in the following example:

```
INT_OFF:      BCLR IEN
;globally disable interrupts

                IN-1
;non-critical instruction

CRIT_1ST :    IN
;begin of uninterruptable critical
;sequence
. . .
CRIT_LAST:   IN+x
;end of uninterruptable critical
;sequence

INT_ON:      BSET IEN
;globally re-enable interrupts
```

Note: The described delay of 1 instruction also applies for enabling the interrupts system ie. no interrupt requests are acknowledged until the instruction following the enabling instruction.

n Initialization of Port Pins

Modifications of the direction of port pins (input or output) become effective only after the instruction following the modifying instruction. As bit instructions (BSET, BCLR) use internal read-modify-write sequences accessing the whole port, instructions modifying the port direction should be followed by an instruction that does not access the same port (see example below).

```
WRONG:      BSET DP3.13;
;change direction of P3.13 to output

                BSET P3.5 ;
;P3.13 is still input, the rd-mod-wr
;reads pin P3.13

RIGHT:     BSET DP3.13;
;change direction of P3.13 to output
```

NOP

```
;any instruction not accessing port 3

                BSET P3.5 ;
;P3.13 is now output, the rd-mod-wr
;reads the P3.13 output latch
```

n Changing the System Configuration

The instruction following an instruction that changes the system configuration via register SYSCON (eg. segmentation, stack size) cannot use the new resources (eg. stack). In these cases an instruction that does not access these resources should be inserted.

n BUSCON/ADDRSEL

The instruction following an instruction that changes the properties of an external address area cannot access operands within the new area. In these cases an instruction that does not access this address area should be inserted. Code accesses to the new address area should be made after an absolute branch to this area.

Note: As a rule, instructions that change external bus properties should not be executed from the respective external memory area.

n Updating the Stack Pointer

An instruction that changes the contents of the stack pointer SP (MOV, ADD, SUB) may not be followed directly by an instruction that implicitly uses the SP, ie. a POP or RETURN instruction. To ensure proper operation an instruction should be inserted that does not use the stack pointer.

n Timing

Instruction pipelining reduces the average instruction processing time in a wide scale (from four to one machine cycles, mostly). However, there are some rare cases, where a particular pipeline situation causes the processing time for a single instruction to be extended either by a half or by one machine cycle. Although this additional time represents only a tiny part of the total program execution time, it might be of interest to avoid these pipeline-caused time delays in time critical program modules.

Besides a general execution time description, the following section provides some hints on how to optimize time-critical program parts with regard to such pipeline-caused timing particularities.

3.2 BIT-HANDLING AND BIT-PROTECTION

The ST10R163 provides several mechanisms to manipulate bits. These mechanisms either manipulate software flags within the internal RAM, control on-chip peripherals via control bits in their respective SFRs or control IO functions via port pins.

The instructions BSET, BCLR, BAND, BOR, BXOR, BMOV, BMOVN explicitly set or clear specific bits. The instructions BFLDL and BFLDH allow to manipulate up to 8 bits of a specific byte at one time. The instructions JBC and JNBS implicitly clear or set the specified bit when the jump is taken. The instructions JB and JNB (also conditional jump instructions that refer to flags) evaluate the specified bit to determine if the jump is to be taken.

Note: Bit operations on undefined bit locations will always read a bit value of '0', while the write access will not affect the respective bit location.

All instructions that manipulate single bits or bit groups internally use a read-modify-write sequence that accesses the whole word, which contains the specified bit(s).

This method has several consequences:

- Bits can only be modified within the internal address areas, ie. internal RAM and SFRs. External locations cannot be used with bit instructions.

The upper 256 bytes of the SFR area, the ESFR area and the internal RAM are bit-addressable (see chapter "Memory Organization"), ie. those register bits located within the respective sections can be directly manipulated using bit instructions.

The other SFRs must be accessed byte/word wise.

Note: All GPRs are bit-addressable independent of the allocation of the register bank via the context pointer CP. Even GPRs which are allocated to not bit-addressable RAM locations provide this feature.

- The read-modify-write approach may be critical with hardware-effected bits. In these cases the hardware may change specific bits while the read-modify-write operation is in progress, where the writeback would overwrite the new bit value generated by the hardware. The solution is either the implemented hardware protection (see below) or realized through special programming (see "Particular Pipeline Effects").

Protected bits are not changed during the read-modify-write sequence, ie. when hardware sets eg. an interrupt request flag between the read and the write of the read-modify-write sequence. The hardware protection logic guarantees that only the intended bit(s) is/are affected by the write-back operation.

Note: If a conflict occurs between a bit manipulation generated by hardware and an intended software access the software access has priority and determines the final value of the respective bit.

A summary of the protected bits implemented in the ST10R163 can be found at the end of chapter "Architectural Overview".

3 - CENTRAL PROCESSING UNIT (ST10R163)

3.3 INSTRUCTION STATE TIMES

Basically, the time to execute an instruction depends on where the instruction is fetched from, and where possible operands are read from or written to. The fastest processing mode of the ST10R163 is to execute a program fetched from fast external memory (no wait states), using a 16-bit demultiplexed bus. In that case most of the instructions can be processed within just one machine cycle, which is also the general minimum execution time.

All external memory accesses are performed by the ST10R163's on-chip External Bus Controller (EBC), which works in parallel with the CPU.

This section summarizes the execution times in a very condensed way. A detailed description of the execution times for the various instructions and the specific exceptions can be found in the “**ST10 Family Programming Manual**”.

The table below shows the minimum execution times required to process a ST10R163 instruction fetched from the internal RAM or from external memory. These execution times apply to most of

the ST10R163 instructions - except some of the branches, the multiplication and the division instructions and a special move instruction. The numbers in the table are in units of [ns], refer to a CPU clock of 20 MHz and assume no waitstates.

Execution from the internal RAM provides flexibility in terms of loadable and modifiable code on the account of execution time.

Execution from external memory strongly depends on the selected bus mode and the programming of the bus cycles (waitstates).

The operand and instruction accesses listed below can extend the execution time of an instruction:

- Internal RAM operand reads via indirect addressing modes
- Internal SFR operand reads immediately after writing
- External operand reads
- External operand writes
- Testing Branch Conditions immediately after PSW writes

Minimum Execution Times

Memory Area	Instruction Fetch		Word Operand Access	
	Word Instruction	Double word Instruction	Read from	Write to
Internal RAM	300	400	0/50	0
16-bit Demux Bus	100	200	100	100
16-bit Mux Bus	150	300	150	150
8-bit Demux Bus	200	400	200	200
8-bit Mux Bus	300	600	300	300

3.4 CPU SPECIAL FUNCTION REGISTERS

The core CPU requires a set of Special Function Registers (SFRs) to maintain the system state information, to supply the ALU with register-addressable constants and to control system and bus configuration, multiply and divide ALU operations, code memory segmentation, data memory paging, and accesses to the General Purpose Registers and the System Stack.

The access mechanism for these SFRs in the CPU core is identical to the access mechanism for any other SFR. Since all SFRs can simply be controlled by means of any instruction, which is capable of addressing the SFR memory space, a lot of flexibility has been gained, without the need to create a set of system-specific instructions.

Note, however, that there are user access restrictions for some of the CPU core SFRs to ensure proper processor operations. The instruction pointer IP and code segment pointer CSP cannot be accessed directly at all. They can only be changed indirectly via branch instructions.

The PSW, SP, and MDC registers can be modified not only explicitly by the programmer, but also implicitly by the CPU during normal instruction processing. Note that any explicit write request (via software) to an SFR supersedes a simultaneous modification by hardware of the same register.

Note: Any write operation to a single byte of an SFR clears the non-addressed complementary byte within the specified SFR.

Non-implemented (reserved) SFR bits cannot be modified, and will always supply a read value of '0'.

The System Configuration Register SYSCON

This bit-addressable register provides general system configuration and control functions. The reset value for register SYSCON depends on the state of the PORT0 pins during reset.

SYSCON (FF12h / 89h)

SFR

Reset Value: 0XX0h

15	14	13	12	11	10	9	8	7	6	5	4	3	2	1	0
STKSZ		ROM S1	SGT DIS	ROM EN	BYT DIS	CLK EN	WR CFG	-	-	-	-	SSP EN	VISIBL	XPER-SHARE	
rw		rw	rw	rw	rw	rw	rw	-	-	-	-	rw	rw	rw	

3 - CENTRAL PROCESSING UNIT (ST10R163)

CPU SPECIAL FUNCTION REGISTERS(Cont'd)

Bit	Function
XPER-SHARE	XBUS Peripheral Share Mode Control '0': External accesses to XBUS peripherals are disabled '1': XBUS peripherals are accessible via the external bus during hold mode.
VISIBLE	Visible Mode Control '0': Accesses to XBUS peripherals are done internally '1': XBUS peripheral accesses are made visible on the external pins.
SSPEN	Xperipheral SSP Enable Control '0': SSP is disabled. Pins P4.[7..4] are general purpose IOs or segment address lines '1': SSP is enabled. Pins P4.[7..4] are SSP IOs or segment address lines
WRCFG	Write Configuration Control (Set according to pin P0H.0 during reset) '0': Pins \overline{WR} and \overline{BHE} retain their normal function '1': Pin \overline{WR} acts as \overline{WRL} , pin \overline{BHE} acts as \overline{WRH}
CLKEN	System Clock Output Enable (CLKOUT) '0': CLKOUT disabled: pin may be used for general purpose IO '1': CLKOUT enabled: pin outputs the system clock signal
BYTDIS	Disable/Enable Control for Pin BHE (Set according to data bus width) '0': Pin BHE enabled '1': Pin BHE disabled, pin may be used for general purpose IO
ROMEN	Internal ROM Enable (Set according to pin \overline{EA} during reset) '0': Internal ROM disabled: accesses to the ROM area use the external bus '1': Internal ROM enabled This bit is not relevant on the ST10R163 since it does not include internal ROM. It should be kept to 0
SGTDIS	Segmentation Disable/Enable Control '0': Segmentation enabled (CSP is saved/restored during interrupt entry/exit) '1': Segmentation disabled (Only IP is saved/restored)
ROMS1	Internal ROM Mapping '0': Internal ROM area mapped to segment 0 (00'0000h...00'7FFFh) '1': Internal ROM area mapped to segment 1 (01'0000h...01'7FFFh) This bit is not relevant on the ST10R165 since it does not include internal ROM. It should be kept to 0.
STKSZ	System Stack Size Selects the size of the system stack (in the internal RAM) from 32 to 1024 words

Note: Register SYSCON cannot be changed after execution of the EINIT instruction.

The function of bits XPER-SHARE, VISIBLE, WRCFG, BYTDIS, ROMEN and ROMS1 is described in more detail in chapter "The External Bus Controller".

CPU SPECIAL FUNCTION REGISTERS(Cont'd)

System Clock Output Enable (CLKEN)

The system clock output function is enabled by setting bit CLKEN in register SYSCON to '1'. If enabled, port pin P3.15 takes on its alternate function as CLKOUT output pin. The clock output is a 50 % duty cycle clock whose frequency equals the CPU operating frequency ($f_{OUT} = f_{CPU}$).

Note: The output driver of port pin P3.15 is switched on automatically, when the CLKOUT function is enabled. The port direction bit is disregarded.

After reset, the clock output function is disabled (CLKEN = '0').

Segmentation Disable/Enable Control (SGT-DIS)

Bit SGTDIS allows to select either the segmented or non-segmented memory mode.

In non-segmented memory mode(SGTDIS='1') it is assumed that the code address space is restricted to 64 KBytes (segment 0) and thus 16 bits are sufficient to represent all code addresses. For implicit stack operations (CALL or RET) the CSP register is totally ignored and only the IP is saved to and restored from the stack.

In segmented memory mode(SGTDIS='0') it is assumed that the whole address space is available for instructions. For implicit stack operations (CALL or RET) the CSP register and the IP are saved to and restored from the stack. After reset the segmented memory mode is selected.

Note: Bit SGTDIS controls if the CSP register is pushed onto the system stack in addition to the IP register before an interrupt service routine is entered, and it is repopped when the interrupt service routine is left again.

System Stack Size (STKSZ)

This bitfield defines the size of the physical system stack, which is located in the internal RAM of the ST10R163. An area of 32...512 words or all of the internal RAM may be dedicated to the system stack. A "circular stack" mechanism allows to use a bigger virtual stack than this dedicated RAM area.

These techniques as well as the encoding of bit-field STKSZ are described in more detail in chapter "System Programming".

3 - CENTRAL PROCESSING UNIT (ST10R163)

CPU SPECIAL FUNCTION REGISTERS(Cont'd)

The Processor Status Word PSW

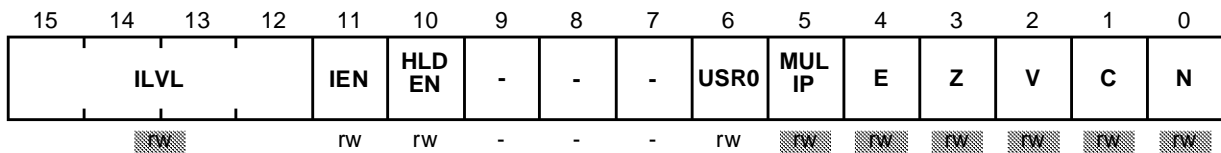
This bit-addressable register reflects the current state of the microcontroller. Two groups of bits represent the current ALU status, and the current

CPU interrupt status. A separate bit (USR0) within register PSW is provided as a general purpose user flag.

PSW (FF10h / 88h)

SFR

Reset Value: 0000h



Bit	Function
N	Negative Result Set, when the result of an ALU operation is negative.
C	Carry Flag Set, when the result of an ALU operation produces a carry bit.
V	Overflow Result Set, when the result of an ALU operation produces an overflow.
Z	Zero Flag Set, when the result of an ALU operation is zero.
E	End of Table Flag Set, when the source operand of an instruction is 8000h or 80h.
MULIP	Multiplication/Division In Progress '0': There is no multiplication/division in progress. '1': A multiplication/division has been interrupted.
USR0	User General Purpose Flag May be used by the application software.
HLDEN, ILVL, IEN	Interrupt and EBC Control Fields Define the response to interrupt requests and enable external bus arbitration. (Described in section "Interrupt and Trap Functions")

CPU SPECIAL FUNCTION REGISTERS(Cont'd)

ALU Status (N, C, V, Z, E, MULIP)

The condition flags (N, C, V, Z, E) within the PSW indicate the ALU status due to the last recently performed ALU operation. They are set by most of the instructions due to specific rules, which depend on the ALU or data movement operation performed by an instruction.

After execution of an instruction which explicitly updates the PSW register, the condition flags cannot be interpreted as described in the following, because any explicit write to the PSW register supersedes the condition flag values, which are implicitly generated by the CPU. Explicitly reading the PSW register supplies a read value which represents the state of the PSW register after execution of the immediately preceding instruction.

Note: After reset, all of the ALU status bits are cleared.

• **N-Flag:** For most of the ALU operations, the N-flag is set to '1', if the most significant bit of the result contains a '1', otherwise it is cleared. In the case of integer operations the N-flag can be interpreted as the sign bit of the result (negative: N='1', positive: N='0'). Negative numbers are always represented as the 2's complement of the corresponding positive number. The range of signed numbers extends from '-800h' to '+7FFFh' for the word data type, or from '-80h' to '+7Fh' for the byte data type. For Boolean bit operations with only one operand the N-flag represents the previous state of the specified bit. For Boolean bit operations with two operands the N-flag represents the logical XORing of the two specified bits.

• **C-Flag:** After an addition the C-flag indicates that a carry from the most significant bit of the specified word or byte data type has been generated. After a subtraction or a comparison the C-flag indicates a borrow, which represents the logical negation of a carry for the addition.

This means that the C-flag is set to '1', if no carry from the most significant bit of the specified word or byte data type has been generated during a subtraction, which is performed internally by the ALU as a 2's complement addition, and the C-flag is cleared when this complement addition caused a carry.

The C-flag is always cleared for logical, multiply and divide ALU operations, because these operations cannot cause a carry anyhow.

For shift and rotate operations the C-flag represents the value of the bit shifted out last. If a shift

count of zero is specified, the C-flag will be cleared. The C-flag is also cleared for a prioritize ALU operation, because a '1' is never shifted out of the MSB during the normalization of an operand.

For Boolean bit operations with only one operand the C-flag is always cleared. For Boolean bit operations with two operands the C-flag represents the logical ANDing of the two specified bits.

• **V-Flag:** For addition, subtraction and 2's complementation the V-flag is always set to '1', if the result overflows the maximum range of signed numbers, which are representable by either 16 bits for word operations ('-800h' to '+7FFFh'), or by 8 bits for byte operations ('-80h' to '+7Fh'), otherwise the V-flag is cleared. Note that the result of an integer addition, integer subtraction, or 2's complement is not valid, if the V-flag indicates an arithmetic overflow.

For multiplication and division the V-flag is set to '1', if the result cannot be represented in a word data type, otherwise it is cleared. Note that a division by zero will always cause an overflow. In contrast to the result of a division, the result of a multiplication is valid regardless of whether the V-flag is set to '1' or not.

Since logical ALU operations cannot produce an invalid result, the V-flag is cleared by these operations.

The V-flag is also used as 'Sticky Bit' for rotate right and shift right operations. With only using the C-flag, a rounding error caused by a shift right operation can be estimated up to a quantity of one half of the LSB of the result. In conjunction with the V-flag, the C-flag allows evaluating the rounding error with a finer resolution (see table below).

For Boolean bit operations with only one operand the V-flag is always cleared. For Boolean bit operations with two operands the V-flag represents the logical ORing of the two specified bits.

Shift Right Rounding Error Evaluation

C-Flag	V-Flag	Rounding Error Quantity
0	0	- No rounding error -
0	1	0 < Rounding error < $\frac{1}{2}$ LSB
1	0	Rounding error = $\frac{1}{2}$ LSB
1	1	Rounding error > $\frac{1}{2}$ LSB

CPU SPECIAL FUNCTION REGISTERS(Cont'd)

- **Z-Flag:** The Z-flag is normally set to '1', if the result of an ALU operation equals zero, otherwise it is cleared.

For the addition and subtraction with carry the Z-flag is only set to '1', if the Z-flag already contains a '1' and the result of the current ALU operation additionally equals zero. This mechanism is provided for the support of multiple precision calculations.

For Boolean bit operations with only one operand the Z-flag represents the logical negation of the previous state of the specified bit. For Boolean bit operations with two operands the Z-flag represents the logical NORing of the two specified bits. For the prioritize ALU operation the Z-flag indicates, if the second operand was zero or not.

- **E-Flag:** The E-flag can be altered by instructions, which perform ALU or data movement operations. The E-flag is cleared by those instructions which cannot be reasonably used for table search operations. In all other cases the E-flag is set depending on the value of the source operand to signify whether the end of a search table is reached or not. If the value of the source operand of an instruction equals the lowest negative number, which is representable by the data format of the corresponding instruction ('800h' for the word data type, or '80h' for the byte data type), the E-flag is set to '1', otherwise it is cleared.

- **MULIP-Flag:** The MULIP-flag will be set to '1' by hardware upon the entrance into an interrupt service routine, when a multiply or divide ALU operation was interrupted before completion. Depending on the state of the MULIP bit, the hardware de-

terminates whether a multiplication or division must be continued or not after the end of an interrupt service. The MULIP bit is overwritten with the contents of the stacked MULIP-flag when the return-from-interrupt-instruction (RETI) is executed. This normally means that the MULIP-flag is cleared again after that.

Note: The MULIP flag is a part of the task environment! When the interrupting service routine does not return to the interrupted multiply/divide instruction (ie. in case of a task scheduler that switches between independent tasks), the MULIP flag must be saved as part of the task environment and must be updated accordingly for the new task before this task is entered.

CPU Interrupt Status (IEN, ILVL)

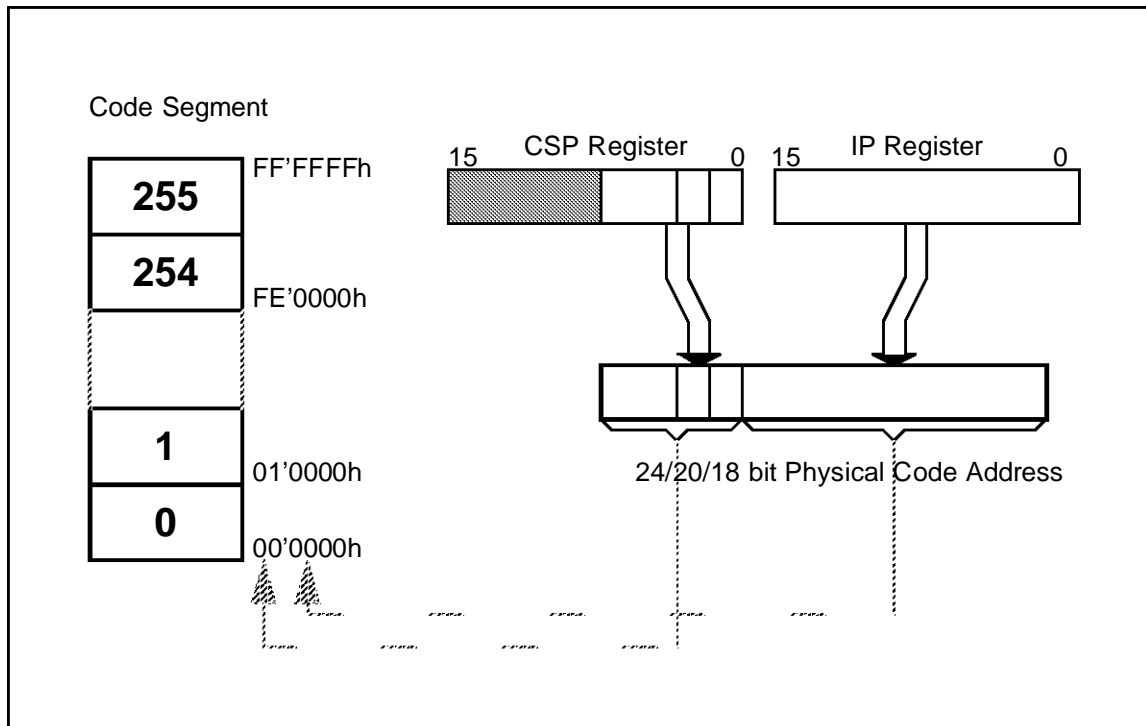
The Interrupt Enable bit allows to globally enable (IEN='1') or disable (IEN='0') interrupts. The four-bit Interrupt Level field (ILVL) specifies the priority of the current CPU activity. The interrupt level is updated by hardware upon entry into an interrupt service routine, but it can also be modified via software to prevent other interrupts from being acknowledged. In case an interrupt level '15' has been assigned to the CPU, it has the highest possible priority, and thus the current CPU operation cannot be interrupted except by hardware traps or external non-maskable interrupts. For details please refer to chapter "Interrupt and Trap Functions".

After reset all interrupts are globally disabled, and the lowest priority (ILVL=0) is assigned to the initial CPU activity.

3 - CENTRAL PROCESSING UNIT (ST10R163)

CPU SPECIAL FUNCTION REGISTERS(Cont'd)

Figure 3-5. Addressing via the Code Segment Pointer



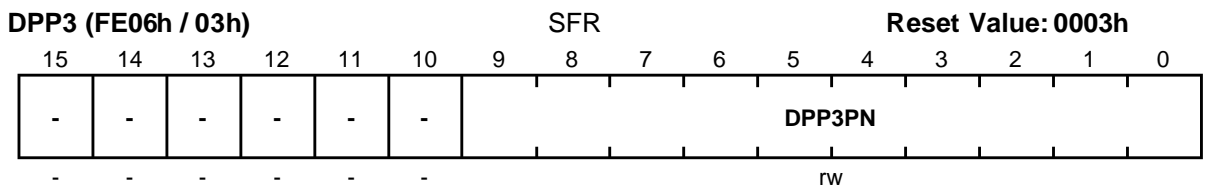
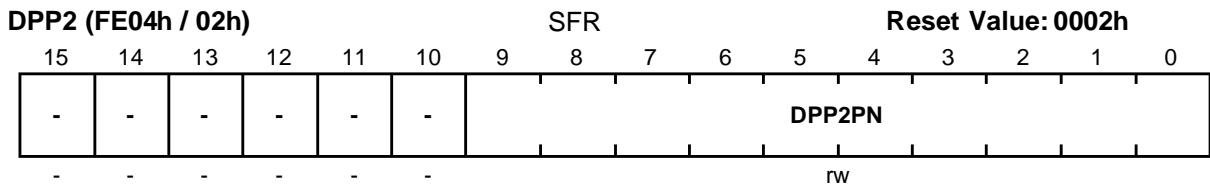
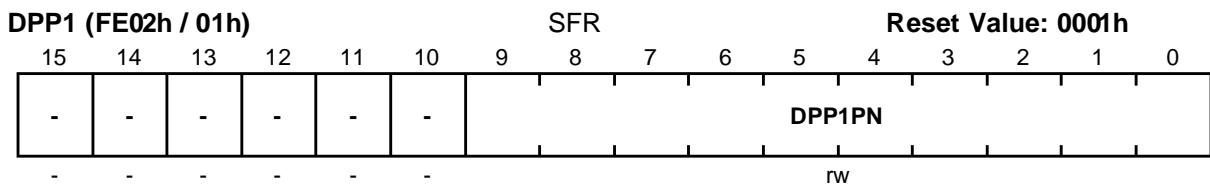
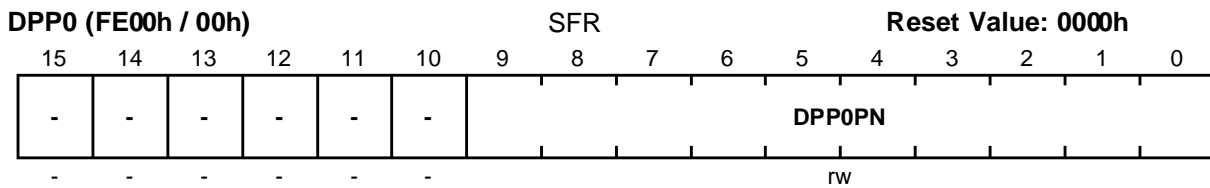
Note: When segmentation is disabled, the IP value is used directly as the 16-bit address.

CPU SPECIAL FUNCTION REGISTERS(Cont'd)

The Data Page Pointers DPP0, DPP1, DPP2, DPP3

These four non-bit addressable registers select up to four different data pages being active simultaneously at run-time. The lower 10 bits of each DPP register select one of the 1024 possible 16-Kbyte data pages while the upper 6 bits are reserved for future use. The DPP registers allow to access the entire memory space in pages of 16 Kbytes each.

The DPP registers are implicitly used, whenever data accesses to any memory location are made via indirect or direct long 16-bit addressing modes (except for override accesses via EXTended instructions and PEC data transfers). After reset, the Data Page Pointers are initialized in a way that all indirect or direct long 16-bit addresses result in identical 18-bit addresses. This allows to access data pages 3...0 within segment 0 as shown in the figure below. If the user does not want to use any data paging, no further action is required.



Bit	Function
DPPxPN	Data Page Number of DPPx Specifies the data page selected via DPPx. Only the least significant two bits of DPPx are significant when segmentation is disabled.

3 - CENTRAL PROCESSING UNIT (ST10R163)

CPU SPECIAL FUNCTION REGISTERS(Cont'd)

Data paging is performed by concatenating the lower 14 bits of an indirect or direct long 16-bit address with the contents of the DPP register selected by the upper two bits of the 16-bit address. The content of the selected DPP register specifies one of the 1024 possible data pages. This data page base address together with the 14-bit page offset forms the physical 24/20/18-bit address.

In case of non-segmented memory mode, only the two least significant bits of the implicitly selected DPP register are used to generate the physical address. Thus, extreme care should be taken when changing the content of a DPP register, if a

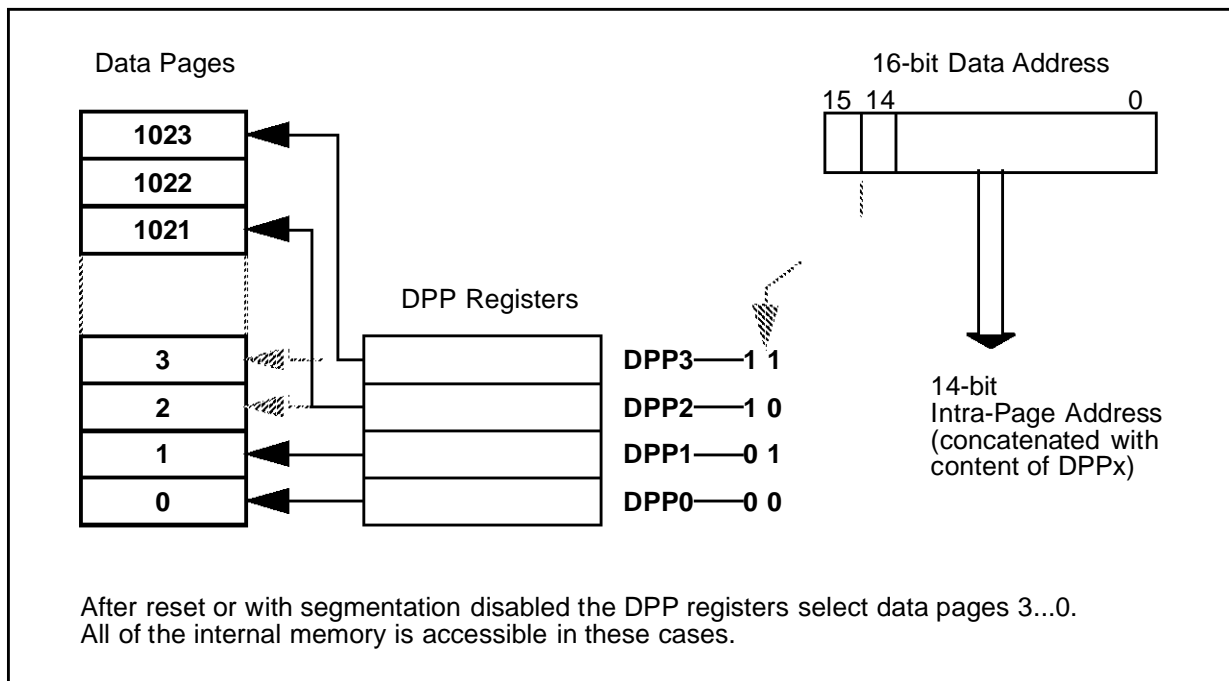
non-segmented memory model is selected, because otherwise unexpected results could occur.

In case of the segmented memory mode the selected number of segment address bits (9...2, 5...2 or 3...2) of the respective DPP register is output on the segment address pins A23/A19/A17...A16 of Port 4 for all external data accesses.

A DPP register can be updated via any instruction, which is capable of modifying an SFR.

Note: Due to the internal instruction pipeline, a new DPP value is not yet usable for the operand address calculation of the instruction immediately following the instruction updating the DPP register.

Figure 3-6. Addressing via the Data Page Pointers



CPU SPECIAL FUNCTION REGISTERS(Cont'd)

The Context Pointer CP

This non-bit addressable register is used to select the current register context. This means that the CP register value determines the address of the first General Purpose Register (GPR) within the current register bank of up to 16 worldwide and/or bytewise GPRs.

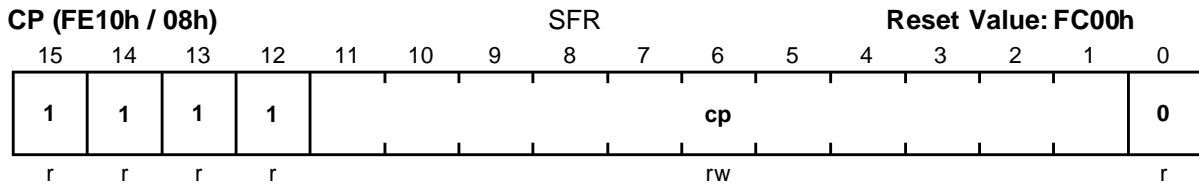
Note: It is the user's responsibility that the physical GPR address specified via CP register plus short GPR address must always be an internal RAM location. If this condition is not met, unexpected results may occur.

- Do not set CP below 00'F60h or above 00'FDFEh
- Be careful using the upper GPRs with CP above 00'FDE0h

The CP register can be updated via any instruction which is capable of modifying an SFR.

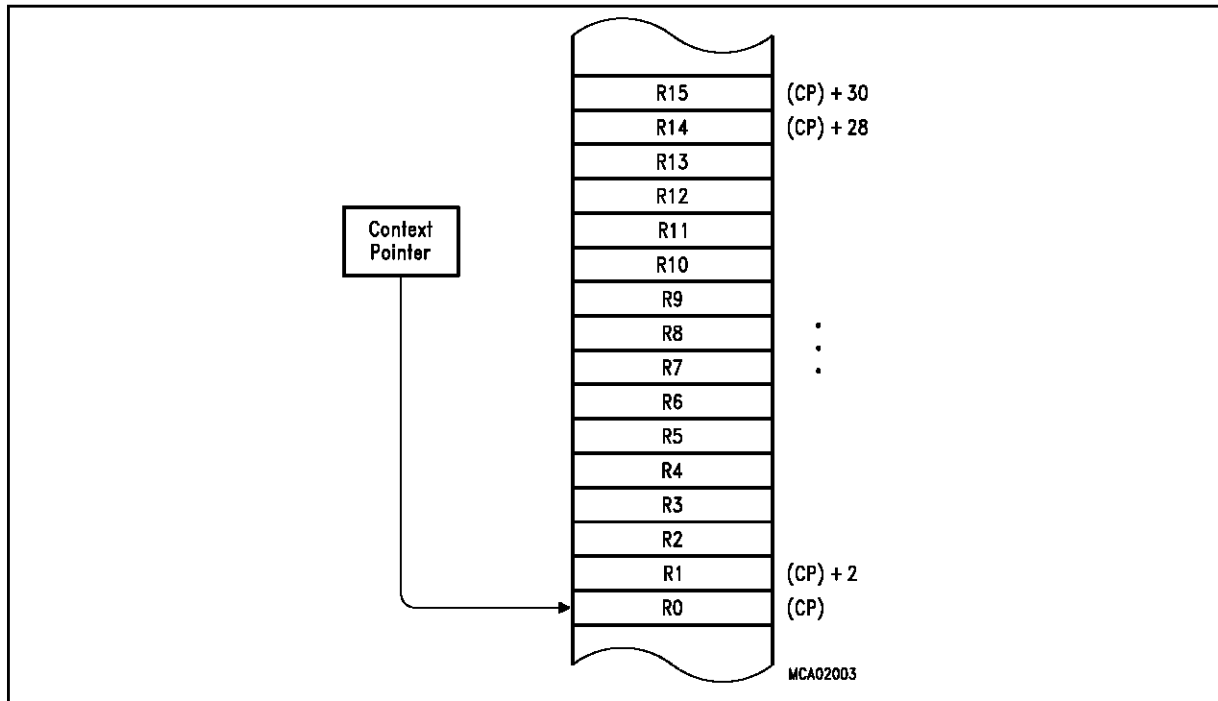
Note: Due to the internal instruction pipeline, a new CP value is not yet usable for GPR address calculations of the instruction immediately following the instruction updating the CP register.

The Switch Context instruction (SCXT) allows to save the content of register CP on the stack and updating it with a new value in just one machine cycle.



Bit	Function
cp	<p>Modifiable portion of register CP</p> <p>Specifies the (word) base address of the current register bank.</p> <p>When writing a value to register CP with bits CP.11...CP.9 = '000', bits CP.11...CP.10 are set to '11' by hardware, in all other cases all bits of bit field "cp" receive the written value.</p>

Figure 3-7 Register Bank Selection via Register CP



3 - CENTRAL PROCESSING UNIT (ST10R163)

CPU SPECIAL FUNCTION REGISTERS(Cont'd)

Several addressing modes use register CP implicitly for address calculations. The addressing modes mentioned below are described in chapter "Instruction Set Summary".

Short 4-Bit GPR Addresses (mnemonic: Rw or Rb) specify an address relative to the memory location specified by the contents of the CP register, ie. the base of the current register bank.

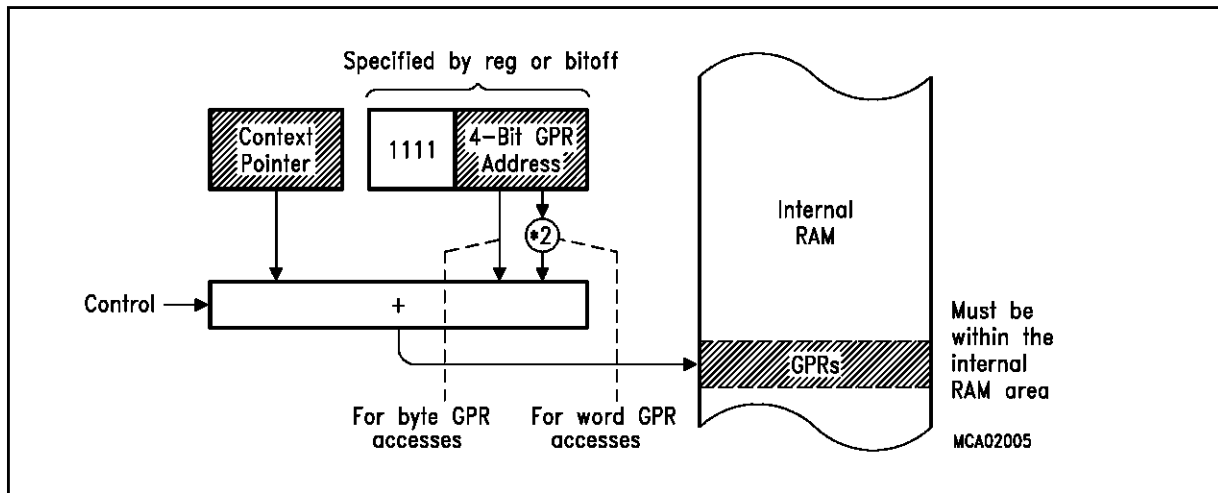
Depending on whether a relative word (Rw) or byte (Rb) GPR address is specified, the short 4-bit GPR address is either multiplied by two or not before it is added to the content of register CP (see figure below). Thus, both byte and word GPR accesses are possible in this way.

GPRs used as indirect address pointers are always accessed wordwise. For some instructions

only the first four GPRs can be used as indirect address pointers. These GPRs are specified via short 2-bit GPR addresses. The respective physical address calculation is identical to that for the short 4-bit GPR addresses.

Short 8-Bit Register Addresses (mnemonic: reg or bitoff) within a range from F0h to FFh interpret the four least significant bits as short 4-bit GPR address, while the four most significant bits are ignored. The respective physical GPR address calculation is identical to that for the short 4-bit GPR addresses. For single bit accesses on a GPR, the GPR's word address is calculated as just described, but the position of the bit within the word is specified by a separate additional 4-bit value.

Figure 3-8. Implicit CP Use by Short GPR Addressing Modes



CPU SPECIAL FUNCTION REGISTERS(Cont'd)

The Stack Pointer SP

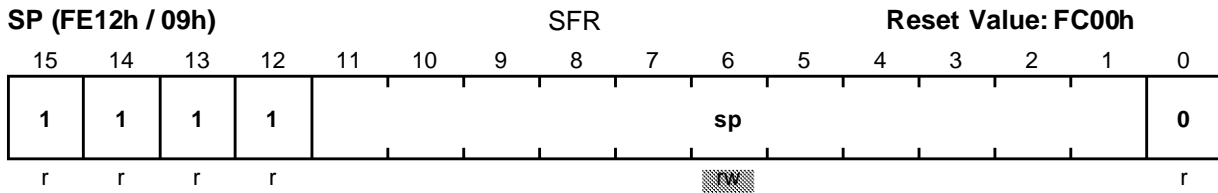
This non-bit addressable register is used to point to the top of the internal system stack (TOS). The SP register is pre-decremented whenever data is to be pushed onto the stack, and it is post-incremented whenever data is to be popped from the stack. Thus, the system stack grows from higher toward lower memory locations.

Since the least significant bit of register SP is tied to '0' and bits 15 through 12 are tied to '1' by hardware, the SP register can only contain values from

F000h to FFFEh. This allows to access a physical stack within the internal RAM of the ST10R163. A virtual stack (usually bigger) can be realized via software. This mechanism is supported by registers STKOV and STKUN (see respective descriptions below).

The SP register can be updated via any instruction, which is capable of modifying an SFR.

Note: Due to the internal instruction pipeline, a POP or RETURN instruction must not immediately follow an instruction updating the SP register.



Bit	Function
sp	Modifiable portion of register SP Specifies the top of the internal system stack.

3 - CENTRAL PROCESSING UNIT (ST10R163)

CPU SPECIAL FUNCTION REGISTERS(Cont'd)

The Stack Overflow Pointer STKOV

This non-bit addressable register is compared against the SP register after each operation, which pushes data onto the system stack (eg. PUSH and CALL instructions or interrupts) and after each subtraction from the SP register. If the content of the SP register is less than the content of the STKOV register, a stack overflow hardware trap will occur.

Since the least significant bit of register STKOV is tied to '0' and bits 15 through 12 are tied to '1' by hardware, the STKOV register can only contain values from F000h to FFF0h.

The Stack Overflow Trap (entered when (SP) < (STKOV)) may be used in two different ways:

- **Fatal error indication** treats the stack overflow as a system error through the associated trap service routine. Under these circumstances data in the bottom of the stack may have been overwritten

by the status information stacked upon servicing the stack overflow trap.

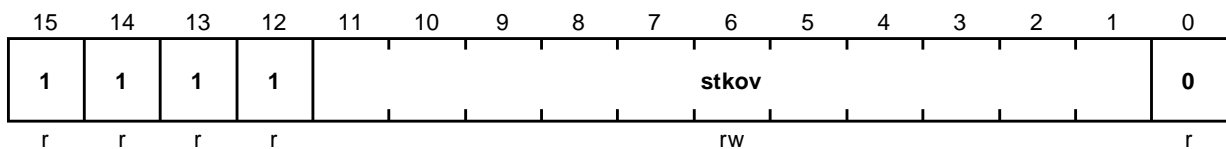
- **Automatic system stack flushing** allows to use the system stack as a 'Stack Cache' for a bigger external user stack. In this case register STKOV should be initialized to a value, which represents the desired lowest Top of Stack address plus 12 according to the selected maximum stack size. This considers the worst case that will occur, when a stack overflow condition is detected just during entry into an interrupt service routine. Then, six additional stack word locations are required to push IP, PSW, and CSP for both the interrupt service routine and the hardware trap service routine.

More details about the stack overflow trap service routine and virtual stack management are given in chapter "System Programming".

STKOV (FE14h / 0Ah)

SFR

Reset Value: FA00h



Bit	Function
stkov	Modifiable portion of register STKOV Specifies the lower limit of the internal system stack.

CPU SPECIAL FUNCTION REGISTERS(Cont'd)

The Stack Underflow Pointer STKUN

This non-bit addressable register is compared against the SP register after each datapop operation from the system stack (eg. POP and RET instructions) and after each addition to the SP register. If the content of the SP register is greater than the content of the STKUN register, a stack underflow hardware trap will occur.

Since the least significant bit of register STKUN is tied to '0' and bits 15 through 12 are tied to '1' by hardware, the STKUN register can only contain values from F000h to FFFEh.

The Stack Underflow Trap (entered when (SP) > (STKUN)) may be used in two different ways:

- **Fatal error indication** treats the stack underflow as a system error through the associated trap service routine.
- **Automatic system stack refilling** allows to use the system stack as a 'Stack Cache' for a bigger

external user stack. In this case register STKUN should be initialized to a value, which represents the desired highest Bottom of Stack address.

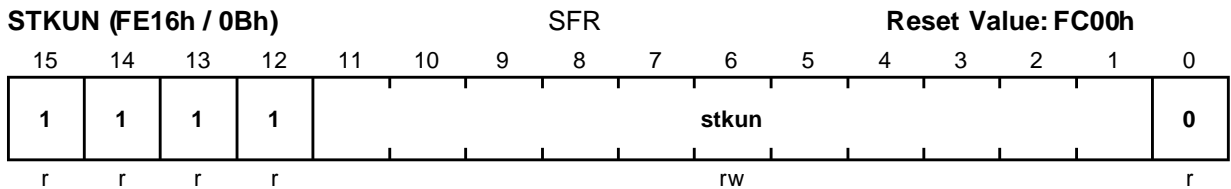
More details about the stack underflow trap service routine and virtual stack management are given in chapter "System Programming".

Scope of Stack Limit Control

The stack limit control realized by the register pair STKOV and STKUN detects cases where the stack pointer SP is moved outside the defined stack area either by ADD or SUB instructions or by PUSH or POP operations (explicit or implicit, ie. CALL or RET instructions).

This control mechanism is not triggered, ie. no stack trap is generated, when

- the stack pointer SP is directly updated via MOV instructions
- the limits of the stack area (STKOV, STKUN) are changed, so that SP is outside of the new limits.



Bit	Function
stkun	Modifiable portion of register STKUN Specifies the upper limit of the internal system stack.

3 - CENTRAL PROCESSING UNIT (ST10R163)

CPU SPECIAL FUNCTION REGISTERS(Cont'd)

The Multiply/Divide High Register MDH

This register is a part of the 32-bit multiply/divide register, which is implicitly used by the CPU, when it performs a multiplication or a division. After a multiplication, this non-bit addressable register represents the high order 16 bits of the 32-bit result. For long divisions, the MDH register must be loaded with the high order 16 bits of the 32-bit dividend before the division is started. After any division, register MDH represents the 16-bit remainder.

Whenever this register is updated via software, the Multiply/Divide Register In Use (MDRIU) flag in the Multiply/Divide Control register (MDC) is set to '1'.

When a multiplication or division is interrupted before its completion and when a new multiply or divide operation is to be performed within the interrupt service routine, register MDH must be saved along with registers MDL and MDC to avoid erroneous results.

A detailed description of how to use the MDH register for programming multiply and divide algorithms can be found in chapter "System Programming".

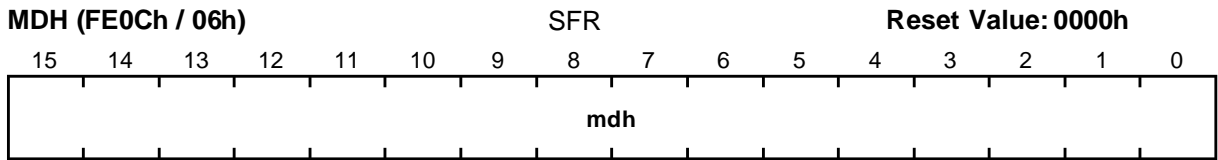
The Multiply/Divide Low Register MDL

This register is a part of the 32-bit multiply/divide register, which is implicitly used by the CPU, when it performs a multiplication or a division. After a multiplication, this non-bit addressable register represents the low order 16 bits of the 32-bit result. For long divisions, the MDL register must be loaded with the low order 16 bits of the 32-bit dividend before the division is started. After any division, register MDL represents the 16-bit quotient.

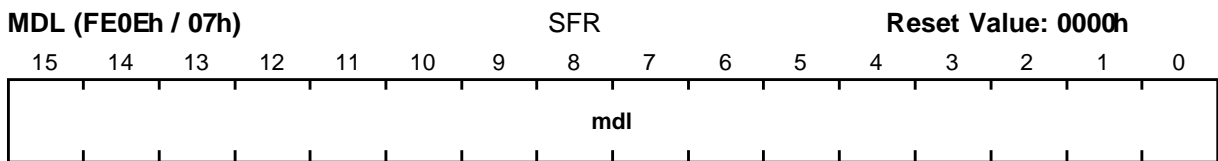
Whenever this register is updated via software, the Multiply/Divide Register In Use (MDRIU) flag in the Multiply/Divide Control register (MDC) is set to '1'. The MDRIU flag is cleared, whenever the MDL register is read via software.

When a multiplication or division is interrupted before its completion and when a new multiply or divide operation is to be performed within the interrupt service routine, register MDL must be saved along with registers MDH and MDC to avoid erroneous results.

A detailed description of how to use the MDL register for programming multiply and divide algorithms can be found in chapter "System Programming".



Bit	Function
mdh	Specifies the high order 16 bits of the 32-bit multiply and divide register MD.



Bit	Function
mdl	Specifies the low order 16 bits of the 32-bit multiply and divide register MD.

CPU SPECIAL FUNCTION REGISTERS(Cont'd)

The Multiply/Divide Control Register MDC

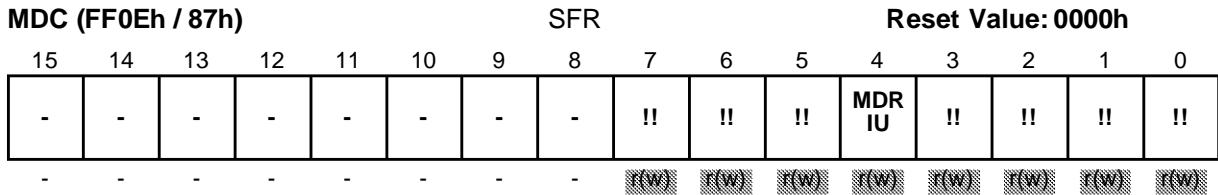
This bit addressable 16-bit register is implicitly used by the CPU, when it performs a multiplication or a division. It is used to store the required control information for the corresponding multiply or divide operation. Register MDC is updated by hardware during each single cycle of a multiply or divide instruction.

When a division or multiplication was interrupted before its completion and the multiply/divide unit is required, the MDC register must first be saved along with registers MDH and MDL (to be able to restart the interrupted operation later), and then it must be cleared to be prepared for the new calculation. After completion of the new division or mul-

tiplication, the state of the interrupted multiply or divide operation must be restored.

The MDRIU flag is the only portion of the MDC register which might be of interest for the user. The remaining portions of the MDC register are reserved for dedicated use by the hardware, and should never be modified by the user in another way as described above. Otherwise, a correct continuation of an interrupted multiply or divide operation cannot be guaranteed.

A detailed description of how to use the MDC register for programming multiply and divide algorithms can be found in chapter "System Programming".



Bit	Function
MDRIU	<p>Multiply/Divide Register In Use</p> <p>'0':Cleared, when register MDL is read via software. '1':Set when register MDL or MDH is written via software, or when a multiply or divide instruction is executed.</p>
!!	<p>Internal Machine Status</p> <p>The multiply/divide unit uses these bits to control internal operations. Never modify these bits without saving and restoring register MDC.</p>

3 - CENTRAL PROCESSING UNIT (ST10R163)

CPU SPECIAL FUNCTION REGISTERS(Cont'd)

The Constant Zeros Register ZEROS

All bits of this bit-addressable register are fixed to '0' by hardware. This register can be read only. Register ZEROS can be used as a register-addressable constant of all zeros, ie. for bit manipulation or mask generation. It can be accessed via any instruction, which is capable of addressing a SFR.

The Constant Ones Register ONES

All bits of this bit-addressable register are fixed to '1' by hardware. This register can be read only. Register ONES can be used as a register-addressable constant of all ones, ie. for bit manipulation or mask generation. It can be accessed via any instruction, which is capable of addressing an SFR.

ZEROS (FF1Ch / 8Eh)

SFR

Reset Value: 0000h

15	14	13	12	11	10	9	8	7	6	5	4	3	2	1	0
0	0	0	0	0	0	0	0	0	0	0	0	0	0	0	0
r	r	r	r	r	r	r	r	r	r	r	r	r	r	r	r

ONES (FF1Eh / 8Fh)

SFR

Reset Value: FFFFh

15	14	13	12	11	10	9	8	7	6	5	4	3	2	1	0
1	1	1	1	1	1	1	1	1	1	1	1	1	1	1	1
r	r	r	r	r	r	r	r	r	r	r	r	r	r	r	r

4 - INTERRUPT AND TRAP FUNCTIONS

The architecture of the ST10R163 supports several mechanisms for fast and flexible response to service requests that can be generated from various sources internal or external to the microcontroller.

These mechanisms include:

Normal Interrupt Processing

The CPU temporarily suspends the current program execution and branches to an interrupt service routine in order to service an interrupt requesting device. The current program status (IP, PSW, in segmentation mode also CSP) is saved on the internal system stack. A prioritization scheme with 16 priority levels allows the user to specify the order in which multiple interrupt requests are to be handled.

Interrupt Processing via the Peripheral Event Controller (PEC)

A faster alternative to normal software controlled interrupt processing is servicing an interrupt requesting device with the ST10R163's integrated Peripheral Event Controller (PEC). Triggered by an interrupt request, the PEC performs a single word or byte data transfer between any two locations in segment 0 (data pages 0 through 3) through one of eight programmable PEC Service Channels. During a PEC transfer the normal program execution of the CPU is halted for just 1 instruction cycle. No internal program status infor-

mation needs to be saved. The same prioritization scheme is used for PEC service as for normal interrupt processing. PEC transfers share the 2 highest priority levels.

Trap Functions

Trap functions are activated in response to special conditions that occur during the execution of instructions. A trap can also be caused externally by the Non-Maskable Interrupt pin NMI. Several hardware trap functions are provided for handling erroneous conditions and exceptions that arise during the execution of an instruction. Hardware traps always have highest priority and cause immediate system reaction. The software trap function is invoked by the TRAP instruction, which generates a software interrupt for a specified interrupt vector. For all types of traps the current program status is saved on the system stack.

External Interrupt Processing

Although the ST10R163 does not provide dedicated interrupt pins, it allows to connect external interrupt sources and provides several mechanisms to react on external events, including standard inputs, non-maskable interrupts and fast external interrupts. These interrupt functions are alternate port functions, except for the non-maskable interrupt and the reset input.

4 - INTERRUPT AND TRAP FUNCTIONS (ST10R163)

4.1 INTERRUPT SYSTEM STRUCTURE

The ST10R163 provides 20 separate interrupt nodes that may be assigned to 16 priority levels. In order to support modular and consistent software design techniques, each source of an interrupt or PEC request is supplied with a separate interrupt control register and interrupt vector. The control register contains the interrupt request flag, the interrupt enable bit, and the interrupt priority of the associated source. Each source request is activated by one specific event, depending on the selected operating mode of the respective device. The only exceptions are the two serial channels of the ST10R163, where an error interrupt request can be generated by different kinds of error. However, specific status flags which identify the type of error are implemented in the serial channels' control registers.

The ST10R163 provides a vectored interrupt system. In this system specific vector locations in the memory space are reserved for the reset, trap, and interrupt service functions. Whenever a request occurs, the CPU branches to the location that is associated with the respective interrupt source. This allows direct identification of the source that caused the request. The only exceptions are the class B hardware traps, which all share the same interrupt vector. The status flags in the Trap Flag Register (TFR) can then be used to determine which exception caused the trap. For the special software TRAP instruction, the vector address is specified by the operand field of the instruction, which is a seven bit trap number.

The reserved vector locations build a jump table in the low end of the ST10R163's address space (segment 0). The jump table is made up of the appropriate jump instructions that transfer control to the interrupt or trap service routines, which may be located anywhere within the address space. The entries to the jump table are located at the lowest addresses in code segment 0 of the address space. Each entry occupies 2 words, except for the reset vector and the hardware trap vectors, which occupy 4 or 8 words.

The table below lists all sources that are capable of requesting interrupt or PEC service in the ST10R163, the associated interrupt vectors, their locations and the associated trap numbers. It also lists the mnemonics of the affected Interrupt Request flags and their corresponding Interrupt Enable flags. The mnemonics are composed of a part that specifies the respective source, followed by a part that specifies their function (IR=Interrupt Request flag, IE=Interrupt Enable flag).

Note: The two X-Peripheral nodes in the table are prepared to accept interrupt requests, one of them is connected to the PLL Unlock interrupt request and another one is connected to the SSP X-Peripheral Receive/Transmit interrupt request.
The "External Interrupt Nodes" use naming conventions that are compatible with the respective ST10F167 and ST10R165 interrupt nodes

4 - INTERRUPT AND TRAP FUNCTIONS (ST10R163)

INTERRUPT SYSTEM STRUCTURE(Cont'd)

Source of Interrupt or PEC Service Request	Request Flag	Enable Flag	Interrupt Vector	Vector Location	Trap Number
External Interrupt 0	CC8IR	CC8IE	CC8INT	00'0060h	18h / 24
External Interrupt 1	CC9IR	CC9IE	CC9INT	00'0064h	19h / 25
External Interrupt 2	CC10IR	CC10IE	CC10INT	00'0068h	1Ah / 26
External Interrupt 3	CC11IR	CC11IE	CC11INT	00'006Ch	1b h / 27
External Interrupt 4	CC12IR	CC12IE	CC12INT	00'0070h	1Ch / 28
External Interrupt 5	CC13IR	CC13IE	CC13INT	00'0074h	1Dh / 29
External Interrupt 6	CC14IR	CC14IE	CC14INT	00'0078h	1Eh / 30
External Interrupt 7	CC15IR	CC15IE	CC15INT	00'007Ch	1Fh / 31
GPT1 Timer 2	T2IR	T2IE	T2INT	00'0088h	22h / 34
GPT1 Timer 3	T3IR	T3IE	T3INT	00'008Ch	23h / 35
GPT1 Timer 4	T4IR	T4IE	T4INT	00'0090h	24h / 36
GPT2 Timer 5	T5IR	T5IE	T5INT	00'0094h	25h / 37
GPT2 Timer 6	T6IR	T6IE	T6INT	00'0098h	26h / 38
GPT2 CAPREL Register	CRIR	CRIE	CRINT	00'009Ch	27h / 39
ASC0 Transmit	S0TIR	S0TIE	S0TINT	00'00A8h	2Ah / 42
ASC0 Transmit Buffer	S0TBIR	S0TBIE	S0TBINT	00'011Ch	47h / 71
ASC0 Receive	S0RIR	S0RIE	S0RINT	00'00ACh	2Bh / 43
ASC0 Error	S0EIR	S0EIE	S0EINT	00'00B0h	2Ch / 44
X-Peripheral Node 1	XP1IR	XP1IE	XP1INT	00'0104h	41h / 65
X-Peripheral Node 3	XP3IR	XP3IE	XP3INT	00'010Ch	43h / 67

Note: Each entry of the interrupt vector table provides room for two word instructions or one doubleword instruction. The respective vector location results from multiplying the trap number by 4 (4 bytes per entry).

4 - INTERRUPT AND TRAP FUNCTIONS (ST10R163)

INTERRUPT SYSTEM STRUCTURE(Cont'd)

The table below lists the vector locations for hardware traps and the corresponding status flags in register TFR. It also lists the priorities of trap service for cases, where more than one trap condition might be detected within the same instruction. After any reset (hardware reset, software reset instruction SRST, or reset by watchdog timer overflow) program execution starts at the reset vector at location 00'0000h. Reset conditions have priority over every other system activity and therefore have the highest priority (trap priority III).

Software traps may be performed from any vector location between 00'0000h and 00'01FCh. A service routine entered via a software TRAP instruction is always executed on the current CPU priority level which is indicated in bit field ILVL in register PSW. This means that routines entered via the software TRAP instruction can be interrupted by all hardware traps or higher level interrupt requests.

Exception Condition	Trap Flag	Trap Vector	Vector Location	Trap Number	Trap Priority
Reset Functions: Hardware Reset Software Reset Watchdog Timer Overflow		RESET RESET RESET	00'0000h 00'0000h 00'0000h	00h 00h 00h	III III III
Class A Hardware Traps: Non-Maskable Interrupt Stack Overflow Stack Underflow	NMI STKOF STKUF	NMITRAP STOTRAP STUTRAP	00'0008h 00'0010h 00'0018h	02h 04h 06h	II II II
Class B Hardware Traps: Undefined Opcode Protected Instruction Fault Illegal Word Operand Access Illegal Instruction Access Illegal External Bus Access	UNDOPC PRTFLT ILLOPA ILLINA ILLBUS	BTRAP BTRAP BTRAP BTRAP BTRAP	00'0028h 00'0028h 00'0028h 00'0028h 00'0028h	0Ah 0Ah 0Ah 0Ah 0Ah	I I I I I
Reserved			[2Ch – 3Ch]	[0Bh – 0Fh]	
Software Traps TRAP Instruction			Any [00'0000h – 00'01FCh] in steps of 4h	Any [00h – 7Fh]	Current CPU Priority

4 - INTERRUPT AND TRAP FUNCTIONS (ST10R163)

INTERRUPT SYSTEM STRUCTURE(Cont'd)

The **Interrupt Request Flag** is set by hardware whenever a service request from the respective source occurs. It is cleared automatically upon entry into the interrupt service routine or upon a PEC service. In the case of PEC service the Interrupt Request flag remains set, if the COUNT field in register PECCx of the selected PEC channel decrements to zero. This allows a normal CPU interrupt to respond to a completed PEC block transfer.

Note: Modifying the Interrupt Request flag via software causes the same effects as if it had been set or cleared by hardware.

Interrupt Priority Level and Group Level

The four bits of bit field ILVL specify the priority level of a service request for the arbitration of simultaneous requests. The priority increases with the numerical value of ILVL, so 000b is the lowest and 111b is the highest priority level.

When more than one interrupt request on a specific level becomes active at the same time, the values in the respective bit fields GLVL are used for second level arbitration to select one request for being serviced. Again the group priority increases with the numerical value of GLVL, so 0b is the lowest and 1b is the highest group priority.

Note: All interrupt request sources that are enabled and programmed to the same priority level must always be programmed to different group priorities. Otherwise an incorrect interrupt vector will be generated.

Upon entry into the interrupt service routine, the priority level of the source that won the arbitration and who's priority level is higher than the current CPU level, is copied into bit field ILVL of register

PSW after pushing the old PSW contents on the stack.

The interrupt system of the ST10R163 allows nesting of up to 15 interrupt service routines of different priority levels (level 0 cannot be arbitrated).

Interrupt requests that are programmed to priority levels 15 or 14 (ie, ILVL=111Xb) will be serviced by the PEC, unless the COUNT field of the associated PECC register contains zero. In this case the request will be serviced by normal interrupt processing instead. Interrupt requests that are programmed to priority levels 13 through 1 will always be serviced by normal interrupt processing.

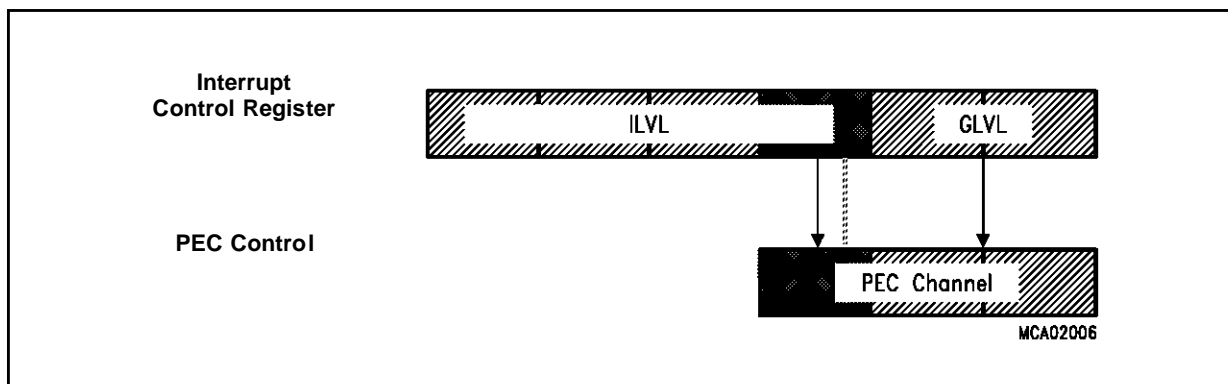
Note: Priority level 000b is the default level of the CPU. Therefore a request on level 0 will never be serviced, because it can never interrupt the CPU. However, an enabled interrupt request on level 000b will terminate the ST10R163's Idle mode and reactivate the CPU.

For interrupt requests which are to be serviced by the PEC, the associated PEC channel number is derived from the respective ILVL (LSB) and GLVL (see figure below). So programming a source to priority level 15 (ILVL=1111b) selects the PEC channel group 7...4, programming a source to priority level 14 (ILVL=1110b) selects the PEC channel group 3...0. The actual PEC channel number is then determined by the group priority field GLVL.

Simultaneous requests for PEC channels are prioritized according to the PEC channel number, where channel 0 has lowest and channel 7 has highest priority.

Note: All sources that request PEC service must be programmed to different PEC channels. Otherwise an incorrect PEC channel may be activated.

Figure 4-1. Priority Levels and PEC Channels



4 - INTERRUPT AND TRAP FUNCTIONS (ST10R163)

INTERRUPT SYSTEM STRUCTURE(Cont'd)

The table below shows in a few examples, which action is executed with a given programming of an interrupt control register.

Priority Level		Type of Service	
ILVL	GLVL	COUNT = 00h	COUNT ≠ 00h
1 1 1 1	1 1	CPU interrupt, level 15, group priority 3	PEC service, channel 7
1 1 1 1	1 0	CPU interrupt, level 15, group priority 2	PEC service, channel 6
1 1 1 0	1 0	CPU interrupt, level 14, group priority 2	PEC service, channel 2
1 1 0 1	1 0	CPU interrupt, level 13, group priority 2	CPU interrupt, level 13, group priority 2
0 0 0 1	1 1	CPU interrupt, level 1, group priority 3	CPU interrupt, level 1, group priority 3
0 0 0 1	0 0	CPU interrupt, level 1, group priority 0	CPU interrupt, level 1, group priority 0
0 0 0 0	X X	No service!	No service!

Note: All requests on levels 13...1 cannot initiate PEC transfers. They are always serviced by an interrupt service routine. No PECC register is associated and no COUNT field is checked.

Interrupt Control Functions in the PSW

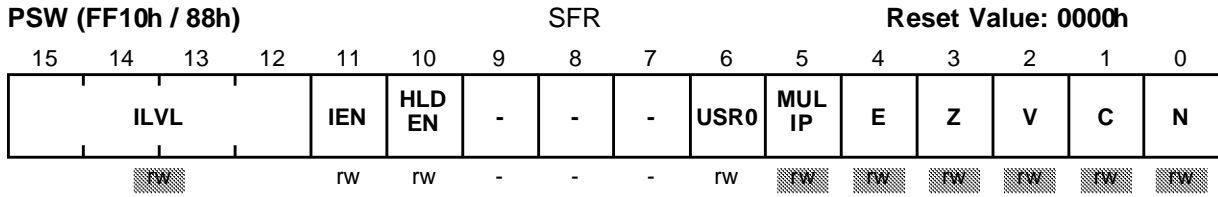
The Processor Status Word (PSW) is functionally divided into 2 parts: the lower byte of the PSW basically represents the arithmetic status of the CPU, the upper byte of the PSW controls the inter-

rupt system of the ST10R163 and the arbitration mechanism for the external bus interface.

Note: Pipeline effects have to be considered when enabling/disabling interrupt requests via modifications of register PSW (see chapter "The Central Processing Unit").

4 - INTERRUPT AND TRAP FUNCTIONS (ST10R163)

INTERRUPT SYSTEM STRUCTURE(Cont'd)



Bit	Function
N, C, V, Z, E, MULIP, USR0	CPU status flags (Described in section "The Central Processing Unit") Define the current status of the CPU (ALU, multiplication unit).
HLDEN	HOLD Enable (Enables External Bus Arbitration) 0: Bus arbitration disabled, P6.7...P6.5 may be used for general purpose IO 1: Bus arbitration enabled, P6.7...P6.5 serve as BREQ , HLDA , HOLD , resp.
ILVL	CPU Priority Level Defines the current priority level for the CPU Fh: Highest priority level 0h: Lowest priority level
IEN	Interrupt Enable Control Bit (globally enables/disables interrupt requests) '0': Interrupt requests are disabled '1': Interrupt requests are enabled

CPU Priority ILVL defines the current level for the operation of the CPU. This bit field reflects the priority level of the routine that is currently executed. Upon the entry into an interrupt service routine this bit field is updated with the priority level of the request that is being serviced. The PSW is saved on the system stack before. The CPU level determines the minimum interrupt priority level that will be serviced. Any request on the same or a lower level will not be acknowledged. The current CPU priority level may be changed via software to control which interrupt request sources will be acknowledged.

PEC transfers do not really interrupt the CPU, but rather "steal" a single cycle, so PEC services do not influence the ILVL field in the PSW.

Hardware traps switch the CPU level to maximum priority (ie. 15) so no interrupt or PEC requests will be acknowledged while an exception trap service routine is executed.

Note: The TRAP instruction does not change the CPU level, thus software invoked trap service routines may be interrupted by higher requests.

Interrupt Enable bit IEN globally enables or disables PEC operation and the acceptance of interrupts by the CPU. When IEN is cleared, no interrupt requests are accepted by the CPU. When IEN is set to '1', all interrupt sources, which have been individually enabled by the interrupt enable bits in their associated control registers, are globally enabled.

Note: Traps are non-maskable and are therefore not affected by the IEN bit.

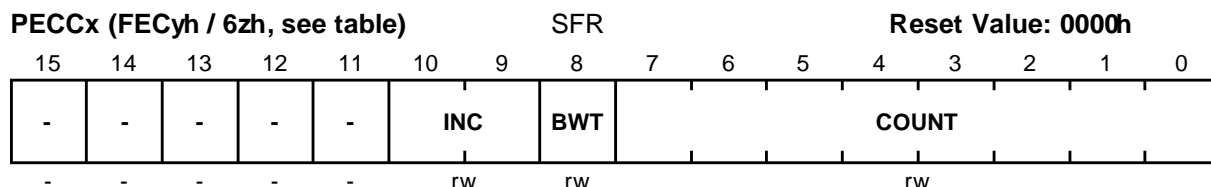
4 - INTERRUPT AND TRAP FUNCTIONS (ST10R163)

4.2 OPERATION OF THE PEC CHANNELS

The ST10R163's Peripheral Event Controller (PEC) provides 8 PEC service channels, which move a single byte or word between two locations in segment 0 (data pages 3...0). This is the fastest possible interrupt response and in many cases is sufficient to service the respective peripheral request (eg. serial channels, etc.). Each channel is

controlled by a dedicated PEC Channel Counter/Control register (PECCx) and a pair of pointers for source (SRCPx) and destination (DSTPx) of the data transfer.

The PECC registers control the action that is performed by the respective PEC channel.



Bit	Function
COUNT	PEC Transfer Count Counts PEC transfers and influences the channel's action (see table below)
BWT	Byte / Word Transfer Selection 0: Transfer a Word 1: Transfer a Byte
INC	Increment Control (Modification of SRCPx or DSTPx) 0 0: Pointers are not modified 0 1: Increment DSTPx by 1 or 2 (BWT) 1 0: Increment SRCPx by 1 or 2 (BWT) 1 1: Reserved. Do not use this combination. (changed to 10 by hardware)

PEC Control Register Addresses

Register	Address	Reg. Space	Register	Address	Reg. Space
PECC0	FEC0h / 60h	SFR	PECC4	FEC8h / 64h	SFR
PECC1	FEC2h / 61h	SFR	PECC5	FECAh / 65h	SFR
PECC2	FEC4h / 62h	SFR	PECC6	FECCh / 66h	SFR
PECC3	FEC6h / 63h	SFR	PECC7	FECEh / 67h	SFR

Byte/Word Transfer bit BWT controls, if a byte or a word is moved during a PEC service cycle. This

selection controls the transferred data size and the increment step for the modified pointer.

4 - INTERRUPT AND TRAP FUNCTIONS (ST10R163)

OPERATION OF THE PEC CHANNELS(Cont'd)

Increment Control Field INC specifies if one of the PEC pointers is incremented after the PEC transfer. It is not possible to increment both pointers, however. If the pointers are not modified (INC=00), the respective channel will always move data from the same source to the same destination.

Note: The reserved combination 11 is changed to 10 by hardware. However, it is not recommended to use this combination.

The PEC Transfer Count Field COUNT controls the action of a respective PEC channel, where the content of bit field COUNT at the time the request is activated selects the action. COUNT may allow

a specified number of PEC transfers, unlimited transfers or no PEC service at all.

The table below summarizes, how the COUNT field itself, the interrupt requests flag IR and the PEC channel action depends on the previous content of COUNT.

The PEC transfer counter allows to service a specified number of requests by the respective PEC channel, and then (when COUNT reaches 00h) activate the interrupt service routine, which is associated with the priority level. After each PEC transfer the COUNT field is decremented and the request flag is cleared to indicate that the request has been serviced.

COUNT	COUNT ⁽¹⁾	IR after PEC service	Action of PEC Channel and Comments
FFh	FFh	'0'	Move a Byte / Word Continuous transfer mode, ie. COUNT is not modified
FEh..02h	FDh..01h	'0'	Move a Byte / Word and decrement COUNT
01h	00h	'1'	Move a Byte / Word Leave request flag set, which triggers another request
00h	00h	'1'	No action! Activate interrupt service routine rather than PEC channel.

Note: After PEC Service

Continuous transfers are selected by the value FFh in bit field COUNT. In this case COUNT is not modified and the respective PEC channel services any request until it is disabled again.

When COUNT is decremented from 01h to 00h after a transfer, the request flag is not cleared, which generates another request from the same source. When COUNT already contains the value 00h, the respective PEC channel remains idle and the associated interrupt service routine is activated instead. This allows to choose, if a level 15 or 14 re-

quest is to be serviced by the PEC or by the interrupt service routine.

Note: PEC transfers are only executed, if their priority level is higher than the CPU level, ie. only PEC channels 7...4 are processed, while the CPU executes on level 14.

All interrupt request sources that are enabled and programmed for PEC service should use different channels. Otherwise only one transfer will be performed for all simultaneous requests. When COUNT is decremented to 00h, and the CPU is to be interrupted, an incorrect interrupt vector will be generated.

OPERATION OF THE PEC CHANNELS(Cont'd)

The **source and destination pointers** specify the locations between which the data is to be moved. A pair of pointers (SRCPx and DSTPx) is associated with each of the 8 PEC channels. These pointers do not reside in specific SFRs, but are mapped into the internal RAM of the ST10R163 just below the bit-addressable area (see figure below).

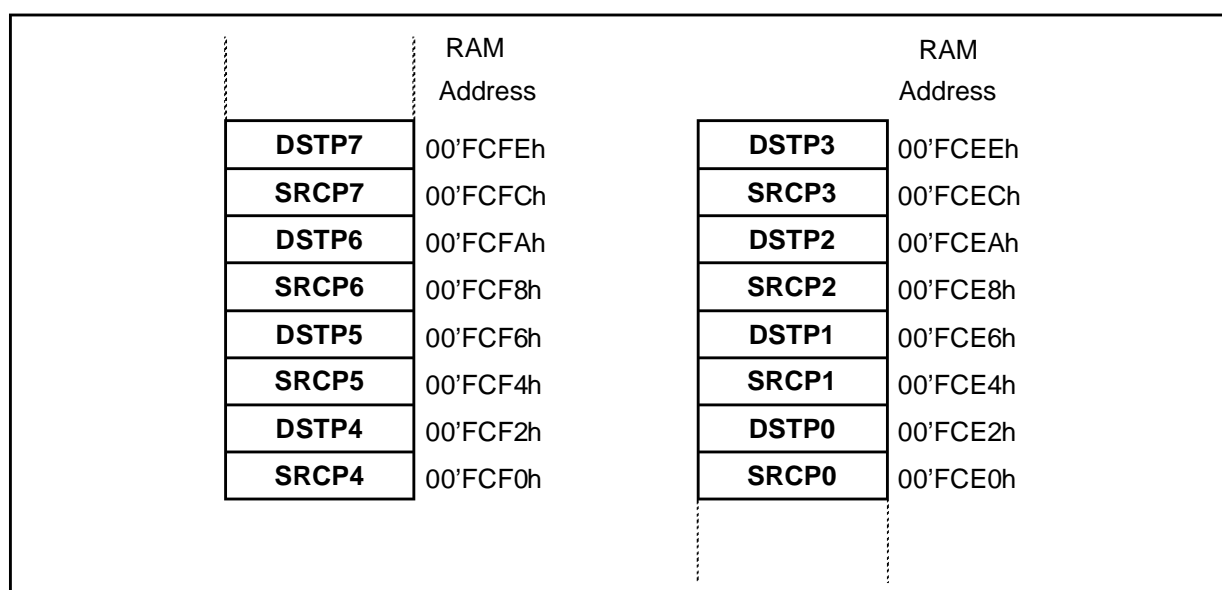
PEC data transfers do not use the data page pointers DPP3...DPP0. The PEC source and destination pointers are used as 16-bit intra-segment addresses within segment 0, so that data can be

transferred between any two locations within the first four data pages 3...0.

The pointer locations for inactive PEC channels may be used for general data storage. Only the required pointers occupy RAM locations.

Note: If word data transfer is selected for a specific PEC channel (ie. BWT='0'), the respective source and destination pointers must both contain a valid word address which points to an even byte boundary. Otherwise the Illegal Word Access trap will be invoked, when this channel is used.

Figure 1-2. Mapping of PEC Pointers into the Internal RAM



4.3 PRIORITIZATION OF INTERRUPT AND PEC SERVICE REQUESTS

Interrupt and PEC service requests from all sources can be enabled, so they are arbitrated and serviced (if chosen), or they may be disabled, so their requests are disregarded and not serviced.

Enabling and disabling interrupt requests may be done via three mechanisms:

Control Bits allow to switch each individual source “ON” or “OFF”, so it may generate a request or not. The control bits (xxIE) are located in the respective interrupt control registers. All interrupt requests may be enabled or disabled generally via bit IEN in register PSW. This control bit is the “main switch” that selects, if requests from any source are accepted or not.

For a specific request to be arbitrated the respective source’s enable bit and the global enable bit must both be set.

The Priority Level automatically selects a certain group of interrupt requests that will be acknowledged, disclosing all other requests. The priority level of the source that won the arbitration is compared against the CPU’s current level and the source is only serviced, if its level is higher than the current CPU level. Changing the CPU level to a specific value via software blocks all requests on the same or a lower level. An interrupt source that is assigned to level 0 will be disabled and never be serviced.

The ATOMIC and EXTend instructions automatically disable all interrupt requests for the duration of the following 1..4 instructions. This is useful eg. for semaphore handling and does not require to re-enable the interrupt system after the

unseparable instruction sequence (see chapter “System Programming”).

Interrupt Class Management

An interrupt class covers a set of interrupt sources with the same importance, ie. the same priority from the system’s viewpoint. Interrupts of the same class must not interrupt each other. The ST10R163 supports this function with two features:

Classes with up to 4 members can be established by using the same interrupt priority (ILVL) and assigning a dedicated group level (GLVL) to each member. This functionality is built-in and handled automatically by the interrupt controller.

Classes with more than 4 members can be established by using a number of adjacent interrupt priorities (ILVL) and the respective group levels (4 per ILVL). Each interrupt service routine within this class sets the CPU level to the highest interrupt priority within the class. All requests from the same or any lower level are blocked now, ie. no request of this class will be accepted.

The example below establishes 3 interrupt classes which cover 2 or 3 interrupt priorities, depending on the number of members in a class. A level 6 interrupt disables all other sources in class 2 by changing the current CPU level to 8, which is the highest priority (ILVL) in class 2. Class 1 requests or PEC requests are still serviced in this case.

The 24 interrupt sources (excluding PEC requests) are so assigned to 3 classes of priority rather than to 7 different levels, as the hardware support would do.

4 - INTERRUPT AND TRAP FUNCTIONS (ST10R163)

PRIORITIZATION OF INTERRUPT AND PEC SERVICE REQUESTS(Cont'd)

Software controlled Interrupt Classes (Example)

ILVL (Priority)	GLVL				Interpretation
	3	2	1	0	
15					PEC service on up to 8 channels
14					
13					
12	X	X	X	X	Interrupt Class 1 8 sources on 2 levels
11	X	X	X	X	
10					
9					
8	X	X	X	X	Interrupt Class 2 10 sources on 3 levels
7	X	X	X	X	
6	X	X			
5	X	X	X	X	Interrupt Class 3 6 sources on 2 levels
4	X	X			
3					
2					
1					
0					No service!

4 - INTERRUPT AND TRAP FUNCTIONS (ST10R163)

4.4 SAVING THE STATUS DURING INTERRUPT SERVICE

Before an interrupt request that has been arbitrated is actually serviced, the status of the current task is automatically saved on the system stack. The CPU status (PSW) is saved along with the location, where the execution of the interrupted task is to be resumed after returning from the service routine. This return location is specified through the Instruction Pointer (IP) and, in case of a segmented memory model, the Code Segment Pointer (CSP). Bit SGTDIS in register SYSCON controls, how the return location is stored.

The system stack receives the PSW first, followed by the IP (unsegmented) or followed by CSP and then IP (segmented mode). This optimizes the usage of the system stack, if segmentation is disabled.

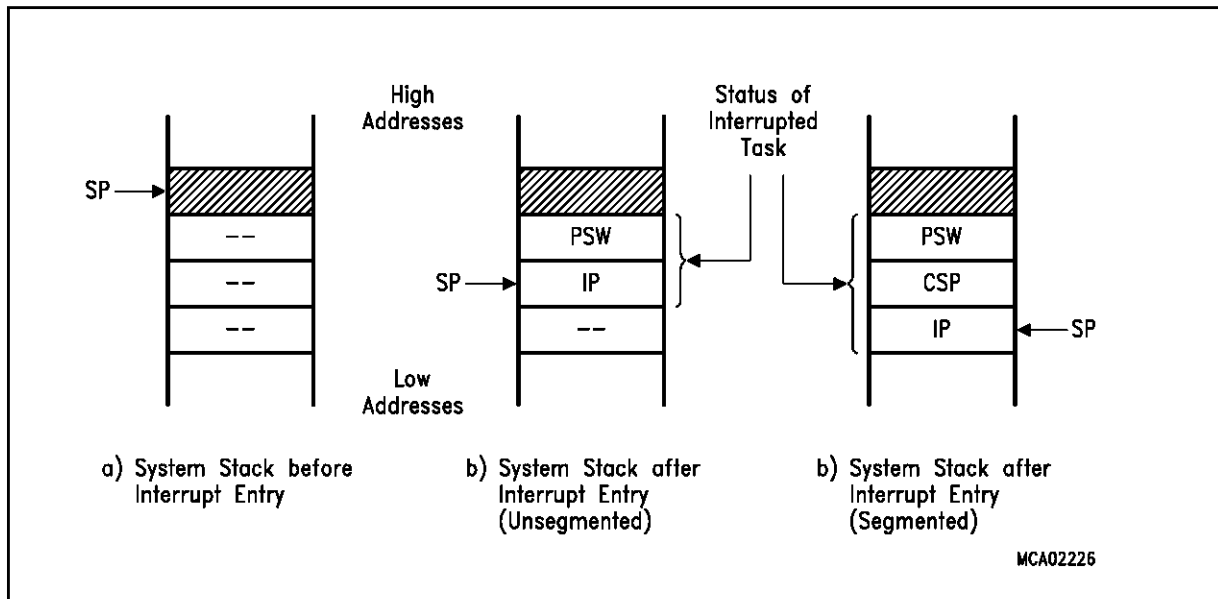
The CPU priority field (ILVL in PSW) is updated with the priority of the interrupt request that is to be serviced, so the CPU now executes on the new level. If a multiplication or division was in progress at the time the interrupt request was acknowledged, bit MULIP in register PSW is set to '1'. In

this case the return location that is saved on the stack is not the next instruction in the instruction flow, but rather the multiply or divide instruction itself, as this instruction has been interrupted and will be completed after returning from the service routine.

The interrupt request flag of the source that is being serviced is cleared. The IP is loaded with the vector associated with the requesting source (the CSP is cleared in case of segmentation) and the first instruction of the service routine is fetched from the respective vector location, which is expected to branch to the service routine itself. The data page pointers and the context pointer are not affected.

When the interrupt service routine is left (RETI is executed), the status information is popped from the system stack in the reverse order, taking into account the value of bit SGTDIS.

Figure 1-3. Task Status saved on the System Stack



4.5 SAVING THE STATUS DURING INTERRUPT SERVICE

Context Switching

An interrupt service routine usually saves all the registers it uses on the stack, and restores them before returning. The more registers a routine uses, the more time is wasted with saving and restoring. The ST10R163 allows to switch the complete bank of CPU registers (GPRs) with a single instruction, so the service routine executes within its own, separate context.

The instruction "SCXT CP, #New_Bank" pushes the content of the context pointer (CP) on the system stack and loads CP with the immediate value "New_Bank", which selects a new register bank. The service routine may now use its "own registers". This register bank is preserved, when the service routine terminates, ie. its contents are available on the next call.

Before returning (RETI) the previous CP is simply POPped from the system stack, which returns the registers to the original bank.

Note: The first instruction following the SCXT instruction must not use a GPR.

Resources that are used by the interrupting program must eventually be saved and restored, eg. the DPPs and the registers of the MUL/DIV unit.

4.6 INTERRUPT RESPONSE TIMES

The interrupt response time defines the time from an interrupt request flag of an enabled interrupt source being set until the first instruction (I1) being fetched from the interrupt vector location. The basic interrupt response time for the ST10R163 is 3 instruction cycles.

All instructions in the pipeline including instruction N (during which the interrupt request flag is set) are completed before entering the service routine. The actual execution time for these instructions (eg. waitstates) therefore influences the interrupt response time.

In the figure below the respective interrupt request flag is set in cycle 1 (fetching of instruction N). The indicated source wins the prioritization round (during cycle 2). In cycle 3 a TRAP instruction is injected into the decode stage of the pipeline, replacing instruction N+1 and clearing the source's interrupt request flag to '0'. Cycle 4 completes the injected TRAP instruction (save PSW, IP and CSP, if segmented mode) and fetches the first instruction (I1) from the respective vector location.

All instructions that entered the pipeline after setting of the interrupt request flag (N+1, N+2) will be executed after returning from the interrupt service routine.

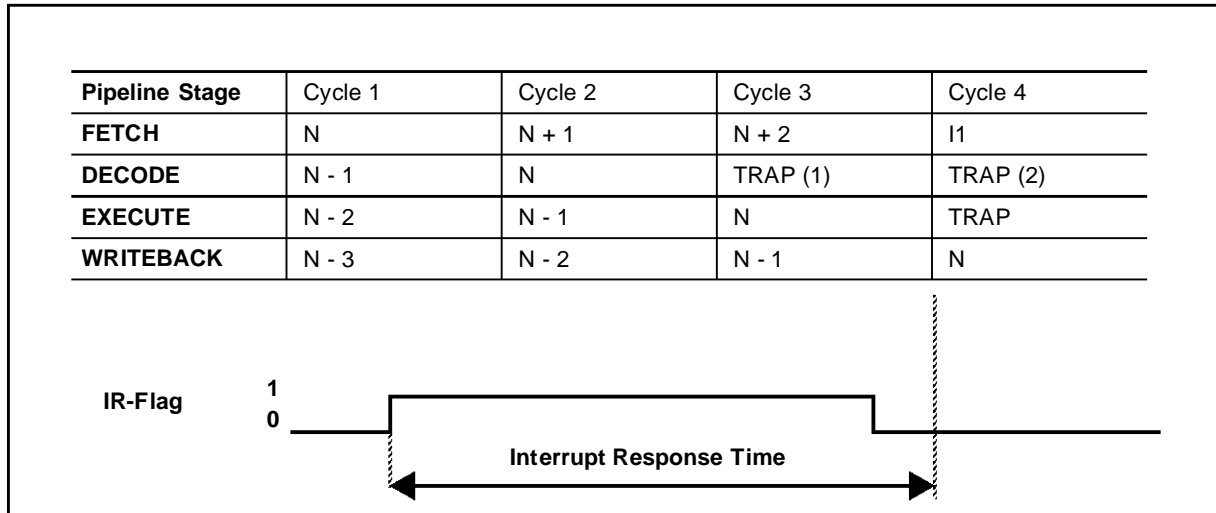
The minimum interrupt response time is 5 states (250 ns @ 20 MHz CPU clock). This requires program execution with the fastest bus configuration (16-bit, demultiplexed, no wait states), no external operand read requests and setting the interrupt request flag during the last state of an instruction cycle. When the interrupt request flag is set during the first state of an instruction cycle, the minimum interrupt response time under these conditions is 6 state times (300 ns @ 20 MHz CPU clock).

The interrupt response time is increased by all delays of the instructions in the pipeline that are executed before entering the service routine (including N).

4 - INTERRUPT AND TRAP FUNCTIONS (ST10R163)

4.7 INTERRUPT RESPONSE TIMES

Figure 1-4. Pipeline Diagram for Interrupt Response Time



- When internal hold conditions between instruction pairs N-2/N-1 or N-1/N occur, or instruction N explicitly writes to the PSW or the SP, the minimum interrupt response time may be extended by 1 state time for each of these conditions.
- In case instruction N reads the PSW and instruction N-1 has an effect on the condition flags, the interrupt response time may additionally be extended by 2 state times.

Any reference to external locations increases the interrupt response time due to pipeline related access priorities. The following conditions have to be considered:

- Instruction fetch from an external location
- Operand read from an external location
- Result write-back to an external location

Depending on where the instructions, source and destination operands are located, there are a number of combinations. Note, however, that only access conflicts contribute to the delay.

A few examples illustrate these delays:

- The worst case interrupt response time including external accesses will occur, when instructions N, N+1 and N+2 are executed out of external memory, instructions N-1 and N require external operand read accesses, instructions N-3 through N

write back external operands, and the interrupt vector also points to an external location. In this case the interrupt response time is the time to perform 9 word bus accesses, because instruction I1 cannot be fetched via the external bus until all write, fetch and read requests of preceding instructions in the pipeline are terminated.

- When instructions N, N+1 and N+2 are executed out of external memory and the interrupt vector also points to an external location, but all operands for instructions N-3 through N are in internal memory, then the interrupt response time is the time to perform 3 word bus accesses.

After an interrupt service routine has been terminated by executing the RETI instruction, and if further interrupts are pending, the next interrupt service routine will not be entered until at least two instruction cycles have been executed of the program that was interrupted. In most cases two instructions will be executed during this time. Only one instruction will typically be executed, if the first instruction following the RETI instruction is a branch instruction (without cache hit) or if it is executed out of the internal RAM.

Note: A bus access in this context also includes delays caused by an external READY signal or by bus arbitration (HOLD mode).

INTERRUPT RESPONSE TIMES (Cont'd)

4.7.1 PEC Response Times

The PEC response time defines the time from an interrupt request flag of an enabled interrupt source being set until the PEC data transfer being started. The basic PEC response time for the ST10R163 is 2 instruction cycles.

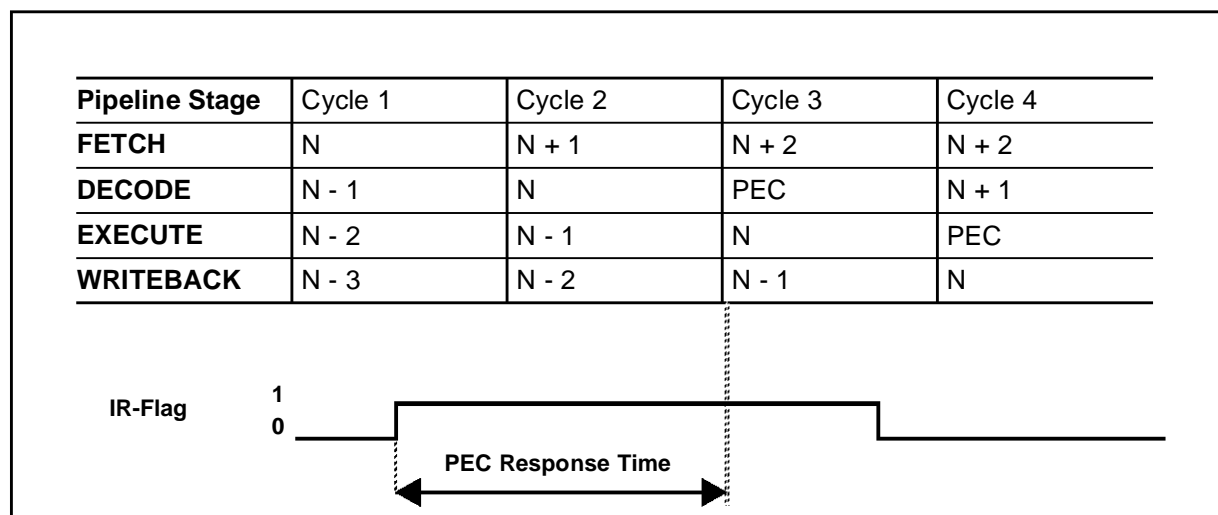
In the figure below the respective interrupt request flag is set in cycle 1 (fetching of instruction N). The indicated source wins the prioritization round (during cycle 2). In cycle 3 a PEC transfer "instruction" is injected into the decode stage of the pipeline, suspending instruction N+1 and clearing the source's interrupt request flag to '0'. Cycle 4 completes the injected PEC transfer and resumes the execution of instruction N+1.

All instructions that entered the pipeline after setting of the interrupt request flag (N+1, N+2) will be executed after the PEC data transfer.

Note: When instruction N reads any of the PEC control registers PECC7...PECC0, while a PEC request wins the current round of prioritization, this round is repeated and the PEC data transfer is started one cycle later.

The minimum PEC response time is 3 states (150 ns @ 20 MHz CPU clock). This requires program execution with the fastest bus configuration (16-bit, demultiplexed, no wait states), no external operand read requests and setting the interrupt request flag during the last state of an instruction cycle. When the interrupt request flag is set during the first state of an instruction cycle, the minimum PEC response time under these conditions is 4 state times (200 ns @ 20 MHz CPU clock).

Figure 1-5. Pipeline Diagram for PEC Response Time



4 - INTERRUPT AND TRAP FUNCTIONS (ST10R163)

INTERRUPT RESPONSE TIMES (Cont'd)

The PEC response time is increased by all delays of the instructions in the pipeline that are executed before starting the data transfer (including N).

- When internal hold conditions between instruction pairs N-2/N-1 or N-1/N occur, the minimum PEC response time may be extended by 1 state time for each of these conditions.
- In case instruction N reads the PSW and instruction N-1 has an effect on the condition flags, the PEC response time may additionally be extended by 2 state times.

Any reference to external locations increases the PEC response time due to pipeline related access priorities. The following conditions have to be considered:

- Instruction fetch from an external location
- Operand read from an external location
- Result write-back to an external location

Depending on where the instructions, source and destination operands are located, there are a number of combinations. Note, however, that only access conflicts contribute to the delay.

A few examples illustrate these delays:

- The worst case interrupt response time including external accesses will occur, when instructions N and N+1 are executed out of external memory, instructions N-1 and N require external operand read accesses and instructions N-3, N-2 and N-1 write back external operands. In this case the PEC response time is the time to perform 7 word bus accesses.
- When instructions N and N+1 are executed out of external memory, but all operands for instructions N-3 through N-1 are in internal memory, then the PEC response time is the time to perform 1 word bus access plus 2 state times.

Once a request for PEC service has been acknowledged by the CPU, the execution of the next instruction is delayed by 2 state times plus the additional time it might take to fetch the source operand from external memory and to write the destination operand over the external bus in an external program environment.

Note: A bus access in this context also includes delays caused by an external $\overline{\text{READY}}$ signal or by bus arbitration (HOLD mode).

4.8 EXTERNAL INTERRUPTS

Although the ST10R163 has no dedicated INTR input pins, it provides many possibilities to react on external asynchronous events by using a number of IO lines for interrupt input. The interrupt function may either be combined with the pin's main function or may be used instead of it, ie. if the main pin function is not required.

Interrupt signals may be connected to:

- T4IN, T2IN, the timer input pins,
- CAPIN, the capture input of GPT2

For each of these pins either a positive, a negative, or both a positive and a negative external transition can be selected to cause an interrupt or PEC service request. The edge selection is performed in the control register of the peripheral device associated with the respective port pin. The peripheral must be programmed to a specific operating mode to allow generation of an interrupt by the external signal. The priority of the interrupt request is determined by the interrupt control register of the respective peripheral interrupt source, and the interrupt vector of this source will be used to service the external interrupt request.

Note: In order to use any of the listed pins as external interrupt input, it must be switched to input mode via its direction control bit DPx.y in the respective port direction control register DPx.

Pins T2IN or T4IN can be used as external interrupt input pins when the associated auxiliary timer T2 or T4 in block GPT1 is configured for capture mode. This mode is selected by programming the mode control fields T2M or T4M in control registers T2CON or T4CON to 10**b**. The active edge of the external input signal is determined by bit fields T2I or T4I. When these fields are programmed to X01**b**, interrupt request flags T2IR or T4IR in registers T2IC or T4IC will be set on a positive external transition at pins T2IN or T4IN, respectively. When T2I or T4I are programmed to X10**b**, then a negative external transition will set the corresponding request flag. When T2I or T4I are programmed to X11**b**, both a positive and a negative transition will set the request flag. In all three cases, the contents of the core timer T3 will be captured into the auxiliary timer registers T2 or T4 based on the transition at pins T2IN or T4IN. When the interrupt enable bits T2IE or T4IE are set, a PEC request or an interrupt request for vector T2INT or T4INT will be generated.

Pin CAPIN differs slightly from the timer input pins as it can be used as external interrupt input pin without affecting peripheral functions. When the capture mode enable bit T5SC in register T5CON is cleared to '0', signal transitions on pin CAPIN will only set the interrupt request flag CRIR in register CRIC, and the capture function of register CAPREL is not activated.

So register CAPREL can still be used as reload register for GPT2 timer T5, while pin CAPIN serves as external interrupt input. Bit field CI in register T5CON selects the effective transition of the external interrupt input signal. When CI is programmed to 01**b**, a positive external transition will set the interrupt request flag. CI=10**b** selects a negative transition to set the interrupt request flag, and with CI=11**b**, both a positive and a negative transition will set the request flag. When the interrupt enable bit CRIE is set, an interrupt request for vector CRINT or a PEC request will be generated.

Note: The non-maskable interrupt input pin **NMI** and the reset input **RSTIN** provide another possibility for the CPU to react on an external input signal. **NMI** and **RSTIN** are dedicated input pins, which cause hardware traps.

Pins to be used as External Interrupt Inputs

Port Pin	Original Function	Control Register
P3.7/T2IN	Auxiliary timer T2 input pin	T2CON
P3.5/T4IN	Auxiliary timer T4 input pin	T4CON
P3.2/CAPIN	GPT2 capture input pin	T5CON

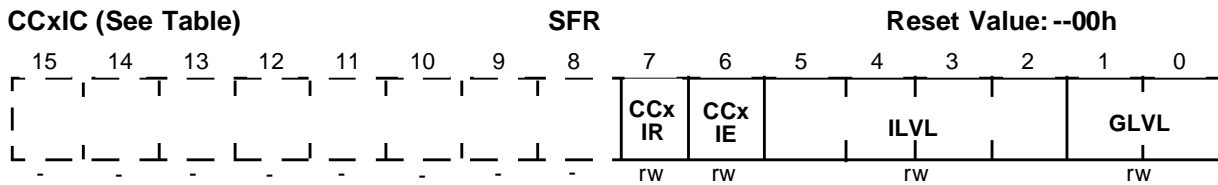
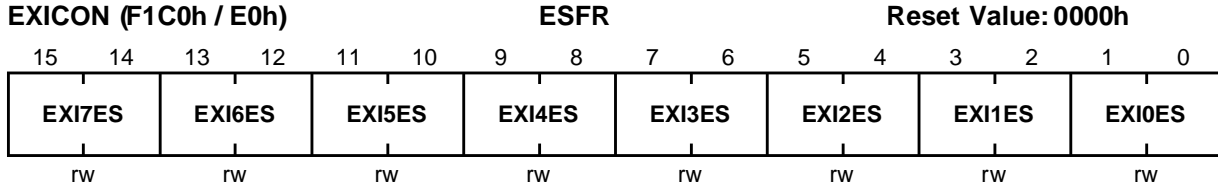
4 - INTERRUPT AND TRAP FUNCTIONS (ST10R163)

EXTERNAL INTERRUPTS (Cont'd)

Fast External Interrupts

The input pins that may be used for external interrupts are sampled every 400 ns (@ 20 MHz CPU clock), ie. external events are scanned and detected in timeframes of 400 ns. The ST10R163 provides 8 interrupt inputs that are sampled every 50 ns (@ 20 MHz CPU clock), so external events are captured faster than with standard interrupt inputs.

The pins of Port 2 (EX0IN-EX7IN on P2.8-P2.15) can individually be programmed to this fast interrupt mode, where also the trigger transition (rising, falling or both) can be selected. The External Interrupt Control register EXICON controls this feature for all 8 pins.



Bit	Function
EXIxES	External Interrupt x Edge Selection Field (x=7...0) 0 0: Fast external interrupts disabled: standard mode 0 1: Interrupt on positive edge (rising) 1 0: Interrupt on negative edge (falling) 1 1: Interrupt on any edge (rising or falling)

External Interrupt Control Registers		
Register	Address	Reg. Space
CC8IC	FF88h/C4h	SFR
CC9IC	FF8Ah/C5h	SFR
CC10IC	FF8Ch/C6h	SFR
CC11IC	FF8Eh/C7h	SFR
CC12IC	FF90h/C8h	SFR
CC13IC	FF92h/C9h	SFR
CC14IC	FF94h/CAh	SFR
CC15IC	FF96h/CBh	SFR

Note: The fast external interrupt inputs are sampled every 50 ns. The interrupt request arbitration and processing, however, is executed every 200 ns (both @ 20 MHz CPU clock).

Note: Please refer to the general interrupt control register description for an explanation of the control fields.

4.9 TRAP FUNCTIONS

Traps interrupt the current execution similar to standard interrupts. However, trap functions offer the possibility to bypass the interrupt system's prioritization process in cases where immediate system reaction is required. Trap functions are not maskable and always have priority over interrupt requests on any priority level.

The ST10R163 provides two different kinds of trapping mechanisms. **Hardware traps** are triggered by events that occur during program execution (eg. illegal access or undefined opcode), **software traps** are initiated via an instruction within the current execution flow.

Software Traps

The TRAP instruction is used to cause a software call to an interrupt service routine. The trap number that is specified in the operand field of the trap instruction determines which vector location in the address range from 00'000Ch through 00'01FCh will be branched to.

Executing a TRAP instruction causes a similar effect as if an interrupt at the same vector had occurred. PSW, CSP (in segmentation mode), and IP are pushed on the internal system stack and a jump is taken to the specified vector location. When segmentation is enabled and a trap is executed, the CSP for the trap service routine is set to code segment 0. No Interrupt Request flags are affected by the TRAP instruction. The interrupt service routine called by a TRAP instruction must be terminated with a RETI (return from interrupt) instruction to ensure correct operation.

Note: The CPU level in register PSW is not modified by the TRAP instruction, so the service routine is executed on the same priority level from which it was invoked. Therefore, the service routine entered by the TRAP instruction can be interrupted by other traps or higher priority interrupts, other than when triggered by a hardware trap.

Hardware Traps

Hardware traps are issued by faults or specific system states that occur during runtime of a pro-

gram (not identified at assembly time). A hardware trap may also be triggered intentionally, eg. to emulate additional instructions by generating an Illegal Opcode trap. The ST10R163 distinguishes eight different hardware trap functions. When a hardware trap condition has been detected, the CPU branches to the trap vector location for the respective trap condition. Depending on the trap condition, the instruction which caused the trap is either completed or cancelled (ie. it has no effect on the system state) before the trap handling routine is entered.

Hardware traps are non-maskable and always have priority over every other CPU activity. If several hardware trap conditions are detected within the same instruction cycle, the highest priority trap is serviced (see table in section "Interrupt System Structure").

PSW, CSP (in segmentation mode), and IP are pushed on the internal system stack and the CPU level in register PSW is set to the highest possible priority level (ie. level 15), disabling all interrupts. The CSP is set to code segment zero, if segmentation is enabled. A trap service routine must be terminated with the RETI instruction.

The eight hardware trap functions of the ST10R163 are divided into two classes:

Class A traps are

- external Non-Maskable Interrupt (\overline{NMI})
- Stack Overflow
- Stack Underflow trap

These traps share the same trap priority, but have an individual vector address.

Class B traps are

- Undefined Opcode
- Protection Fault
- Illegal Word Operand Access
- Illegal Instruction Access
- Illegal External Bus Access Trap

These traps share the same trap priority, and the same vector address.

4 - INTERRUPT AND TRAP FUNCTIONS (ST10R163)

T TRAP FUNCTIONS (Cont'd)

The bit-addressable Trap Flag Register (TFR) allows a trap service routine to identify the kind of trap which caused the exception. Each trap func-

tion is indicated by a separate request flag. When a hardware trap occurs, the corresponding request flag in register TFR is set to '1'.

TFR (FFACh / D6h)

SFR

Reset Value: 0000h

15	14	13	12	11	10	9	8	7	6	5	4	3	2	1	0
NMI	STK OF	STK UF	-	-	-	-	-	UND OPC	-	-	-	PRT FLT	ILL OPA	ILL INA	ILL BUS
rw	rw	rw	-	-	-	-	-	rw	-	-	-	rw	rw	rw	rw

Bit	Function
ILLBUS	Illegal External Bus Access Flag An external access has been attempted with no external bus defined.
ILLINA	Illegal Instruction Access Flag A branch to an odd address has been attempted.
ILLOPA	Illegal Word Operand Access Flag A word operand access (read or write) to an odd address has been attempted.
PRTFLT	Protection Fault Flag A protected instruction with an illegal format has been detected.
UNDOPC	Undefined Opcode Flag The currently decoded instruction has no valid ST10R163 opcode.
STKUF	Stack Underflow Flag The current stack pointer value exceeds the content of register STKUN.
STKOF	Stack Overflow Flag The current stack pointer value falls below the content of register STKOV.
NMI	Non Maskable Interrupt Flag A negative transition (falling edge) has been detected on pin NMI .

Note: The trap service routine must clear the respective trap flag, otherwise a new trap will be requested after exiting the service routine. Setting a trap request flag by software causes the same effects as if it had been set by hardware.

T TRAP FUNCTIONS (Cont'd)

The reset functions (hardware, software, watchdog) may be regarded as a type of trap. Reset functions have the highest system priority (trap priority III).

Class A traps have the second highest priority (trap priority II), on the 3rd rank are class B traps, so a class A trap can interrupt a class B trap. If more than one class A trap occur at a time, they are prioritized internally, with the NMI trap on the highest and the stack underflow trap on the lowest priority.

All class B traps have the same trap priority (trap priority I). When several class B traps get active at a time, the corresponding flags in the TFR register are set and the trap service routine is entered. Since all class B traps have the same vector, the priority of service of simultaneously occurring class B traps is determined by software in the trap service routine.

A class A trap occurring during the execution of a class B trap service routine will be serviced immediately. During the execution of a class A trap service routine, however, any class B trap occurring will not be serviced until the class A trap service routine is exited with a RETI instruction. In this case, the occurrence of the class B trap condition is stored in the TFR register, but the IP value of the instruction which caused this trap is lost.

In the case where e.g. an Undefined Opcode trap (class B) occurs simultaneously with an NMI trap (class A), both the NMI and the UNDOPC flag is set, the IP of the instruction with the undefined opcode is pushed onto the system stack, but the NMI trap is executed. After return from the NMI service routine, the IP is popped from the stack and immediately pushed again because of the pending UNDOPC trap.

External NMI Trap

Whenever a high to low transition on the dedicated external $\overline{\text{NMI}}$ pin (Non-Maskable Interrupt) is detected, the NMI flag in register TFR is set and the CPU will enter the NMI trap routine. The IP value pushed on the system stack is the address of the instruction following the one after which normal processing was interrupted by the NMI trap.

Stack Overflow Trap

Whenever the stack pointer is decremented to a value which is less than the value in the stack

overflow register STKOV, the STKOF flag in register TFR is set and the CPU will enter the stack overflow trap routine. Which IP value will be pushed onto the system stack depends on which operation caused the decrement of the SP. When an implicit decrement of the SP is made through a PUSH or CALL instruction, or upon interrupt or trap entry, the IP value pushed is the address of the following instruction. When the SP is decremented by a subtract instruction, the IP value pushed represents the address of the instruction after the instruction following the subtract instruction.

For recovery from stack overflow it must be ensured that there is enough excess space on the stack for saving the current system state (PSW, IP, in segmented mode also CSP) twice. Otherwise, a system reset should be generated.

Stack Underflow Trap

Whenever the stack pointer is incremented to a value which is greater than the value in the stack underflow register STKUN, the STKUF flag is set in register TFR and the CPU will enter the stack underflow trap routine. Again, which IP value will be pushed onto the system stack depends on which operation caused the increment of the SP. When an implicit increment of the SP is made through a POP or return instruction, the IP value pushed is the address of the following instruction. When the SP is incremented by an add instruction, the pushed IP value represents the address of the instruction after the instruction following the add instruction.

Undefined Opcode Trap

When the instruction currently decoded by the CPU does not contain a valid ST10R163 opcode, the UNDOPC flag is set in register TFR and the CPU enters the undefined opcode trap routine. The IP value pushed onto the system stack is the address of the instruction that caused the trap.

This can be used to emulate unimplemented instructions. The trap service routine can examine the faulting instruction to decode operands for unimplemented opcodes based on the stacked IP. In order to resume processing, the stacked IP value must be incremented by the size of the undefined instruction, which is determined by the user, before a RETI instruction is executed.

T TRAP FUNCTIONS (Cont'd)

Protection Fault Trap

Whenever one of the special protected instructions is executed where the opcode of that instruction is not repeated twice in the second word of the instruction and the byte following the opcode is not the complement of the opcode, the PRTFLT flag in register TFR is set and the CPU enters the protection fault trap routine. The protected instructions include DISWDT, EINIT, IDLE, PWRDN, SRST, and SRVWDT. The IP value pushed onto the system stack for the protection fault trap is the address of the instruction that caused the trap.

Illegal Word Operand Access Trap

Whenever a word operand read or write access is attempted to an odd byte address, the ILLOPA flag in register TFR is set and the CPU enters the illegal word operand access trap routine. The IP value pushed onto the system stack is the address of the instruction following the one which caused the trap.

Illegal Instruction Access Trap

Whenever a branch is made to an odd byte address, the ILLINA flag in register TFR is set and the CPU enters the illegal instruction access trap routine. The IP value pushed onto the system stack is the illegal odd target address of the branch instruction.

Illegal External Bus Access Trap

Whenever the CPU requests an external instruction fetch, data read or data write, and no external bus configuration has been specified, the ILLBUS flag in register TFR is set and the CPU enters the illegal bus access trap routine. The IP value pushed onto the system stack is the address of the instruction following the one which caused the trap. However the ST10R165 being a romless microcontroller, an external bus must be defined and such a trap should never occur.

5 - PARALLEL PORTS

In order to accept or generate single external control signals or parallel data, the ST10R163 provides up to 77 parallel IO lines organized into seven 8-bit IO ports (PORT0 made of P0H and P0L, PORT1 made of P1H and P1L, Port 2, Port 6), one 15-bit IO port (Port 3), one 8-bit IO port (Port 4) and one 6-bit input port (Port 5).

These port lines may be used for general purpose Input/Output controlled via software or may be used implicitly by ST10R163's integrated peripherals or the External Bus Controller.

Using part as General Purpose I/O lines.

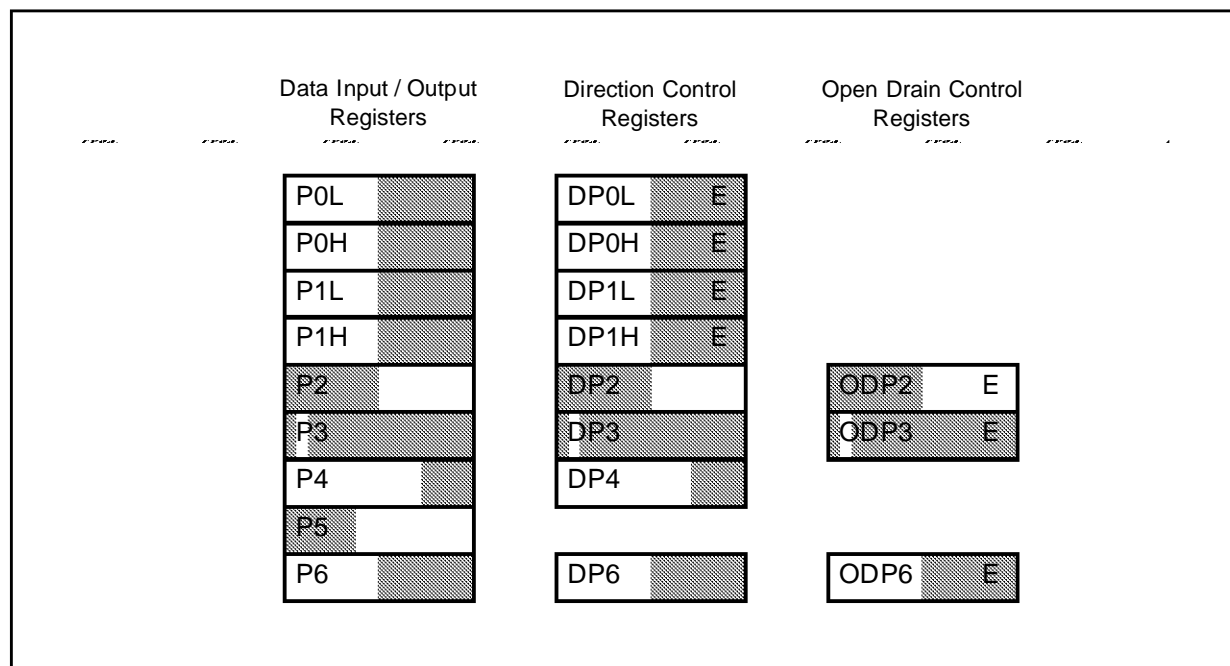
All port lines are bit addressable, and all input/output lines are individually (bit-wise) programmable as inputs or outputs via direction registers (except Port 5). The IO ports are true bidirectional ports which are switched to high impedance state when configured as inputs. The output drivers of three IO ports (2, 3, 6) can be configured (pin by pin) for

push/pull operation or open-drain operation via control registers. The logic level of a pin is clocked into the input latch once per state time, regardless whether the port is configured for input or output.

A write operation to a port pin configured as an input causes the value to be written into the port output latch, while a read operation returns the latched state of the pin itself. A read-modify-write operation reads the value of the pin, modifies it, and writes it back to the output latch.

Writing to a pin configured as an output (DPx.y='1') causes the output latch and the pin to have the written value, since the output buffer is enabled. Reading this pin returns the value of the output latch. A read-modify-write operation reads the value of the output latch, modifies it, and writes it back to the output latch, thus also modifying the level at the pin.

Figure 2-1. SFRs and Pins associated with the Parallel Ports



Note: E: ESFR located in the ESFR space

5 - PARALLEL PORTS (ST10R163)

In the ST10R163 certain ports provide Open Drain Control, which allows to switch the output driver of a port pin from a push/pull configuration to an open drain configuration. In push/pull mode a port output driver has an upper and a lower transistor, thus it can actively drive the line either to a high or a low level. In open drain mode the upper transistor is always switched off, and the output driver can only actively drive the line to a low level. When writing a '1' to the port latch, the lower transistor is switched off and the output enters a high-impedance state. The high level must then be provided by an external pullup device. With this feature, it is possible to connect several port pins together to a Wired-AND configuration, saving external glue logic and/or additional software overhead for enabling/disabling output signals.

This feature is implemented for ports P2, P3 and P6 (see respective sections), and is controlled through the respective Open Drain Control Registers ODPx . These registers allow the individual bit-wise selection of the open drain mode for each port line. If the respective control bit ODPx.y is '0' (default after reset), the output driver is in the

push/pull mode. If ODPx.y is '1', the open drain configuration is selected. Note that all ODPx registers are located in the ESFR space.

Each port line has one programmable alternate input or output function associated with it.

Each port line has one programmable alternate input or output function associated with it.

PORT0 and PORT1 may be used as the address and data lines when accessing external memory.

Port 4 outputs the additional segment address bits A23/19/17...A16 in systems where more than 64 KBytes of memory are to be accessed directly.

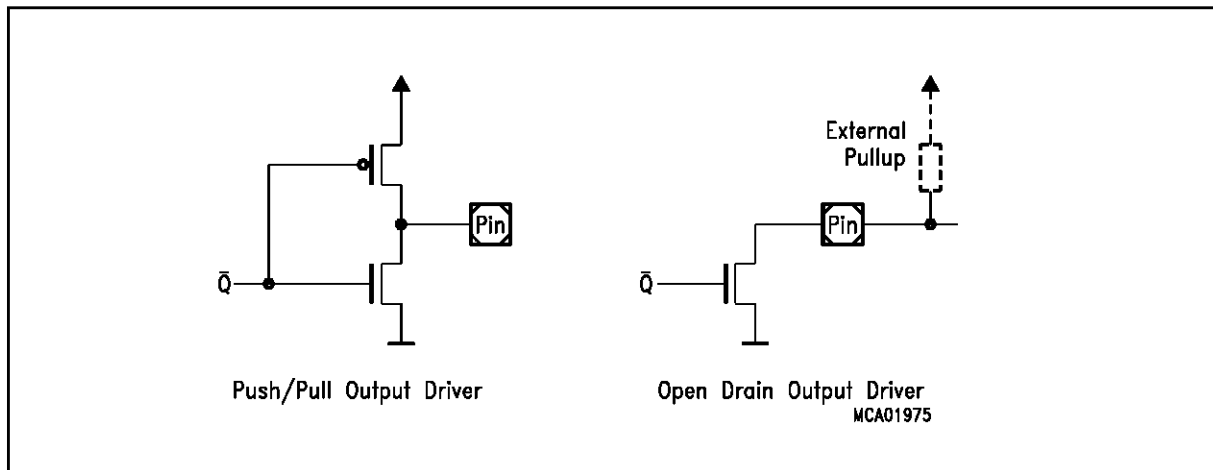
Port 6 provides the optional chip select outputs and the bus arbitration lines.

Port 2 is used for fast external interrupt inputs.

Port 3 includes alternate input/output functions of timers, serial interface, the optional bus control signal BHE and the system clock output (CLK-OUT).

Port 5 is used for timer control signals.

Figure 2-2 Output Drivers in Push/Pull Mode and in Open Drain Mode



Alternate Input or Output function of Port

If an alternate output function of a pin is to be used, the direction of this pin must be programmed for output (DPx.y='1'), except for some signals that are used directly after reset and are configured automatically. Otherwise the pin remains in the high-impedance state and is not affected by the alternate output function. The respective port latch should hold a '1', because its output is ANDed with the alternate output data.

If an alternate input function of a pin is used, the direction of the pin must be programmed for input (DPx.y='0') if an external device is driving the pin. The input direction is the default after reset. If no external device is connected to the pin, however, one can also set the direction for this pin to output. In this case, the pin reflects the state of the port output latch. Thus, the alternate input function reads the value stored in the port output latch. This can be used for testing purposes to allow a software trigger of an alternate input function by writing to the port output latch.

On most of the port lines, the user software is responsible for setting the proper direction when using an alternate input or output function of a pin. This is done by setting or clearing the direction control bit DPx.y of the pin before enabling the alternate function. There are port lines, however, where the direction of the port line is switched automatically. For instance, in the multiplexed external bus modes of PORT0, the direction must be switched several times for an instruction fetch in order to output the addresses and to input the data. Obviously, this cannot be done through instructions. In these cases, the direction of the port line is switched automatically by hardware if the alternate function of such a pin is enabled.

To determine the appropriate level of the port out-

put latches check how the alternate data output is combined with the respective port latch output.

There is one basic structure for all port lines with only an alternate input function. Port lines with only an alternate output function, however, have different structures due to the way the direction of the pin is switched and depending on whether the pin is accessible by the user software or not in the alternate function mode.

All port lines that are not used for these alternate functions may be used as general purpose IO lines. When using port pins for general purpose output, the initial output value should be written to the port latch prior to enabling the output drivers, in order to avoid undesired transitions on the output pins. This applies to single pins as well as to pin groups (see examples below).

```
SINGLE_BIT: BSET  P4.7
; Initial output level is "high"
          BSET  DP4.7
; Switch on the output driver
```

```
BIT_GROUP: BFLDH P4, #24h, #24h
; Initial output level is "high"
          BFLDH DP4, #24h, #24h
; Switch on the output drivers
```

Note: When using several BSET pairs to control more pins of one port, these pairs must be separated by instructions, which do not reference the respective port (see "Particular Pipeline Effects" in chapter "The Central Processing Unit").

Each of these ports and the alternate input and output functions are described in detail in the following subsections.

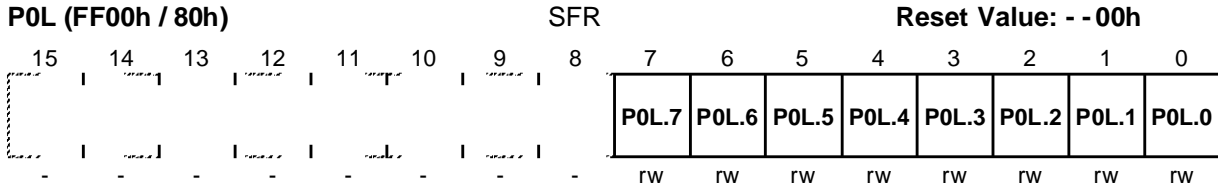
5 - PARALLEL PORTS (ST10R163)

5.1 PORT 0

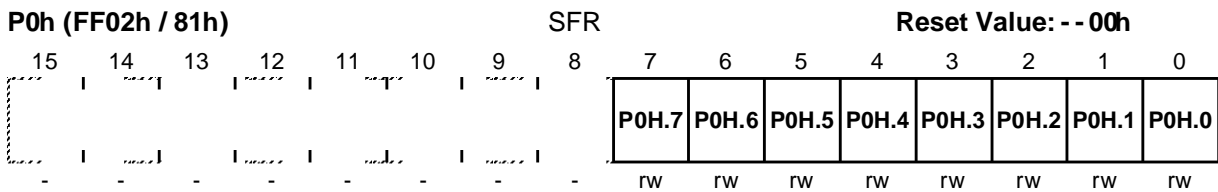
The two 8-bit ports P0H and P0L represent the higher and lower part of PORT0, respectively. Both halves of PORT0 can be written (eg. via a PEC transfer) without affecting the other half.

If this port is used for general purpose IO, the direction of each line can be configured via the corresponding direction registers DP0H and DP0L.

P0L (FF00h / 80h)

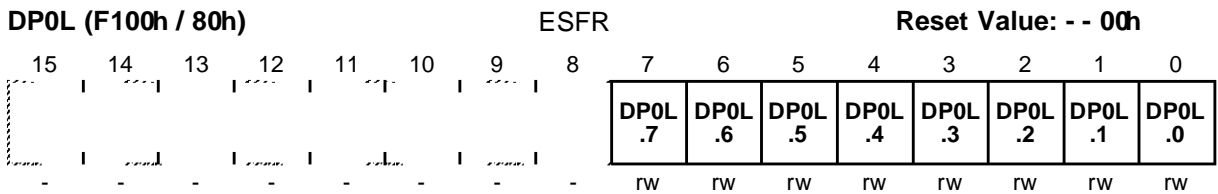


P0h (FF02h / 81h)

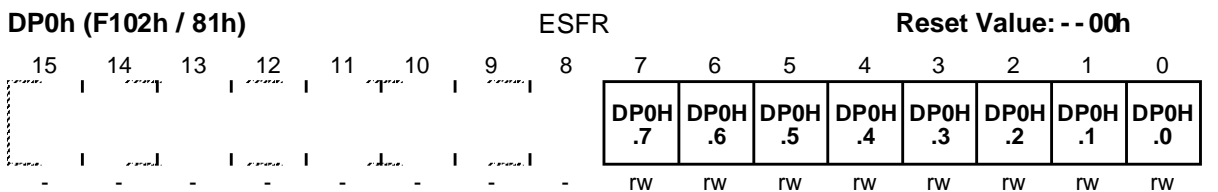


Bit	Function
P0X.y	Port data register P0H or P0L bit y

DP0L (F100h / 80h)



DP0h (F102h / 81h)



Bit	Function
DP0X.y	Port direction register DP0H or DP0L bit y DP0X.y = 0: Port line P0X.y is an input (high-impedance) DP0X.y = 1: Port line P0X.y is an output

PORT 0 (Cont'd)

5.1.1 Alternate Functions of PORT0

When an external bus is enabled, PORT0 is used as data bus or address/data bus.

Note that an external 8-bit demultiplexed bus only uses P0L, while P0H is free for IO (provided that no other bus mode is enabled).

PORT0 is also used to select the system startup configuration. During reset, PORT0 is configured to input, and each line is held high through an internal pullup device. Each line can then be individually pulled to a low level (see DC-level specifications in the respective Data Sheets) through an external pulldown device. A default configuration is selected when the respective PORT0 lines are at a high level. Through pulling individual lines to a low level, this default can be changed according to the needs of the applications.

The internal pullup devices are designed such that an external pulldown resistors (see Data Sheet specification) can be used to apply a correct low level. These external pulldown resistors can remain connected to the PORT0 pins also during normal operation, however, care has to be taken such that they do not disturb the normal function of PORT0 (this might be the case, for example, if the

external resistor is too strong).

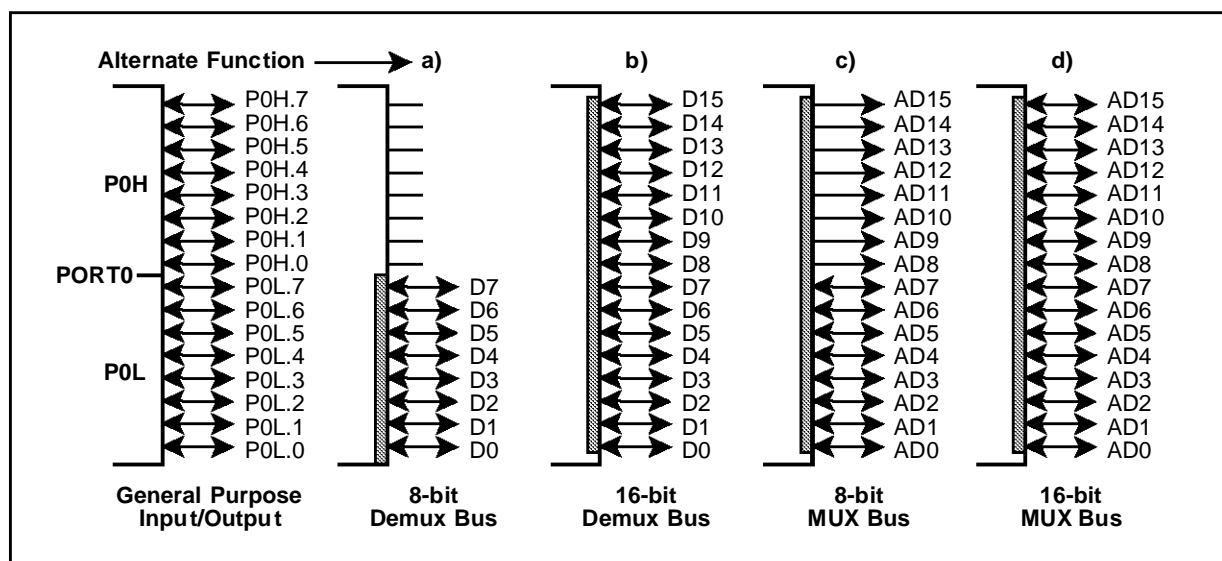
With the end of reset, the selected bus configuration will be written to the BUSCON0 register. The configuration of the high byte of PORT0, will be copied into the special register RP0H. This read-only register holds the selection for the number of chip selects and segment addresses. Software can read this register in order to react according to the selected configuration, if required.

When the reset is terminated, the internal pullup devices are switched off, and PORT0 will be switched to the appropriate operating mode.

During external accesses in multiplexed bus modes PORT0 first outputs the 16-bit intra-segment address as an alternate output function. PORT0 is then switched to high-impedance input mode to read the incoming instruction or data. In 8-bit data bus mode, two memory cycles are required for word accesses, the first for the low byte and the second for the high byte of the word. During write cycles PORT0 outputs the data byte or word after outputting the address.

During external accesses in demultiplexed bus modes PORT0 reads the incoming instruction or data word or outputs the data byte or word.

Figure 2-3. PORT0 IO and Alternate Functions



5 - PARALLEL PORTS (ST10R163)

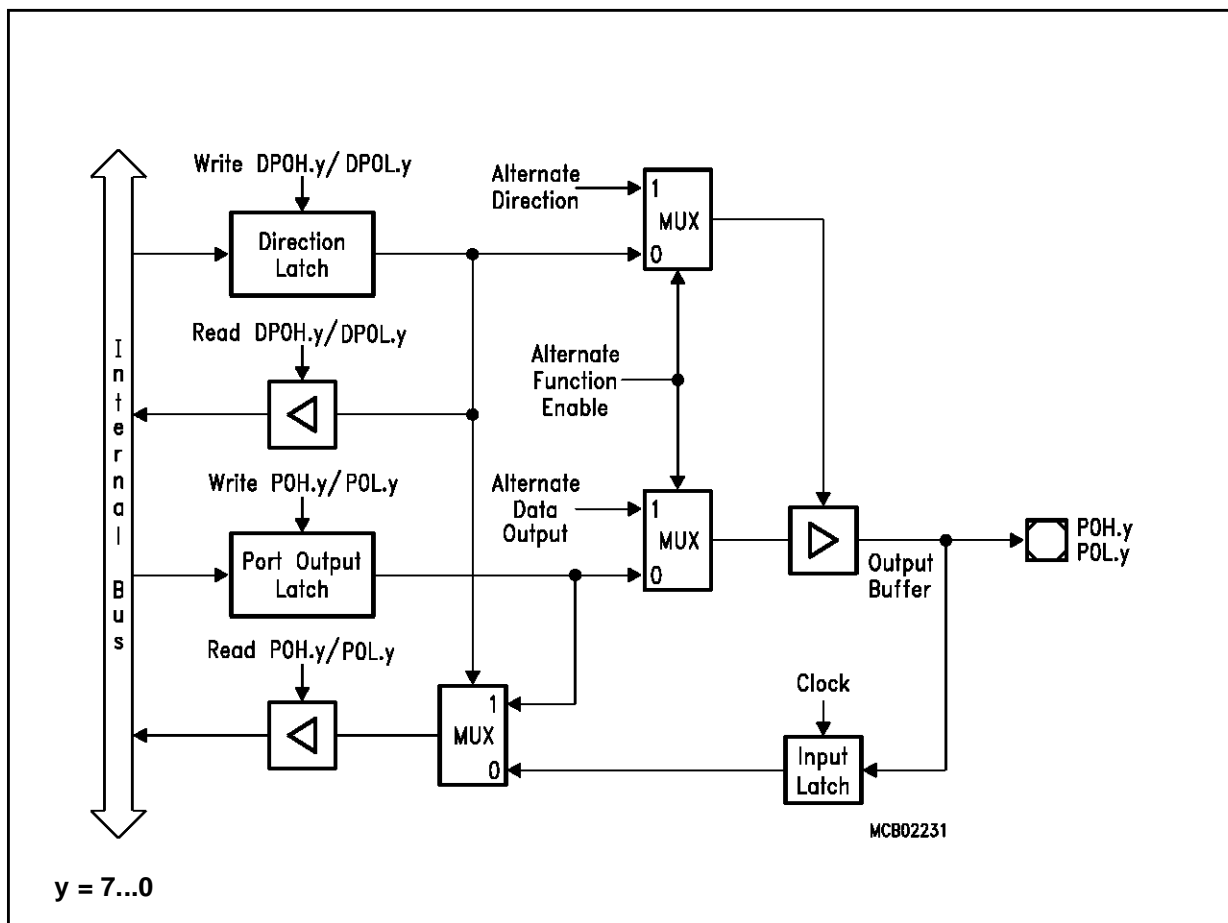
PORT 0 (Cont'd)

When an external bus mode is enabled, the direction of the port pin and the loading of data into the port output latch are controlled by the bus controller hardware. The input of the port output latch is disconnected from the internal bus and is switched to the line labeled "Alternate Data Output" via a multiplexer. The alternate data can be the 16-bit intrasegment address or the 8/16-bit data information. The incoming data on PORT0 is read on the line "Alternate Data Input". While an

external bus mode is enabled, the user software should not write to the port output latch, otherwise unpredictable results may occur. When the external bus modes are disabled, the contents of the direction register last written by the user becomes active.

The figure below shows the structure of a PORT0 pin.

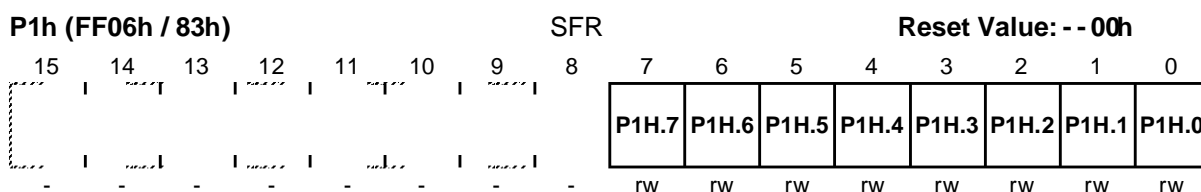
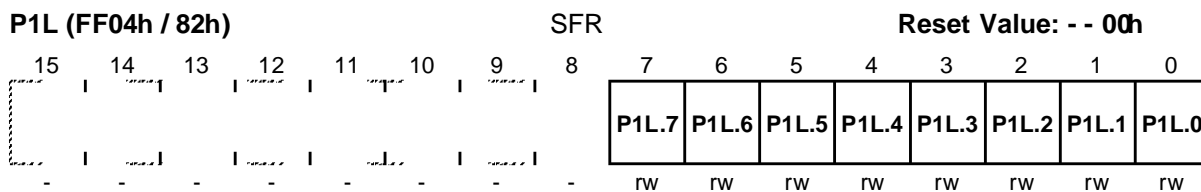
Figure 2-4. Block Diagram of a PORT0 Pin



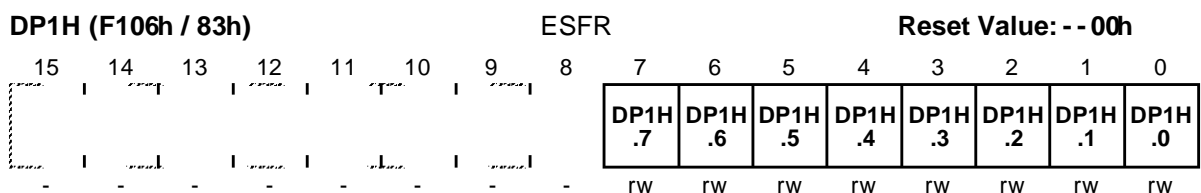
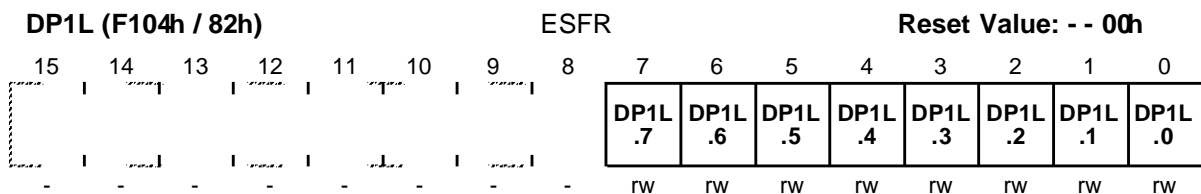
5.2 PORT 1

The two 8-bit ports P1H and P1L represent the higher and lower part of PORT1, respectively. Both halves of PORT1 can be written (eg. via a PEC transfer) without affecting the other half.

If this port is used for general purpose IO, the direction of each line can be configured via the corresponding direction registers DP1H and DP1L.



Bit	Function
P1X.y	Port data register P1H or P1L bit y



Bit	Function
DP1X.y	Port direction register DP1H or DP1L bit y DP1X.y = 0: Port line P1X.y is an input (high-impedance) DP1X.y = 1: Port line P1X.y is an output

PORT 1 (Cont'd)

5.2.1 Alternate Functions of PORT1

When a demultiplexed external bus is enabled, PORT1 is used as address bus.

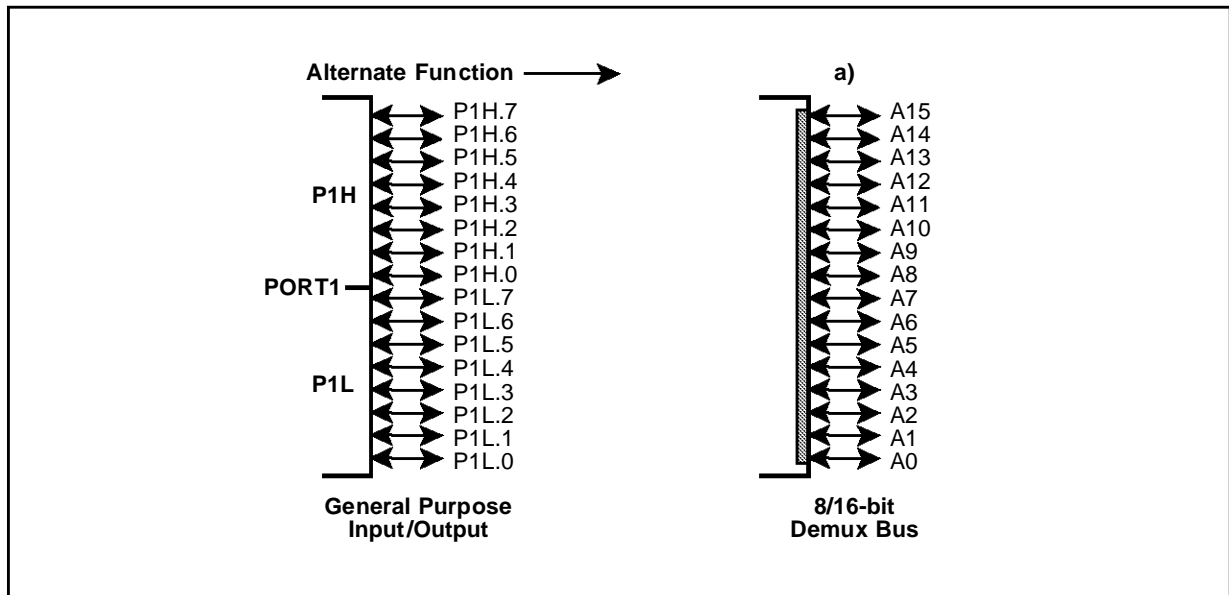
Note that demultiplexed bus modes use PORT1 as a 16-bit port. Otherwise all 16 port lines can be used for general purpose IO.

During external accesses in demultiplexed bus modes PORT1 outputs the 16-bit intra-segment address as an alternate output function.

During external accesses in multiplexed bus modes, when no BUSCON register selects a demultiplexed bus mode, PORT1 is not used and is available for general purpose IO.

When an external bus mode is enabled, the direction of the port pin and the loading of data into the port output latch are controlled by the bus controller hardware. The input of the port output latch is disconnected from the internal bus and is switched to the line labeled "Alternate Data Output" via a multiplexer. The alternate data is the 16-bit intrasegment address. While an external bus mode is enabled, the user software should not write to the port output latch, otherwise unpredictable results may occur. When the external bus modes are disabled, the contents of the direction register last written by the user becomes active.

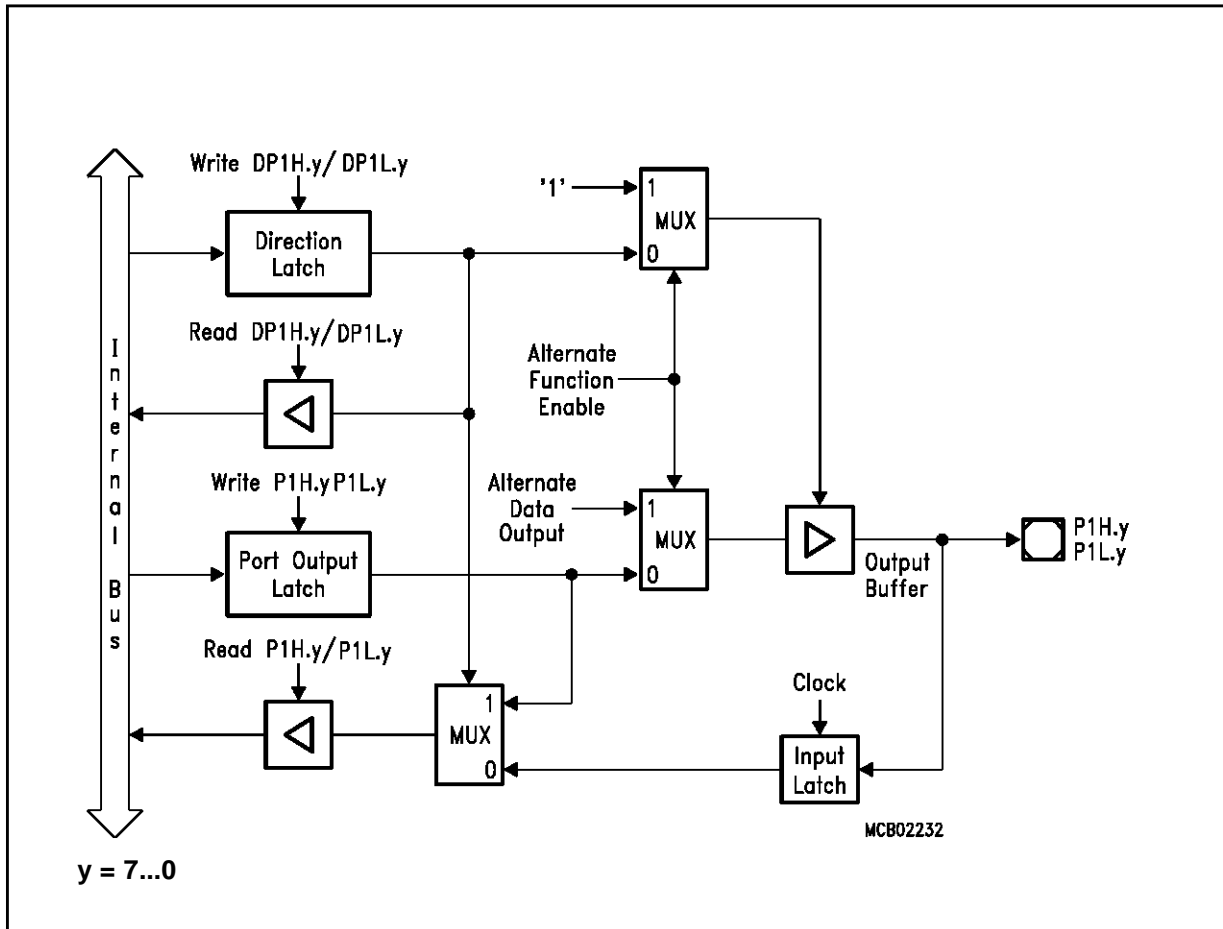
Figure 2-5. PORT1 IO and Alternate Functions



PORT 1 (Cont'd)

The figure below shows the structure of a PORT1 pin.

Figure 2-6. Block Diagram of a PORT1 Pin



5 - PARALLEL PORTS (ST10R163)

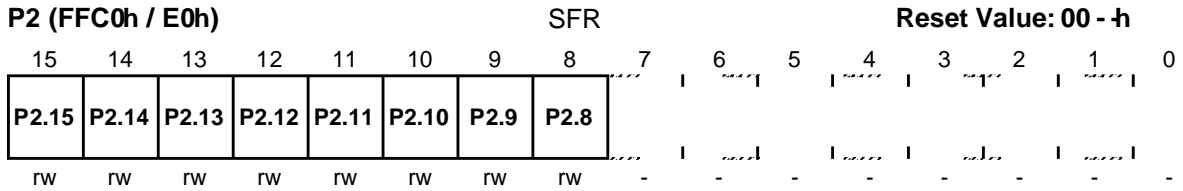
5.3 PORT 2

In the ST10R163 Port 2 is an 8-bit port. If Port 2 is used for general purpose IO, the direction of each line can be configured via the corresponding direction register DP2. Each port line can be

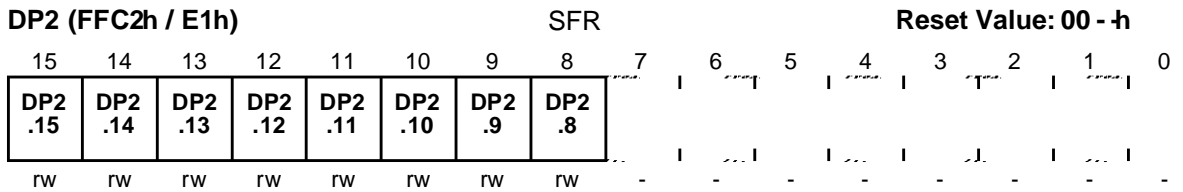
switched into push/pull or open drain mode via the open drain control register ODP2.

5.3.1 Alternate Functions of Port 2

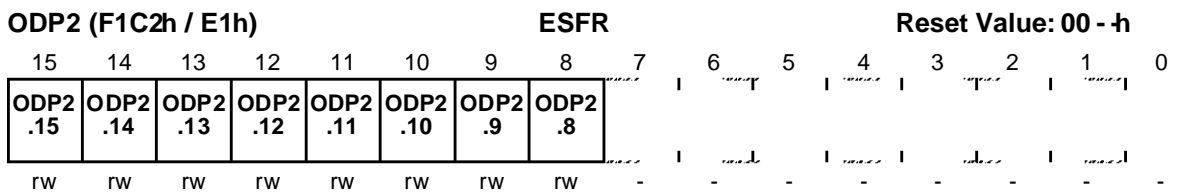
All Port 2 lines (P2.15...P2.8) can serve as Fast External Interrupt inputs (EX7IN...EX0IN).



Bit	Function
P2.y	Port data register P2 bit y



Bit	Function
DP2.y	Port direction register DP2 bit y DP2.y = 0: Port line P2.y is an input (high-impedance) DP2.y = 1: Port line P2.y is an output



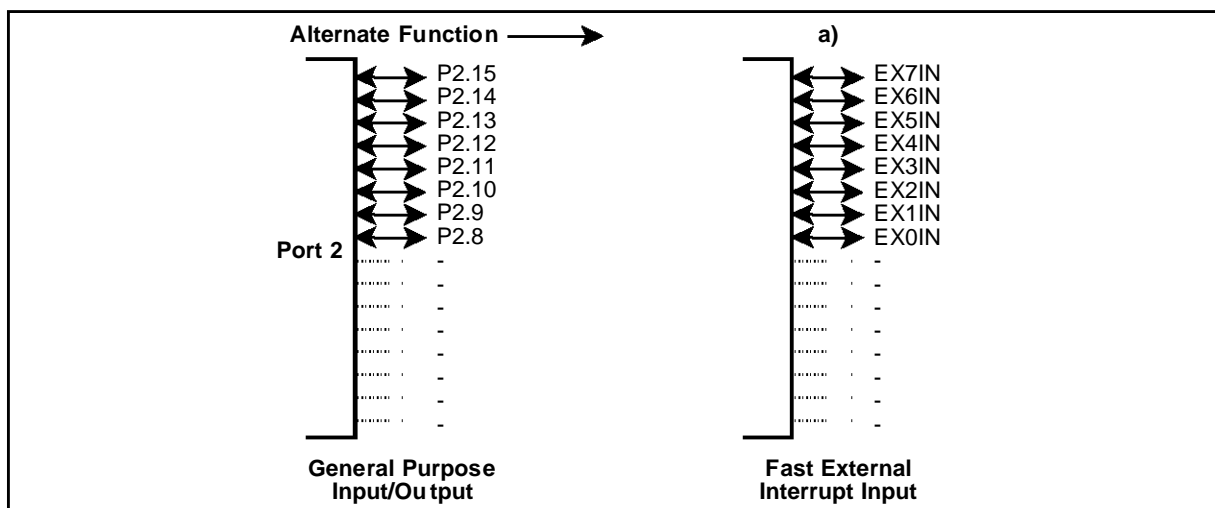
Bit	Function
ODP2.y	Port 2 Open Drain control register bit y ODP2.y = 0: Port line P2.y output driver in push/pull mode ODP2.y = 1: Port line P2.y output driver in open drain mode

PORT 2 (Cont'd)

The table below summarizes the alternate functions of Port 2.

Port 2 Pin	Alternate Function
P2.8	EX0IN Fast External Interrupt 0 Input
P2.9	EX1IN Fast External Interrupt 1 Input
P2.10	EX2IN Fast External Interrupt 2 Input
P2.11	EX3IN Fast External Interrupt 3 Input
P2.12	EX4IN Fast External Interrupt 4 Input
P2.13	EX5IN Fast External Interrupt 5 Input
P2.14	EX6IN Fast External Interrupt 6 Input
P2.15	EX7IN Fast External Interrupt 7 Input

Figure 2-7. Port 2 IO and Alternate Functions

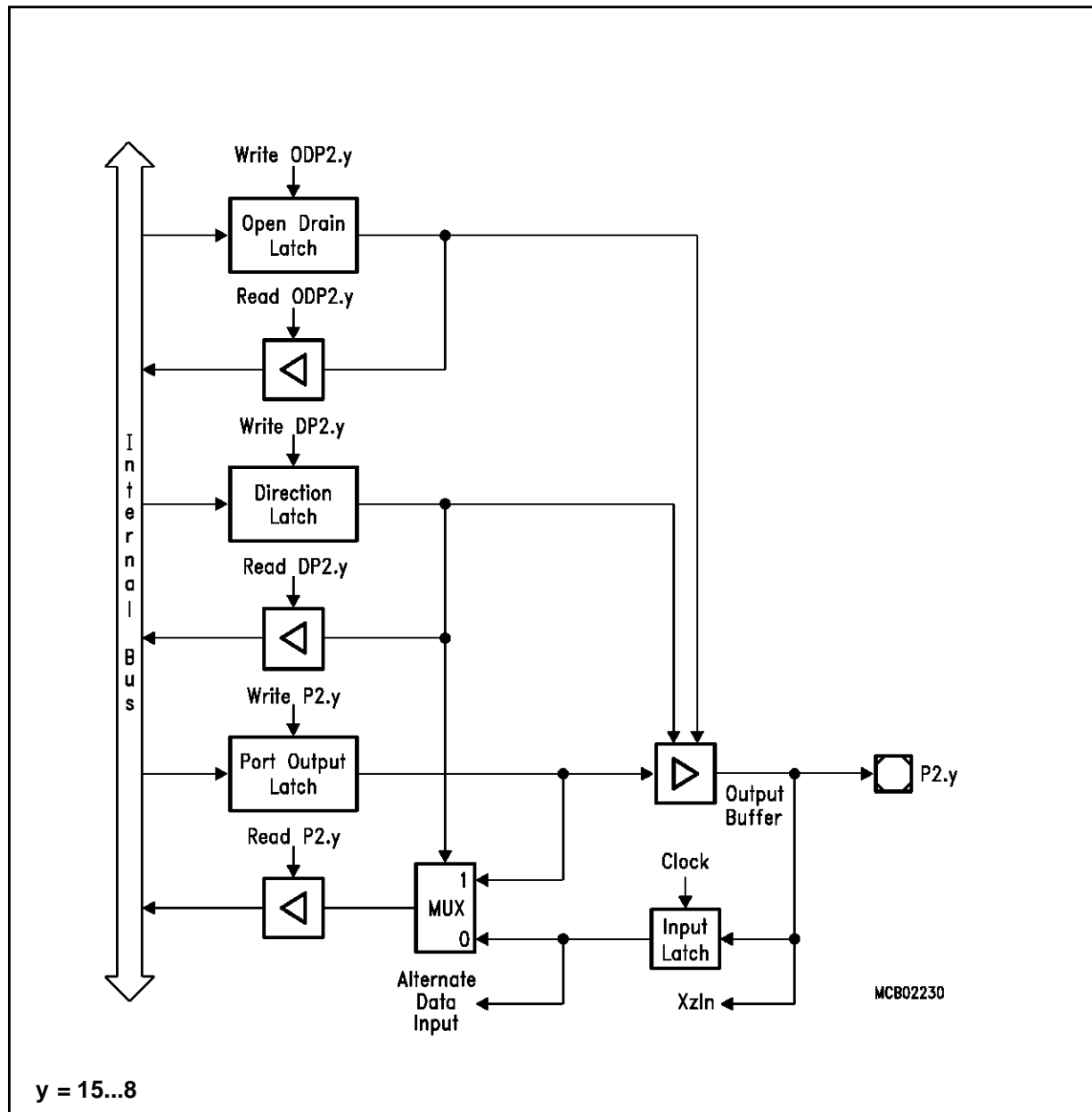


5 - PARALLEL PORTS (ST10R163)

PORT 2 (Cont'd)

The pins of Port 2 combine internal bus data and alternate data output before the port latch input.

Figure 2-8. Block Diagram of a Port 2 Pin



y = 15...8

5.4 PORT 3

If this 15-bit port is used for general purpose IO, the direction of each line can be configured via the corresponding direction register DP3. Most port lines can be switched into push/pull or open drain mode via the open drain control register ODP3

(pins P3.15, P3.14 and P3.12 do not support open drain mode!).

Due to pin limitations register bit P3.14 is not connected to an output pin.

P3 (FFC4h / E2h)

SFR

Reset Value: 0000h

15	14	13	12	11	10	9	8	7	6	5	4	3	2	1	0
P3.15	-	P3.13	P3.12	P3.11	P3.10	P3.9	P3.8	P3.7	P3.6	P3.5	P3.4	P3.3	P3.2	P3.1	P3.0
rw	-	rw	rw	rw	rw	rw	rw	rw	rw	rw	rw	rw	rw	rw	rw

Bit	Function
P3.y	Port data register P3 bit y

Note: Register bit P3.14 is not connected to an IO pin.

DP3 (FFC6h / E3h)

SFR

Reset Value: 0000h

15	14	13	12	11	10	9	8	7	6	5	4	3	2	1	0
DP3 .15	-	DP3 .13	DP3 .12	DP3 .11	DP3 .10	DP3 .9	DP3 .8	DP3 .7	DP3 .6	DP3 .5	DP3 .4	DP3 .3	DP3 .2	DP3 .1	DP3 .0
rw	-	rw	rw	rw	rw	rw	rw	rw	rw	rw	rw	rw	rw	rw	rw

Bit	Function
DP3.y	Port direction register DP3 bit y DP3.y = 0: Port line P3.y is an input (high-impedance) DP3.y = 1: Port line P3.y is an output

ODP3 (F1C6h / E3h)

ESFR

Reset Value: 0000h

15	14	13	12	11	10	9	8	7	6	5	4	3	2	1	0
-	-	ODP3 .13	-	ODP3 .11	ODP3 .10	ODP3 .9	ODP3 .8	ODP3 .7	ODP3 .6	ODP3 .5	ODP3 .4	ODP3 .3	ODP3 .2	ODP3 .1	ODP3 .0
-	-	rw	-	rw	rw	rw	rw	rw	rw	rw	rw	rw	rw	rw	rw

Bit	Function
ODP3.y	Port 3 Open Drain control register bit y ODP3.y = 0: Port line P3.y output driver in push/pull mode ODP3.y = 1: Port line P3.y output driver in open drain mode

5 - PARALLEL PORTS (ST10R163)

PORT3 (Cont'd)

5.4.1 Alternate Functions of Port 3

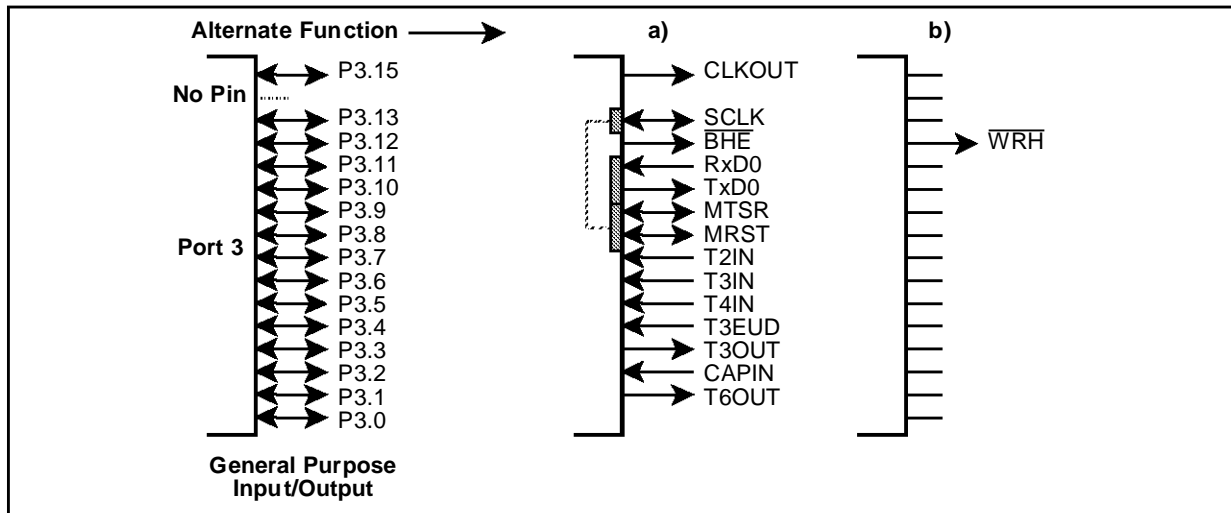
The pins of Port 3 serve for various functions which include external timer control lines, the two

serial interfaces and the control lines **BHE** and **CLKOUT**.

The table below summarizes the alternate functions of Port 3.

Port 3 Pin	Alternate Function
P3.0	-
P3.1	T6OUT Timer 6 Toggle Output
P3.2	CAPIN GPT2 Capture Input
P3.3	T3OUT Timer 3 Toggle Output
P3.4	T3EUD Timer 3 External Up/Down Control Input
P3.5	T4IN Timer 4 Count Input
P3.6	T3IN Timer 3 Count Input
P3.7	T2IN Timer 2 Count Input
P3.8	MRST SSC Master Receive / Slave Transmit
P3.9	MTSR SSC Master Transmit / Slave Receive
P3.10	TxD0 ASC0 Transmit Data Output
P3.11	RxD0 ASC0 Receive Data Input
P3.12	BHE/WRH Byte High Enable / Write High Output
P3.13	SCLK SSC Shift Clock Input/Output
P3.14	---
P3.15	CLKOUT System Clock Output

Figure 2-9. Port 3 IO and Alternate Functions



PORT3 (Cont'd)

The port structure of the Port 3 pins depends on their alternate function (see figures below).

When the on-chip peripheral associated with a Port 3 pin is configured to use the alternate input function, it reads the input latch, which represents the state of the pin, via the line labeled "Alternate Data Input". Port 3 pins with alternate input functions are:

T2IN, T3IN, T4IN, T3EUD and CAPIN.

When the on-chip peripheral associated with a Port 3 pin is configured to use the alternate output function, its "Alternate Data Output" line is ANDed with the port output latch line. When using these alternate functions, the user must set the direction of the port line to output (DP3.y=1) and must set the port output latch (P3.y=1). Otherwise the pin is in its high-impedance state (when configured as input) or the pin is stuck at '0' (when the port out-

put latch is cleared). When the alternate output functions are not used, the "Alternate Data Output" line is in its inactive state, which is a high level ('1'). Port 3 pins with alternate output functions are:

T6OUT, T3OUT, TxD0 and CLKOUT.

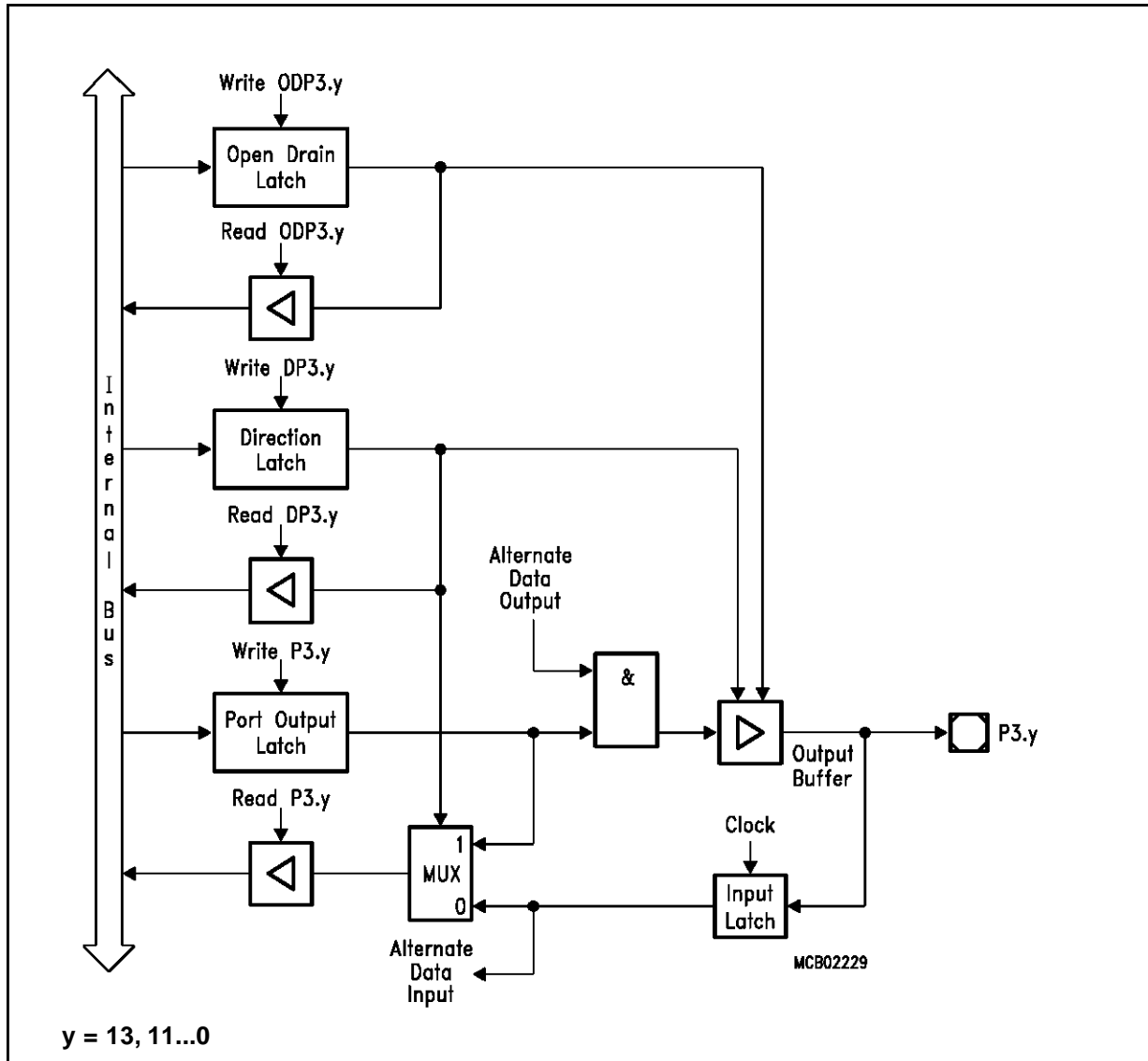
When the on-chip peripheral associated with a Port 3 pin is configured to use both the alternate input and output function, the descriptions above apply to the respective current operating mode. The direction must be set accordingly. Port 3 pins with alternate input/output functions are: MTSR, MRST, RxD0 and SCLK.

Note: Enabling the CLKOUT function automatically enables the P3.15 output driver. Setting bit DP3.15='1' is not required.

5 - PARALLEL PORTS (ST10R163)

PORT3 (Cont'd)

Figure 2-10. Block Diagram of a Port 3 Pin with Alternate Input or Alternate Output Function

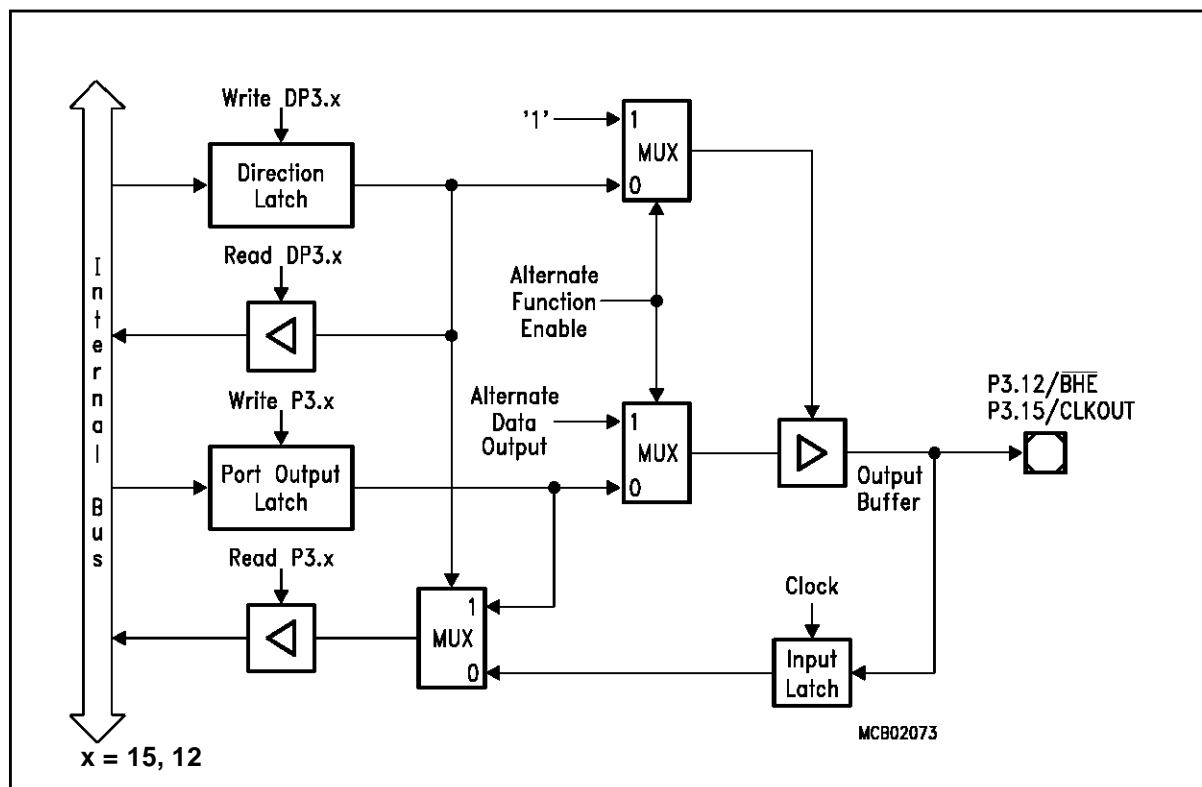


PORT3 (Cont'd)

Pin P3.12 ($\overline{\text{BHE}}/\text{WRH}$) is one more pin with an alternate output function. However, its structure is slightly different (see figure below), because after reset the $\overline{\text{BHE}}$ or WRH function must be used depending on the system startup configuration. In these cases there is no possibility to program any

port latches before. Thus the appropriate alternate function is selected automatically. If $\overline{\text{BHE}}/\text{WRH}$ is not used in the system, this pin can be used for general purpose IO by disabling the alternate function ($\text{BYTDIS} = '1' / \text{WRCFG} = '0'$).

Figure 2-11. Block Diagram of Pins P3.15 (CLKOUT) and P3.12 ($\overline{\text{BHE}}/\text{WRH}$)

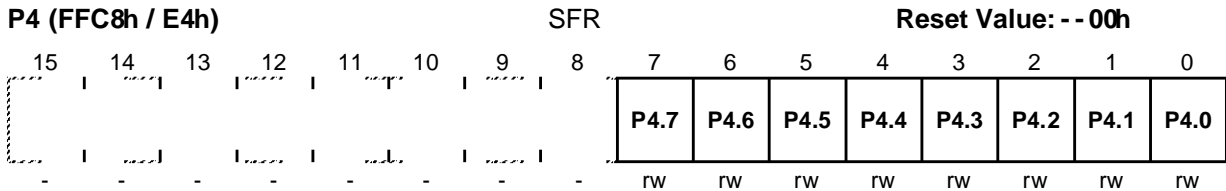


5 - PARALLEL PORTS (ST10R163)

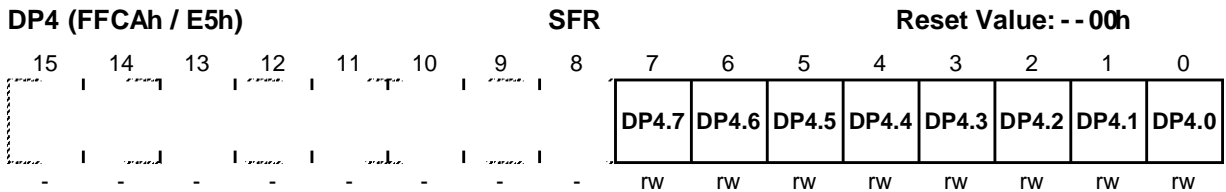
5.1 PORT 4

In the ST10R163, the Port 4 is an 8-bit port. If the SSP is disabled (bit SSPEN cleared in SYSCON register), Port 4 is used for general purpose IO (the direction of each line can be configured via the corresponding direction register DP4). If the SSP is enabled (bit SSPEN set), the 4 upper

pins are used for the Synchronous Serial Port (SSP) dedicated IO. The bits in the Port 4 Data Register (P4) and the Port 4 Direction Control Register (DP4) that correspond to the pins SSPCLK, SSPDATA, SSPDEN0 and SSPDEN1 are no influence on these pins.



Bit	Function
P4.y	Port data register P4 bit y



Bit	Function
DP4.y	Port direction register DP4 bit y DP4.y = 0: Port line P4.y is an input (high-impedance) DP4.y = 1: Port line P4.y is an output

PORT4 (Cont'd)

5.1.1 Alternate Functions of Port 4

During external bus cycles that use segmentation (ie. an address space above 64 KByte) a number of Port 4 pins may output the segment address lines. The number of pins that is used for segment address output determines the external address space which is directly accessible. The other pins of Port 4 (if any) may be used for general purpose IO. If segment address lines are selected, the alternate function of Port 4 may be necessary to access eg. external memory directly after reset. For

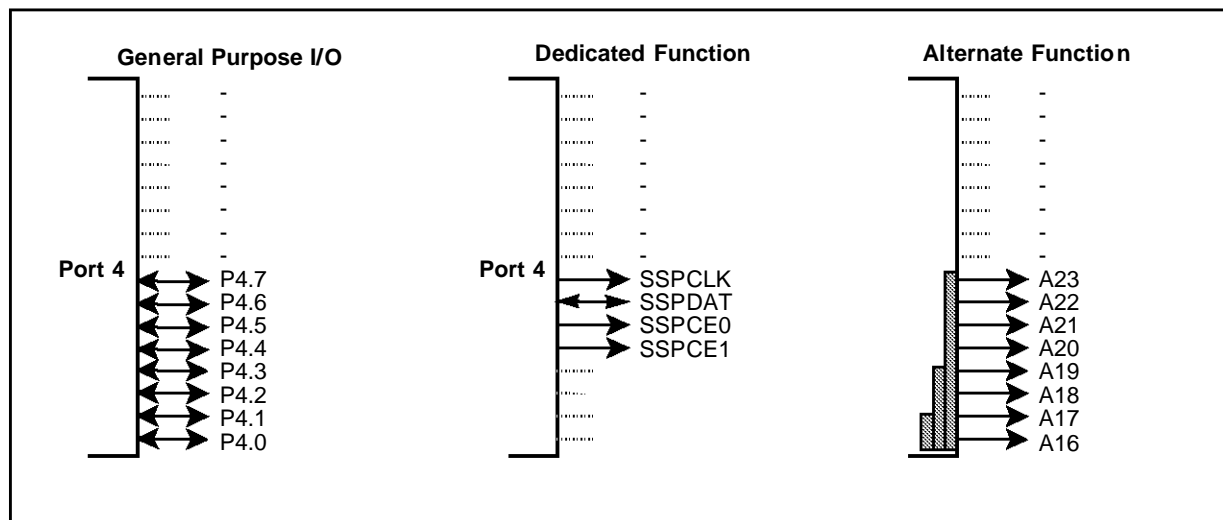
this reason Port 4 will be switched to its alternate function automatically.

The number of segment address lines is selected via PORT0 during reset. The selected value can be read from bitfield SALSEL in register RP0H (read only) eg. in order to check the configuration during run time.

The table below summarizes the alternate functions of Port 4 depending on the number of selected segment address lines (coded via bitfield SALSEL) and on the state of SSPEN control bit..

Port 4 Pin	Std. Function SALSEL=01 64 KB	Altern. Function SALSEL=11 256KB	Altern. Function SALSEL=00 1 MB	Altern. Function SALSEL=10 16 MB
P4.0	Gen. purpose IO	Seg. Address A16	Seg. Address A16	Seg. Address A16
P4.1	Gen. purpose IO	Seg. Address A17	Seg. Address A17	Seg. Address A17
P4.2	Gen. purpose IO	Gen. purpose IO	Seg. Address A18	Seg. Address A18
P4.3	Gen. purpose IO	Gen. purpose IO	Seg. Address A19	Seg. Address A19
P4.4	Gen. IO / SSPCE1	Gen. IO / SSPCE1	Gen. IO / SSPCE1	Seg. Address A20
P4.5	Gen. IO / SSPCE0	Gen. IO / SSPCE0	Gen. IO / SSPCE0	Seg. Address A21
P4.6	Gen. IO / SSPDAT	Gen. IO / SSPDAT	Gen. IO / SSPDAT	Seg. Address A22
P4.7	Gen. IO / SSPCLK	Gen. IO / SSPCLK	Gen. IO / SSPCLK	Seg. Address A23

Figure 2-12 Port 4 I/O and Alternate Functions



5 - PARALLEL PORTS (ST10R163)

PORT4 (Cont'd)

Figure 2-13. Block Diagram of Port 4 Pin P4.0 to P4.3

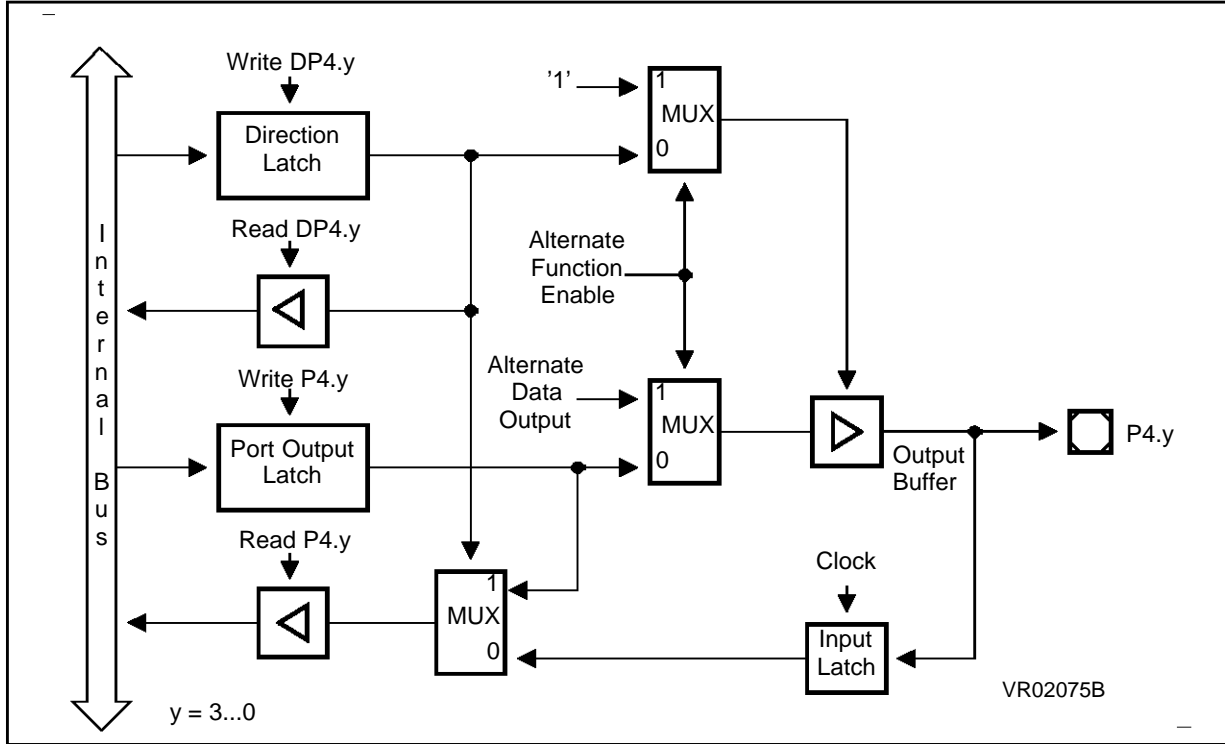
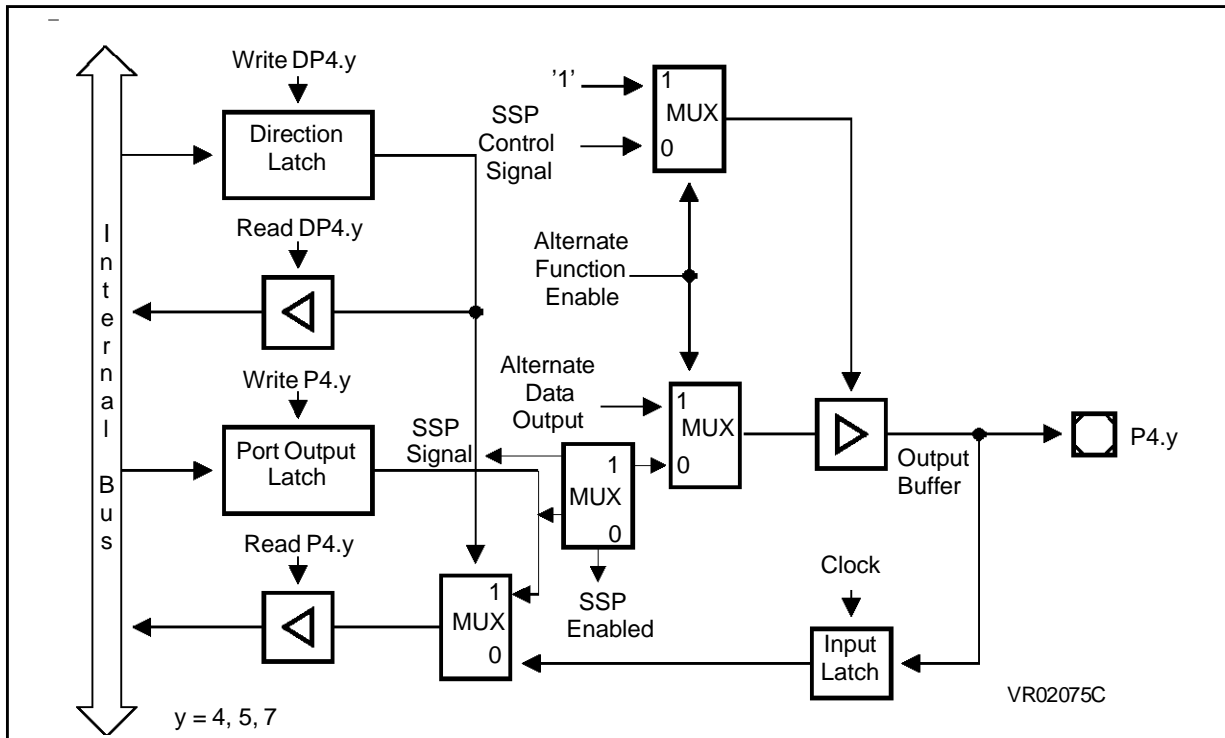
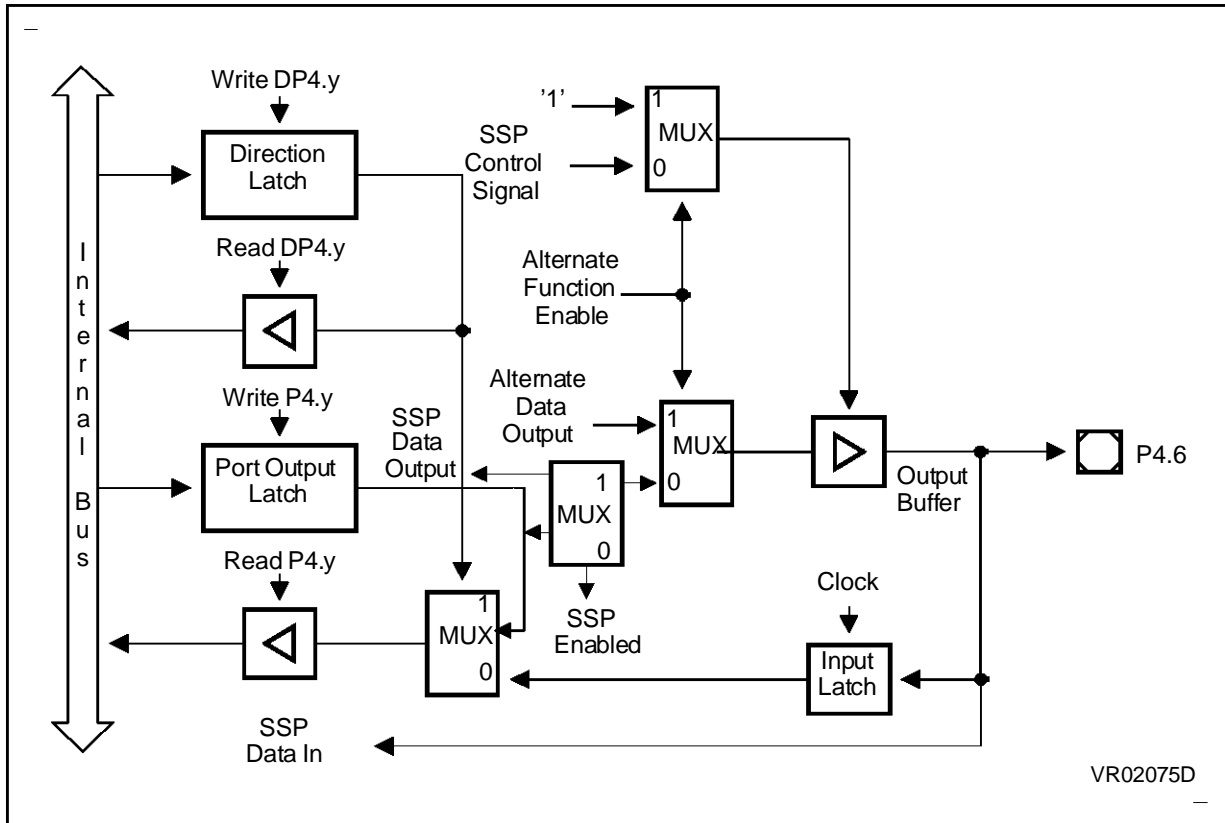


Figure 2-14. Block Diagram of Port 4 Pins SSPCE1/ A20, SSPCE0 / A21, SSPCLK / A2



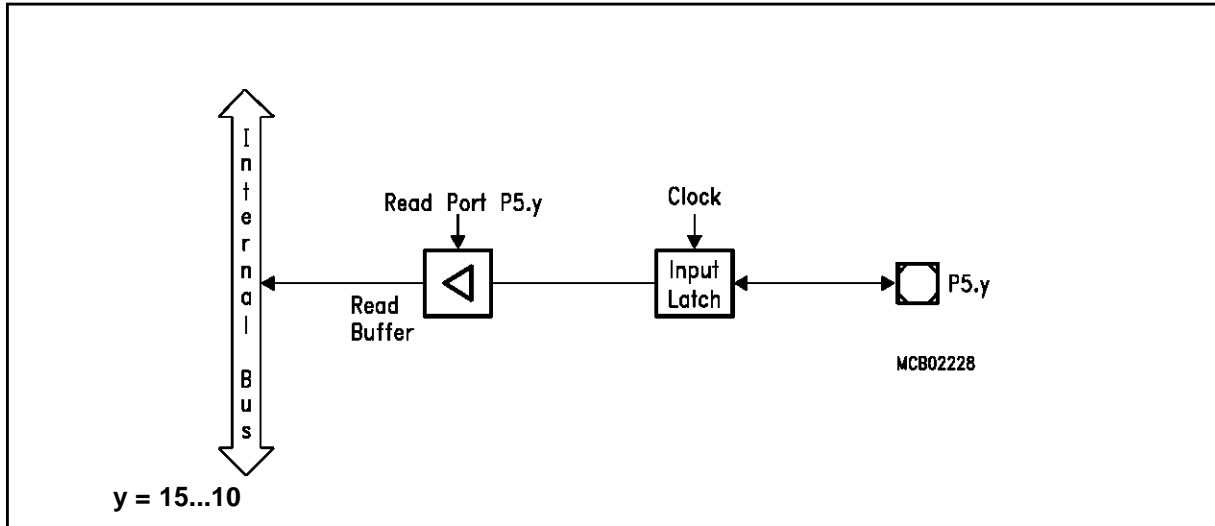
PORT4 (Cont'd)

Figure 2-15. Block Diagram of Port 4 Pin SSPDAT/ A22



PORT 5 (Cont'd)

Port 5 pins have a special port structure (see figure below), because it is an input only port.

Figure 2-17. Block Diagram of a Port 5 Pin

5 - PARALLEL PORTS (ST10R163)

5.6 PORT 6

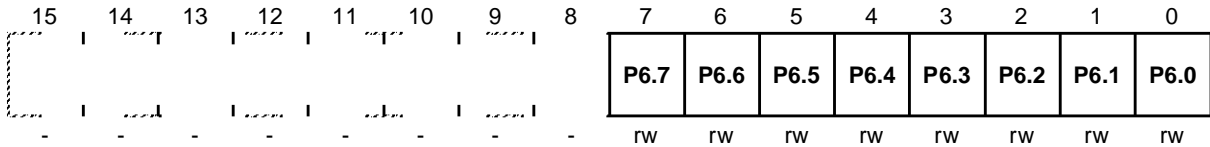
If this 8-bit port is used for general purpose IO, the direction of each line can be configured via the corresponding direction register DP6. Each port

line can be switched into push/pull or open drain mode via the open drain control register ODP6.

P6 (FFCCh / E6h)

SFR

Reset Value: -- 00h

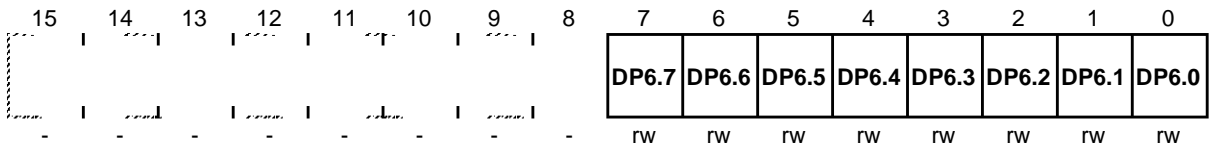


Bit	Function
P6.y	Port data register P6 bit y

DP6 (FFCEh / E7h)

SFR

Reset Value: -- 00h

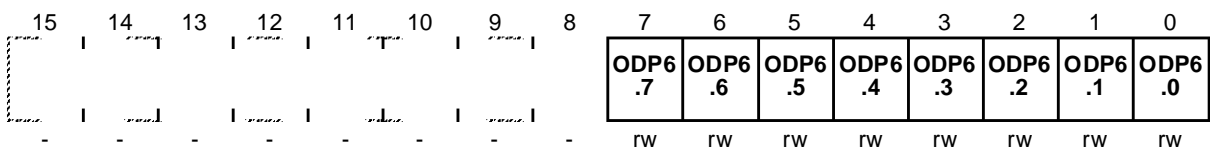


Bit	Function
DP6.y	Port direction register DP6 bit y DP6.y = 0: Port line P6.y is an input (high-impedance) DP6.y = 1: Port line P6.y is an output

ODP6 (F1CEh / E7h)

ESFR

Reset Value: -- 00h



Bit	Function
ODP6.y	Port 6 Open Drain control register bit y ODP6.y = 0: Port line P6.y output driver in push/pull mode ODP6.y = 1: Port line P6.y output driver in open drain mode

PORT 6 (Cont'd)

5.6.1 Alternate Functions of Port 6

A programmable number of chip select signals (CS4...CS0) derived from the bus control registers (BUSCON4...BUSCON0) can be output on 5 pins of Port 6. The other 3 pins may be used for bus arbitration to accomodate additional masters in a ST10R163 system.

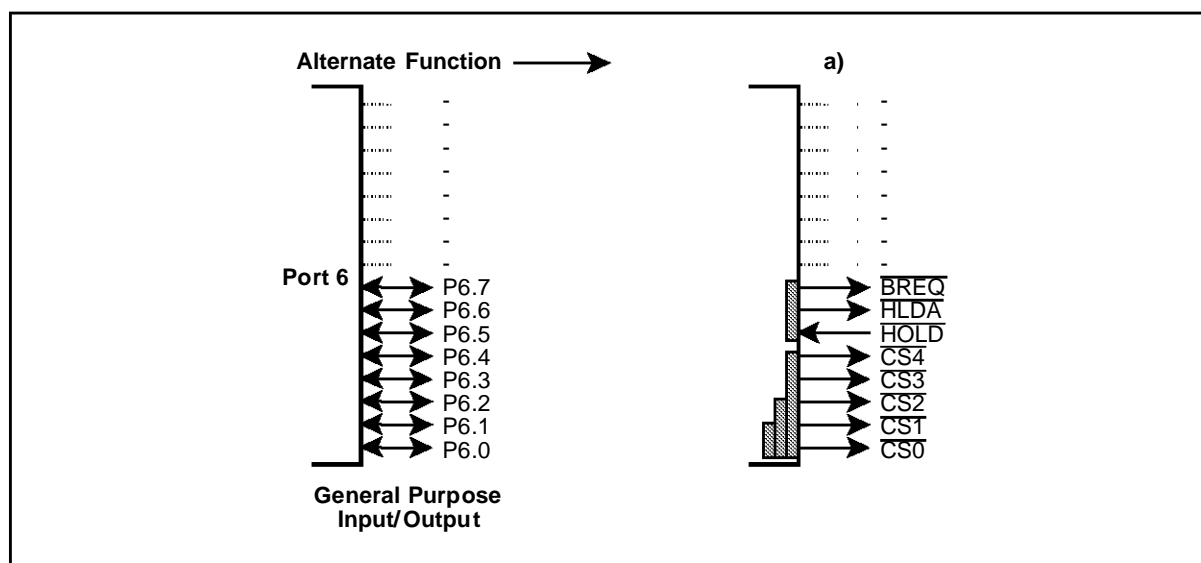
The number of chip select signals is selected via PORT0 during reset. The selected value can be

read from bitfield CSSEL in register RP0H (read only) eg. in order to check the configuration during run time.

The table below summarizes the alternate functions of Port 6 depending on the number of selected chip select lines (coded via bitfield CSSEL)

Port 6 Pin	Altern. Function CSSEL = 10	Altern. Function CSSEL = 01	Altern. Function CSSEL = 00	Altern. Function CSSEL = 11
P6.0	Gen. purpose IO	Chip select $\overline{CS0}$	Chip select $\overline{CS0}$	Chip select $\overline{CS0}$
P6.1	Gen. purpose IO	Chip select $\overline{CS1}$	Chip select $\overline{CS1}$	Chip select $\overline{CS1}$
P6.2	Gen. purpose IO	Gen. purpose IO	Chip select $\overline{CS2}$	Chip select $\overline{CS2}$
P6.3	Gen. purpose IO	Gen. purpose IO	Gen. purpose IO	Chip select $\overline{CS3}$
P6.4	Gen. purpose IO	Gen. purpose IO	Gen. purpose IO	Chip select $\overline{CS4}$
P6.5	\overline{HOLD} External hold request input			
P6.6	\overline{HLDA} Hold acknowledge output			
P6.7	\overline{BREQ} Bus request output			

Figure 2-18. Port 6 IO and Alternate Functions



5 - PARALLEL PORTS (ST10R163)

PORT 6 (Cont'd)

The chip select lines of Port 6 additionally have an internal weak pullup device. This device is switched on under the following conditions:

- always during reset
- if the Port 6 line is used as a chip select output, and the ST10R163 is in Hold mode (invoked through HOLD), and the respective pin driver is in push/pull mode (ODP6.x = '0').

This feature is implemented to drive the chip select lines high during reset in order to avoid multiple chip selection, and to allow another master to access the external memory via the same chip select lines (Wired-AND), while the ST10R163 is in Hold mode.

With ODP6.x = '1' (open drain output selected), the internal pullup device will not be active during

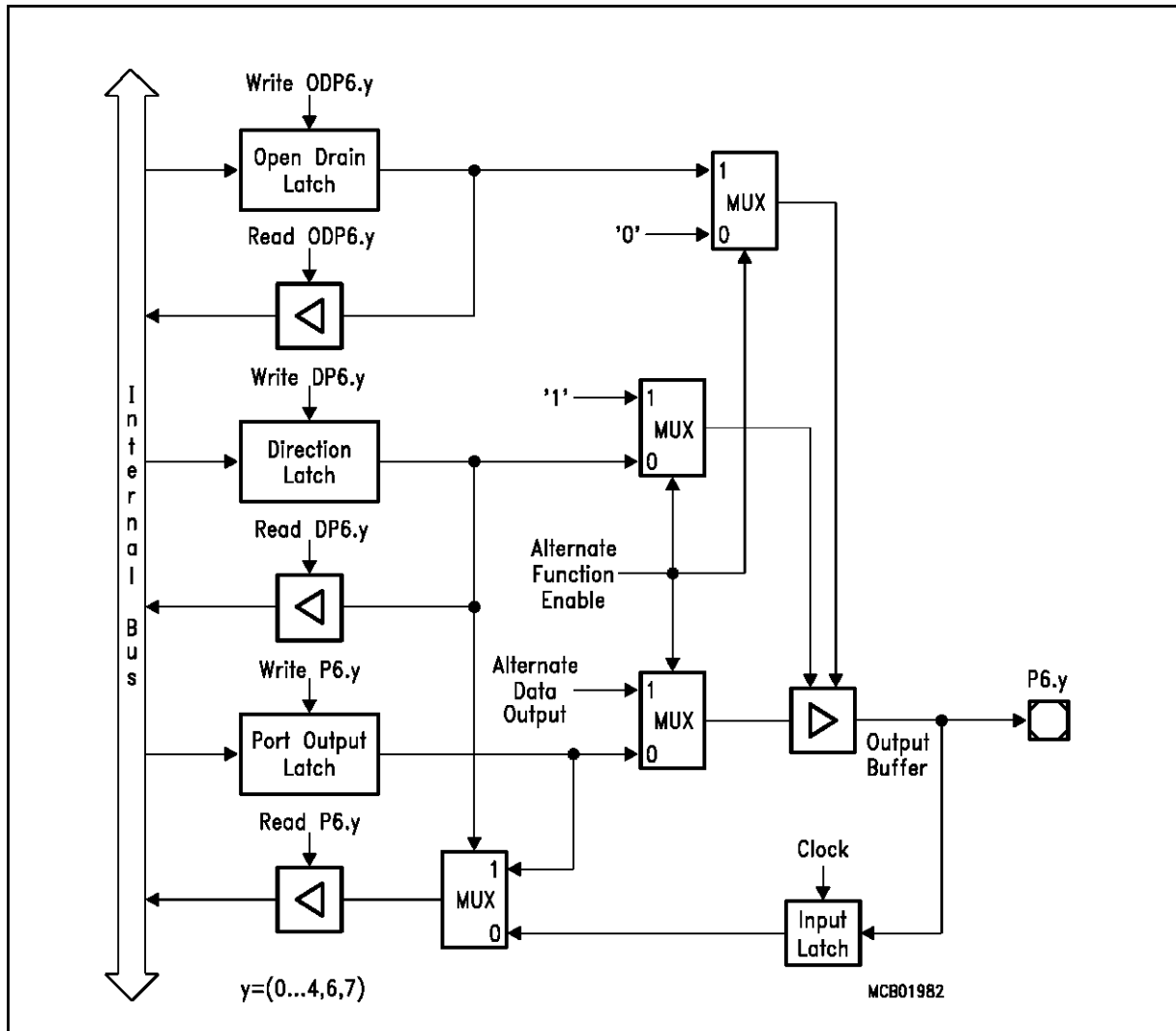
Hold mode; external pullup devices must be used in this case.

When entering Hold mode the \overline{CS} lines are actively driven high for one clock phase, then the output level is controlled by the pullup devices (if activated).

After reset the \overline{CS} function must be used, if selected so. In this case there is no possibility to program any port latches before. Thus the alternate function (\overline{CS}) is selected automatically in this case.

Note: The open drain output option can only be selected via software earliest during the initialization routine; at least signal $\overline{CS0}$ will be in push/pull output driver mode directly after reset.

Figure 2-19. Block Diagram of Port 6 Pins with an alternate output function

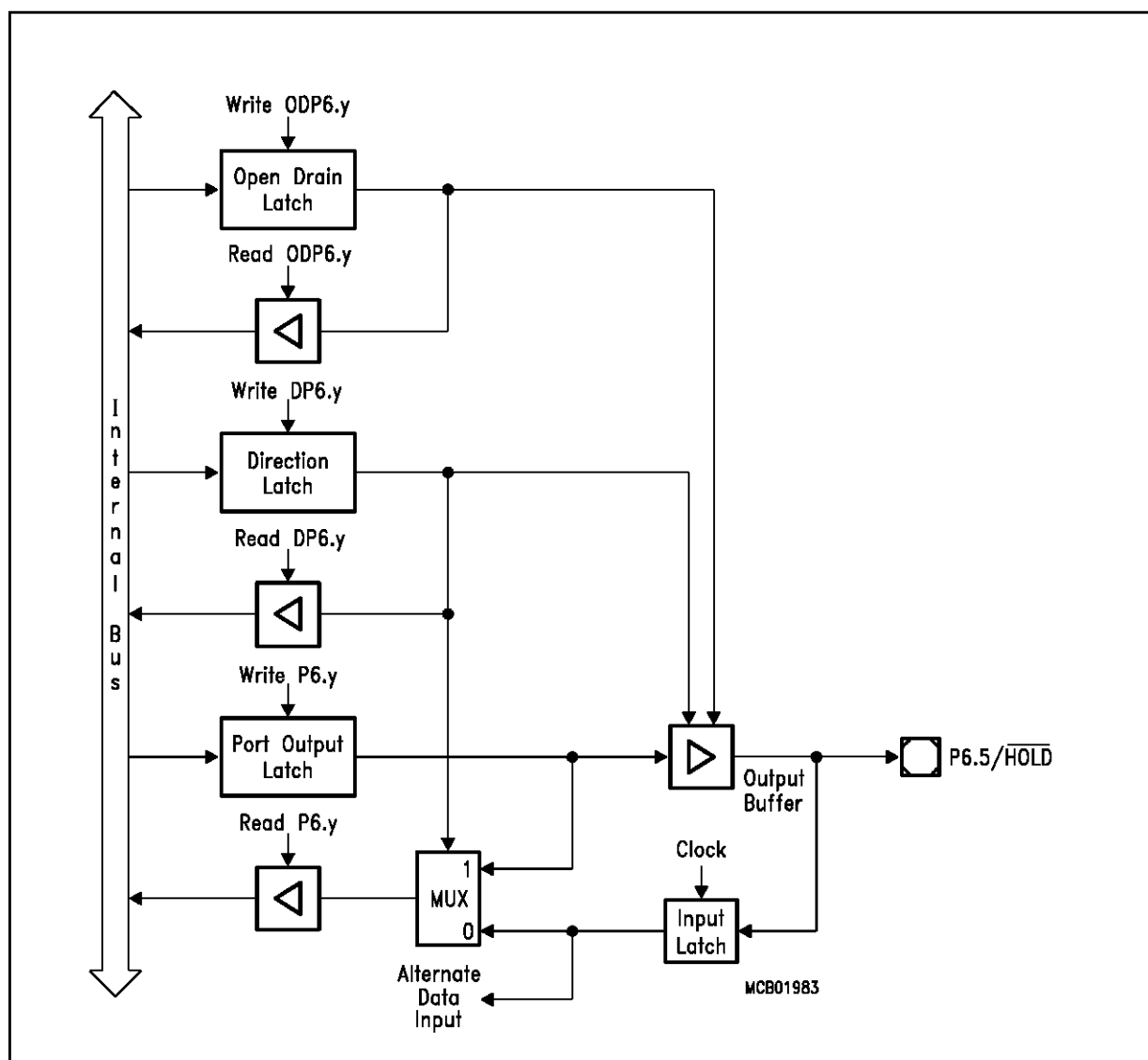


PORT 6 (Cont'd)

The bus arbitration signals $\overline{\text{HOLD}}$, $\overline{\text{HLDA}}$ and $\overline{\text{BREQ}}$ are selected with bit HLDEN in register PSW. When the bus arbitration signals are enabled via HLDEN, also these pins are switched automatically to the appropriate direction. Note that

the pin drivers for $\overline{\text{HLDA}}$ and $\overline{\text{BREQ}}$ are automatically enabled, while the pin driver for $\overline{\text{HOLD}}$ is automatically disabled.

Figure 2-20. Block Diagram of Pin P6.5 ($\overline{\text{HOLD}}$)



5 - PARALLEL PORTS (ST10R163)

Notes:

6 - DEDICATED PINS

Most of the input/output or control signals of the functional the ST10R163 are realized as alternate functions of pins of the parallel ports. There is, however, a number of signals that use separate pins, including the oscillator, special control signals and, of course, the power supply.

The table below summarizes the 23 dedicated pins of the ST10R163.

Pin(s)	Function
ALE	Address Latch Enable
RD	External Read Strobe
WR/WRL	External Write/Write Low Strobe
READY	Ready Input
EA	External Access Enable
NMI	Non-Maskable Interrupt Input
RSTIN	Reset Input
RSTOUT	Reset Output
XTAL1, XTAL2	Oscillator Input/Output
VPP	Reserved for Flash Programming Voltage
VCC, VSS	Digital Power Supply and Ground (6 pins each)

The Address Latch Enable signal ALE controls external address latches that provide a stable address in multiplexed bus modes. ALE is activated / not activated ...

The External Read Strobe RD controls the output drivers of external memory or peripherals when the ST10R163 reads data from these external devices. During reset and during Hold mode an internal pullup ensures an inactive (high) level on the RD output.

The External Write Strobe WR/WRL controls the data transfer from the ST10R163 to an external memory or peripheral device. This pin may either provide an general WR signal activated for both byte and word write accesses, or specifically control the low byte of an external 16-bit device (WRL) together with the signal WRH (alternate function of P3.12/BHE). During reset and during Hold mode an internal pullup ensures an inactive (high) level on the WR/WRL output.

The Ready Input READY receives a control signal from an external memory or peripheral device that is used to terminate an external bus cycle, provided that this function is enabled for the current bus cycle. READY may be used as synchronous READY or may be evaluated asynchronously.

The External Access Enable Pin EA determines, if the ST10R163 after reset starts fetching code from the internal ROM area (EA='1') or via the external bus interface (EA='0').

The Non-Maskable Interrupt Input NMI allows to trigger a high priority trap via an external signal (eg. a power-fail signal). It also serves to validate the PWRDN instruction that switches the ST10R163 into Power-Down mode.

The Reset Input RSTIN allows to put the ST10R163 into the well defined reset condition either at power-up or external events like a hardware failure or manual reset. The input voltage threshold of the RSTIN pin is raised compared to the standard pins in order to minimize the noise sensitivity of the reset input.

6 - DEDICATED PINS (ST10R163)

The Reset Output RSTOUT provides a special reset signal for external circuitry. **RSTOUT** is activated at the beginning of the reset sequence, triggered via **RSTIN**, a watchdog timer overflow or by the **SRST** instruction. **RSTOUT** remains active (low) until the **EINIT** instruction is executed. This allows to initialize the controller before the external circuitry is activated.

The Oscillator Input XTAL1 and Output XTAL2 connect the internal clock oscillator to the external crystal. An external clock signal may be fed to the input **XTAL1**, leaving **XTAL2** open.

The Flash Programming Voltage input VPP provides the programming voltage that is required to erase and program the on-chip Flash memory areas. On the **ST10R163**, the **VPP** pin is used to Enable/Disable the Oscillator Watchdog (See "System Clock Generation" section).

The Power Supply pins VCC and VSS provide the power supply for the digital logic of the **ST10R163**.

Note: All **VCC** pins and all **VSS** pins must be connected to the power supply and ground, respectively.

7 - EXTERNAL BUS INTERFACE

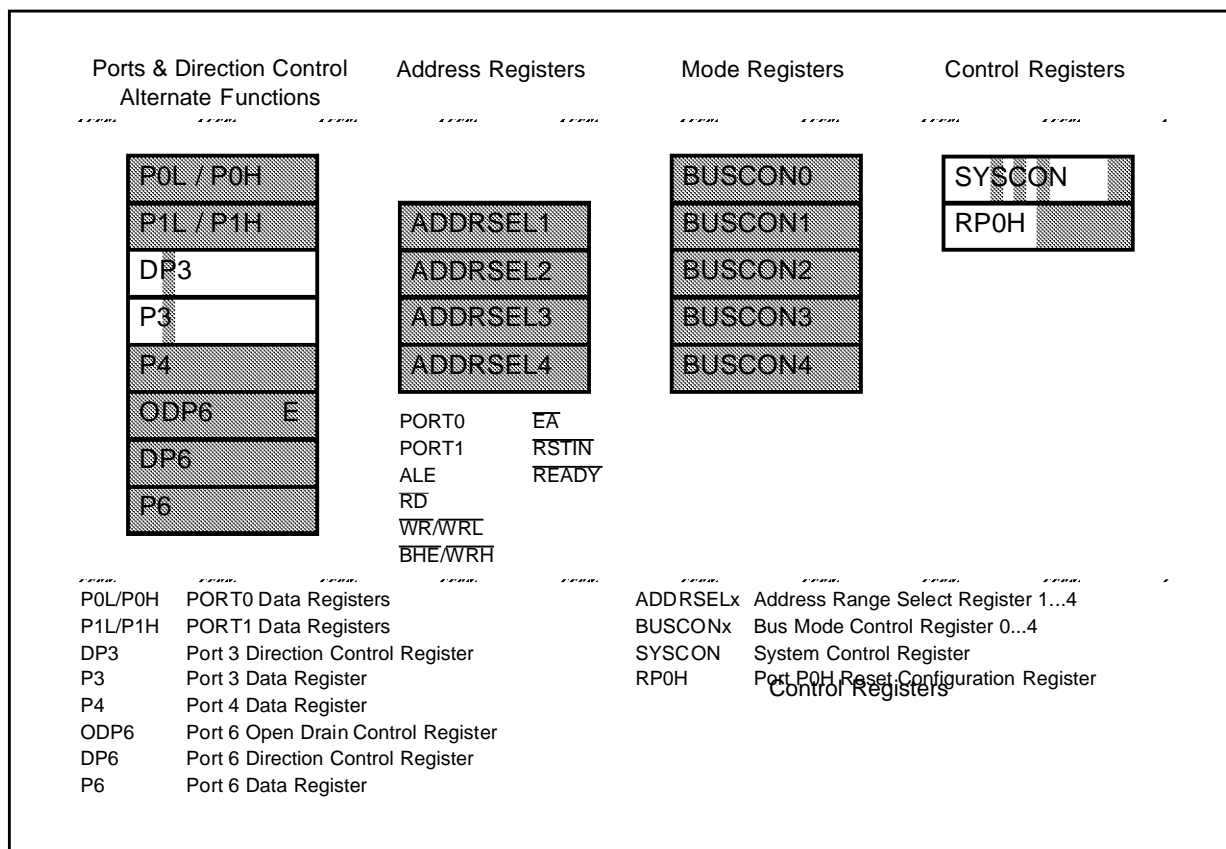
Although the ST10R163 provides a powerful set of on-chip peripherals and on-chip RAM areas, these internal units only cover a small fraction of its address space of up to 16 MByte. The external bus interface allows to access external peripherals and additional volatile and non-volatile memory. The external bus interface provides a number of configurations, so it can be tailored to fit perfectly into a given application system.

Accesses to external memory or peripherals are executed by the integrated External Bus Controller (EBC). The function of the EBC is controlled via the SYSCON register and the BUSCONx and AD-

DRSELx registers. The BUSCONx registers specify the external bus cycles in terms of address (mux/demux), data (16-bit/8-bit), chip selects and length (waitstates /READY control / ALE / RW delay). These parameters are used for accesses within a specific address area which is defined via the corresponding register ADDRSELx.

The four pairs BUSCON1/ADDRSEL1...BUSCON4/ADDRSEL4 allow to define four independent "address windows", while all external accesses outside these windows are controlled via register BUSCON0.

Figure 4-1. SFRs and Port Pins Associated with the External Bus Interface



7 - EXTERNAL BUS INTERFACE (ST10R163)

7.1 SINGLE CHIP MODE

Single chip mode is entered, when pin \overline{EA} is high during reset. In this case register BUSCON0 is cleared (except bit ALECTL0 and bits BTYP0[1:0] = P0L[7:6]), which also resets bit BUSACT0 of BUSCON0 register, so no external bus is enabled.

In single chip mode the ST10R163 operates only with and out of internal resources. No external bus is configured and no external peripherals and/or memory can be accessed. Also no port lines are occupied for the bus interface. The ST10R163 being a Romless device, it cannot operate in single chip mode. Hence, the \overline{EA} pin must be forced at 0 during reset.

7.2 EXTERNAL BUS MODES

When the external bus interface is enabled (bit BUSACTx='1') and configured (bitfield BTYP), the ST10R163 uses a subset of its port lines together with some control lines to build the external bus.

The bus configuration (BTYP) for the address windows (BUSCON4...BUSCON1) is selected via software typically during the initialization of the system.

The bus configuration (BTYP) for the default address range (BUSCON0) is selected via PORT0 during reset, provided that pin \overline{EA} is low during reset. Afterwards, BUSCON0 may be modified via software just like the other BUSCON registers.

The 16 MByte address space of the ST10R163 is divided into 256 segments of 64 KByte each. The 16-bit intra-segment address is output on PORT0 for multiplexed bus modes or on PORT1 for demultiplexed bus modes. When segmentation is disabled, only one 64 KByte segment can be used and accessed. Otherwise additional address lines may be output on Port 4, and/or several chip select lines may be used to select different memory banks or peripherals. These functions are selected during reset via bitfields SALSEL and CSSEL of register RPOH, respectively.

Note: Bit SGTDIS of register SYSCON defines, if the CSP register is saved during interrupt entry (segmentation active) or not (segmentation disabled).

Multiplexed Bus Modes

In the multiplexed bus modes the 16-bit intra-segment address as well as the data use PORT0. The address is time-multiplexed with the data and has to be latched externally. The width of the required latch depends on the selected data bus width, ie. an 8-bit data bus requires a byte latch (the address bits A15...A8 on P0H do not change, while P0L multiplexes address and data), a 16-bit data bus requires a word latch (the least significant address line A0 is not relevant for word accesses). The upper address lines (An...A16) are permanently output on Port 4 (if segmentation is enabled) and do not require latches.

The EBC initiates an external access by generating the Address Latch Enable signal (ALE) and then placing an address on the bus. The falling edge of ALE triggers an external latch to capture the address. After a period of time during which the address must have been latched externally, the address is removed from the bus. The EBC now activates the respective command signal (\overline{RD} , \overline{WR} , \overline{WRL} , \overline{WRH}). Data is driven onto the bus either by the EBC (for write cycles) or by the external memory/peripheral (for read cycles). After a period of time, which is determined by the access time of the memory/peripheral, data become valid.

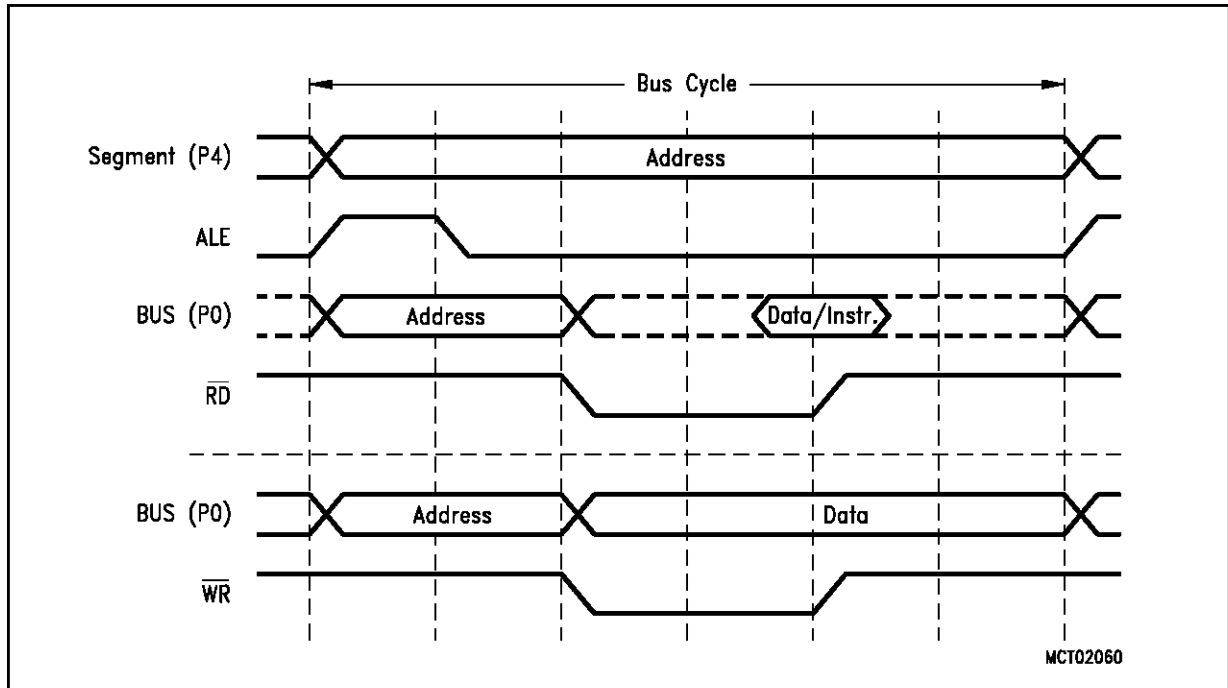
Read cycles: Input data is latched and the command signal is now deactivated. This causes the accessed device to remove its data from the bus which is then tri-stated again.

Write cycles: The command signal is now deactivated. The data remain valid on the bus until the next external bus cycle is started.

BTYP Encoding	External Data Bus Width	External Address Bus Mode
0 0	8-bit Data	Demultiplexed Addresses
0 1	8-bit Data	Multiplexed Addresses
1 0	16-bit Data	Demultiplexed Addresses
1 1	16-bit Data	Multiplexed Addresses

EXTERNAL BUS MODES (Cont'd)

Figure 4-2. Multiplexed Bus Cycle

**Demultiplexed Bus Modes**

In the demultiplexed bus modes the 16-bit intra-segment address is permanently output on PORT1, while the data uses PORT0 (16-bit data) or P0L (8-bit data).

The upper address lines are permanently output on Port 4 (if selected via SALSEL during reset). No address latches are required.

The EBC initiates an external access by placing an address on the address bus. After a programmable period of time the EBC activates the respective command signal (\overline{RD} , \overline{WR} , \overline{WRL} , \overline{WRH}). Data is driven onto the data bus either by the EBC

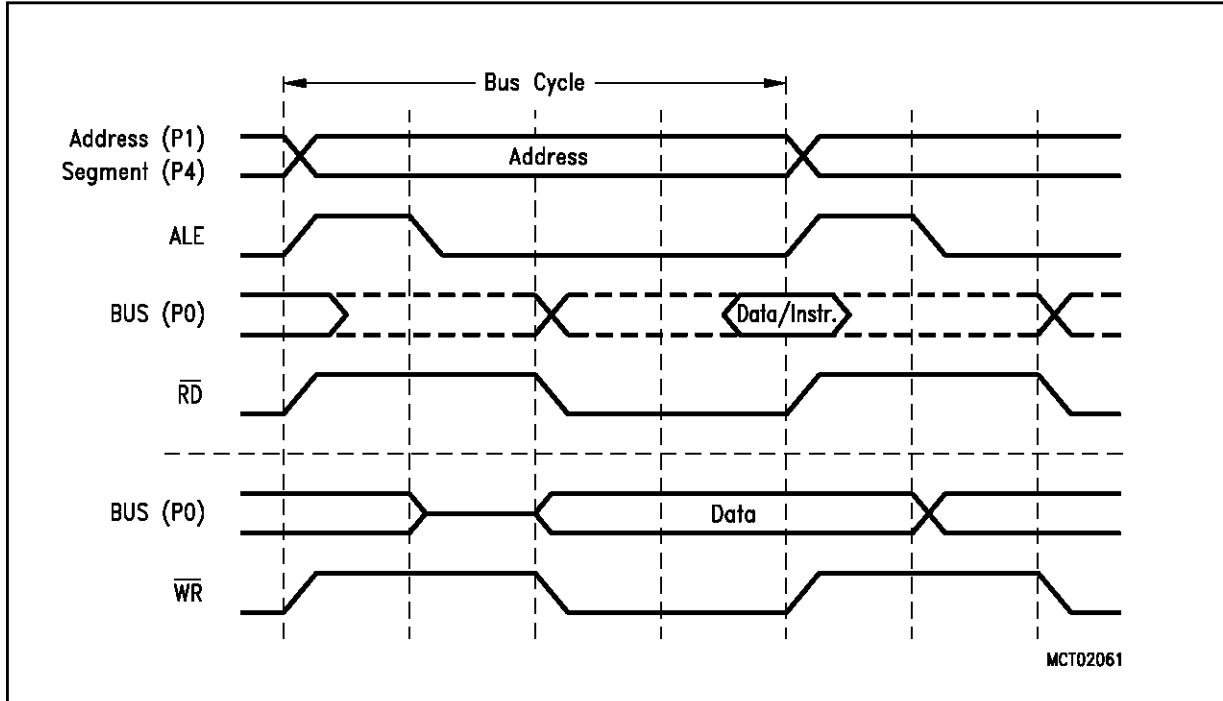
(for write cycles) or by the external memory/peripheral (for read cycles). After a period of time, which is determined by the access time of the memory/peripheral, data become valid.

Read cycles: Input data is latched and the command signal is now deactivated. This causes the accessed device to remove its data from the data bus which is then tri-stated again.

Write cycles: The command signal is now deactivated. If a subsequent external bus cycle is required, the EBC places the respective address on the address bus. The data remain valid on the bus until the next external bus cycle is started.

EXTERNAL BUS MODES (Cont'd)

Figure 4-3. Demultiplexed Bus Cycle



Switching between the Bus Modes

The EBC allows to switch between different bus modes dynamically, ie. subsequent external bus cycles may be executed in different ways. Certain address areas may use multiplexed or demultiplexed buses or use **READY** control or predefined waitstates.

A change of the external bus characteristics can be initiated in two different ways:

Reprogramming the BUSCON and/or ADDRSEL registers allows to either change the bus mode for a given address window, or change the size of an address window that uses a certain bus mode. Reprogramming allows to use a great number of different address windows (more than BUSCONs are available) on the expense of the overhead for changing the registers and keeping appropriate tables.

Switching between predefined address windows automatically selects the bus mode that is associated with the respective window. Predefined address windows allow to use different bus modes without any overhead, but restrict their number to the number of BUSCONs. However, as BUSCON0 controls all address areas, which are not covered by the other BUSCONs, this allows to have gaps between these windows, which use the bus mode of BUSCON0.

PORT1 will output the intra-segment address, when any of the BUSCON registers selects a demultiplexed bus mode, even if the current bus cycle uses a multiplexed bus mode. This allows to have an external address decoder connected to PORT1 only, while using it for all kinds of bus cycles.

Note: Never change the configuration for an address area that currently supplies the instruction stream. Due to the internal pipelining it is very difficult to determine the first instruction fetch that will use the new configuration. Only change the configuration for address areas that are not currently accessed. This applies to BUSCON registers as well as to ADDRSEL registers.

The usage of the BUSCON/ADDRSEL registers is controlled via the issued addresses. When an access (code fetch or data) is initiated, the respective generated physical address defines, if the access is made internally, uses one of the address windows defined by ADDRSEL4...1, or uses the default configuration in BUSCON0. After initializing the active registers, they are selected and evaluated automatically by interpreting the physical address. No additional switching or selecting is necessary during run time, except when more than the four address windows plus the default is to be used.

EXTERNAL BUS MODES (Cont'd)

Switching from demultiplexed to multiplexed bus mode represents a special case. The bus cycle is started by activating ALE and driving the address to Port 4 and PORT1 as usual, if another BUSCON register selects a demultiplexed bus. However, in the multiplexed bus modes the address is also required on PORT0. In this special case the address on PORT0 is delayed by one CPU clock cycle, which delays the complete (multiplexed) bus cycle and extends the corresponding ALE signal (see figure below).

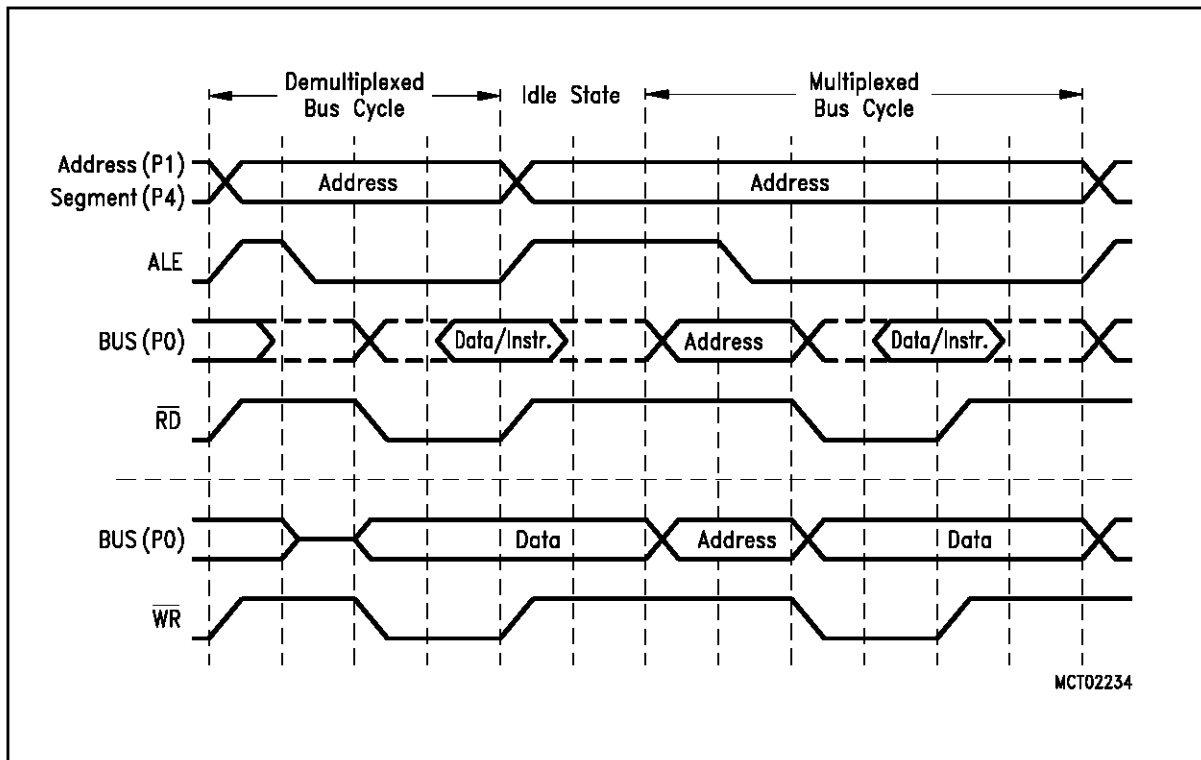
This extra time is required to allow the previously selected device (via demultiplexed bus) to release the data bus, which would be available in a demultiplexed bus cycle.

External Data Bus Width

The EBC can operate on 8-bit or 16-bit wide external memory/peripherals. A 16-bit data bus uses PORT0, while an 8-bit data bus only uses P0L, the lower byte of PORT0. This saves on address latches, bus transceivers, bus routing and memory cost on the expense of transfer time. The EBC can control word accesses on an 8-bit data bus as well as byte accesses on a 16-bit data bus.

Word accesses on an 8-bit data bus are automatically split into two subsequent byte accesses, where the low byte is accessed first, then the high byte. The assembly of bytes to words and the disassembly of words into bytes is handled by the EBC and is transparent to the CPU and the programmer.

Figure 4-4. Switching from demultiplexed to Multiplexed Bus Mode



MCT02234

7 - EXTERNAL BUS INTERFACE (ST10R163)

EXTERNAL BUS MODES (Cont'd)

Byte accesses on a 16-bit data bus require that the upper and lower half of the memory can be accessed individually. In this case the upper byte is selected with the $\overline{\text{BHE}}$ signal, while the lower byte is selected with the A0 signal. So the two bytes of the memory can be enabled independent from each other, or together when accessing words.

When writing bytes to an external 16-bit device, which has a single $\overline{\text{CS}}$ input, but two $\overline{\text{WR}}$ enable inputs (for the two bytes), the EBC can directly generate these two write control signals. This saves the external combination of the $\overline{\text{WR}}$ signal with A0 or $\overline{\text{BHE}}$. In this case pin $\overline{\text{WR}}$ serves as $\overline{\text{WRL}}$ (write low byte) and pin $\overline{\text{BHE}}$ serves as $\overline{\text{WRH}}$ (write high byte). Bit $\overline{\text{WRCFG}}$ in register $\overline{\text{SYSCON}}$ selects the operating mode for pins $\overline{\text{WR}}$ and $\overline{\text{BHE}}$. The respective byte will be written on both data bus halves.

When reading bytes from an external 16-bit device, whole words may be read and the ST10R163 automatically selects the byte to be input and discards the other. However, care must be taken

when reading devices that change state when being read, like FIFOs, interrupt status registers, etc. In this case individual bytes should be selected using $\overline{\text{BHE}}$ and A0.

PORT1 gets available for general purpose IO, when none of the $\overline{\text{BUSCON}}$ registers selects a demultiplexed bus mode.

Disable/Enable Control for Pin $\overline{\text{BHE}}$ (BYTDIS)

Bit BYTDIS of $\overline{\text{SYSCON}}$ register is provided for controlling the active low Byte High Enable ($\overline{\text{BHE}}$) pin. The function of the $\overline{\text{BHE}}$ pin is enabled, if the BYTDIS bit contains a '0'. Otherwise, it is disabled and the pin can be used as standard IO pin. The $\overline{\text{BHE}}$ pin is implicitly used by the External Bus Controller to select one of two byte-organized memory chips, which are connected to the ST10R163 via a word-wide external data bus. After reset the $\overline{\text{BHE}}$ function is automatically enabled (BYTDIS = '0'), if a 16-bit data bus is selected during reset, otherwise it is disabled (BYTDIS='1'). It may be disabled, if byte access to 16-bit memory is not required, and the $\overline{\text{BHE}}$ signal is not used.

Bus Mode	Transfer Rate (Speed factor for byte/word/dword access)	System Requirements	Free IO Lines
8-bit Multiplexed	Very low (1.5 / 3 / 6)	Low (8-bit latch, byte bus)	P1H, P1L
8-bit Demultipl.	Low (1 / 2 / 4)	Very low (no latch, byte bus)	P0H
16-bit Multiplexed	High (1.5 / 1.5 / 3)	High (16-bit latch, word bus)	P1H, P1L
16-bit Demultipl.	Very high (1 / 1 / 2)	Low (no latch, word bus)	---

Segment Address Generation

During external accesses the EBC generates a (programmable) number of address lines on Port 4, which extend the 16-bit address output on PORT0 or PORT1, and so increase the accessible address space. The number of segment address

lines is selected during reset and coded in bit field $\overline{\text{SALSEL}}$ in register $\overline{\text{RPOH}}$ (see table below).

Note: The total accessible address space may be increased by accessing several banks which are distinguished by individual chip select signals.

$\overline{\text{SALSEL}}$	Segment Address Lines	Directly accessible Address Space
1 1	Two:A17...A16	256KByte (Default without pull-downs)
1 0	Eight:A23...A16	16MByte (Maximum)
0 1	None	64KByte (Minimum)
0 0	Four:A19...A16	1MByte

EXTERNAL BUS MODES (Cont'd)

\overline{CS} Signal Generation

During external accesses the EBC can generate a (programmable) number of \overline{CS} lines on Port 6, which allow to directly select external peripherals or memory banks without requiring an external decoder. The number of \overline{CS} lines is selected during reset and coded in bit field CSSEL in register RPOH (see table below).

CSSEL	Chip Select Lines	Note
1 1	Five: $\overline{CS4} \dots \overline{CS0}$	Default without pull-downs
1 0	None	Port 6 pins free for IO
0 1	Two: $\overline{CS1} \dots \overline{CS0}$	
0 0	Three: $\overline{CS2} \dots \overline{CS0}$	

The \overline{CSx} outputs are associated with the BUSCONx registers and are driven active (low) for any access within the address area defined for the respective BUSCON register. For any access outside this defined address area the respective \overline{CSx} signal will go inactive (high).

Note: No \overline{CSx} signal will be generated for an access to any internal address area, even if this area is covered by the respective ADDRSELx register.

The chip select signals allow to be operated in four different modes, which are selected via bits CSWENx and CSRENx in the respective BUSCONx register.

CSWENx	CSRENx	Chip Select Mode
0	0	Address Chip Select (Default after Reset)
0	1	Read Chip Select
1	0	Write Chip Select
1	1	Read/Write Chip Select

Address Chip Select signals remain active for the whole external bus cycle. An address chip select becomes active with the falling edge of ALE and becomes inactive with the falling edge of ALE of an external bus cycle that accesses a different address area. No spikes will be generated on the chip select lines.

Read or Write Chip Select signals remain active only as long as the associated control signal (\overline{RD} or \overline{WR}) is active. This also includes the programmable read/write delay. Read chip select is only activated for read cycles, write chip select is only activated for write cycles, read/write chip select is activated for both read and write cycles (write cycles are assumed, if any of the signals \overline{WRH} or \overline{WRL} gets active). These modes save external glue logic, when accessing external devices like latches or drivers that only provide a single enable input.

$\overline{CS0}$ provides an address chip select directly after reset (except for single chip mode) when the first instruction is fetched.

Internal pullup devices hold the selected \overline{CS} lines high during reset. After the end of a reset sequence the pullup devices are switched off and the pin drivers control the pin levels on the selected \overline{CS} lines. Not selected \overline{CS} lines will enter the high-impedance state and are available for general purpose IO.

The pullup devices are also active during bus hold, while HLDA is active and the respective pin is switched to push/pull mode. Open drain outputs will float during bus hold. In this case external pullup devices are required or the new bus master is responsible for driving appropriate levels on the \overline{CS} lines.

Segment Address versus Chip Select

The external bus interface of the ST10R163 supports many configurations for the external memory. By increasing the number of segment address lines the ST10R163 can address a linear address space of 256 KByte, 1 MByte or 16 MByte. This allows to implement a large sequential memory area, and also allows to access a great number of external devices, using an external decoder. By increasing the number of \overline{CS} lines the ST10R163 can access memory banks or peripherals without external glue logic. These two features may be combined to optimize the overall system performance. Enabling 4 segment address lines and 5 chip select lines eg. allows to access five memory banks of 1 MByte each. So the available address space is 5 MByte (without glue logic).

Note: Bit SGTDIS of register SYSCON defines, if the CSP register is saved during interrupt entry (segmentation active) or not (segmentation disabled).

7 - EXTERNAL BUS INTERFACE (ST10R163)

7.3 PROGRAMMABLE BUS CHARACTERISTICS

Important timing characteristics of the external bus interface have been made user programmable to allow to adapt it to a wide range of different external bus and memory configurations with different types of memories and/or peripherals.

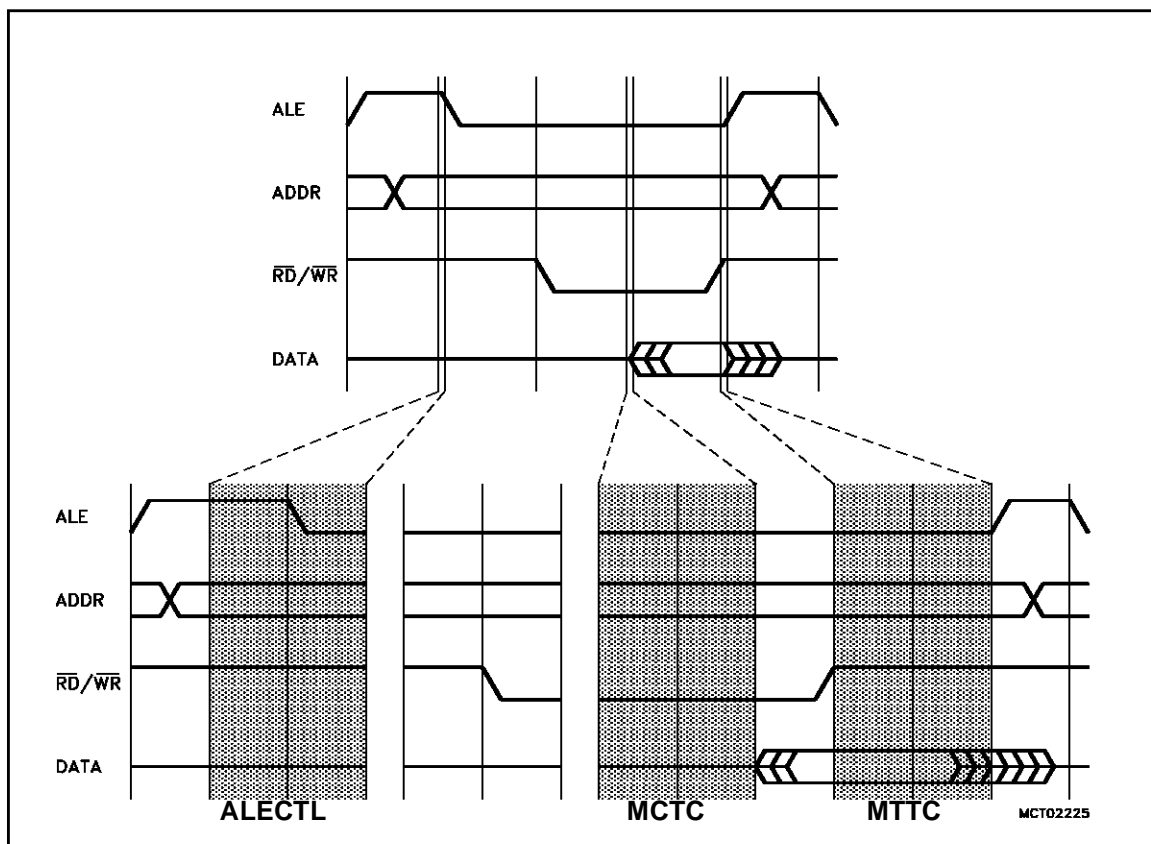
The following parameters of an external bus cycle are programmable:

- **ALE Control** defines the ALE signal length and the address hold time after its falling edge
- **Memory Cycle Time** (extendable with 1...15 waitstates) defines the allowable access time

- **Memory Tri-State Time** (extendable with 1 wait-state) defines the time for a data driver to float
- **Read/Write Delay Time** defines when a command is activated after the falling edge of ALE
- **READY Control** defines, if a bus cycle is terminated internally or externally

Note: Internal accesses are executed with maximum speed and therefore are not programmable. External accesses use the slowest possible bus cycle after reset. The bus cycle timing may then be optimized by the initialization software.

Figure 4-5. Programmable External Bus Cycle



PROGRAMMABLE BUS CHARACTERISTICS(Cont'd)

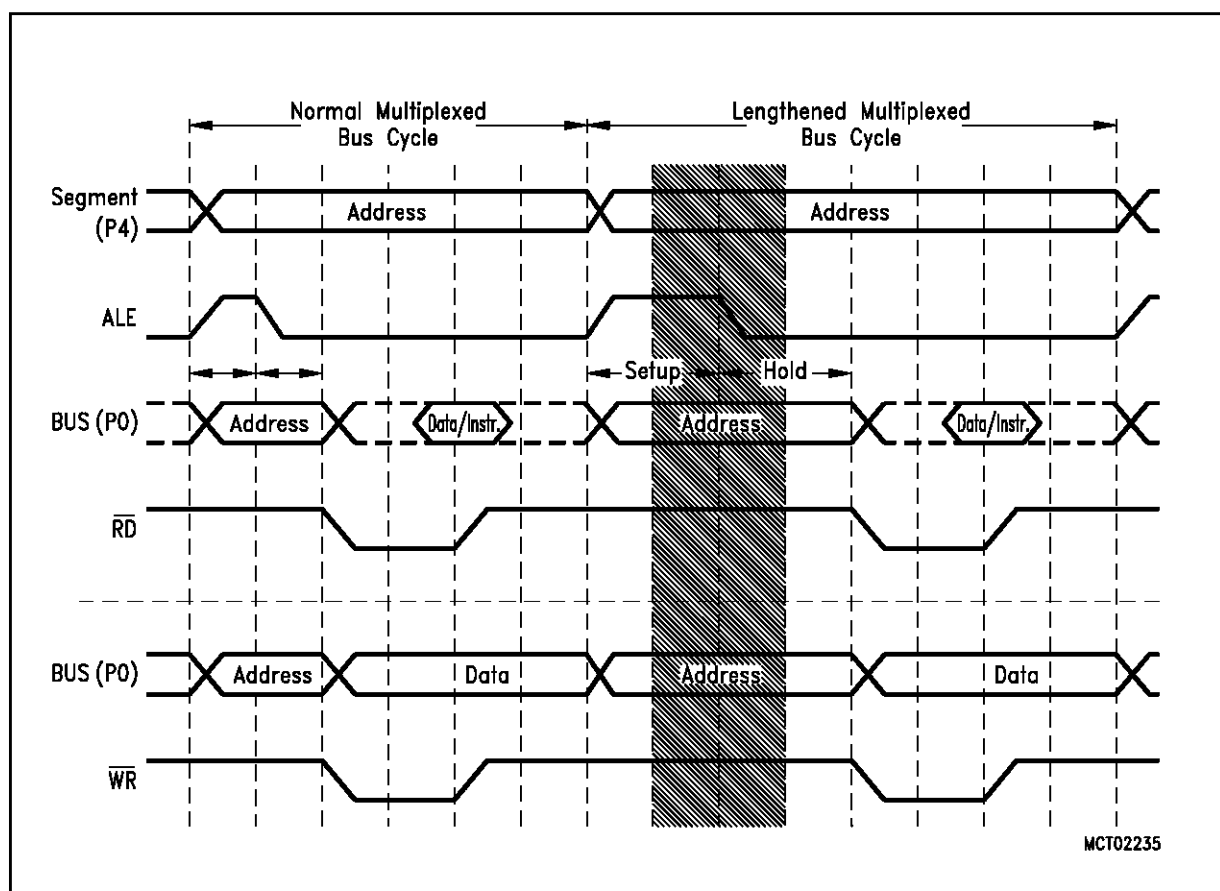
ALE Length Control

The length of the ALE signal and the address hold time after its falling edge are controlled by the ALECTLx bits in the BUSCON registers. When bit ALECTL0 is set to '1', external bus cycles accessing the respective address window will have their ALE signal prolonged by half a CPU clock (25 ns at $f_{CPU} = 20$ MHz). Also the address hold time after the falling edge of ALE (on a multiplexed bus)

will be prolonged by half a CPU clock, so the data transfer within a bus cycle refers to the same CLK-OUT edges as usual (ie. the data transfer is delayed by one CPU clock). This allows more time for the address to be latched.

Note: ALECTL0 is '1' after reset to select the slowest possible bus cycle, the other ALECTLx are '0' after reset.

Figure 4-6. ALE Length Control



7 - EXTERNAL BUS INTERFACE (ST10R163)

PROGRAMMABLE BUS CHARACTERISTICS(Cont'd)

Programmable Memory Cycle Time

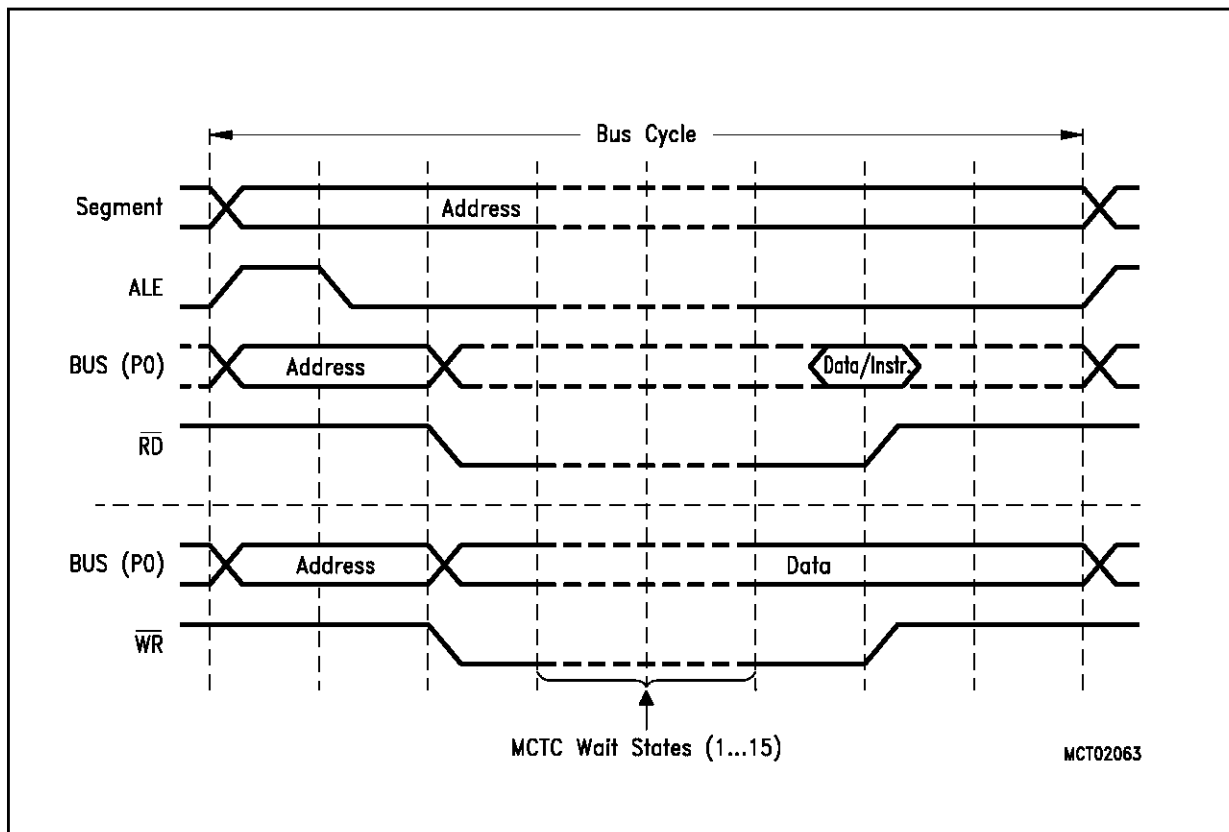
The ST10R163 allows the user to adjust the controller's external bus cycles to the access time of the respective memory or peripheral. This access time is the total time required to move the data to the destination. It represents the period of time during which the controller's signals do not change.

The external bus cycles of the ST10R163 can be extended for a memory or peripheral, which cannot keep pace with the controller's maximum

speed, by introducing wait states during the access (see figure above). During these memory cycle time wait states, the CPU is idle, if this access is required for the execution of the current instruction.

The memory cycle time wait states can be programmed in increments of one CPU clock (50 ns at $f_{CPU} = 20$ MHz) within a range from 0 to 15 (default after reset) via the MCTC fields of the BUSCON registers. 15-<MCTC> waitstates will be inserted.

Figure 4-7. Memory Cycle Time



PROGRAMMABLE BUS CHARACTERISTICS(Cont'd)

Programmable Memory Tri-State Time

The ST10R163 allows the user to adjust the time between two subsequent external accesses to account for the tri-state time of the external device. The tri-state time defines, when the external device has released the bus after deactivation of the read command (\overline{RD}).

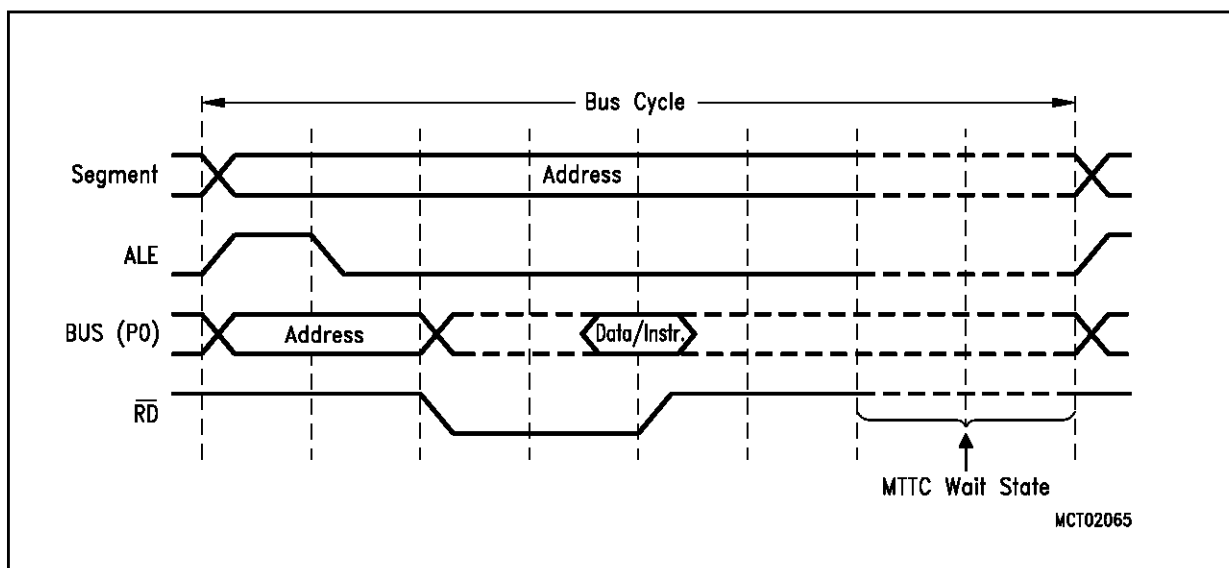
The output of the next address on the external bus can be delayed for a memory or peripheral, which needs more time to switch off its bus drivers, by introducing a waitstate after the previous bus cycle (see figure above). During this memory tri-state

time wait state, the CPU is not idle, so CPU operations will only be slowed down if a subsequent external instruction or data fetch operation is required during the next instruction cycle.

The memory tri-state time waitstate requires one CPU clock (50 ns at $f_{CPU} = 20$ MHz) and is controlled via the MTTCx bits of the BUSCON registers. A waitstate will be inserted, if bit MTTCx is '0' (default after reset).

Note: External bus cycles in multiplexed bus modes implicitly add one tri-state time waitstate in addition to the programmable MTTC waitstate.

Figure 4-8. Memory Tri-State Time



7 - EXTERNAL BUS INTERFACE (ST10R163)

PROGRAMMABLE BUS CHARACTERISTICS(Cont'd)

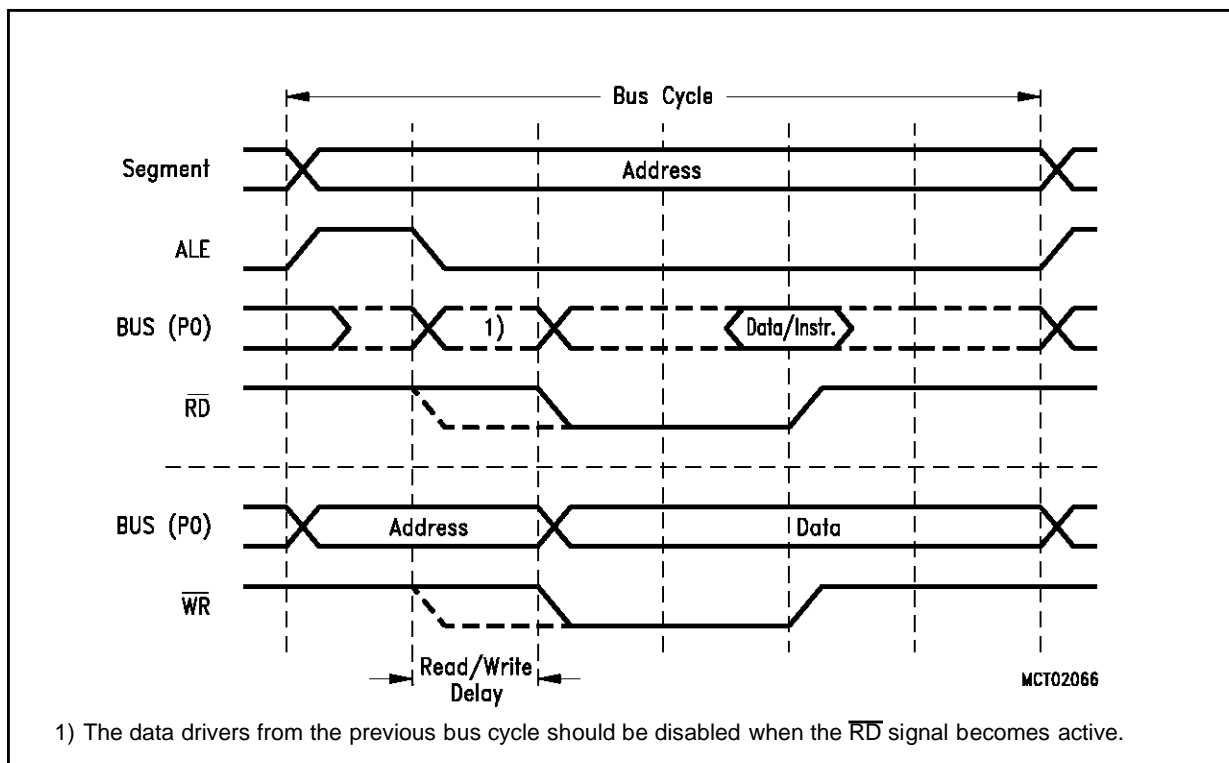
Read/Write Signal Delay

The ST10R163 allows the user to adjust the timing of the read and write commands to account for timing requirements of external peripherals. The read/write delay controls the time between the falling edge of ALE and the falling edge of the command. Without read/write delay the falling edges of ALE and command(s) are coincident (except for propagation delays). With the delay enabled, the command(s) become active half a CPU clock (25 ns at $f_{CPU} = 20$ MHz) after the falling edge of ALE.

The read/write delay does not extend the memory cycle time, and does not slow down the controller in general. In multiplexed bus modes, however, the data drivers of an external device may conflict with the ST10R163's address, when the early \overline{RD} signal is used. Therefore multiplexed bus cycles should always be programmed with read/write delay.

The read/write delay is controlled via the RWDCx bits in the BUSCON registers. The command(s) will be delayed, if bit RWDCx is '0' (default after reset).

Figure 4-9. Read/Write Delay



1) The data drivers from the previous bus cycle should be disabled when the \overline{RD} signal becomes active.

7.4 **READY CONTROLLED BUS CYCLES**

For situations, where the programmable waitstates are not enough, or where the response (access) time of a peripheral is not constant, the ST10R163 provides external bus cycles that are terminated via a **READY** input signal (synchronous or asynchronous). In this case the ST10R163 first inserts a programmable number of waitstates (0...7) and then monitors the **READY** line to determine the actual end of the current bus cycle. The external device drives **READY** low in order to indicate that data have been latched (write cycle) or are available (read cycle).

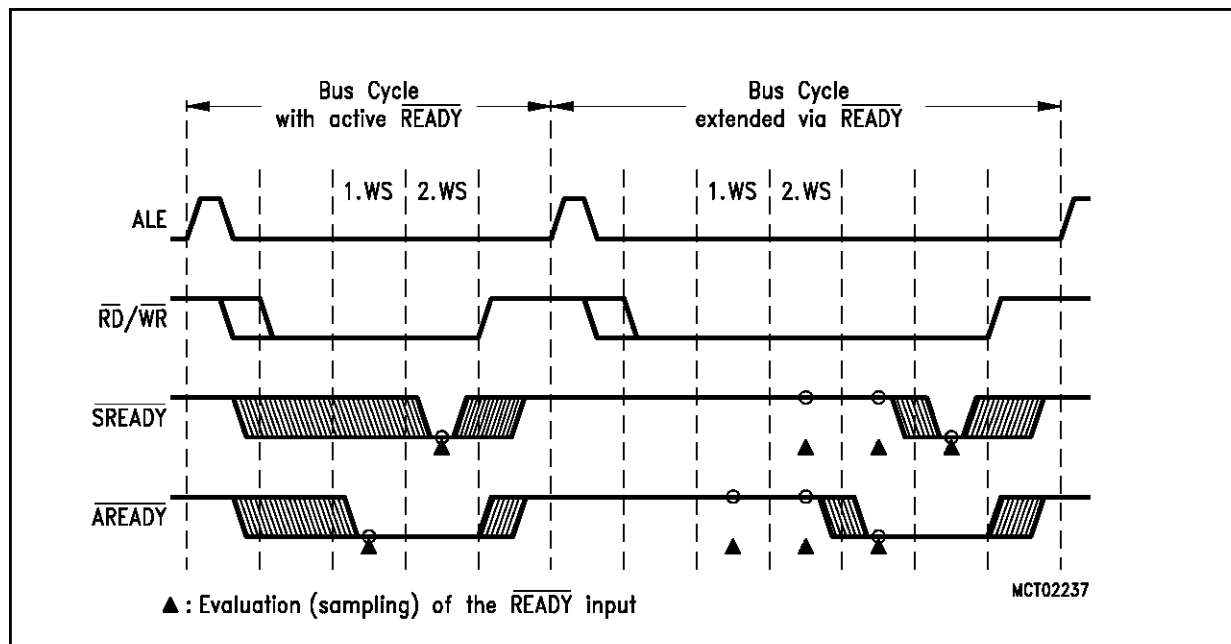
The **READY** function is enabled via the RDYENx bits in the BUSCON registers. When this function is selected (RDYENx = '1'), only the lower 3 bits of the respective MCTC bit field define the number of inserted waitstates (0...7), while the MSB of bit field MCTC selects the **READY** operation:

MCTC.3 = '0': Synchronous **READY**, ie. the **READY** signal must meet setup and hold times.
 MCTC.3 = '1': Asynchronous **READY**, ie. the **READY** signal is synchronized internally.

The synchronous **READY** provides the fastest bus cycles, but requires setup and hold times to be met. The CLKOUT signal **must be enabled** and may be used by the peripheral logic to control the **READY** timing in this case.

The asynchronous **READY** is less restrictive, but requires additional waitstates caused by the internal synchronization. As the asynchronous **READY** is sampled earlier (see figure above) programmed waitstates may be necessary to provide proper bus cycles (see also notes on "normally-ready" peripherals below).

Figure 4-10. **READY** Controlled Bus Cycles



READY CONTROLLED BUS CYCLES (Cont'd)

A $\overline{\text{READY}}$ signal (especially asynchronous $\overline{\text{READY}}$) that has been activated by an external device may be deactivated in response to the trailing (rising) edge of the respective command ($\overline{\text{RD}}$ or $\overline{\text{WR}}$).

Note: When the $\overline{\text{READY}}$ function is enabled for a specific address window, each bus cycle within this window must be terminated with an active $\overline{\text{READY}}$ signal. Otherwise the controller hangs until the next reset. A timeout function is only provided by the watchdog timer.

Combining the $\overline{\text{READY}}$ function with predefined waitstates is advantageous in two cases:

Memory components with a fixed access time and peripherals operating with $\overline{\text{READY}}$ may be grouped into the same address window. The (external) waitstate control logic in this case would activate $\overline{\text{READY}}$ either upon the memory's chip select or with the peripheral's $\overline{\text{READY}}$ output. After the predefined number of waitstates the ST10R163 will check its $\overline{\text{READY}}$ line to determine the end of the bus cycle. For a memory access it will be low already (see example a) in the figure above), for a peripheral access it may be delayed (see example b) in the figure above). As memories tend to be faster than peripherals, there should be no impact on system performance.

When using the $\overline{\text{READY}}$ function with "normally-ready" peripherals, it may lead to erroneous bus cycles, if the $\overline{\text{READY}}$ line is sampled too early. These peripherals pull their $\overline{\text{READY}}$ output low, while they are idle. When they are accessed, they

deactivate $\overline{\text{READY}}$ until the bus cycle is complete, then drive it low again. If, however, the peripheral deactivates $\overline{\text{READY}}$ **after** the first sample point of the ST10R163, the controller samples an active $\overline{\text{READY}}$ and terminates the current bus cycle, which, of course, is too **early**. By inserting predefined waitstates the first $\overline{\text{READY}}$ sample point can be shifted to a time, where the peripheral has safely controlled the $\overline{\text{READY}}$ line (eg. after 2 waitstates in the figure above).

7.5 CONTROLLING THE EXTERNAL BUS CONTROLLER

A set of registers controls the functions of the EBC. General features like the usage of interface pins ($\overline{\text{WR}}$, $\overline{\text{BHE}}$), segmentation and internal ROM mapping are controlled via register SYSCON. The properties of a bus cycle like chip select mode, usage of $\overline{\text{READY}}$, length of ALE, external bus mode, read/write delay and waitstates are controlled via registers BUSCON4...BUSCON0. Four of these registers (BUSCON4...BUSCON1) have an address select register (ADDRSEL4...ADDRSEL1) associated with them, which allows to specify up to four address areas and the individual bus characteristics within these areas. All accesses that are not covered by these four areas are then controlled via BUSCON0. This allows to use memory components or peripherals with different interfaces within the same system, while optimizing accesses to each of them.

7 - EXTERNAL BUS INTERFACE (ST10R163)

CONTROLLING THE EXTERNAL BUS CONTROLLER(Cont'd)

SYSCON (FF12h / 89h)

SFR

Reset Value: 0XX0h

	15	14	13	12	11	10	9	8	7	6	5	4	3	2	1	0
	STKSZ		ROM S1	SGT DIS	ROM EN	BYT DIS	CLK EN	WR CFG	-	-	-	-	SSP EN	VISI BLE	XPER-SHARE	
	rw		rw	rw			rw		-	-	-	-	rw	rw	rw	

Bit	Function
XPER-SHARE	XBUS Peripheral Share Mode Control '0': External accesses to XBUS peripherals are disabled '1': XBUS peripherals are accessible via the external bus during hold mode.
VISIBLE	Visible Mode Control '0': Accesses to XBUS peripherals are done internally '1': XBUS peripheral accesses are made visible on the external pins.
SSPEN	Xperipheral SSP Enable Control '0': SSP is disabled. Pins P4.[7..4] are general purpose IOs or segment address lines '1': SSP is enabled. Pins P4.[7..4] are SSP IOs or segment address lines
WRCFG	Write Configuration Control (Set according to pin P0H.0 during reset) '0': Pins \overline{WR} and \overline{BHE} retain their normal function '1': Pin \overline{WR} acts as \overline{WRL} , pin \overline{BHE} acts as \overline{WRH}
CLKEN	System Clock Output Enable (CLKOUT) '0': CLKOUT disabled: pin may be used for general purpose IO '1': CLKOUT enabled: pin outputs the system clock signal
BYTDIS	Disable/Enable Control for Pin BHE (Set according to data bus width) '0': Pin \overline{BHE} enabled '1': Pin \overline{BHE} disabled, pin may be used for general purpose IO
ROMEN	Internal ROM Enable (Set according to pin \overline{EA} during reset) '0': Internal ROM disabled: accesses to the ROM area use the external bus '1': Internal ROM enabled This bit is not relevant on the ST10R165, since it does not include internal ROM. It should be kept at 0
SGTDIS	Segmentation Disable/Enable Control '0': Segmentation enabled (CSP is saved/restored during interrupt entry/exit) '1': Segmentation disabled (Only IP is saved/restored)
ROMS1	Internal ROM mapping This bit is not relevant on the ST10R165, since it does not include internal ROM. It should be kept at 0.
STKSZ	System Stack Size Selects the size of the system stack (in the internal RAM) from 32 to 1024 words

Note: Register SYSCON cannot be changed after execution of the EINIT instruction.
 Bit SGTDIS controls the correct stack operation (push/pop of CSP or not) during traps and interrupts. Bits marked with "-" must be kept at 0.

7 - EXTERNAL BUS INTERFACE (ST10R163)

CONTROLLING THE EXTERNAL BUS CONTROLLER(Cont'd)

The layout of the five BUSCON registers is identical. Registers BUSCON4...BUSCON1, which control the selected address windows, are completely under software control, while register BUSCON0, which eg. is also used for the very first code ac-

cess after reset, is partly controlled by hardware, ie. it is initialized via PORT0 during the reset sequence. This hardware control allows to define an appropriate external bus for systems, where no internal program memory is provided.

BUSCON0 (FF0Ch / 86h)

SFR

Reset Value: 0XX0h

15	14	13	12	11	10	9	8	7	6	5	4	3	2	1	0
CSW EN0	CSR EN0	-	RDY EN0	-	BUS ACT0	ALE CTL0	-	BTYP0	MTT C0	RWD C0	MCTC0				
rw	rw	rw	rw	-	rw	rw	-	rw	rw	rw	rw				

BUSCON1 (FF14h / 8Ah)

SFR

Reset Value: 0000h

15	14	13	12	11	10	9	8	7	6	5	4	3	2	1	0
CSW EN1	CSR EN1	-	RDY EN1	-	BUS ACT1	ALE CTL1	-	BTYP1	MTT C1	RWD C1	MCTC1				
rw	rw	rw	rw	-	rw	rw	-	rw	rw	rw	rw				

BUSCON2 (FF16h / 8Bh)

SFR

Reset Value: 0000h

15	14	13	12	11	10	9	8	7	6	5	4	3	2	1	0
CSW EN2	CSR EN2	-	RDY EN2	-	BUS ACT2	ALE CTL2	-	BTYP2	MTT C2	RWD C2	MCTC2				
rw	rw	rw	rw	-	rw	rw	-	rw	rw	rw	rw				

BUSCON3 (FF18h / 8Ch)

SFR

Reset Value: 0000h

15	14	13	12	11	10	9	8	7	6	5	4	3	2	1	0
CSW EN3	CSR EN3	-	RDY EN3	-	BUS ACT3	ALE CTL3	-	BTYP3	MTT C3	RWD C3	MCTC3				
rw	rw	rw	rw	-	rw	rw	-	rw	rw	rw	rw				

BUSCON4 (FF1Ah / 8Dh)

SFR

Reset Value: 0000h

15	14	13	12	11	10	9	8	7	6	5	4	3	2	1	0
CSW EN4	CSR EN4	-	RDY EN4	-	BUS ACT4	ALE CTL4	-	BTYP4	MTT C4	RWD C4	MCTC4				
rw	rw	rw	rw	-	rw	rw	-	rw	rw	rw	rw				

Note: BUSACT0 is initialized with 0, if pin \overline{EA} is high during reset. If pin \overline{EA} is low during reset, bit BUSACT0 is set. ALECTL0 is set ('1') and bit field BTYP is loaded with the bus configuration selected via PORT0.

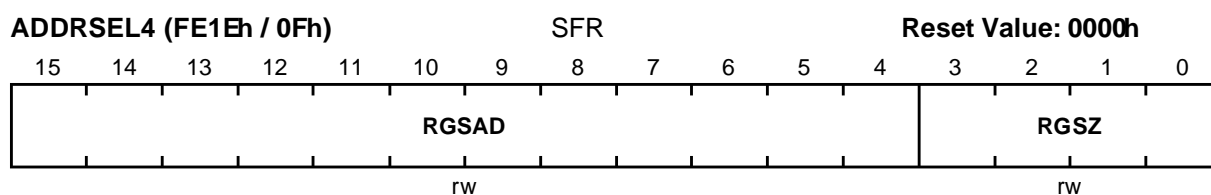
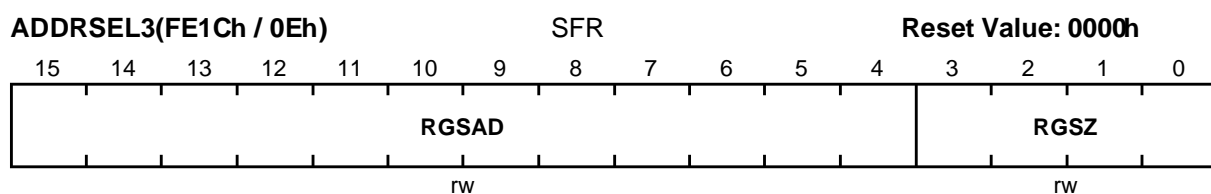
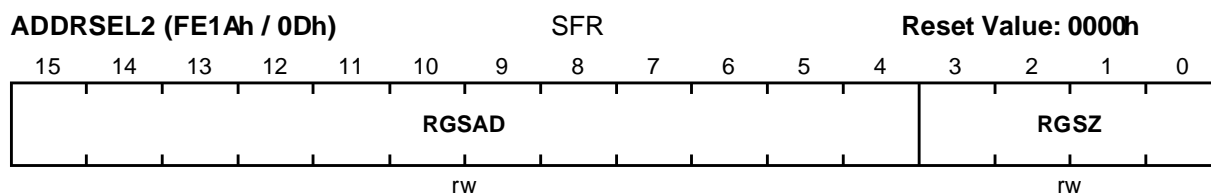
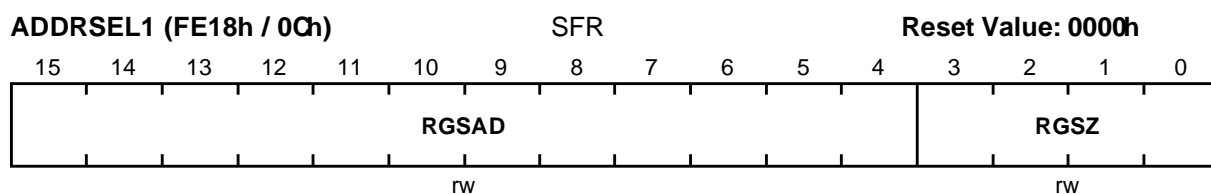
CONTROLLING THE EXTERNAL BUS CONTROLLER(Cont'd)

Bit	Function
MCTCx	Memory Cycle Time Control (Number of memory cycle time wait states) 0 0 0 0 : 15 waitstates (Number = 15 - <MCTC>) ... 1 1 1 1 : No waitstates
RWDCx	Read/Write Delay Control for BUSCONx '0': With read/write delay: activate command 1 TCL after falling edge of ALE '1': No read/write delay: activate command with falling edge of ALE
MTTCx	Memory Tristate Time Control '0': 1 waitstate '1': No waitstate
BTYPx	External Bus Configuration 0 0 : 8-bit Demultiplexed Bus 0 1 : 8-bit Multiplexed Bus 1 0 : 16-bit Demultiplexed Bus 1 1 : 16-bit Multiplexed Bus Note: For BUSCON0 BTYP is defined via PORT0 during reset.
ALECTLx	ALE Lengthening Control '0': Normal ALE signal '1': Lengthened ALE signal
BUSACTx	Bus Active Control '0': External bus disabled '1': External bus enabled (within the respective address window, see ADDRSEL)
RDYENx	READY Input Enable '0': External bus cycle is controlled by bit field MCTC only '1': External bus cycle is controlled by the READY input signal
CSRENx	Read Chip Select Enable '0': The \overline{CS} signal is independent of the read command (\overline{RD}) '1': The \overline{CS} signal is generated for the duration of the read command
CSWENx	Write Chip Select Enable '0': The \overline{CS} signal is independent of the write command ($\overline{WR}, \overline{WRL}, \overline{WRH}$) '1': The \overline{CS} signal is generated for the duration of the write command

Note: BUSACT0 is initialized with 0, if pin \overline{EA} is high during reset. If pin \overline{EA} is low during reset, bit BUSACT0 is set. ALECTL0 is set ('1') and bit field BTYP is loaded with the bus configuration selected via PORT0.

7 - EXTERNAL BUS INTERFACE (ST10R163)

CONTROLLING THE EXTERNAL BUS CONTROLLER(Cont'd)



Bit	Function
RGSZ	Range Size Selection Defines the size of the address area controlled by the respective BUSCONx/ADDRSELx register pair. See table below.
RGSAD	Range Start Address Defines the upper bits of the start address (A23...) of the respective address area. See table below.

Note: There is no register ADDRSEL0, as register BUSCON0 controls all external accesses outside the four address windows of BUSCON4...BUSCON1 within the complete address space.

CONTROLLING THE EXTERNAL BUS CONTROLLER(Cont'd)

Definition of Address Areas

The four register pairs BUSCON4/ADDRSEL4...BUSCON1/ADDRSEL1 allow to define 4 separate address areas within the address space of the ST10R163. Within each of these address areas external accesses can be controlled by one of the four different bus modes, independent of each other and of the bus mode specified in register BUSCON0. Each ADDRSELx register in a way cuts out an address window, within which the

parameters in register BUSCONx are used to control external accesses. The range start address of such a window defines the upper address bits, which are not used within the address window of the specified size (see table below). For a given window size only those upper address bits of the start address are used (marked "R"), which are not implicitly used for addresses inside the window. The lower bits of the start address (marked "x") are disregarded.

Bit field RGSZ	Resulting Window Size	Relevant Bits (R) of Start Address (A23...A12)
0000	4 KByte	R R R R R R R R R R R R R
0001	8 KByte	R R R R R R R R R R R R x
0010	16 KByte	R R R R R R R R R R R x x
0011	32 KByte	R R R R R R R R R R x x x
0100	64 KByte	R R R R R R R R x x x x
0101	128 KByte	R R R R R R R x x x x x
0110	256 KByte	R R R R R R x x x x x x
0111	512 KByte	R R R R R x x x x x x x
1000	1 MByte	R R R R x x x x x x x x
1001	2 MByte	R R R x x x x x x x x x
1010	4 MByte	R R x x x x x x x x x x
1011	8 MByte	R x x x x x x x x x x x
11xx	Reserved.	

Prioritizing of Address Areas

To allow a flexible use of ADDRSELs registers, a certain overlapping among address areas is possible due to a prioritizing scheme.

The ADDRSELs registers are split into two groups:

The first group with ADDRSEL1 and ADDRSEL2, gives to ADDRSEL2 a higher priority than ADDRSEL1. Thus, an overlapping among address areas defined via registers ADDRSEL1 and 2 is allowed.

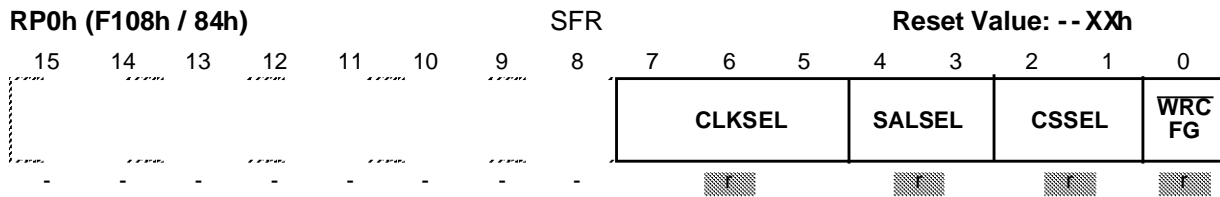
The other group with ADDRSEL3 and ADDRSEL4, gives to ADDRSEL4 a higher priority than ADDRSEL3. Thus, an overlapping among address areas defined via registers ADDRSEL3 and 4 is allowed.

The BUSCON0 register always has the lowest priority, and its address area can be overlapped by any of the other ADDRSELs.

The Xperipheral address areas defined via XADR registers always have higher priority than address areas defined via ADDRSELs registers.

7 - EXTERNAL BUS INTERFACE (ST10R163)

CONTROLLING THE EXTERNAL BUS CONTROLLER(Cont'd)



Bit	Function
WRCFG	Write Configuration Control '0': Pins \overline{WR} and \overline{BHE} retain their normal function '1': Pins \overline{WR} acts as \overline{WRL} , pin \overline{BHE} acts as \overline{WRH}
CSSEL	Chip Select Line Selection (Number of active \overline{CS} outputs) 0 0: 3 \overline{CS} lines: $\overline{CS2} \dots \overline{CS0}$ 0 1: 2 \overline{CS} lines: $\overline{CS1} \dots \overline{CS0}$ 1 0: No \overline{CS} lines at all 1 1: 5 \overline{CS} lines: $\overline{CS4} \dots \overline{CS0}$ (Default without pulldowns)
SALSEL	Segment Address Line Selection (Number of active segment address outputs) 0 0: 4-bit segment address: A19...A16 0 1: No segment address lines at all 1 0: 8-bit segment address: A23...A16 1 1: 2-bit segment address: A17...A16 (Default without pulldowns)
CLKSEL	System Clock Selection 000: $f_{CPU} = 2.5 * f_{OSC}$ 001: $f_{CPU} = 0.5 * f_{OSC}$ 010: $f_{CPU} = 1.5 * f_{OSC}$ 011: $f_{CPU} = f_{OSC}$ 100: $f_{CPU} = 5 * f_{OSC}$ 101: $f_{CPU} = 2 * f_{OSC}$ 110: $f_{CPU} = 3 * f_{OSC}$ 111: $f_{CPU} = 4 * f_{OSC}$

Note: RP0H cannot be changed via software, but rather allows to check the current configuration.

Precautions and Hints

- The external bus interface is enabled as long as at least one of the BUSCON registers has its BUSACT bit set.
- PORT1 will output the intra-segment address as long as at least one of the BUSCON registers selects a demultiplexed external bus, even for multiplexed bus cycles.

- The address areas defined via registers ADDRSEL1 and ADDRSEL2 may not overlap address areas defined via registers ADDRSEL3 and ADDRSEL4. The operation of the EBC will be unpredictable in such a case.
- The address areas defined via registers ADDRSELx may overlap internal address areas. Internal accesses will be executed in this case.
- For any access to an internal address area the EBC will remain inactive (see EBC Idle State).

7.6 EBC IDLE STATE

When the external bus interface is enabled, but no external access is currently executed, the EBC is idle. During this idle state the external interface appears in the following way:

- PORT0 goes into high impedance (floating)
- PORT1 (if used for the bus interface) drives the address used last
- Port 4 (the activated pins) drives the segment address used last
- Port 6 drives the \overline{CS} signal corresponding to the address (see above), if enabled
- ALE remains inactive (low)
- $\overline{RD}/\overline{WR}$ remain inactive (high)

7.7 EXTERNAL BUS ARBITRATION

In high performance systems it may be efficient to share external resources like memory banks or peripheral devices among more than one controller. The ST10R163 supports this approach with the possibility to arbitrate the access to its external bus, ie. to the external devices.

This bus arbitration allows an external master to request the ST10R163's bus via the \overline{HOLD} input. The ST10R163 acknowledges this request via the \overline{HLDA} output and will float its bus lines in this case. The \overline{CS} outputs may provide internal pullup devices. The new master may now access the peripheral devices or memory banks via the same interface lines as the ST10R163. During this time the ST10R163 can keep on executing, as long as it does not need access to the external bus. All actions that just require internal resources like instruction or data memory and on-chip peripherals, may be executed in parallel.

When the ST10R163 needs access to its external bus while it is occupied by another bus master, it demands it via the \overline{BREQ} output.

The external bus arbitration is enabled by setting bit \overline{HLDEN} in register PSW to '1'. This bit may be cleared during the execution of program sequences, where the external resources are required but cannot be shared with other bus masters. In this case the ST10R163 will not answer to \overline{HOLD} requests from other external masters.

The pins \overline{HOLD} , \overline{HLDA} and \overline{BREQ} keep their alternate function (bus arbitration) even after the arbitration mechanism has been switched off by clearing \overline{HLDEN} .

All three pins are used for bus arbitration after bit \overline{HLDEN} was set once.

Entering the Hold State

Access to the ST10R163's external bus is requested by driving its \overline{HOLD} input low. After synchronizing this signal the ST10R163 will complete a current external bus cycle (if any is active), release the external bus and grant access to it by driving the \overline{HLDA} output low. During hold state the ST10R163 treats the external bus interface as follows:

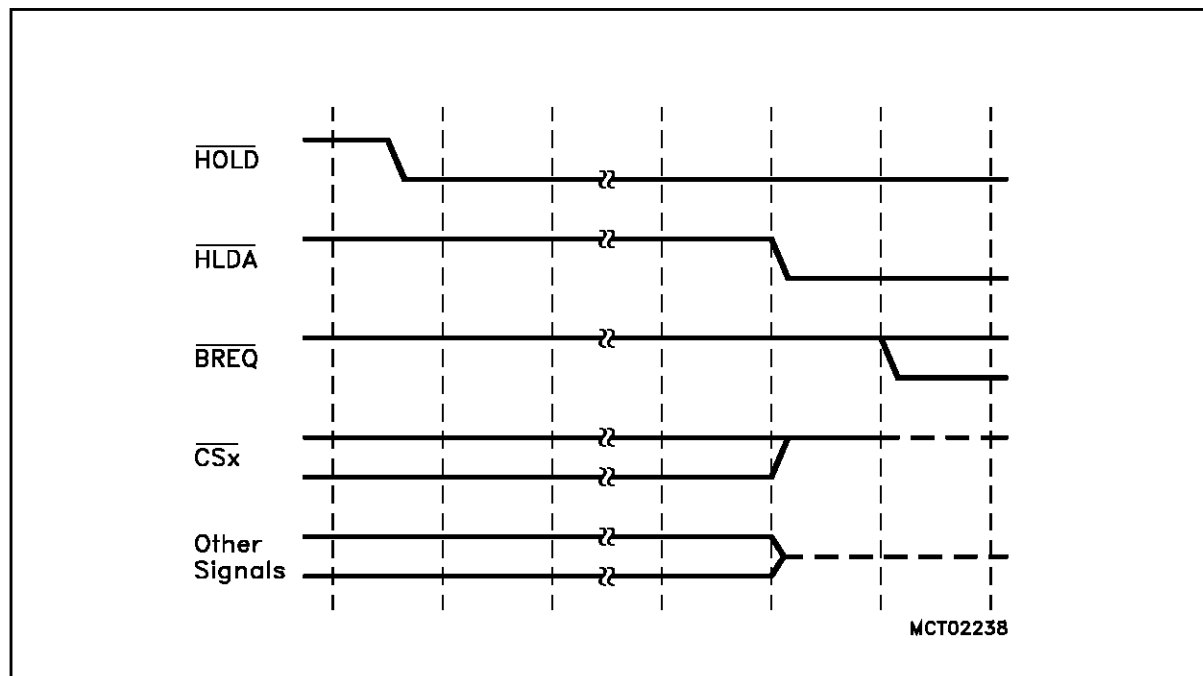
- Address and data bus(es) float to tri-state
- ALE is pulled low by an internal pulldown device
- Command lines are pulled high by internal pullup devices (\overline{RD} , $\overline{WR}/\overline{WRL}$, $\overline{BHE}/\overline{WRH}$)
- \overline{CSx} outputs are pulled high (push/pull mode) or float to tri-state (open drain mode)

Should the ST10R163 require access to its external bus during hold mode, it activates its bus request output \overline{BREQ} to notify the arbitration circuitry. \overline{BREQ} is activated only during hold mode. It will be inactive during normal operation.

7 - EXTERNAL BUS INTERFACE (ST10R163)

EXTERNAL BUS ARBITRATION(Cont'd)

Figure 4-11. External Bus Arbitration, Releasing the Bus



Note: The ST10R163 will complete the currently running bus cycle before granting bus access as indicated by the broken lines. This may delay hold acknowledge compared to this figure. The figure above shows the first possibility for $\overline{\text{BREQ}}$ to get active.

EXTERNAL BUS ARBITRATION(Cont'd)

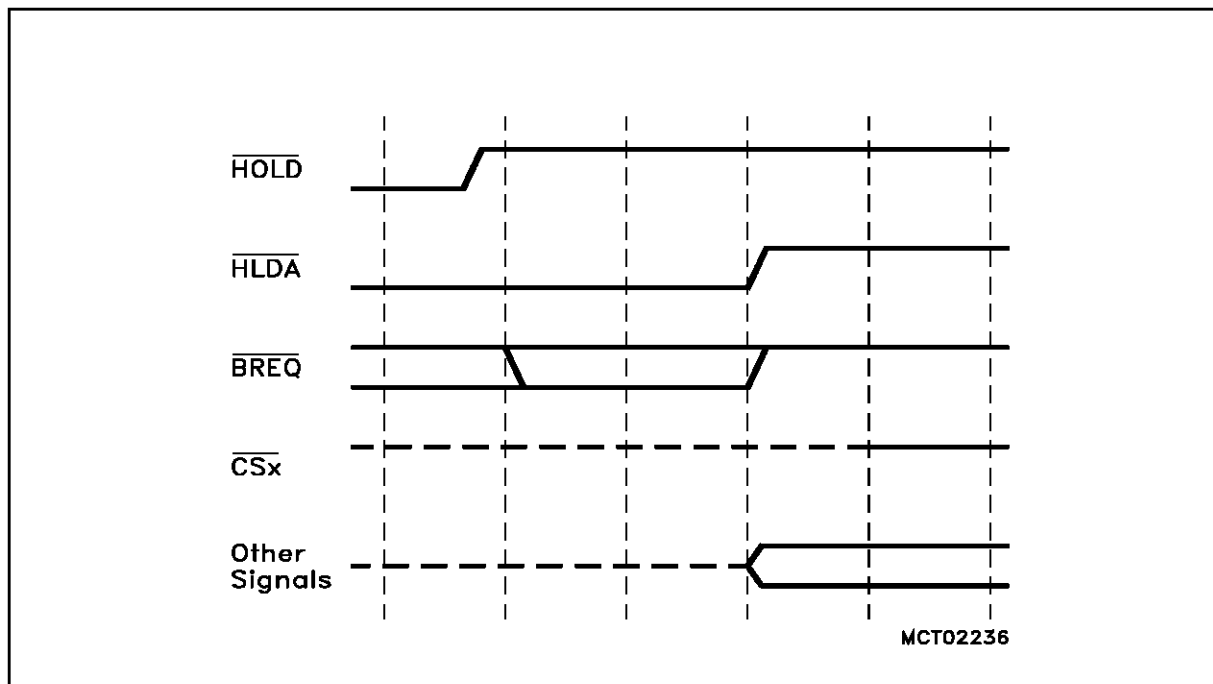
Exiting the Hold State

The external bus master returns the access rights to the ST10R163 by driving the $\overline{\text{HOLD}}$ input high. After synchronizing this signal the ST10R163 will drive the $\overline{\text{HLDA}}$ output high, actively drive the control signals and resume executing external bus cycles if required.

Depending on the arbitration logic, the external bus can be returned to the ST10R163 under two circumstances:

- The external master does no more require access to the shared resources and gives up its own access rights, or
- The ST10R163 needs access to the shared resources and demands this by activating its $\overline{\text{BREQ}}$ output. The arbitration logic may then deactivate the other master's $\overline{\text{HLDA}}$ and so free the external bus for the ST10R163, depending on the priority of the different masters.

Figure 4-12 External Bus Arbitration, (Regaining the Bus)



Note: The falling $\overline{\text{BREQ}}$ edge shows the last chance for $\overline{\text{BREQ}}$ to trigger the indicated regain-sequence. Even if $\overline{\text{BREQ}}$ is activated earlier the regain-sequence is initiated by $\overline{\text{HOLD}}$ going high. $\overline{\text{BREQ}}$ and $\overline{\text{HOLD}}$ are connected via an external arbitration circuitry. Please note that $\overline{\text{HOLD}}$ may also be deactivated without the ST10R163 requesting the bus.

7 - EXTERNAL BUS INTERFACE (ST10R163)

7.8 THE XBUS INTERFACE

The ST10R163 provides an on-chip interface (the XBUS interface), which allows to connect integrated customer/application specific peripherals to the standard controller core. The XBUS is an internal representation of the external bus interface, ie. it is operated in the same way.

The current XBUS interface is prepared to support up to 3 X-Peripherals.

For each peripheral on the XBUS (X-Peripheral) there is a separate address window controlled by an XBCON and an XADRS register. As an interface to a peripheral in many cases is represented by just a few registers, the XADRS registers select smaller address windows than the standard ADDRSEL registers. As the register pairs control integrated peripherals rather than externally connected ones, they are fixed by mask programming rather than being user programmable.

X-Peripheral accesses provide the same choices as external accesses, so these peripherals may be byte-wide or word-wide, with or without a separate address bus. Interrupt nodes and configuration pins (on PORT0) are provided for X-Peripherals to be integrated.

Note: If you plan to develop a peripheral of your own to be integrated into a ST10R163 device to create a customer specific version, please ask for the specification of the XBUS interface and for further support.

8 - GENERAL PURPOSE TIMER UNITS

The General Purpose Timer Units GPT1 and GPT2 represent very flexible multifunctional timer structures which may be used for timing, event counting, pulse width measurement, pulse generation, frequency multiplication, and other purposes. They incorporate five 16-bit timers that are grouped into the two timer blocks GPT1 and GPT2.

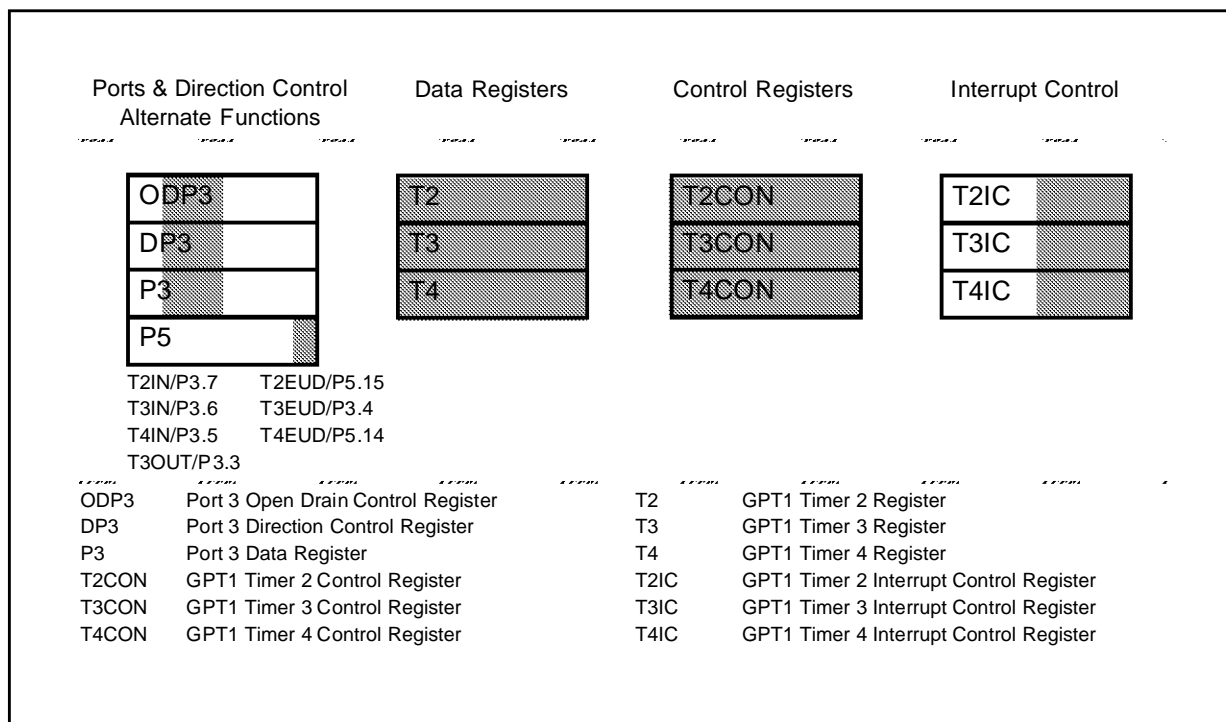
Block GPT1 contains 3 timers/counters with a maximum resolution of 400 ns (@ 20 MHz CPU clock), while block GPT2 contains 2 timers/counters with a maximum resolution of 200 ns (@ 20 MHz CPU clock) and a 16-bit Capture/Reload register (CAPREL). Each timer in each block may operate independently in a number of different modes such as gated timer or counter mode,

or may be concatenated with another timer of the same block. The auxiliary timers of GPT1 may optionally be configured as reload or capture registers for the core timer. In the GPT2 block, the additional CAPREL register supports capture and reload operation with extended functionality. Each block has alternate input/output functions and specific interrupts associated with it.

8.1 TIMER BLOCK GPT1

From a programmer's point of view, the GPT1 block is composed of a set of SFRs as summarized below. Those portions of port and direction registers which are used for alternate functions by the GPT1 block are shaded.

Figure 5-1. SFRs and Port Pins Associated with Timer Block GPT1



8 - GENERAL PURPOSE TIMER UNITS (ST10R163)

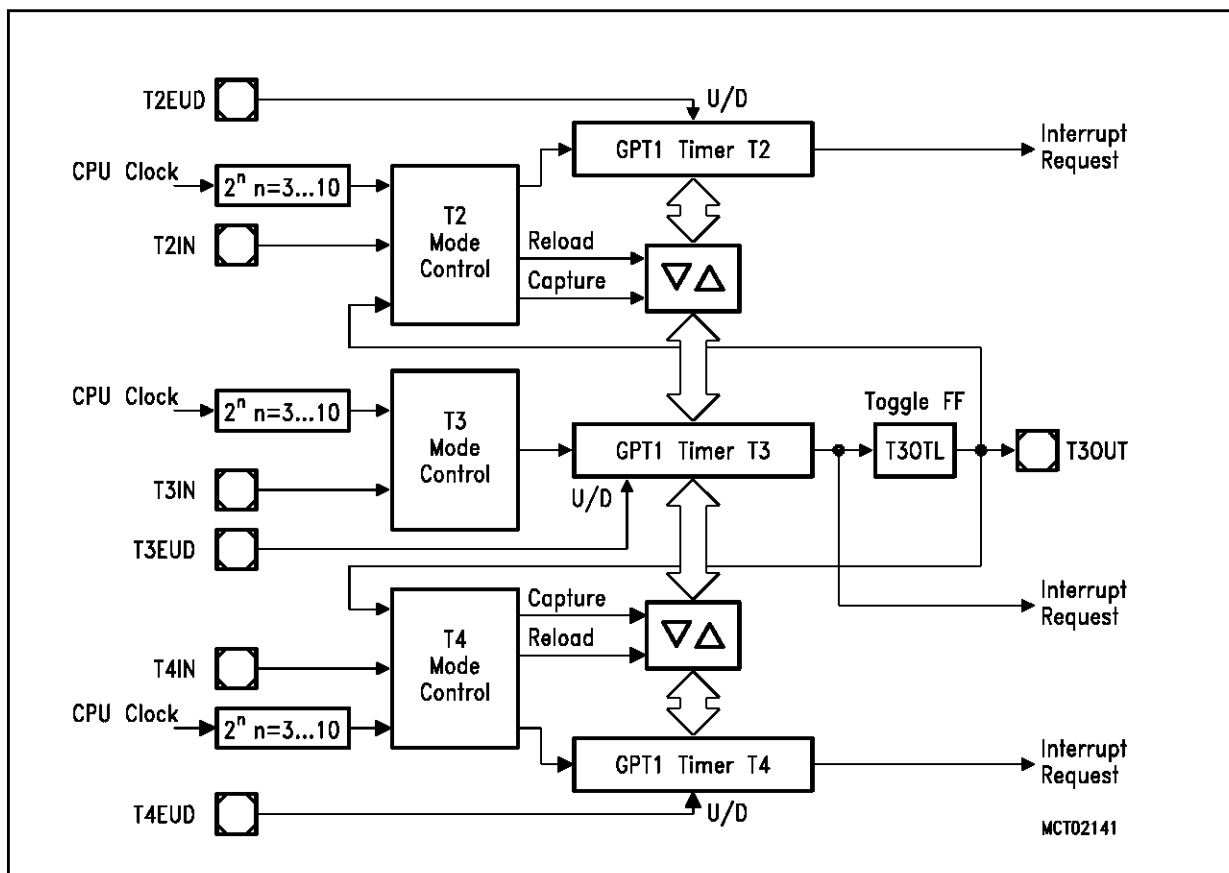
TIMER BLOCK GPT1 (Cont'd)

All three timers of block GPT1 (T2, T3, T4) can run in 3 basic modes, which are timer, gated timer, and counter mode, and all timers can either count up or down. Each timer has an alternate input function pin on Port 3 associated with it which serves as the gate control in gated timer mode, or as the count input in counter mode. The count direction (Up / Down) may be programmed via software or may be dynamically altered by a signal at an external control input pin. Each overflow/underflow of core timer T3 may be indicated on an alternate output function pin. The auxiliary timers T2 and T4 may additionally be concatenated with the

core timer, or used as capture or reload registers for the core timer.

The current contents of each timer can be read or modified by the CPU by accessing the corresponding timer registers T2, T3, or T4, which are located in the non-bitaddressable SFR space. When any of the timer registers is written to by the CPU in the state immediately before a timer increment, decrement, reload, or capture is to be performed, the CPU write operation has priority in order to guarantee correct results.

Figure 5-2 GPT1 Block Diagram



TIMER BLOCK GPT1 (Cont'd)

8.1.1 GPT1 Core Timer T3

The core timer T3 is configured and controlled via its bitaddressable control register T3CON.

T3CON (FF42h / A1h) SFR Reset Value: 0000h

15	14	13	12	11	10	9	8	7	6	5	4	3	2	1	0
-	-	-	-	-	T3 OTL	T3OE	T3 UDE	T3UD	T3R	T3M			T3I		
-	-	-	-	-	rw	rw	rw	rw	rw	rw			rw		

Bit	Function
T3I	Timer 3 Input Selection Depends on the operating mode, see respective sections.
T3M	Timer 3 Mode Control (Basic Operating Mode) 0 0 0 :Timer Mode 0 0 1 :Counter Mode 0 1 0 :Gated Timer with Gate active low 0 1 1 :Gated Timer with Gate active high 1 X X :Reserved. Do not use this combination.
T3R	Timer 3 Run Bit T3R = '0':Timer / Counter 3 stops T3R = '1':Timer / Counter 3 runs
T3UD	Timer 3 Up / Down Control *)
T3UDE	Timer 3 External Up/Down Enable *)
T3OE	Alternate Output Function Enable T3OE = '0':Alternate Output Function Disabled T3OE = '1':Alternate Output Function Enabled
T3OTL	Timer 3 Output Toggle Latch Toggles on each overflow / underflow of T3. Can be set or reset by software.

*) For the effects of bits T3UD and T3UDE refer to the direction table below.

8 - GENERAL PURPOSE TIMER UNITS (ST10R163)

TIMER BLOCK GPT1 (Cont'd)

Timer 3 Run Bit

The timer can be started or stopped by software through bit T3R (Timer T3 Run Bit). If T3R='0', the timer stops. Setting T3R to '1' will start the timer. In gated timer mode, the timer will only run if T3R='1' and the gate is active (high or low, as programmed).

Count Direction Control

The count direction of the core timer can be controlled either by software or by the external input pin T3EUD (Timer T3 External Up/Down Control Input), which is the alternate input function of port pin P3.4. These options are selected by bits T3UD and T3UDE in control register T3CON. When the up/down control is done by software (bit T3UDE='0'), the count direction can be altered by setting or clearing bit T3UD. When T3UDE='1', pin T3EUD is selected to be the controlling source of the count direction. However, bit T3UD can still be used to reverse the actual count direction, as shown in the table below. If T3UD='0' and pin T3EUD shows a low level, the timer is counting up. With a high level at T3EUD the timer is counting down. If T3UD='1', a high level at pin T3EUD specifies counting up, and a low level specifies counting down. The count direction can be

GPT1 Core Timer T3 Count Direction Control

Pin TxEUD	Bit TxUDE	Bit TxUD	Count Direction
X	0	0	Count Up
X	0	1	Count Down
0	1	0	Count Up
1	1	0	Count Down
0	1	1	Count Down
1	1	1	Count Up

Note: The direction control works the same for core timer T3 and for auxiliary timers T2 and T4. Therefore the pins and bits are named Tx...

changed regardless of whether the timer is running or not.

When pin T3EUD/P3.4 is used as external count direction control input, it must be configured as input, ie. its corresponding direction control bit DP3.4 must be set to '0'.

Timer 3 Output Toggle Latch

An overflow or underflow of timer T3 will clock the toggle bit T3OTL in control register T3CON. T3OTL can also be set or reset by software. Bit T3OE (Alternate Output Function Enable) in register T3CON enables the state of T3OTL to be an alternate function of the external output pin T3OUT/P3.3. For that purpose, a '1' must be written into port data latch P3.3 and pin T3OUT/P3.3 must be configured as output by setting direction control bit DP3.3 to '1'. If T3OE='1', pin T3OUT then outputs the state of T3OTL. If T3OE='0', pin T3OUT can be used as general purpose IO pin.

In addition, T3OTL can be used in conjunction with the timer over/underflows as an input for the counter function or as a trigger source for the reload function of the auxiliary timers T2 and T4. For this purpose, the state of T3OTL does not have to be available at pin T3OUT, because an internal connection is provided for this option.

TIMER BLOCK GPT1 (Cont'd)

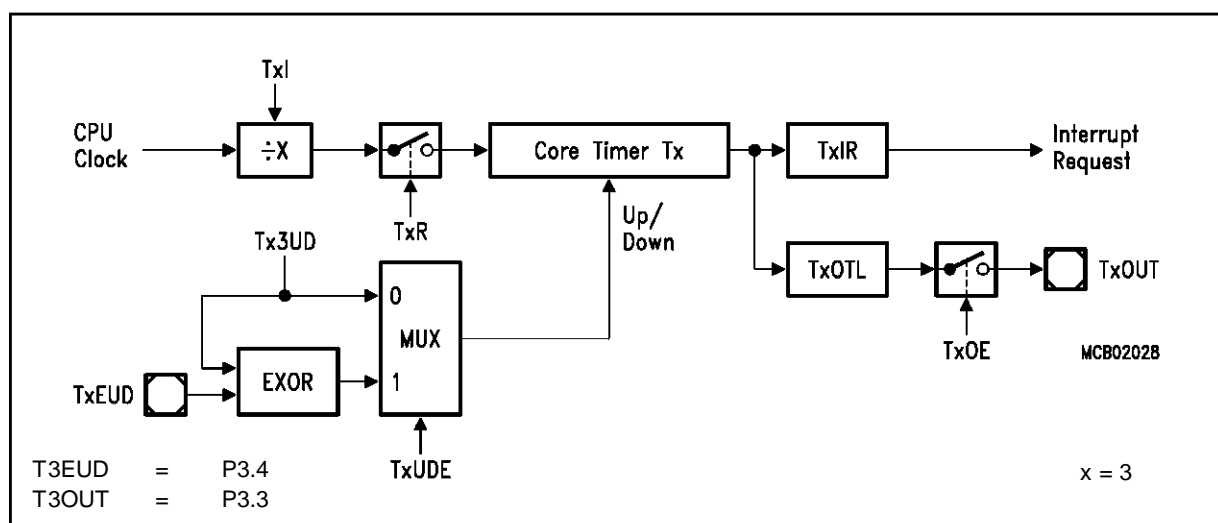
Timer 3 in Timer Mode

Timer mode for the core timer T3 is selected by setting bit field T3M in register T3CON to '000b'. In this mode, T3 is clocked with the internal system clock (CPU clock) divided by a programmable prescaler, which is selected by bit field T3I. The input frequency f_{T3} for timer T3 and its resolution r_{T3} are scaled linearly with lower clock frequencies f_{CPU} , as can be seen from the following formula:

$$f_{T3} = \frac{f_{CPU}}{8 * 2^{\langle T3I \rangle}} \quad r_{T3} [\mu s] = \frac{8 * 2^{\langle T3I \rangle}}{f_{CPU} [MHz]}$$

tion when using a 20 MHz CPU clock are listed in the table below. This table also applies to the Gated Timer Mode of T3 and to the auxiliary timers T2 and T4 in timer and gated timer mode. Note that some numbers may be rounded to 3 significant digits.

Figure 5-3. Block Diagram of Core Timer T3 in Timer Mode



GPT1 Timer Input Frequencies, Resolution and Periods

$f_{CPU} = 20MHz$	Timer Input Selection T2I / T3I / T4I							
	000b	001b	010b	011b	100b	101b	110b	111b
Prescaler factor	8	16	32	64	128	256	512	1024
Input Frequency	2.5 MHz	1.25 MHz	625 kHz	312.5 kHz	156.25 kHz	78.125 kHz	39.06 kHz	19.53 kHz
Resolution	400 ns	800 ns	1.6 μs	3.2 μs	6.4 μs	12.8 μs	25.6 μs	51.2 μs
Period	26 ms	52.5 ms	105 ms	210 ms	420 ms	840 ms	1.68 s	3.36 s

TIMER BLOCK GPT1 (Cont'd)

Timer 3 in Gated Timer Mode

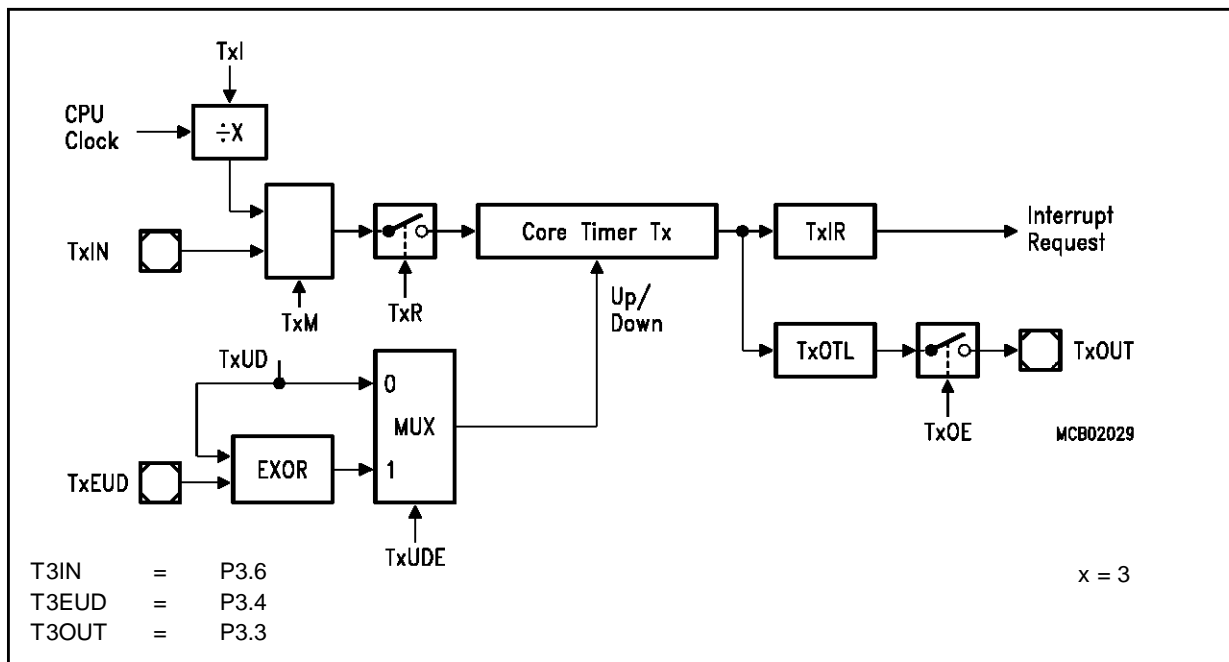
Gated timer mode for the core timer T3 is selected by setting bit field T3M in register T3CON to '010b' or '011b'. Bit T3M.0 (T3CON.3) selects the active level of the gate input. In gated timer mode the same options for the input frequency as for the timer mode are available. However, the input clock to the timer in this mode is gated by the external input pin T3IN (Timer T3 External Input), which is an alternate function of P3.6.

To enable this operation pin T3IN/P3.6 must be configured as input, ie. direction control bit DP3.6 must contain '0'.

If T3M.0='0', the timer is enabled when T3IN shows a low level. A high level at this pin stops the timer. If T3M.0='1', pin T3IN must have a high level in order to enable the timer. In addition, the timer can be turned on or off by software using bit T3R. The timer will only run, if T3R='1' and the gate is active. It will stop, if either T3R='0' or the gate is inactive.

Note: A transition of the gate signal at pin T3IN does not cause an interrupt request.

Figure 5-4. Block Diagram of Core Timer T3 in Gated Timer Mode



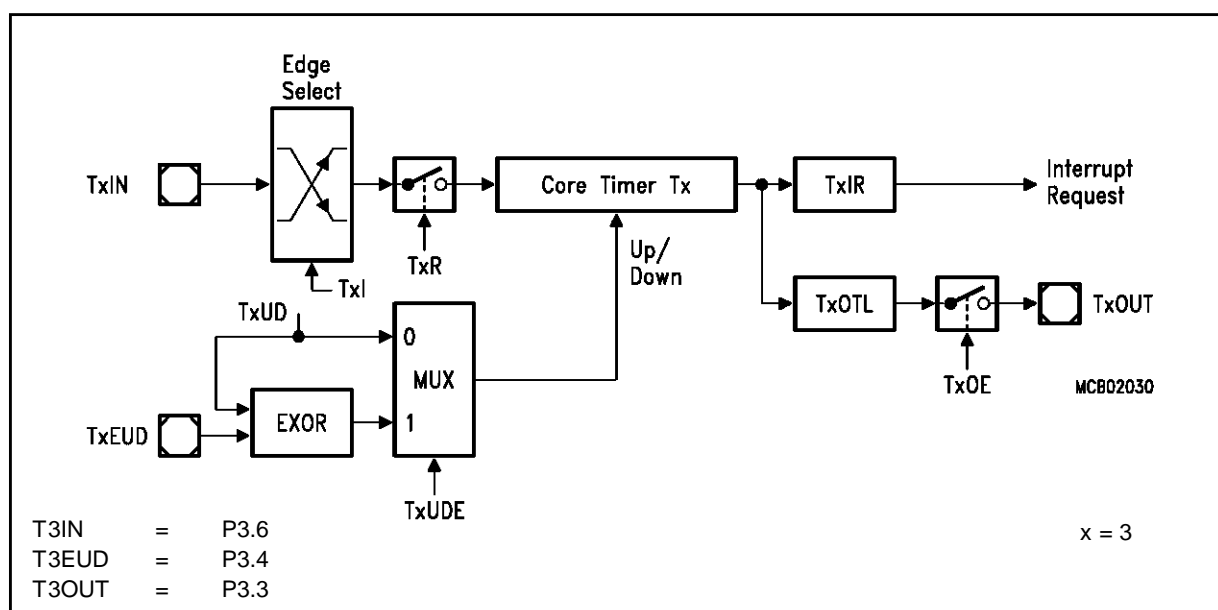
TIMER BLOCK GPT1 (Cont'd)

Timer 3 in Counter Mode

Counter mode for the core timer T3 is selected by setting bit field T3M in register T3CON to '001b'. In counter mode timer T3 is clocked by a transition at the external input pin T3IN, which is an alternate function of P3.6. The event causing an increment or decrement of the timer can be a positive, a negative, or both a positive and a negative transition at this pin. Bit field T3I in control register T3CON selects the triggering transition (see table below).

For counter operation, pin T3IN/P3.6 must be configured as input, ie. direction control bit DP3.6 must be '0'. The maximum input frequency which is allowed in counter mode is f_{CPU} (1.25 MHz @ $f_{CPU} = 20$ MHz). To ensure that a transition of the count input signal which is applied to T3IN is correctly recognized, its level should be held high or low for at least $8f_{CPU}$ cycles before it changes.

Figure 5-5. Block Diagram of Core Timer T3 in Counter Mode



GPT1 Core Timer T3 (Counter Mode) Input Edge Selection

T3I	Triggering Edge for Counter Increment / Decrement
0 0 0	None. Counter T3 is disabled
0 0 1	Positive transition (rising edge) on T3IN
0 1 0	Negative transition (falling edge) on T3IN
0 1 1	Any transition (rising or falling edge) on T3IN
1 X X	Reserved. Do not use this combination

8 - GENERAL PURPOSE TIMER UNITS (ST10R163)

TIMER BLOCK GPT1 (Cont'd)

8.1.2 GPT1 Auxiliary Timers T2 and T4

Both auxiliary timers T2 and T4 have exactly the same functionality. They can be configured for timer, gated timer, or counter mode with the same options for the timer frequencies and the count signal as the core timer T3. In addition to these 3 counting modes, the auxiliary timers can be concatenated with the core timer, or they may be used as reload or capture registers in conjunction with the core timer.

Note: The auxiliary timers have no output toggle latch and no alternate output function.

The individual configuration for timers T2 and T4 is determined by their bitaddressable control registers T2CON and T4CON, which are both organized identically. Note that functions which are present in all 3 timers of block GPT1 are controlled in the same bit positions and in the same manner in each of the specific control registers.

T2CON (FF40h / A0h)													SFR		Reset Value: 0000h				
15	14	13	12	11	10	9	8	7	6	5	4	3	2	1	0				
-	-	-	-	-	-	-	T2UDE	T2UD	T2R	T2M			T2I						
-	-	-	-	-	-	-	rw	rw	rw	rw			rw						

T4CON (FF44h / A2h)													SFR		Reset Value: 0000h				
15	14	13	12	11	10	9	8	7	6	5	4	3	2	1	0				
-	-	-	-	-	-	-	T4UDE	T4UD	T4R	T4M			T4I						
-	-	-	-	-	-	-	rw	rw	rw	rw			rw						

Bit	Function
TxI	Timer x Input Selection Depends on the Operating Mode, see respective sections.
TxM	Timer x Mode Control (Basic Operating Mode) 0 0 0 :Timer Mode 0 0 1 :Counter Mode 0 1 0 :Gated Timer with Gate active low 0 1 1 :Gated Timer with Gate active high 1 0 0 :Reload Mode 1 0 1 :Capture Mode 1 1 X :Reserved. Do not use this combination
TxR	Timer x Run Bit TxR = '0':Timer / Counter x stops TxR = '1':Timer / Counter x runs
TxUD	Timer x Up / Down Control ^{*)}
TxUDE	Timer x External Up/Down Enable ^{*)}

^{*)} For the effects of bits TxUD and TxUDE refer to the direction table (see T3 section).

TIMER BLOCK GPT1 (Cont'd)

Count Direction Control for Auxiliary Timers

The count direction of the auxiliary timers can be controlled in the same way as for the core timer T3. The description and the table apply accordingly.

Timers T2 and T4 in Timer Mode or Gated Timer Mode

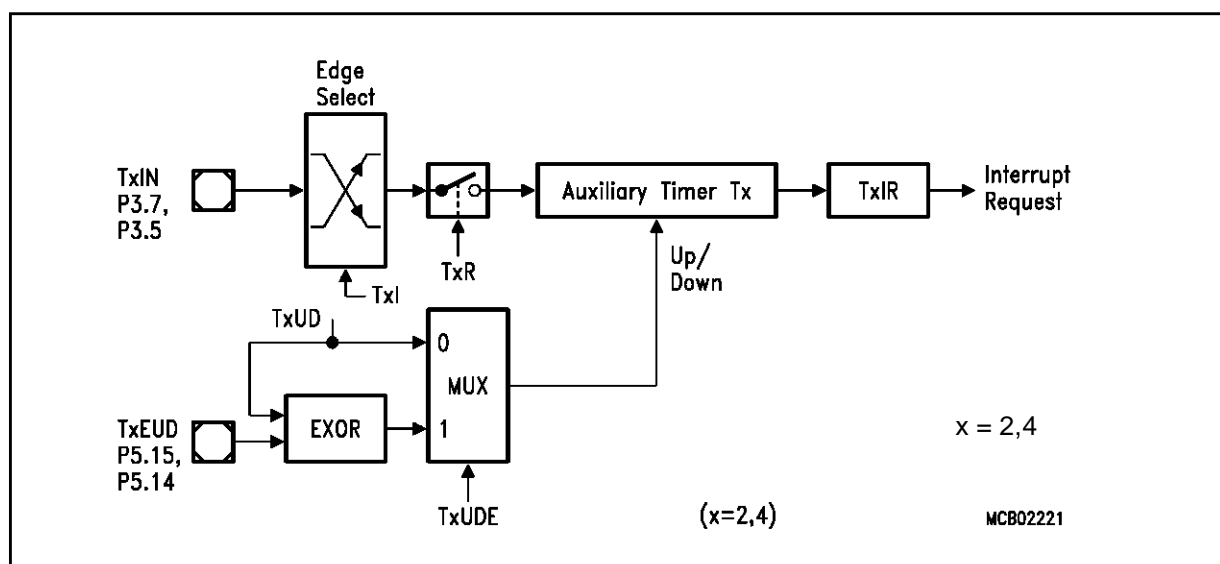
When the auxiliary timers T2 and T4 are programmed to timer mode or gated timer mode, their operation is the same as described for the core timer T3. The descriptions, figures and tables apply accordingly with one exception:

- There is no output toggle latch and no alternate output pin for T2 and T4.

Timers T2 and T4 in Counter Mode

Counter mode for the auxiliary timers T2 and T4 is selected by setting bit field TxM in the respective register TxCON to '001b'. In counter mode timers T2 and T4 can be clocked either by a transition at the respective external input pin TxIN, or by a transition of timer T3's output toggle latch T3OTL.

Figure 5-6. Block Diagram of an Auxiliary Timer in Counter Mode



The event causing an increment or decrement of a timer can be a positive, a negative, or both a positive and a negative transition at either the respective input pin, or at the toggle latch T3OTL. Bit field TxI in the respective control register TxCON selects the triggering transition (see table below).

For counter operation, pin TxIN must be configured as input, ie. the respective direction control bit must be '0'. The maximum input frequency which is allowed in counter mode is $f_{CPU/8}$ (1.25 MHz @ $f_{CPU}=20$ MHz). To ensure that a transition of the count input signal which is applied to TxIN is correctly recognized, its level should be held for at least $8 f_{CPU}$ cycles before it changes.

GPT1 Auxiliary Timer (Counter Mode) Input Edge Selection

T2I / T4I	Triggering Edge for Counter Increment / Decrement
X 0 0	None. Counter Tx is disabled
0 0 1	Positive transition (rising edge) on TxIN
0 1 0	Negative transition (falling edge) on TxIN
0 1 1	Any transition (rising or falling edge) on TxIN
1 0 1	Positive transition (rising edge) of output toggle latch T3OTL
1 1 0	Negative transition (falling edge) of output toggle latch T3OTL
1 1 1	Any transition (rising or falling edge) of output toggle latch T3OTL

Note: Only state transitions of T3OTL which are caused by the overflows/underflows of T3 will trigger the counter function of T2/T4. Modifications of T3OTL via software will NOT trigger the counter function of T2/T4.

TIMER BLOCK GPT1 (Cont'd)

Timer Concatenation

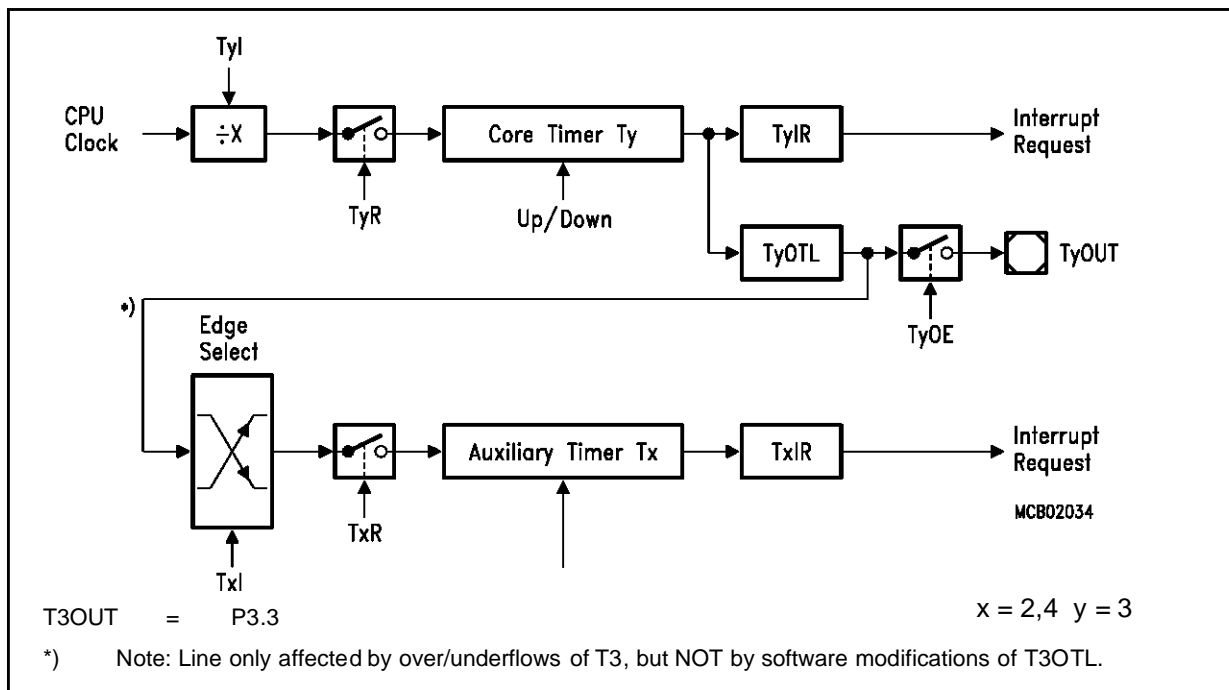
Using the toggle bit T3OTL as a clock source for an auxiliary timer in counter mode concatenates the core timer T3 with the respective auxiliary timer. Depending on which transition of T3OTL is selected to clock the auxiliary timer, this concatenation forms a 32-bit or a 33-bit timer / counter.

• **32-bit Timer/Counter** If both a positive and a negative transition of T3OTL is used to clock the auxiliary timer, this timer is clocked on every overflow/underflow of the core timer T3. Thus, the two timers form a 32-bit timer.

• **33-bit Timer/Counter** If either a positive or a negative transition of T3OTL is selected to clock the auxiliary timer, this timer is clocked on every second overflow/underflow of the core timer T3. This configuration forms a 33-bit timer (16-bit core timer+T3OTL+16-bit auxiliary timer).

The count directions of the two concatenated timers are not required to be the same. This offers a wide variety of different configurations. T3 can operate in timer, gated timer or counter mode in this case.

Figure 5-7. Concatenation of Core Timer T3 and an Auxiliary Timer



TIMER BLOCK GPT1 (Cont'd)

Auxiliary Timer in Reload Mode

Reload mode for the auxiliary timers T2 and T4 is selected by setting bit field TxM in the respective register TxCON to '100b'. In reload mode the core timer T3 is reloaded with the contents of an auxiliary timer register, triggered by one of two different signals. The trigger signal is selected the same way as the clock source for counter mode (see table above), ie. a transition of the auxiliary timer's input or the output toggle latch T3OTL may trigger the reload.

Note: When programmed for reload mode, the respective auxiliary timer (T2 or T4) stops independent of its run flag T2R or T4R.

Upon a trigger signal T3 is loaded with the contents of the respective timer register (T2 or T4) and the interrupt request flag (T2IR or T4IR) is set.

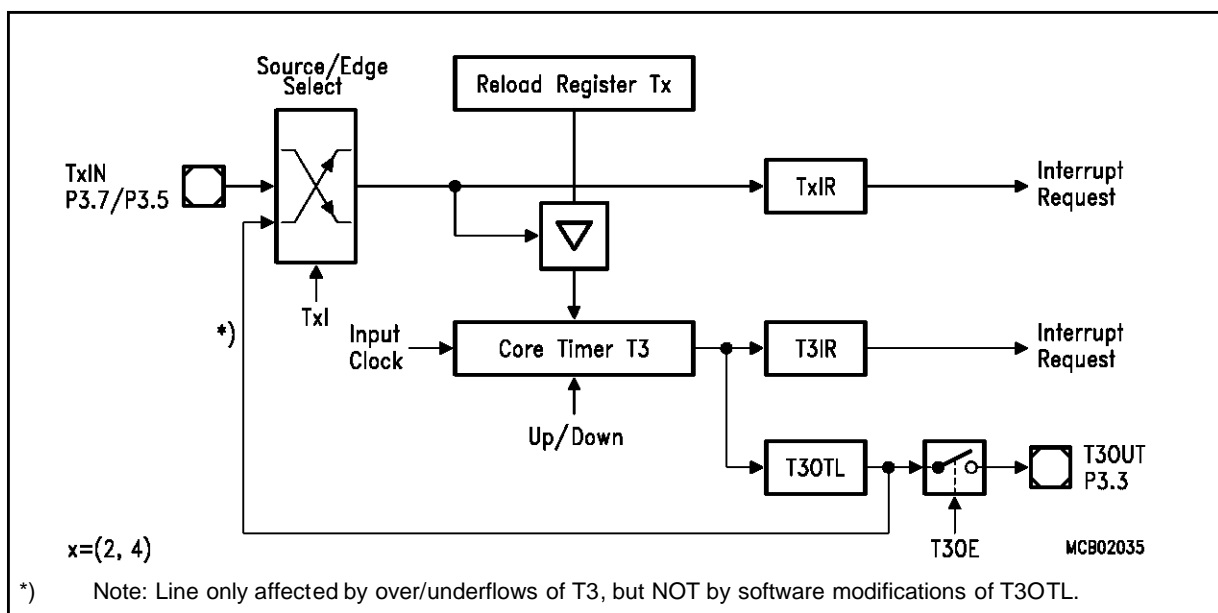
Note: When a T3OTL transition is selected for the trigger signal, also the interrupt request flag T3IR

will be set upon a trigger, indicating T3's overflow or underflow. Modifications of T3OTL via software will NOT trigger the counter function of T2/T4.

The reload mode triggered by T3OTL can be used in a number of different configurations. Depending on the selected active transition the following functions can be performed:

- If both a positive and a negative transition of T3OTL is selected to trigger a reload, the core timer will be reloaded with the contents of the auxiliary timer each time it overflows or underflows. This is the standard reload mode (reload on overflow/underflow).
- If either a positive or a negative transition of T3OTL is selected to trigger a reload, the core timer will be reloaded with the contents of the auxiliary timer on every second overflow or underflow.

Figure 5-8. GPT1 Auxiliary Timer in Reload Mode



8 - GENERAL PURPOSE TIMER UNITS (ST10R163)

TIMER BLOCK GPT1 (Cont'd)

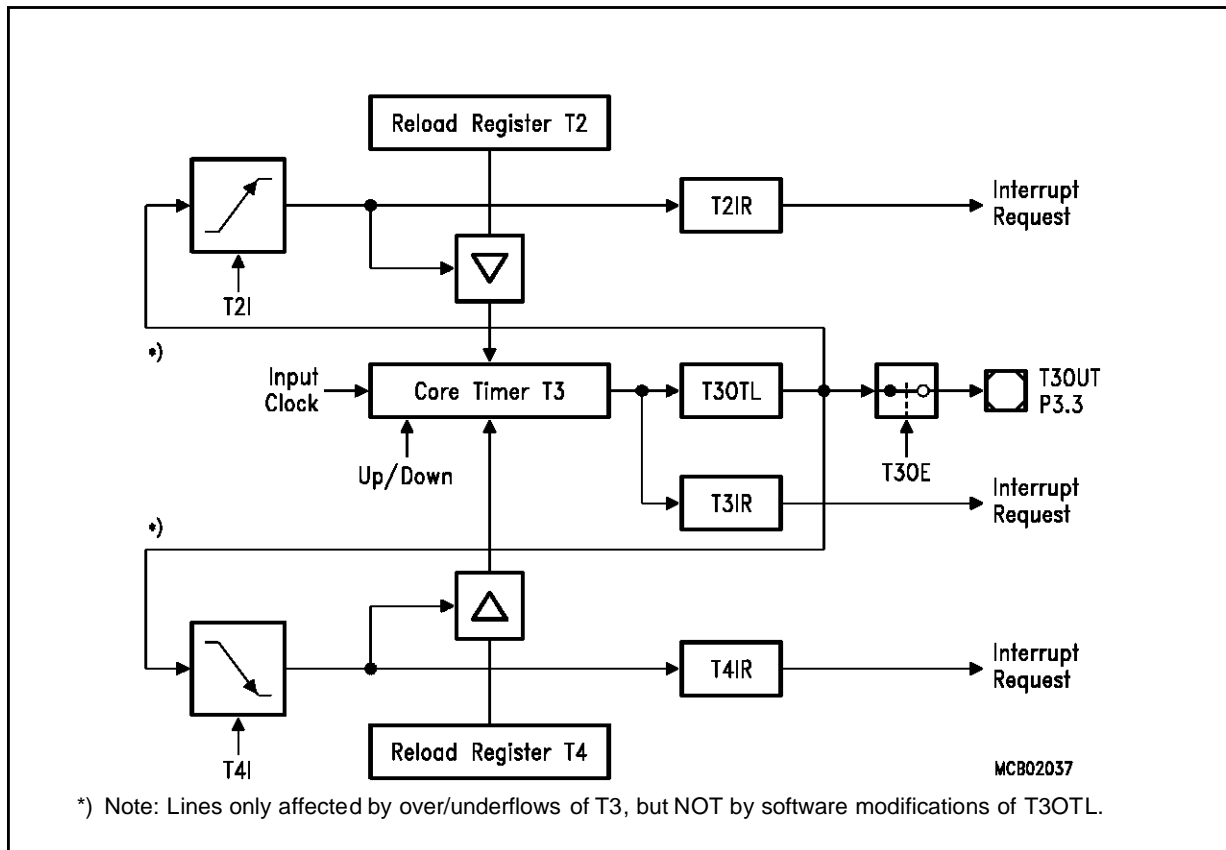
• Using this “single-transition” mode for both auxiliary timers allows to perform very flexible pulse width modulation (PWM). One of the auxiliary timers is programmed to reload the core timer on a positive transition of T3OTL, the other is programmed for a reload on a negative transition of T3OTL. With this combination the core timer is alternately reloaded from the two auxiliary timers.

The figure below shows an example for the generation of a PWM signal using the alternate reload mechanism. T2 defines the high time of the PWM

signal (reloaded on positive transitions) and T4 defines the low time of the PWM signal (reloaded on negative transitions). The PWM signal can be output on T3OUT with T3OE='1', P3.3='1' and DP3.3='1'. With this method the high and low time of the PWM signal can be varied in a wide range.

Note: The output toggle latch T3OTL is accessible via software and may be changed, if required, to modify the PWM signal. However, this will NOT trigger the reloading of T3.

Figure 5-9. GPT1 Timer Reload Configuration for PWM Generation



Note: Although it is possible, it should be avoided to select the same reload trigger event for both auxiliary timers. In this case both reload registers would try to load the core timer at the same time. If this combination is selected, T2 is disregarded and the contents of T4 is reloaded.

TIMER BLOCK GPT1 (Cont'd)

Auxiliary Timer in Capture Mode

Capture mode for the auxiliary timers T2 and T4 is selected by setting bit field TxM in the respective register TxCON to '101b'. In capture mode the contents of the core timer are latched into an auxiliary timer register in response to a signal transition at the respective auxiliary timer's external input pin TxIN. The capture trigger signal can be a positive, a negative, or both a positive and a negative transition.

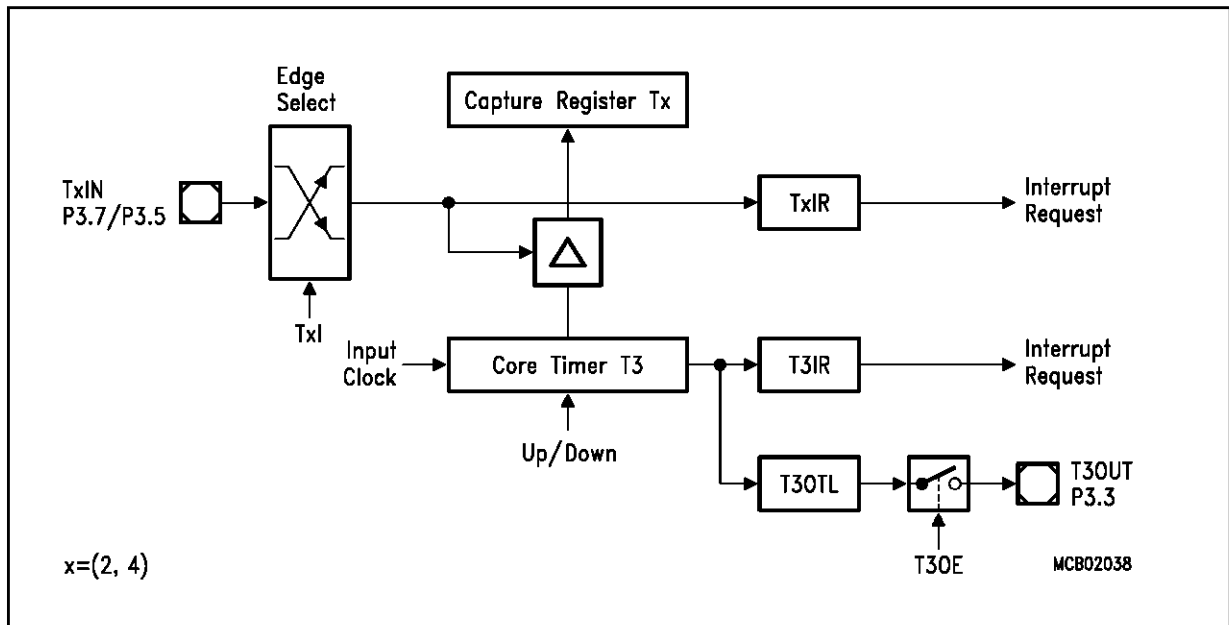
The two least significant bits of bit field TxI are used to select the active transition (see table in the counter mode section), while the most significant bit TxI.2 is irrelevant for capture mode. It is recommended to keep this bit cleared (TxI.2 = '0').

Note: When programmed for capture mode, the respective auxiliary timer (T2 or T4) stops independent of its run flag T2R or T4R.

Upon a trigger (selected transition) at the corresponding input pin TxIN the contents of the core timer are loaded into the auxiliary timer register and the associated interrupt request flag TxIR will be set.

Note: The direction control bits DP3.7 (for T2IN) and DP3.5 (for T4IN) must be set to '0', and the level of the capture trigger signal should be held high or low for at least 8 f_{CPU} cycles before it changes to ensure correct edge detection.

Figure 5-10. GPT1 Auxiliary Timer in Capture Mode



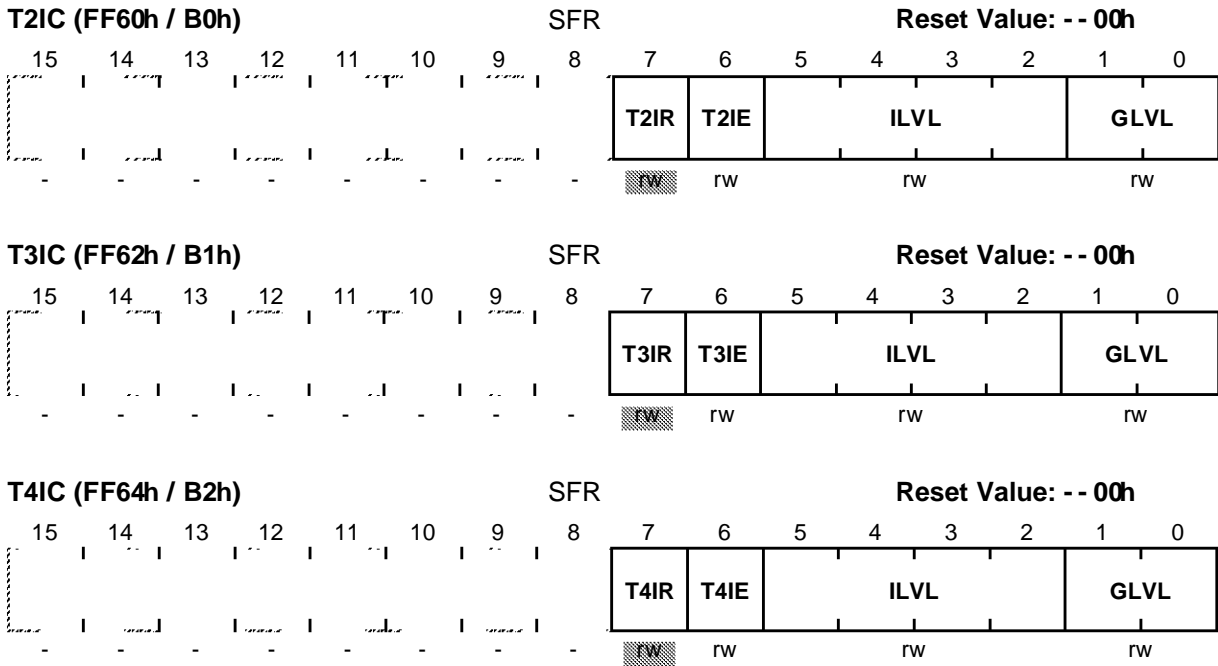
8 - GENERAL PURPOSE TIMER UNITS (ST10R163)

TIMER BLOCK GPT1 (Cont'd)

8.1.3 Interrupt Control for GPT1 Timers

When a timer overflows from FFFFh to 0000h (when counting up), or when it underflows from 0000h to FFFFh (when counting down), its interrupt request flag (T2IR, T3IR or T4IR) in register TxIC will be set. This will cause an interrupt to the

respective timer interrupt vector (T2INT, T3INT or T4INT) or trigger a PEC service, if the respective interrupt enable bit (T2IE, T3IE or T4IE in register TxIC) is set. There is an interrupt control register for each of the three timers.



Note: Please refer to the general Interrupt Control Register description for an explanation of the control fields.

8.2 TIMER BLOCK GPT2

From a programmer's point of view, the GPT2 block is represented by a set of SFRs as summarized below. Those portions of port and direction registers which are used for alternate functions by the GPT2 block are shaded.

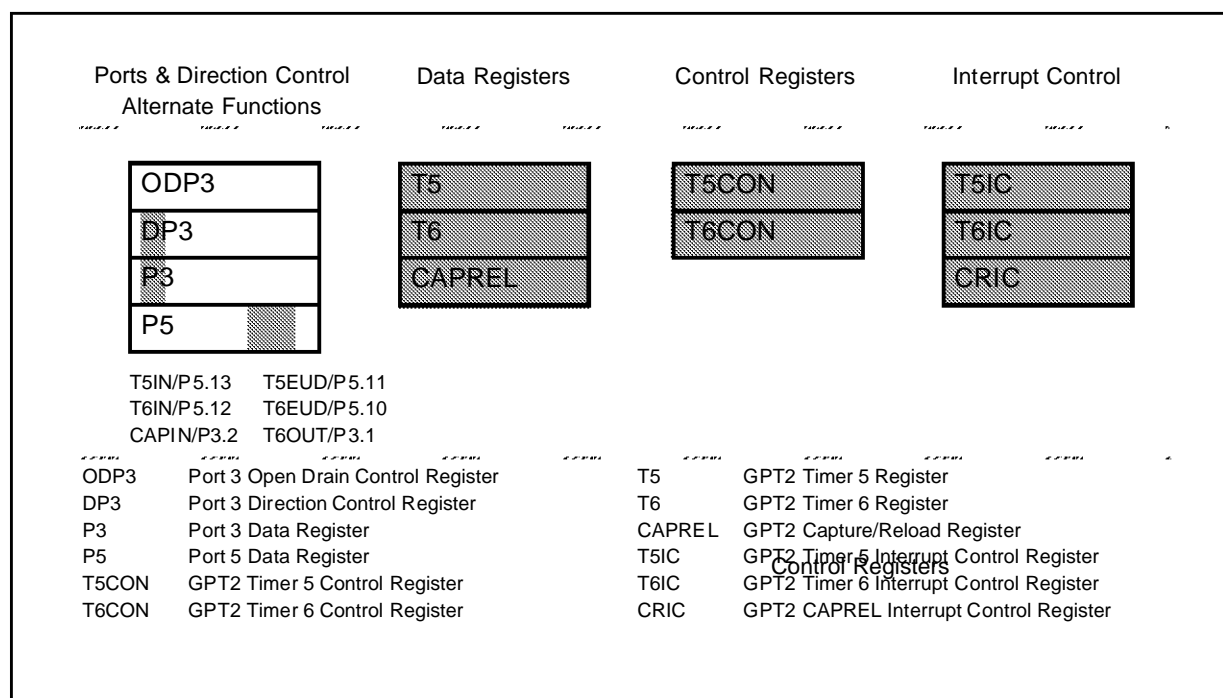
Timer block GPT2 supports high precision event control with a maximum resolution of 200 ns (@ 20 MHz CPU clock). It includes the two timers T5 and T6, and the 16-bit capture/reload register CAPREL. Timer T6 is referred to as the core timer, and T5 is referred to as the auxiliary timer of GPT2.

Each timer has an alternate input function pin associated with it which serves as the gate control in gated timer mode, or as the count input in counter

mode. The count direction (Up / Down) may be programmed via software or may be dynamically altered by a signal at an external control input pin. An overflow/underflow of T6 is indicated by the output toggle bit T6OTL whose state may be output on an alternate function port pin. In addition, T6 may be reloaded with the contents of CAPREL.

The toggle bit also supports the concatenation of T6 with auxiliary timer T5. Triggered by an external signal, the contents of T5 can be captured into register CAPREL, and T5 may optionally be cleared. Both timer T6 and T5 can count up or down, and the current timer value can be read or modified by the CPU in the non-bitaddressable SFRs T5 and T6.

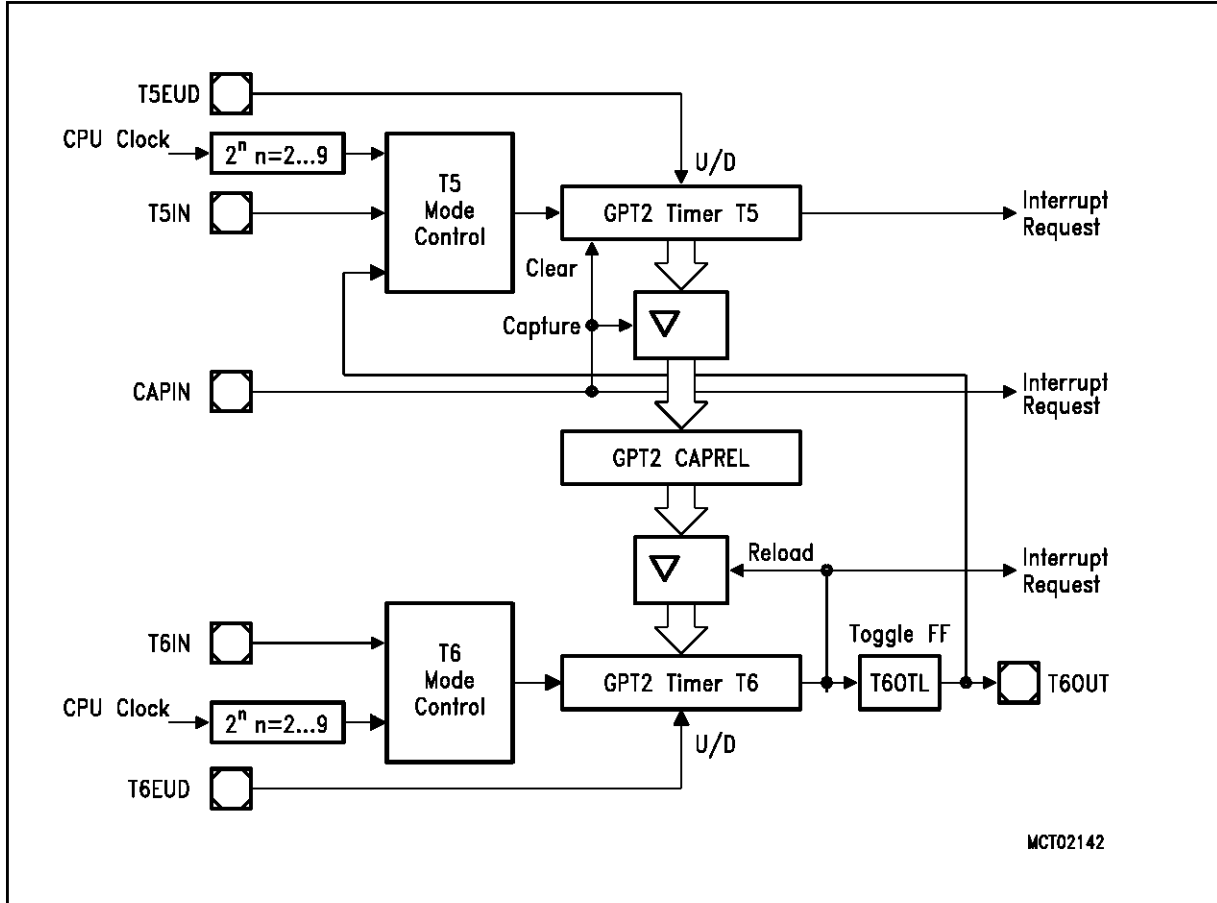
Figure 5-11. SFRs and Port Pins Associated with Timer Block GPT2



8 - GENERAL PURPOSE TIMER UNITS (ST10R163)

TIMER BLOCK GPT1 (Cont'd)

Figure 5-12 GPT2 Block Diagram



8 - GENERAL PURPOSE TIMER UNITS (ST10R163)

TIMER BLOCK GPT1 (Cont'd)

8.2.1 GPT2 Core Timer T6

The operation of the core timer T6 is controlled by its bitaddressable control register T6CON.

The timer can be started or stopped by software through bit T6R (Timer T6 Run Bit). If T6R='0', the timer stops. Setting T6R to '1' will start the timer. In gated timer mode, the timer will only run if T6R='1' and the gate is active (high or low, as programmed).

Timer 6 Run Bit

T6CON (FF48h / A4h)

SFR

Reset Value: 0000h

	15	14	13	12	11	10	9	8	7	6	5	4	3	2	1	0
T6SR	-	-	-	-	-	T6OTL	T6OE	T6UDE	T6UD	T6R	T6M			T6I		
	rw	-	-	-	-	rw	rw	rw	rw	rw	rw			rw		

Bit	Function
T6I	Timer 6 Input Selection Depends on the Operating Mode, see respective sections.
T6M	Timer 6 Mode Control (Basic Operating Mode) 0 0 0 :Timer Mode 0 0 1 :Counter Mode 0 1 0 :Gated Timer with Gate active low 0 1 1 :Gated Timer with Gate active high 1 X X :Reserved. Do not use this combination.
T6R	Timer 6 Run Bit T6R = '0':Timer / Counter 6 stops T6R = '1':Timer / Counter 6 runs
T6UD	Timer 6 Up / Down Control *)
T6UDE	Timer 6 External Up/Down Enable *)
T6OE	Alternate Output Function Enable T6OE = '0':Alternate Output Function Disabled T6OE = '1':Alternate Output Function Enabled
T6OTL	Timer 6 Output Toggle Latch Toggles on each overflow / underflow of T6. Can be set or reset by software.
T6SR	Timer 6 Reload Mode Enable T6SR = '0':Reload from register CAPREL Disabled T6SR = '1':Reload from register CAPREL Enabled

*) For the effects of bits T6UD and T6UDE refer to the direction table below.

TIMER BLOCK GPT1 (Cont'd)

Count Direction Control

The count direction of the core timer can be controlled either by software or by the external input pin T6EUD (Timer T6 External Up/Down Control Input), which is the alternate input function of port pin P5.10. These options are selected by bits T6UD and T6UDE in control register T6CON. When the up/down control is done by software (bit T6UDE='0'), the count direction can be altered by setting or clearing bit T6UD. When T6UDE='1', pin T6EUD is selected to be the controlling source of the count direction. However, bit T6UD can still be used to reverse the actual count direction, as shown in the table below. If T6UD='0' and pin T6EUD shows a low level, the timer is counting up. With a high level at T6EUD the timer is counting down. If T6UD='1', a high level at pin T6EUD specifies counting up, and a low level specifies counting down. The count direction can be changed regardless of whether the timer is running or not.

GPT2 Core Timer T6 Count Direction Control

Pin TxEUD	Bit TxUDE	Bit TxUD	Count Direction
X	0	0	Count Up
X	0	1	Count Down
0	1	0	Count Up
1	1	0	Count Down
0	1	1	Count Down
1	1	1	Count Up

Note: The direction control works the same for core timer T6 and for auxiliary timer T5. Therefore the pins and bits are named Tx...

Timer 6 Output Toggle Latch

An overflow or underflow of timer T6 will clock the toggle bit T6OTL in control register T6CON. T6OTL can also be set or reset by software. Bit T6OE (Alternate Output Function Enable) in register T6CON enables the state of T6OTL to be an alternate function of the external output pin T6OUT/P3.1. For that purpose, a '1' must be written into port data latch P3.1 and pin T6OUT/P3.1 must be configured as output by setting direction control bit DP3.1 to '1'. If T6OE='1', pin T6OUT then outputs the state of T6OTL. If T6OE='0', pin T6OUT can be used as general purpose IO pin.

In addition, T6OTL can be used in conjunction with the timer over/underflows as an input for the counter function of the auxiliary timer T5. For this purpose, the state of T6OTL does not have to be available at pin T6OUT, because an internal connection is provided for this option.

TIMER BLOCK GPT1 (Cont'd)

Timer 6 in Timer Mode

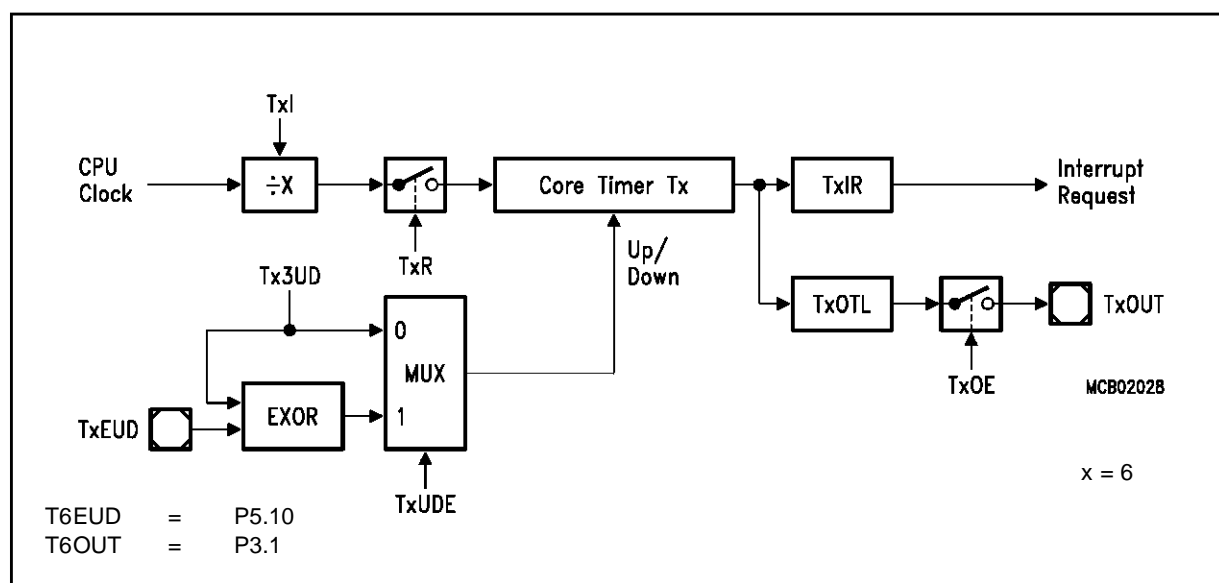
Timer mode for the core timer T6 is selected by setting bit field T6M in register T6CON to '000b'. In this mode, T6 is clocked with the internal system clock divided by a programmable prescaler, which is selected by bit field T6l. The input frequency f_{T6} for timer T6 and its resolution r_{T6} are scaled linearly with lower clock frequencies f_{CPU} , as can be seen from the following formula:

$$f_{T6} = \frac{f_{CPU}}{4 * 2^{<T6l>}} \quad r_{T6} [\mu s] = \frac{4 * 2^{<T6l>}}{f_{CPU} [MHz]}$$

tion when using a 20 MHz CPU clock are listed in the table below. This table also applies to the Gated Timer Mode of T6 and to the auxiliary timer T5 in timer and gated timer mode. Note that some numbers may be rounded to 3 significant digits.

The timer input frequencies, resolution and periods which result from the selected prescaler op-

Figure 5-13. Block Diagram of Core Timer T6 in Timer Mode



GPT2 Timer Input Frequencies, Resolution and Periods

$f_{CPU} = 20MHz$	Timer Input Selection T5l / T6l							
	000b	001b	010b	011b	100b	101b	110b	111b
Prescaler factor	4	8	16	32	64	128	256	512
Input Frequency	5 MHz	2.5 MHz	1.25 MHz	625 kHz	312.5 kHz	156.25 kHz	78.125 kHz	39.06 kHz
Resolution	200ns	400 ns	800 ns	1.6 μs	3.2 μs	6.4 μs	12.8 μs	25.6 μs
Period	13 ms	26 ms	52.5 ms	105 ms	210 ms	420 ms	840 ms	1.68 s

8 - GENERAL PURPOSE TIMER UNITS (ST10R163)

TIMER BLOCK GPT1 (Cont'd)

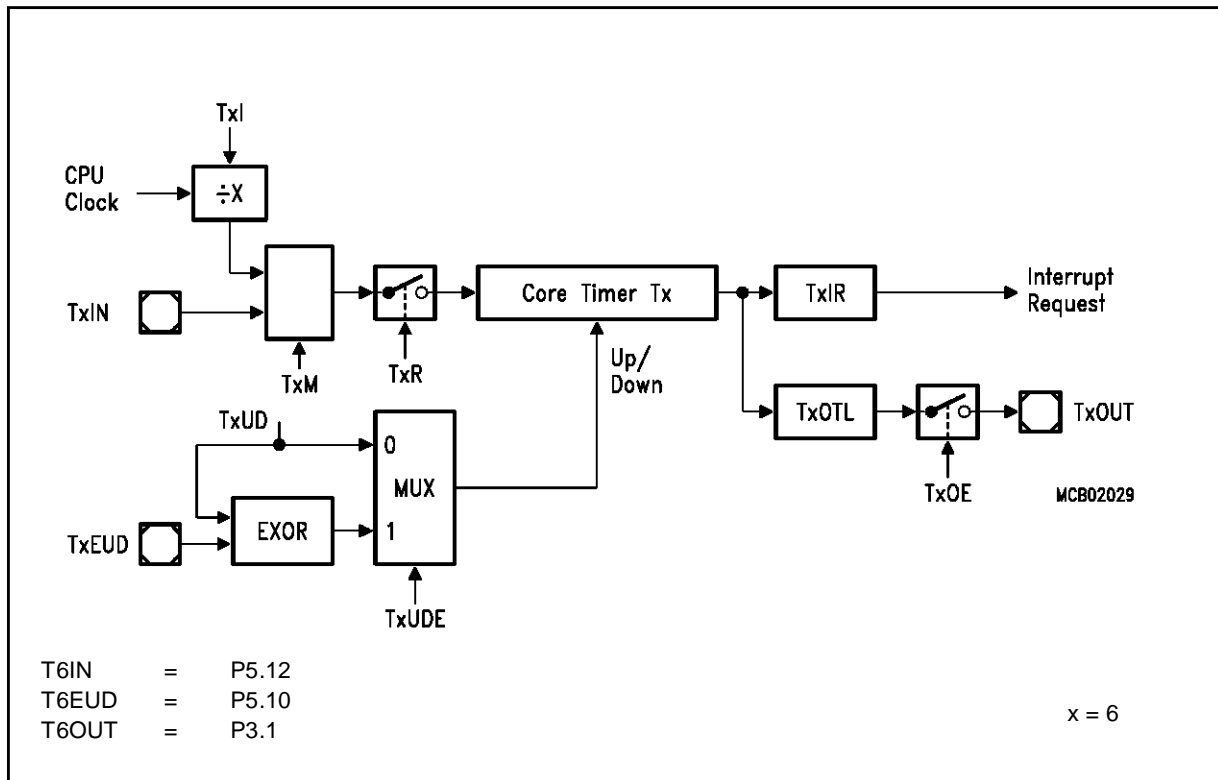
Timer 6 in Gated Timer Mode

Gated timer mode for the core timer T6 is selected by setting bit field T6M in register T6CON to '010b' or '011b'. Bit T6M.0 (T6CON.3) selects the active level of the gate input. In gated timer mode the same options for the input frequency as for the timer mode are available. However, the input clock to the timer in this mode is gated by the external input pin T6IN (Timer T6 External Input), which is an alternate function of P5.12.

If T6M.0='0', the timer is enabled when T6IN shows a low level. A high level at this pin stops the timer. If T6M.0='1', pin T6IN must have a high level in order to enable the timer. In addition, the timer can be turned on or off by software using bit T6R. The timer will only run, if T6R='1' and the gate is active. It will stop, if either T6R='0' or the gate is inactive.

Note: A transition of the gate signal at pin T6IN does not cause an interrupt request.

Figure 5-14. Block Diagram of Core Timer T6 in Gated Timer Mode



TIMER BLOCK GPT1 (Cont'd)

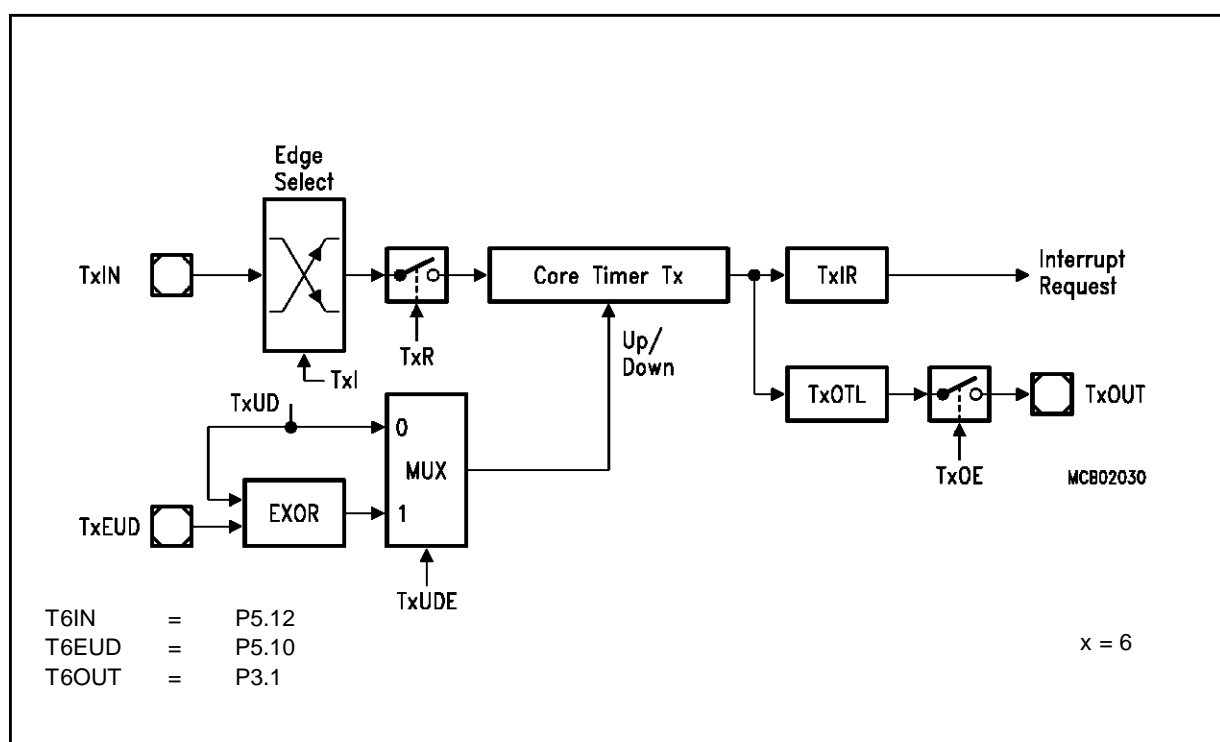
Timer 6 in Counter Mode

Counter mode for the core timer T6 is selected by setting bit field T6M in register T6CON to '001b'. In counter mode timer T6 is clocked by a transition at the external input pin T6IN, which is an alternate function of P5.12. The event causing an increment or decrement of the timer can be a positive, a negative, or both a positive and a negative transition

at this pin. Bit field T6I in control register T6CON selects the triggering transition (see table below).

The maximum input frequency which is allowed in counter mode is $f_{CPU}/4$ (2.5 MHz @ $f_{CPU}=20$ MHz). To ensure that a transition of the count input signal which is applied to T6IN is correctly recognized, its level should be held high or low for at least $4 f_{CPU}$ cycles before it changes.

Figure 5-15. Block Diagram of Core Timer T6 in Counter Mode



GPT2 Core Timer T6 (Counter Mode) Input Edge Selection

T6I	Triggering Edge for Counter Increment / Decrement
0 0 0	None. Counter T6 is disabled
0 0 1	Positive transition (rising edge) on T6IN
0 1 0	Negative transition (falling edge) on T6IN
0 1 1	Any transition (rising or falling edge) on T6IN
1 X X	Reserved. Do not use this combination

8 - GENERAL PURPOSE TIMER UNITS (ST10R163)

TIMER BLOCK GPT1 (Cont'd)

8.2.2 GPT2 Auxiliary Timer T5

The auxiliary timer T5 can be configured for timer, gated timer, or counter mode with the same options for the timer frequencies and the count signal as the core timer T6. In addition to these 3 counting modes, the auxiliary timer can be concatenated with the core timer.

Note: The auxiliary timer has no output toggle latch and no alternate output function.

The individual configuration for timer T5 is determined by its bitaddressable control register T5CON. Note that functions which are present in both timers of block GPT2 are controlled in the same bit positions and in the same manner in each of the specific control registers.

T5CON (FF46h / A3h)

SFR

Reset Value: 0000h

15	14	13	12	11	10	9	8	7	6	5	4	3	2	1	0
T5SC	T5 CLR	CI	-	-	-	T5 UDE	T5UD	T5R	-	T5M			T5I		
rw	rw	rw	-	-	-	rw	rw	rw	-	rw			rw		

Bit	Function
T5I	Timer 5 Input Selection Depends on the Operating Mode, see respective sections.
T5M	Timer 5 Mode Control (Basic Operating Mode) 0 0 : Timer Mode 0 1 : Counter Mode 1 0 : Gated Timer with Gate active low 1 1 : Gated Timer with Gate active high
T5R	Timer 5 Run Bit T5R = '0': Timer / Counter 5 stops T5R = '1': Timer / Counter 5 runs
T5UD	Timer 5 Up / Down Control *)
T5UDE	Timer 5 External Up/Down Enable *)
CI	Register CAPREL Input Selection 0 0 : Capture disabled 0 1 : Positive transition (rising edge) on CAPIN 1 0 : Negative transition (falling edge) on CAPIN 1 1 : Any transition (rising or falling edge) on CAPIN
T5CLR	Timer 5 Clear Bit T5CLR = '0': Timer 5 not cleared on a capture T5CLR = '1': Timer 5 is cleared on a capture
T5SC	Timer 5 Capture Mode Enable T5SC = '0': Capture into register CAPREL Disabled T5SC = '1': Capture into register CAPREL Enabled

*) For the effects of bits TxUD and TxUDE refer to the direction table (see T6 section).

TIMER BLOCK GPT1 (Cont'd)**Count Direction Control for Auxiliary Timer**

The count direction of the auxiliary timer can be controlled in the same way as for the core timer T6. The description and the table apply accordingly.

Timer T5 in Timer Mode or Gated Timer Mode

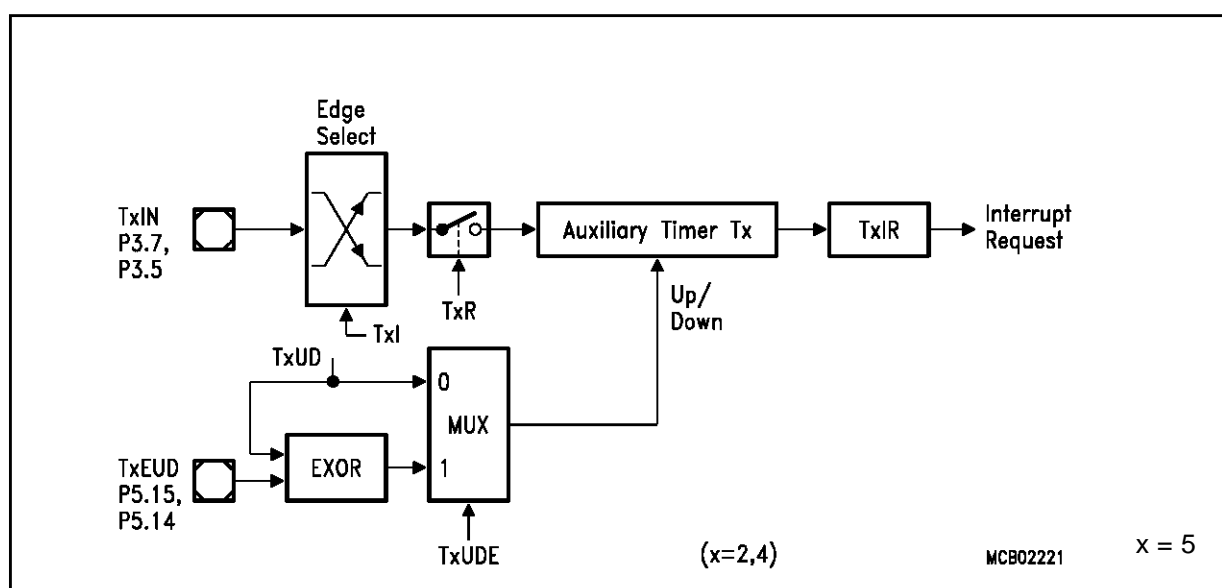
When the auxiliary timer T5 is programmed to timer mode or gated timer mode, its operation is the same as described for the core timer T6. The descriptions, figures and tables apply accordingly with one exception:

- There is no output toggle latch and no alternate output pin for T5.

Timer T5 in Counter Mode

Counter mode for the auxiliary timer T5 is selected by setting bit field T5M in register T5CON to '001b'. In counter mode timer T5 can be clocked either by a transition at the external input pin T5IN, or by a transition of timer T6's output toggle latch T6OTL.

Figure 5-16. Block Diagram of Auxiliary Timer T5 in Counter Mode



The event causing an increment or decrement of the timer can be a positive, a negative, or both a positive and a negative transition at either the input pin, or at the toggle latch T6OTL. Bit field T5I in control register T5CON selects the triggering transition (see table below).

Note: Only state transitions of T6OTL which are caused by the overflows/underflows of T6 will trigger the counter function of T5. Modifications of

T6OTL via software will NOT trigger the counter function of T5.

The maximum input frequency which is allowed in counter mode is $f_{CPU}/4$ (2.5 MHz @ $f_{CPU}=20$ MHz). To ensure that a transition of the count input signal which is applied to T5IN is correctly recognized, its level should be held high or low for at least $4 f_{PU}$ cycles before it changes.

8 - GENERAL PURPOSE TIMER UNITS (ST10R163)

TIMER BLOCK GPT1 (Cont'd)

Timer Concatenation

Using the toggle bit T6OTL as a clock source for the auxiliary timer in counter mode concatenates the core timer T6 with the auxiliary timer. Depending on which transition of T6OTL is selected to clock the auxiliary timer, this concatenation forms a 32-bit or a 33-bit timer / counter.

• **32-bit Timer/Counter:** If both a positive and a negative transition of T6OTL is used to clock the

auxiliary timer, this timer is clocked on every overflow/underflow of the core timer T6. Thus, the two timers form a 32-bit timer.

• **33-bit Timer/Counter:** If either a positive or a negative transition of T6OTL is selected to clock the auxiliary timer, this timer is clocked on every second overflow/underflow of the core timer T6. This configuration forms a 33-bit timer (16-bit core timer+T6OTL+16-bit auxiliary timer).

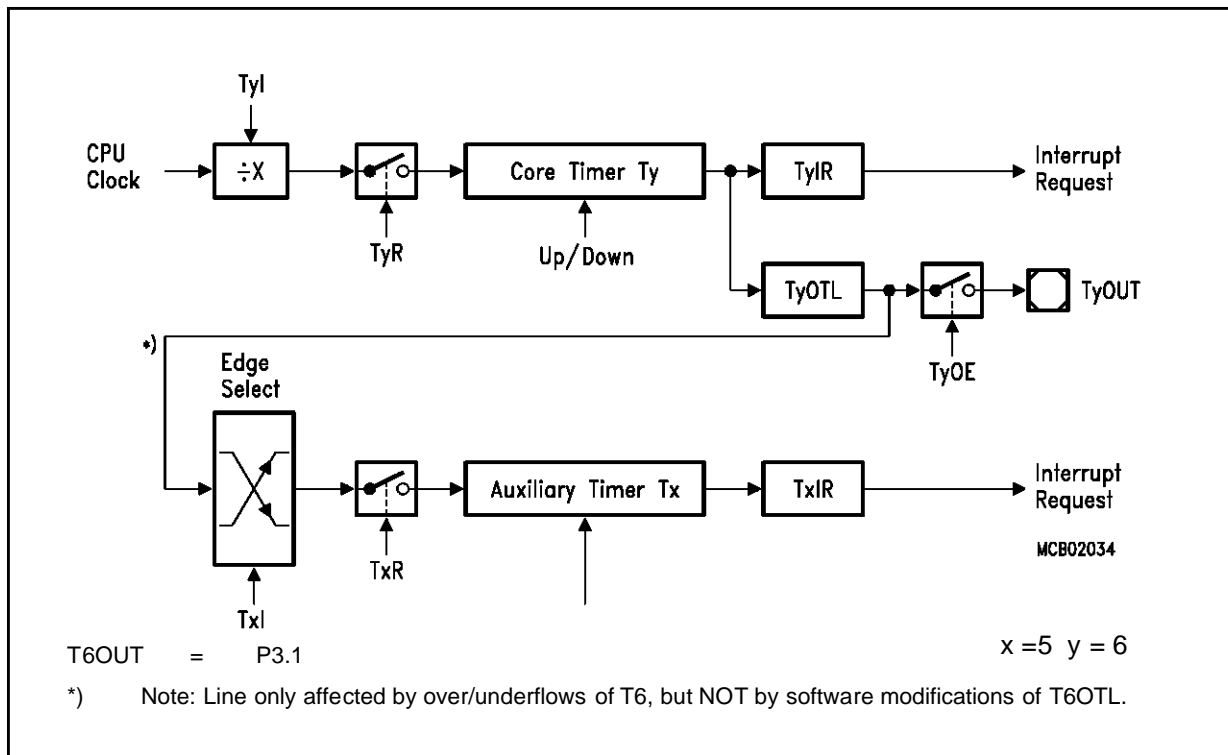
GPT2 Auxiliary Timer (Counter Mode) Input Edge Selection

T5I	Triggering Edge for Counter Increment / Decrement
X 0 0	None. Counter T5 is disabled
0 0 1	Positive transition (rising edge) on T5IN
0 1 0	Negative transition (falling edge) on T5IN
0 1 1	Any transition (rising or falling edge) on T5IN
1 0 1	Positive transition (rising edge) of output toggle latch T6OTL
1 1 0	Negative transition (falling edge) of output toggle latch T6OTL
1 1 1	Any transition (rising or falling edge) of output toggle latch T6OTL

The count directions of the two concatenated timers are not required to be the same. This offers a wide variety of different configurations.

T6 can operate in timer, gated timer or counter mode in this case.

Figure 5-17. Concatenation of Core Timer T6 and Auxiliary Timer T5



TIMER BLOCK GPT1 (Cont'd)

GPT2 Capture/Reload Register CAPREL in Capture Mode

This 16-bit register can be used as a capture register for the auxiliary timer T5. This mode is selected by setting bit T5SC='1' in control register T5CON. The source for a capture trigger is the external input pin CAPIN, which is an alternate input function of port pin P3.2. Either a positive, a negative, or both a positive and a negative transition at this pin can be selected to trigger the capture function. The active edge is controlled by bit field CI in register T5CON. The same coding is used as in the two least significant bits of bit field T5I (see table in counter mode section).

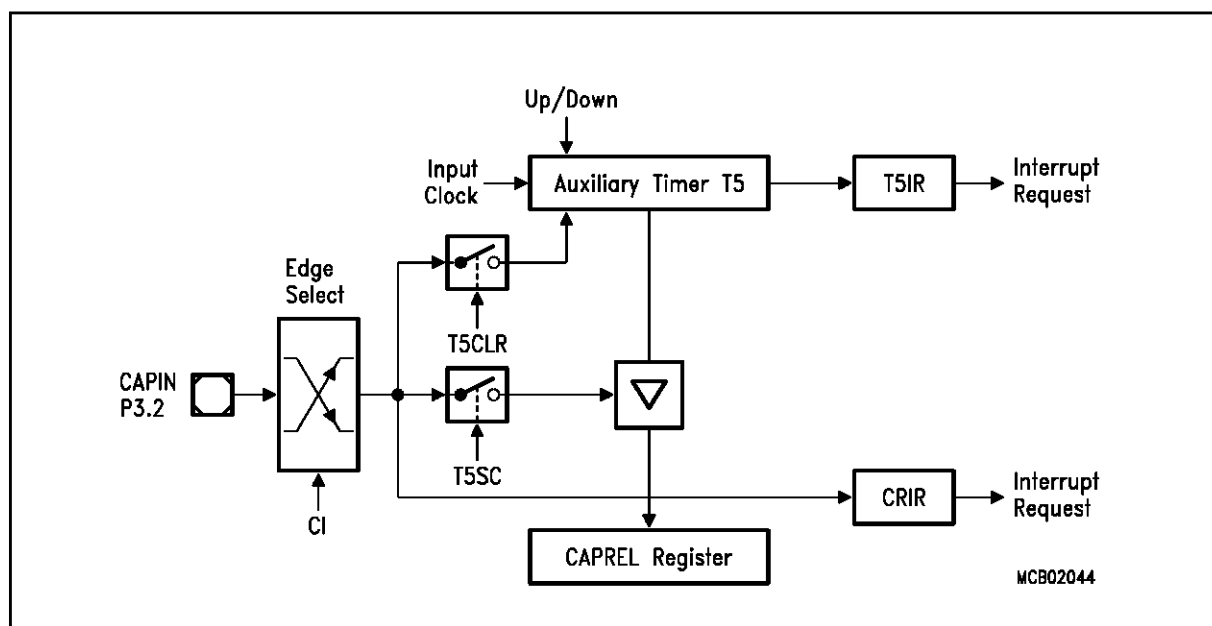
The maximum input frequency for the capture trigger signal at CAPIN is $f_{CPU}/4$ (2.5 MHz @ $f_{CPU}=20$ MHz). To ensure that a transition of the capture trigger signal is correctly recognized, its level

should be held for at least 4 f_{CPU} cycles before it changes.

When a selected transition at the external input pin CAPIN is detected, the contents of the auxiliary timer T5 are latched into register CAPREL, and interrupt request flag CRIR is set. With the same event, timer T5 can be cleared to 0000H. This option is controlled by bit T5CLR in register T5CON. If T5CLR='0', the contents of timer T5 are not affected by a capture. If T5CLR='1', timer T5 is cleared after the current timer value has been latched into register CAPREL.

Bit T5SC only controls whether a capture is performed or not. If T5SC='0', the input pin CAPIN can still be used to clear timer T5 or as an external interrupt input. This interrupt is controlled by the CAPREL interrupt control register CRIC.

Figure 5-18. GPT2 Register CAPREL in Capture Mode



8 - GENERAL PURPOSE TIMER UNITS (ST10R163)

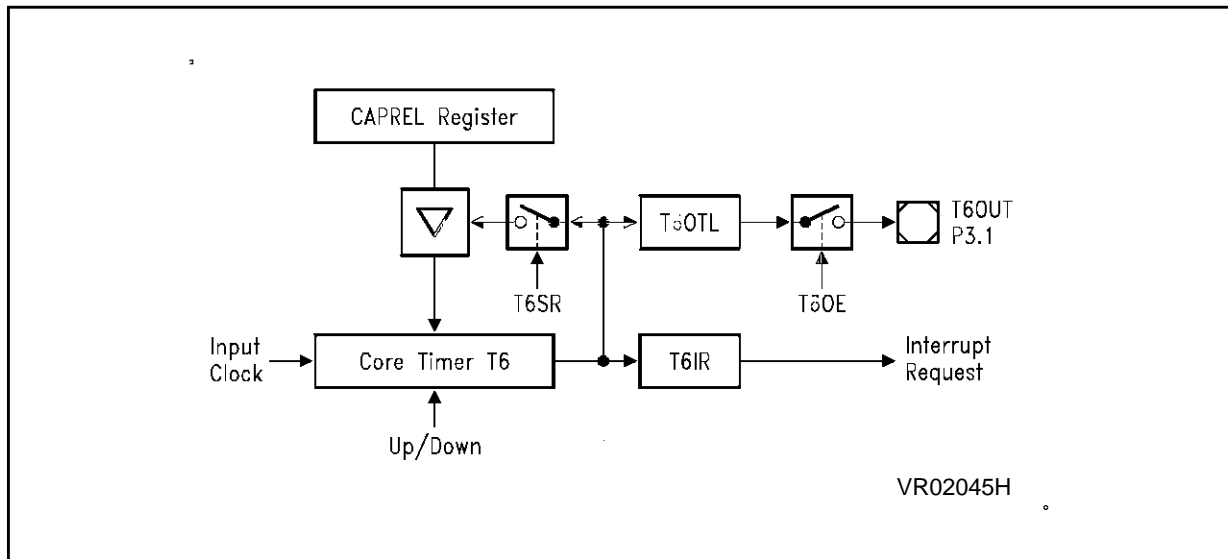
TIMER BLOCK GPT1 (Cont'd)

GPT2 Capture/Reload Register CAPREL in Reload Mode

This 16-bit register can be used as a reload register for the core timer T6. This mode is selected by setting bit T6SR='1' in register T6CON. The event causing a reload in this mode is an overflow or underflow of the core timer T6.

When timer T6 overflows from FFFFh to 0000h (when counting up) or when it underflows from 0000h to FFFFh (when counting down), the value stored in register CAPREL is loaded into timer T6. This will not set the interrupt request flag CRIR associated with the CAPREL register. However, interrupt request flag T6IR will be set indicating the overflow/underflow of T6.

Figure 5-19. GPT2 Register CAPREL in Reload Mode



TIMER BLOCK GPT1 (Cont'd)

GPT2 Capture/Reload Register CAPREL in Capture-And-Reload Mode

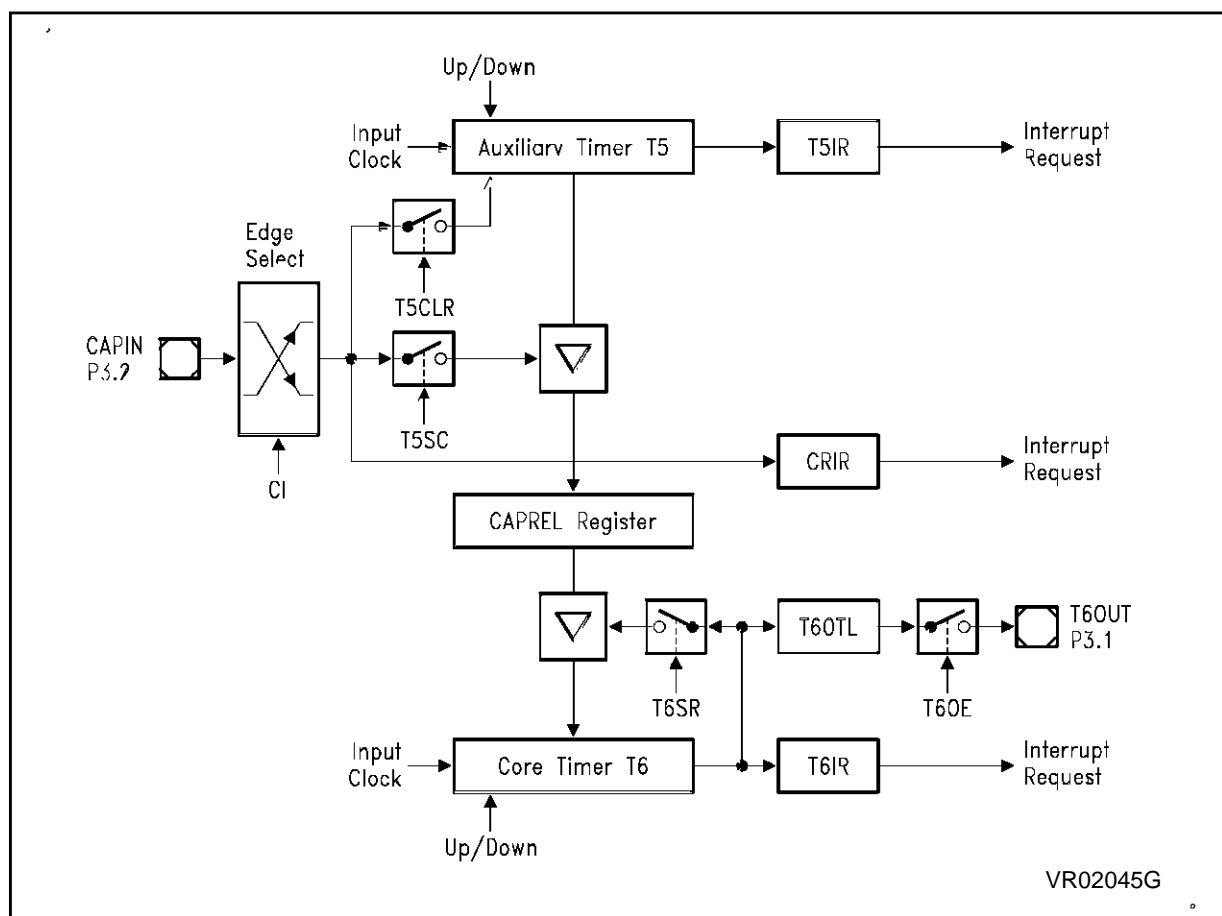
Since the reload function and the capture function of register CAPREL can be enabled individually by bits T5SC and T6SR, the two functions can be enabled simultaneously by setting both bits. This feature can be used to generate an output frequency that is a multiple of the input frequency.

This combined mode can be used to detect consecutive external events which may occur aperiodically, but where a finer resolution, that means, more 'ticks' within the time between two external events is required.

For this purpose, the time between the external events is measured using timer T5 and the CAPREL register. Timer T5 runs in timer mode counting up with a frequency of eg. $f_{CPU}/32$. The external events are applied to pin CAPIN. When an external event occurs, the timer T5 contents

are latched into register CAPREL, and timer T5 is cleared ($T5CLR=1$). Thus, register CAPREL always contains the correct time between two events, measured in timer T5 increments. Timer T6, which runs in timer mode counting down with a frequency of eg. $f_{CPU}/4$, uses the value in register CAPREL to perform a reload on underflow. This means, the value in register CAPREL represents the time between two underflows of timer T6, now measured in timer T6 increments. Since timer T6 runs 8 times faster than timer T5, it will underflow 8 times within the time between two external events. Thus, the underflow signal of timer T6 generates 8 'ticks'. Upon each underflow, the interrupt request flag T6IR will be set and bit T6OTL will be toggled. The state of T6OTL may be output on pin T6OUT. This signal has 8 times more transitions than the signal which is applied to pin CAPIN.

Figure 5-20. GPT2 Register CAPREL in Capture-And-Reload Mode



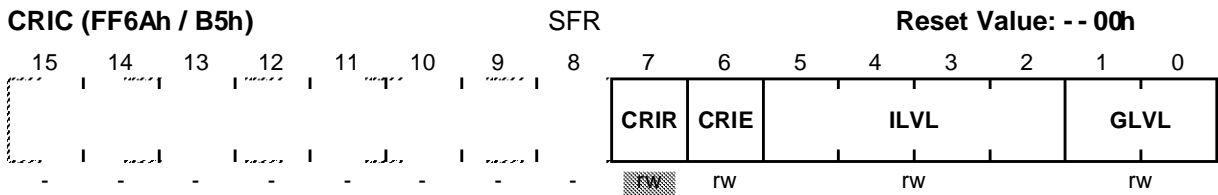
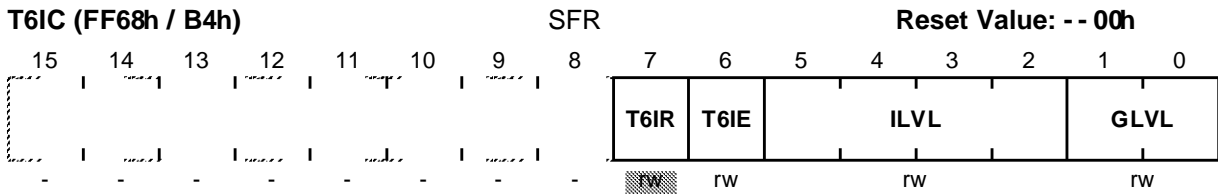
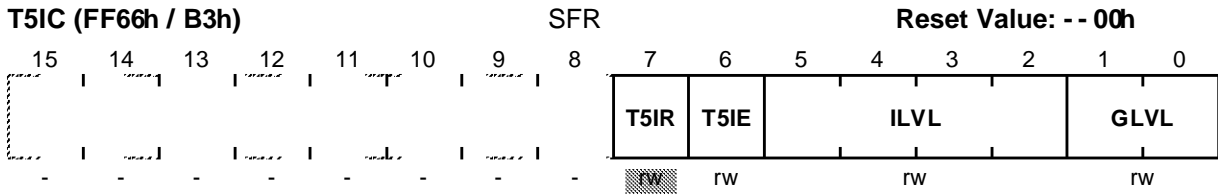
8 - GENERAL PURPOSE TIMER UNITS (ST10R163)

TIMER BLOCK GPT1 (Cont'd)

8.2.3 Interrupt Control for GPT2 Timers and CAPREL

When a timer overflows from FFFFh to 0000h (when counting up), or when it underflows from 0000h to FFFFh (when counting down), its interrupt request flag (T5IR or T6IR) in register TxIC will be set. Whenever a transition according to the selection in bit field CI is detected at pin CAPIN,

interrupt request flag CRIR in register CRIC is set. Setting any request flag will cause an interrupt to the respective timer or CAPREL interrupt vector (T5INT, T6INT or CRINT) or trigger a PEC service, if the respective interrupt enable bit (T5IE or T6IE in register TxIC, CRIE in register CRIC) is set. There is an interrupt control register for each of the two timers and for the CAPREL register.



Note: Please refer to the general Interrupt Control Register description for an explanation of the control fields.

9 - ASYNCHRONOUS/SYNCHRONOUS SERIAL INTERFACE

The Asynchronous/Synchronous Serial Interface ASC0 provides serial communication between the ST10R163 and other microcontrollers, microprocessors or external peripherals.

The ASC0 supports full-duplex asynchronous communication up to 625 KBaud and half-duplex synchronous communication up to 2.5 MBaud (@ 20 MHz CPU clock). In synchronous mode, data are transmitted or received synchronous to a shift clock which is generated by the ST10R163. In asynchronous mode, 8- or 9-bit data transfer, parity generation, and the number of stop bits can be selected. Parity, framing, and overrun error detection is provided to increase the reliability of data transfers. Transmission and reception of data is double-buffered. For multiprocessor communication, a mechanism to distinguish address from data bytes is included. Testing is supported by a loop-back option. A 13-bit baud rate generator provides the ASC0 with a separate serial clock signal.

The operating mode of the serial channel ASC0 is controlled by its bitaddressable control register S0CON. This register contains control bits for mode and error check selection, and status flags for error identification.

A transmission is started by writing to the (write-only) Transmit Buffer register S0TBUF (via an instruction or a PEC data transfer). Only the number of data bits which is determined by the selected operating mode will actually be transmitted, ie. bits written to positions 9 through 15 of register S0TBUF are always insignificant. After a transmission has been completed, the transmit buffer register is cleared to 0000h.

Data transmission is double-buffered, so a new character may be written to the transmit buffer register, before the transmission of the previous

character is complete. This allows to send characters back-to-back without gaps.

Data reception is enabled by the Receiver Enable Bit S0REN. After reception of a character has been completed, the received data and, if provided by the selected operating mode, the received parity bit can be read from the (read-only) Receive Buffer register S0RBUF. Bits in the upper half of S0RBUF which are not valid in the selected operating mode will be read as zeros.

Data reception is double-buffered, so that reception of a second character may already begin before the previously received character has been read out of the receive buffer register. In all modes, receive buffer overrun error detection can be selected through bit S0OEN. When enabled, the overrun error status flag S0OE and the error interrupt request flag S0EIR will be set when the receive buffer register has not been read by the time reception of a second character is complete. The previously received character in the receive buffer is overwritten.

The Loop-Back option (selected by bit S0LB) allows to simultaneously receive the data currently being transmitted. This may be used to test serial communication routines at an early stage without having to provide an external network. In loop-back mode the alternate input/output functions of the Port 3 pins are not necessary.

Note: Serial data transmission or reception is only possible when the Baud Rate Generator Run Bit S0R is set to '1'. Otherwise the serial interface is idle.

Do not program the mode control field S0M in register S0CON to one of the reserved combinations to avoid unpredictable behaviour of the serial interface.

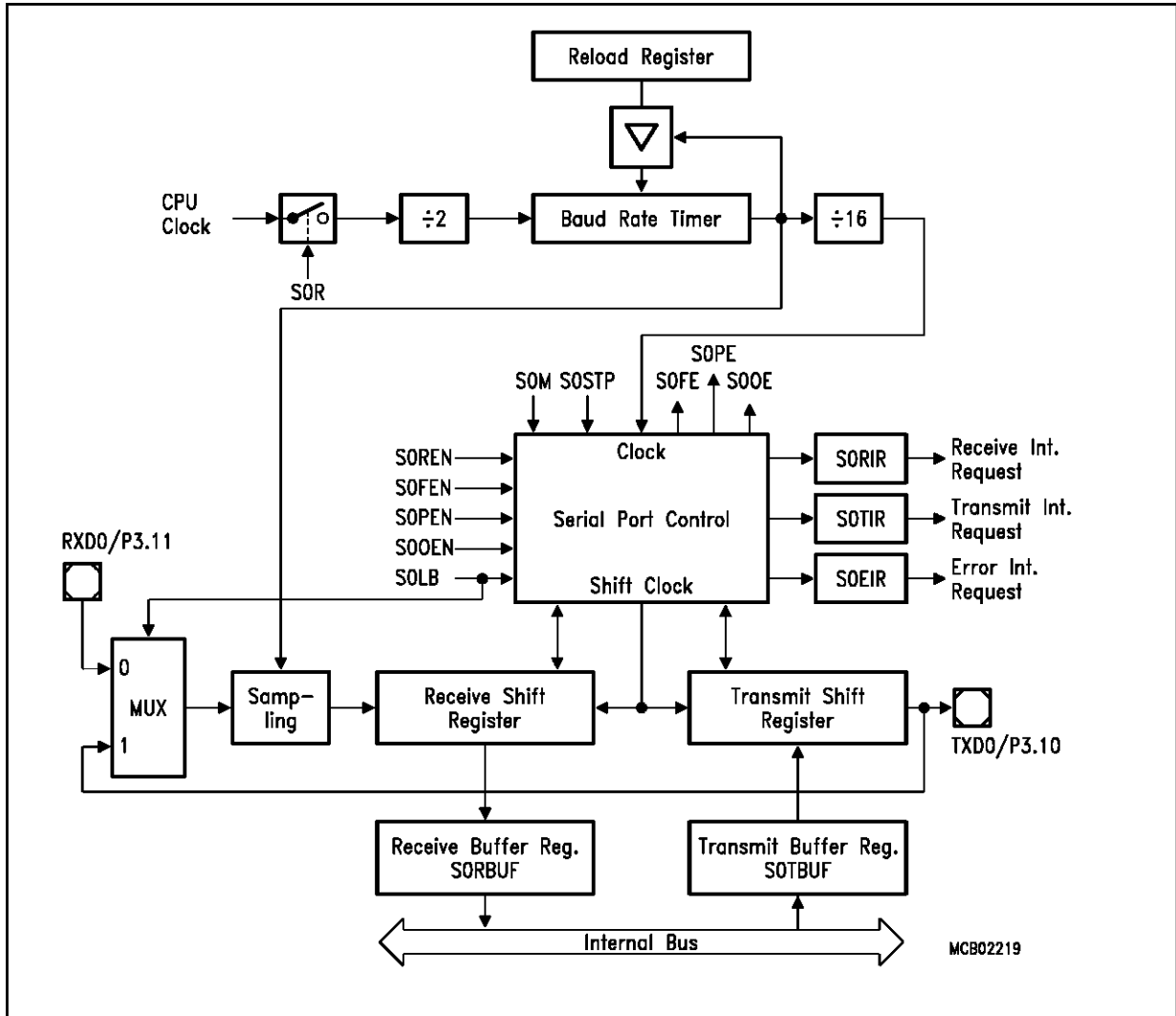
S0CON (FFB0h / D8h)					SFR					Reset Value: 0000h					
15	14	13	12	11	10	9	8	7	6	5	4	3	2	1	0
S0R	S0LB	S0 BRS	S0 ODD	-	S0OE	S0FE	S0PE	S0 OEN	S0 FEN	S0 PEN	S0 REN	S0 STP	S0M		
rw	rw	rw	rw	-	rw	rw	rw	rw	rw	rw	rw	rw	rw	rw	rw

9.1 ASYNCHRONOUS OPERATION

Asynchronous mode supports full-duplex communication, where both transmitter and receiver use the same data frame format and the same baud

rate. Data is transmitted on pin TXD0/P3.10 and received on pin RXD0/P3.11. These signals are alternate functions of Port 3 pins.

Figure 6-1. Asynchronous Mode of Serial Channel ASC0



ASYNCHRONOUS OPERATION(Cont'd)

Asynchronous Data Frames

8-bit data frames either consist of 8 data bits D7...D0 (S0M='001b'), or of 7 data bits D6...D0 plus an automatically generated parity bit (S0M='011b'). Parity may be odd or even, depending on bit S0ODD in register S0CON. An even parity bit will be set, if the modulo-2-sum of the 7 data bits is '1'. An odd parity bit will be cleared in this case. Parity checking is enabled via bit S0PEN (always OFF in 8-bit data mode). The parity error flag S0PE will be set along with the error interrupt request flag, if a wrong parity bit is received. The parity bit itself will be stored in bit S0RBUF.7.

9-bit data frames either consist of 9 data bits D8...D0 (S0M='100b'), of 8 data bits D7...D0 plus an automatically generated parity bit (S0M='111b') or of 8 data bits D7...D0 plus wake-up bit (S0M='101b'). Parity may be odd or even, depending on bit S0ODD in register S0CON. An even parity bit will be set, if the modulo-2-sum of the 8 data bits is '1'. An odd parity bit will be cleared in this case. Parity checking is enabled via bit S0PEN (always OFF in 9-bit data and wake-up mode). The parity error flag S0PE will be set along with the error interrupt request flag, if a wrong par-

ity bit is received. The parity bit itself will be stored in bit S0RBUF.8.

In wake-up mode received frames are only transferred to the receive buffer register, if the 9th bit (the wake-up bit) is '1'. If this bit is '0', no receive interrupt request will be activated and no data will be transferred.

This feature may be used to control communication in multi-processor system:

When the master processor wants to transmit a block of data to one of several slaves, it first sends out an address byte which identifies the target slave. An address byte differs from a data byte in that the additional 9th bit is a '1' for an address byte and a '0' for a data byte, so no slave will be interrupted by a data 'byte'. An address 'byte' will interrupt all slaves (operating in 8-bit data + wake-up bit mode), so each slave can examine the 8 LSBs of the received character (the address). The addressed slave will switch to 9-bit data mode (eg. by clearing bit S0M.0), which enables it to also receive the data bytes that will be coming (having the wake-up bit cleared). The slaves that were not being addressed remain in 8-bit data + wake-up bit mode, ignoring the following data bytes.

Figure 6-2. Asynchronous 8-bit Data Frames

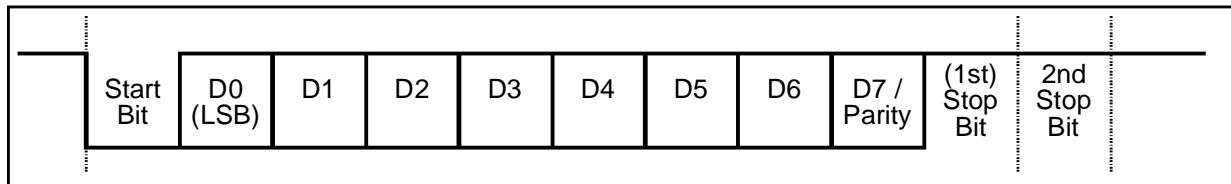
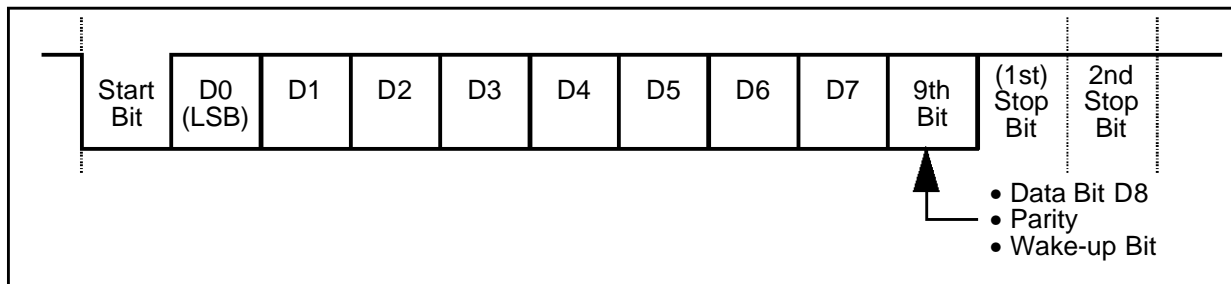


Figure 6-3. Asynchronous 9-bit Data Frames



ASYNCHRONOUS OPERATION(Cont'd)

Asynchronous transmission begins at the next overflow of the divide-by-16 counter (see figure above), provided that S0R is set and data has been loaded into S0TBUF. The transmitted data frame consists of three basic elements:

- the start bit
- the data field (8 or 9 bits, LSB first, including a parity bit, if selected)
- the delimiter (1 or 2 stop bits)

Data transmission is double buffered. When the transmitter is idle, the transmit data loaded into S0TBUF is immediately moved to the transmit shift register thus freeing S0TBUF for the next data to be sent. This is indicated by the transmit buffer interrupt request flag S0TBIR being set. S0TBUF may now be loaded with the next data, while transmission of the previous one is still going on.

The transmit interrupt request flag S0TIR will be set before the last bit of a frame is transmitted, ie. before the first or the second stop bit is shifted out of the transmit shift register.

The transmitter output pin TXD0/P3.10 must be configured for alternate data output, ie. P3.10='1' and DP3.10='1'.

Asynchronous reception is initiated by a falling edge (1-to-0 transition) on pin RXD0, provided that bits S0R and S0REN are set. The receive data input pin RXD0 is sampled at 16 times the rate of the selected baud rate. A majority decision of the 7th, 8th and 9th sample determines the ef-

fective bit value. This avoids erroneous results that may be caused by noise.

If the detected value is not a '0' when the start bit is sampled, the receive circuit is reset and waits for the next 1-to-0 transition at pin RXD0. If the start bit proves valid, the receive circuit continues sampling and shifts the incoming data frame into the receive shift register.

When the last stop bit has been received, the content of the receive shift register is transferred to the receive data buffer register S0RBUF. Simultaneously, the receive interrupt request flag S0RIR is set after the 9th sample in the last stop bit time slot (as programmed), regardless whether valid stop bits have been received or not. The receive circuit then waits for the next start bit (1-to-0 transition) at the receive data input pin.

The receiver input pin RXD0/P3.11 must be configured for input, ie. DP3.11='0'.

Asynchronous reception is stopped by clearing bit S0REN. A currently received frame is completed including the generation of the receive interrupt request and an error interrupt request, if appropriate. Start bits that follow this frame will not be recognized.

Note: In wake-up mode received frames are only transferred to the receive buffer register, if the 9th bit (the wake-up bit) is '1'. If this bit is '0', no receive interrupt request will be activated and no data will be transferred.

9 - ASYNCHRONOUS/SYNCHRONOUS SERIAL INTERFACE (ST10R163)

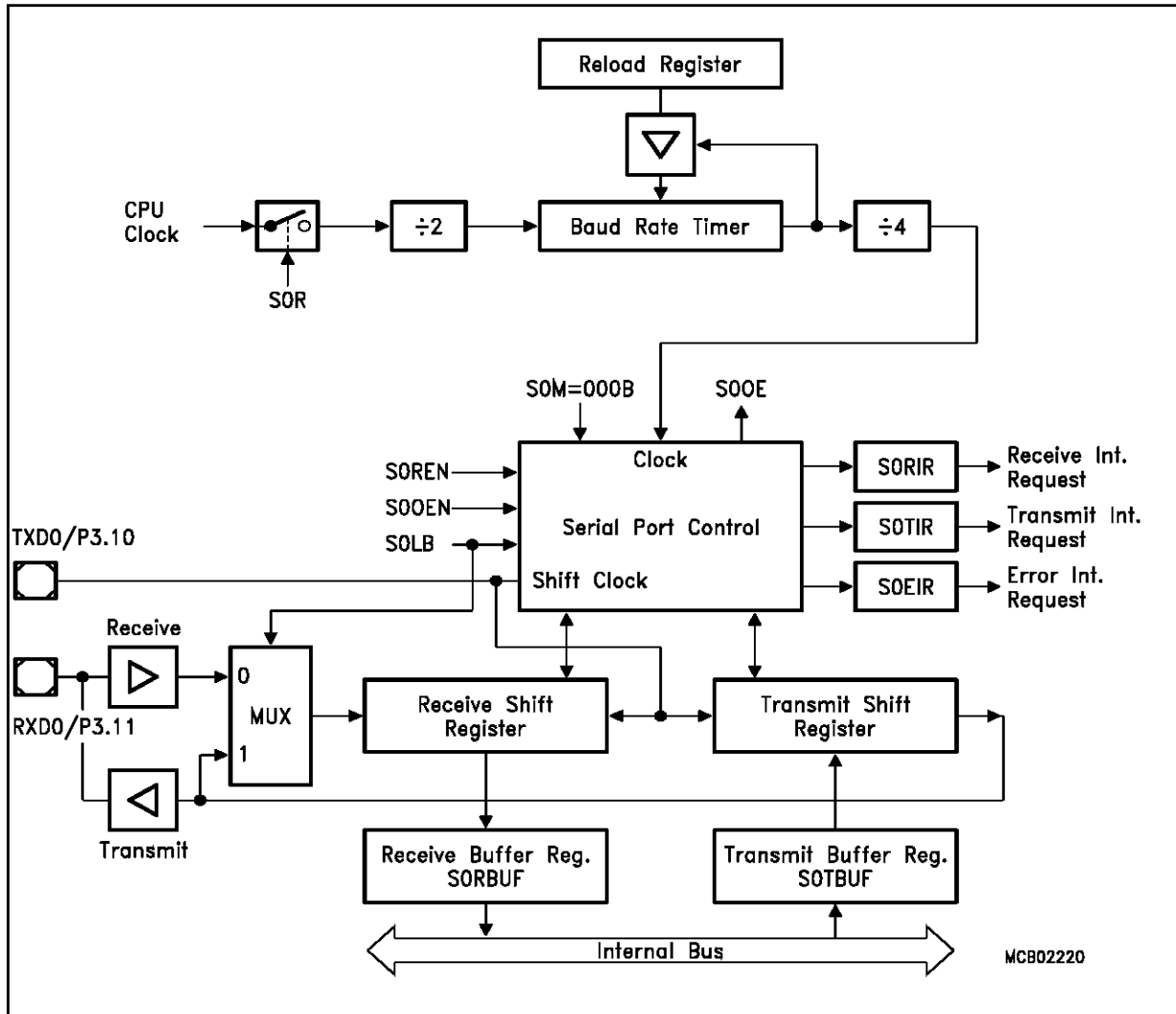
9.2 SYNCHRONOUS OPERATION

Synchronous mode supports half-duplex communication, basically for simple IO expansion via shift registers. Data is transmitted and received via pin RXD0/P3.11, while pin TXD0/P3.10 outputs the shift clock. These signals are alternate functions

of Port 3 pins. Synchronous mode is selected with SOM='000b'.

8 data bits are transmitted or received synchronous to a shift clock generated by the internal baud rate generator. The shift clock is only active as long as data bits are transmitted or received.

Figure 6-4. Synchronous Mode of Serial Channel ASC0



SYNCHRONOUS OPERATION (Cont'd)

Synchronous transmission begins within 4 state times after data has been loaded into S0TBUF, provided that S0R is set and S0REN='0' (half-duplex, no reception). Data transmission is double buffered. When the transmitter is idle, the transmit data loaded into S0TBUF is immediately moved to the transmit shift register thus freeing S0TBUF for the next data to be sent. This is indicated by the transmit buffer interrupt request flag S0TBIR being set. S0TBUF may now be loaded with the next data, while transmission of the previous one is still going on. The data bits are transmitted synchronous with the shift clock. After the bit time for the 8th data bit, both pins TXD0 and RXD0 will go high, the transmit interrupt request flag S0TIR is set, and serial data transmission stops.

Pin TXD0/P3.10 must be configured for alternate data output, ie. P3.10='1' and DP3.10='1', in order to provide the shift clock. Pin RXD0/P3.11 must also be configured for output (P3.11='1' and DP3.11='1') during transmission.

Synchronous reception is initiated by setting bit S0REN='1'. If bit S0R=1, the data applied at pin RXD0 are clocked into the receive shift register synchronous to the clock which is output at pin TXD0. After the 8th bit has been shifted in, the content of the receive shift register is transferred to the receive data buffer S0RBUF, the receive interrupt request flag S0RIR is set, the receiver enable bit S0REN is reset, and serial data reception stops.

Pin TXD0/P3.10 must be configured for alternate data output, ie. P3.10='1' and DP3.10='1', in order to provide the shift clock. Pin RXD0/P3.11 must be configured as alternate data input (DP3.11='0').

Synchronous reception is stopped by clearing bit S0REN. A currently received byte is completed including the generation of the receive interrupt request and an error interrupt request, if appropriate. Writing to the transmit buffer register while a reception is in progress has no effect on reception and will not start a transmission.

If a previously received byte has not been read out of the receive buffer register at the time the reception of the next byte is complete, both the error interrupt request flag S0EIR and the overrun error status flag S0OE will be set, provided the overrun check has been enabled by bit S0OEN.

9.3 HARDWARE ERROR DETECTION CAPABILITIES

To improve the safety of serial data exchange, the serial channel ASC0 provides an error interrupt request flag, which indicates the presence of an error, and three (selectable) error status flags in register S0CON, which indicate which error has been detected during reception. Upon completion of a reception, the error interrupt request flag S0EIR will be set simultaneously with the receive interrupt request flag S0RIR, if one or more of the following conditions are met:

- If the framing error detection enable bit S0FEN is set and any of the expected stop bits is not high, the framing error flag S0FE is set, indicating that the error interrupt request is due to a framing error (Asynchronous mode only).
- If the parity error detection enable bit S0PEN is set in the modes where a parity bit is received, and the parity check on the received data bits proves false, the parity error flag S0PE is set, indicating that the error interrupt request is due to a parity error (Asynchronous mode only).
- If the overrun error detection enable bit S0OEN is set and the last character received was not read out of the receive buffer by software or PEC transfer at the time the reception of a new frame is complete, the overrun error flag S0OE is set indicating that the error interrupt request is due to an overrun error (Asynchronous and synchronous mode).

9.4 ASC0 BAUD RATE GENERATION

The serial channel ASC0 has its own dedicated 13-bit baud rate generator with 13-bit reload capability, allowing baud rate generation independent from the timers.

The baud rate generator is clocked with the CPU clock divided by 2 (10 MHz @ 20 MHz CPU clock). The timer is counting downwards and can be started or stopped through the Baud Rate Generator Run Bit S0R in register S0CON. Each underflow of the timer provides one clock pulse to the serial channel. The timer is reloaded with the value stored in its 13-bit reload register each time it underflows. The resulting clock is again divided according to the operating mode and controlled by the Baudrate Selection Bit S0BRS. If S0BRS='1', the clock signal is additionally divided to 2/3rd of its frequency (see formulas and table). So the baud rate of ASC0 is determined by the CPU clock, the reload value, the value of S0BRS and the operating mode (asynchronous or synchronous).

Register S0BG is the dual-function Baud Rate Generator/Reload register. Reading S0BG returns the content of the timer (bits 15...13 return zero), while writing to S0BG always updates the reload register (bits 15...13 are insignificant).

An auto-reload of the timer with the content of the reload register is performed each time S0BG is written to. However, if S0R='0' at the time the write operation to S0BG is performed, the timer will not

be reloaded until the first instruction cycle after S0R='1'.

Asynchronous Mode Baud Rates

For asynchronous operation, the baud rate generator provides a clock with 16 times the rate of the established baud rate. Every received bit is sampled at the 7th, 8th and 9th cycle of this clock. The baud rate for asynchronous operation of serial channel ASC0 and the required reload value for a given baudrate can be determined by the following formulas:

$$B_{\text{Async}} = \frac{f_{\text{CPU}}}{(32 + 16 * \langle \text{S0BRS} \rangle) * (\langle \text{S0BRL} \rangle + 1)}$$

$$\text{S0BRL} = \left(\frac{f_{\text{CPU}}}{(32 + 16 * \langle \text{S0BRS} \rangle) * B_{\text{Async}}} \right) - 1$$

<S0BRL> represents the content of the reload register, taken as unsigned 13-bit integer, <S0BRS> represents the value of bit S0BRS (ie. '0' or '1'), taken as integer.

The maximum baud rate that can be achieved for the asynchronous modes when using a CPU clock of 20 MHz is 625 KBaud. The table below lists various commonly used baud rates together with the required reload values and the deviation errors compared to the intended baudrate.

ASC0 BAUD RATE GENERATION (Cont'd)

Synchronous Mode Baud Rates

For synchronous operation, the baud rate generator provides a clock with 4 times the rate of the established baud rate. The baud rate for synchronous operation of serial channel ASC0 can be determined by the following formula:

$$B_{\text{Sync}} = \frac{f_{\text{CPU}}}{(8 + 4 \cdot \langle \text{S0BRS} \rangle) \cdot (\langle \text{S0BRL} \rangle + 1)}$$

$$\text{S0BRL} = \left(\frac{f_{\text{CPU}}}{(8 + 4 \cdot \langle \text{S0BRS} \rangle) \cdot B_{\text{Sync}}} \right) - 1$$

$\langle \text{S0BRL} \rangle$ represents the content of the reload register, taken as unsigned 13-bit integers,
 $\langle \text{S0BRS} \rangle$ represents the value of bit S0BRS (ie. '0' or '1'), taken as integer.

The maximum baud rate that can be achieved in synchronous mode when using a CPU clock of 20 MHz is 2.5 MBaud.

Baud Rate	S0BRS = '0', f _{CPU} = 20 MHz		S0BRS = '1', f _{CPU} = 20 MHz	
	Deviation Error	Reload Value	Deviation Error	Reload Value
625 KBaud	±0.0 %	0000h	---	---
19.2 KBaud	+1.7 % / -1.4 %	001Fh / 0020h	+3.3 % / -1.4 %	0014h / 0015h
9600 Baud	+0.2 % / -1.4 %	0040h / 0041h	+1.0 % / -1.4 %	002Ah / 002Bh
4800 Baud	+0.2 % / -0.6 %	0081h / 0082h	+1.0 % / -0.2 %	0055h / 0056h
2400 Baud	+0.2 % / -0.2 %	0103h / 0104h	+0.4 % / -0.2 %	00ACh / 00ADh
1200 Baud	+0.2 % / -0.4 %	0207h / 0208h	+0.1 % / -0.2 %	015Ah / 015Bh
600 Baud	+0.1 % / -0.0 %	0410h / 0411h	+0.1 % / -0.1 %	02B5h / 02B6h
75 Baud	+1.7 %	1FFFh	+0.0 % / -0.0 %	15B2h / 15B3h

Note: The deviation errors given in the table above are rounded.
 Using a baudrate crystal (resulting in a CPU clock of eg. 18.432 MHz) provides correct baudrates without deviation errors.

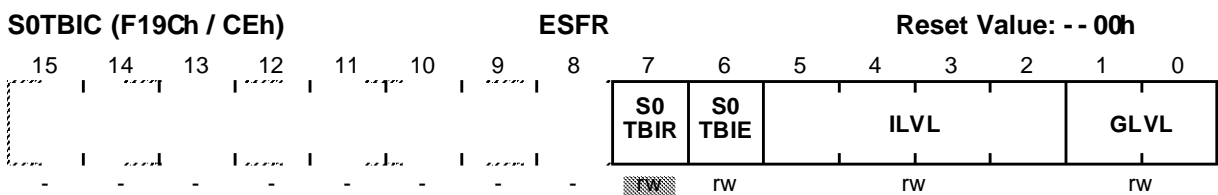
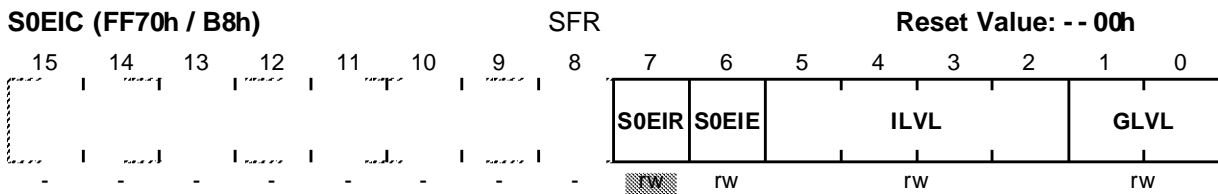
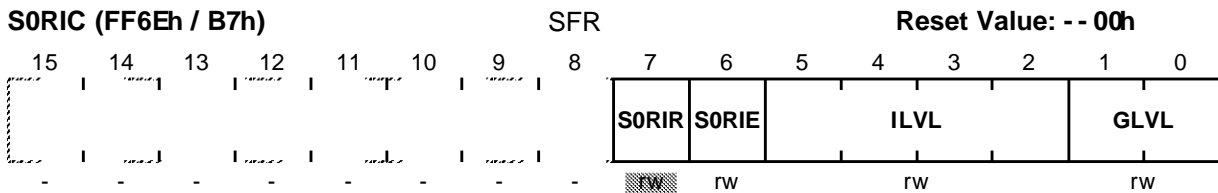
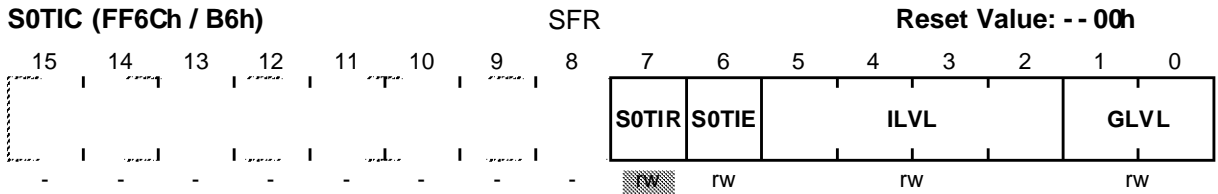
9 - ASYNCHRONOUS/SYNCHRONOUS SERIAL INTERFACE (ST10R163)

9.5 ASC0 INTERRUPT CONTROL

Four bit addressable interrupt control registers are provided for serial channel ASC0. Register S0TIC controls the transmit interrupt, S0TBIC controls the transmit buffer interrupt, S0RIC controls the receive interrupt and S0EIC controls the error interrupt of serial channel ASC0. Each interrupt source also has its own dedicated interrupt vector. S0TINT is the transmit interrupt vector, S0TBINT is the transmit interrupt vector, S0RINT is the receive interrupt vector, and S0EINT is the error interrupt vector.

The cause of an error interrupt request (framing, parity, overrun error) can be identified by the error status flags in control register S0CON.

Note: In contrary to the error interrupt request flag S0EIR, the error status flags S0FE/S0PE/S0OE are not reset automatically upon entry into the error interrupt service routine, but must be cleared by software.



Note: Please refer to the general Interrupt Control Register description for an explanation of the control fields.

ASC0 INTERRUPT CONTROL(Cont'd)

Using the ASC0 Interrupts

For normal operation (ie. besides the error interrupt) the ASC0 provides three interrupt requests to control data exchange via this serial channel:

- S0TBIR is activated when data is moved from S0TBUF to the transmit shift register.
- S0TIR is activated before the last bit of an asynchronous frame is transmitted, or
- after the last bit of a synchronous frame has been transmitted.
- S0RIR is activated when the received frame is moved to S0RBUF.

While the task of the receive interrupt handler is quite clear, the transmitter is serviced by two interrupt handlers. This provides advantages for the servicing software.

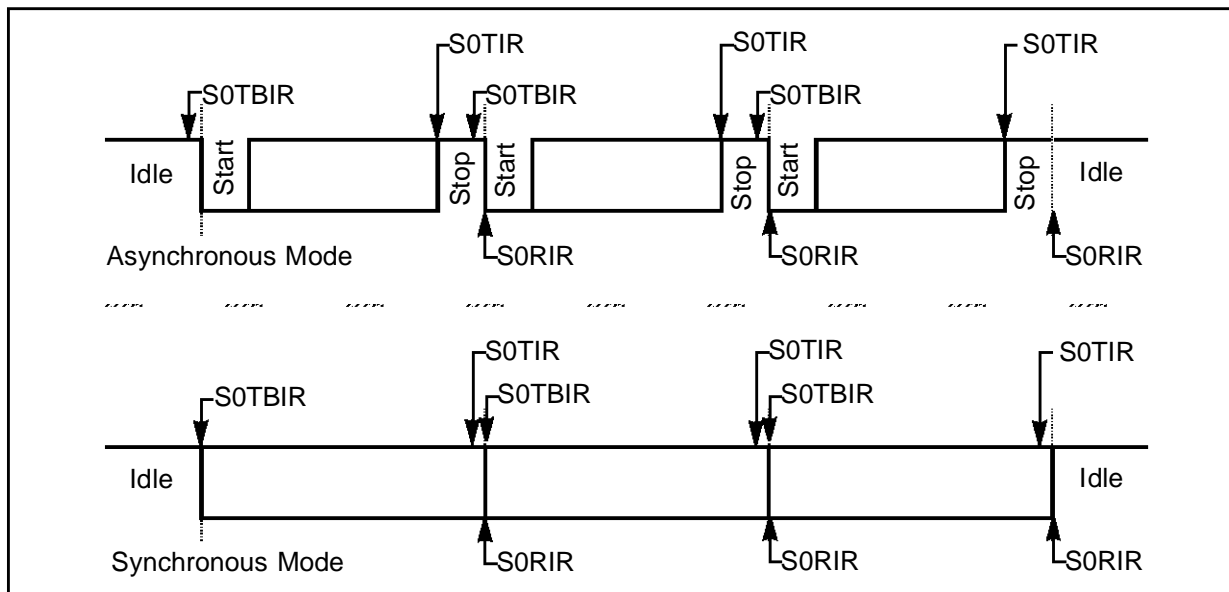
For single transfers it is sufficient to use the transmitter interrupt (S0TIR), which indicates that the previously loaded data has been transmitted, except for the last bit of an asynchronous frame.

For multiple back-to-back transfers it is necessary to load the following data at least until the time the last bit of the previous frame is being transmitted. In asynchronous mode this leaves just one bit-time for the handler to respond to the transmitter interrupt request, in synchronous mode it is not possible at all.

Using the transmit buffer interrupt (S0TBIR) to reload transmit data allows the time to transmit a complete frame for the service routine, as S0TBUF may be reloaded while the previous data is still being transmitted.

As shown in the figure below, S0TBIR is an early trigger for the reload routine, while S0TIR indicates the completed transmission. Software using handshake therefore should rely on S0TIR at the end of a data block to make sure that all data has really been transmitted.

Figure 6-5. ASC0 Interrupt Generation



9 - ASYNCHRONOUS/SYNCHRONOUS SERIAL INTERFACE (ST10R163)

Notes:

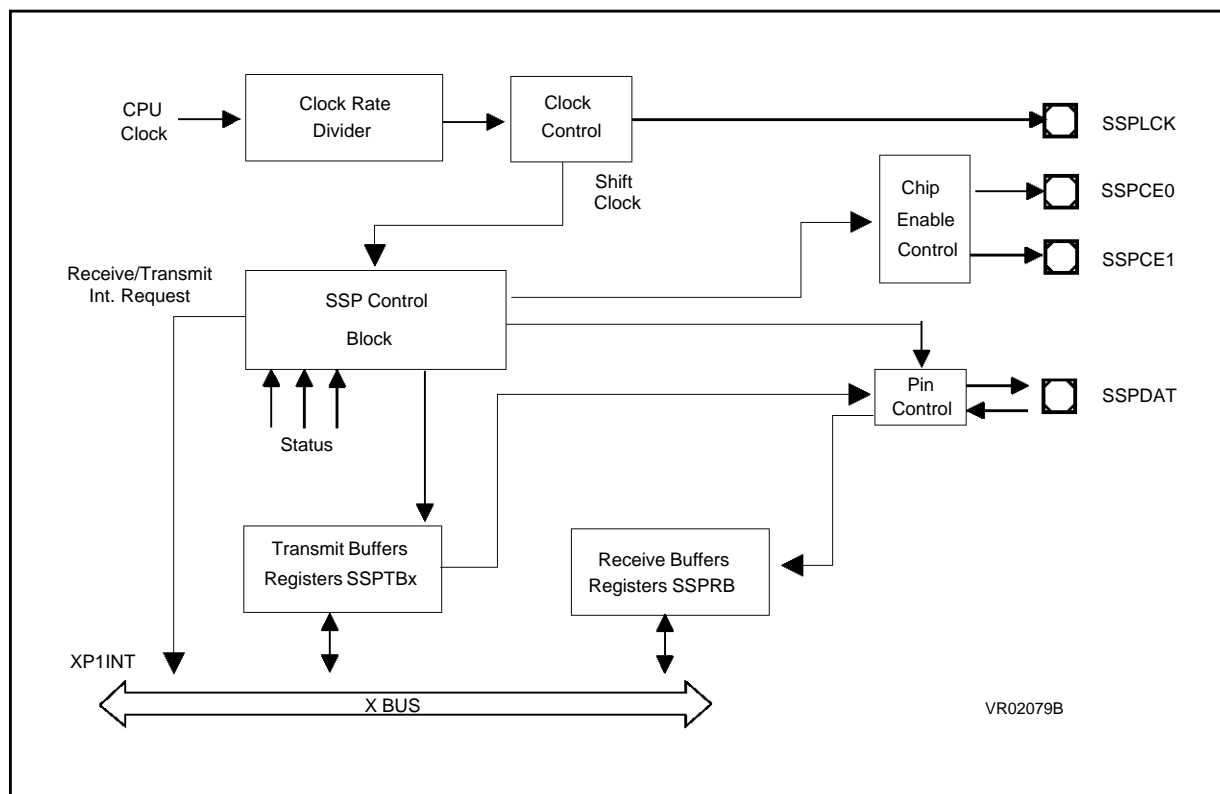
10 - SYNCHRONOUS SERIAL PORT

The Synchronous Serial Port SSP provides high-speed serial communication with external slave devices such as EEPROM via a three-wire interface similar to the SPI protocol. The interface lines are:

- SSPCLK** Serial clock output. Driven by the ST10R163 (master) to the peripheral (slave) which is selected for transfer.
- SSPDAT** Bi-directional serial data line. Data is transferred between the ST10R163 and the peripheral at up to 10 MBit/s.
- SSPCE0,1** Serial peripheral chip enable signals 0 and 1. These signals select one of the slaves connected to the SSP for transfer.

The SSP can be programmed to send command, address or data information to a peripheral device (write operation) or receive data from a peripheral (read operation). For a write operation, the SSP can send up to three bytes (24 bits) to a peripheral. For a read operation, the SSP can first send up to three bytes to a peripheral before receiving one byte from the peripheral. In addition, a continuous mode is provided which allows to continuously send data to the selected peripheral or continuously receive data from the selected peripheral, without deselecting the peripheral between the single transfers. With this feature, reading for example EEPROM devices is simplified such that after the initial command and address transfer from the master to the peripheral, data bytes can be read from the peripheral one after the other.

Figure 7-1. Synchronous Serial Port SSP Block Diagram



10 - SYNCHRONOUS SERIAL PORT (ST10R163)

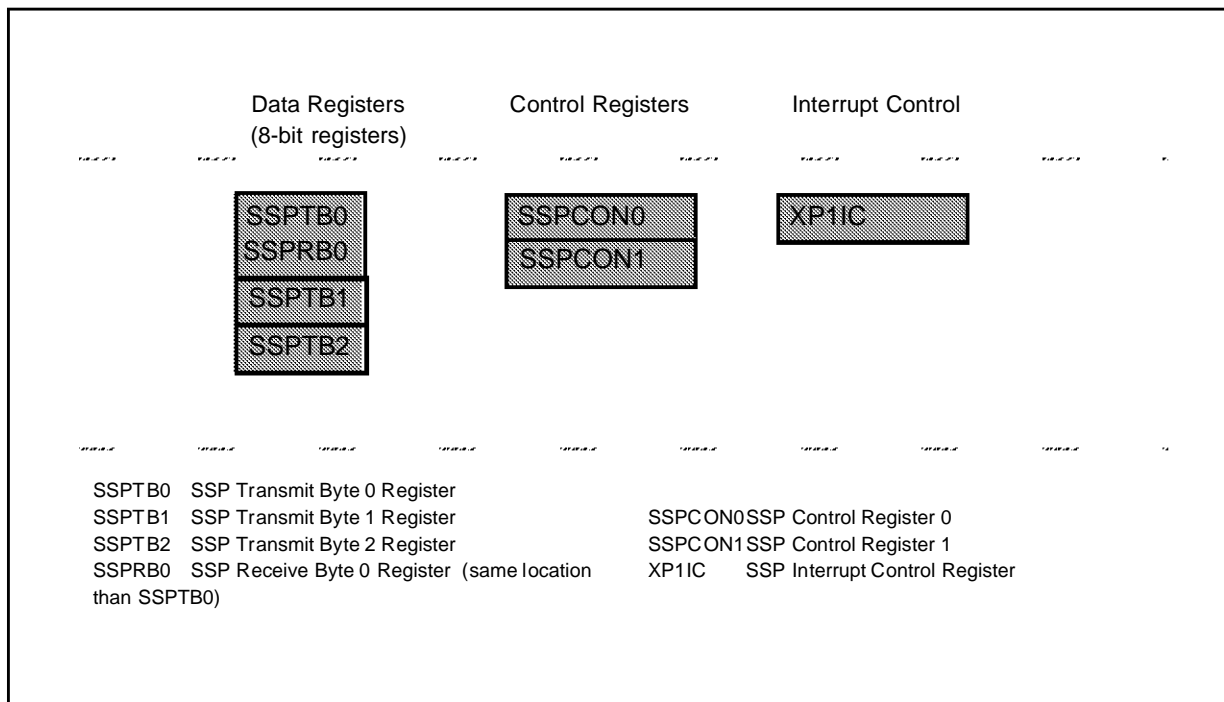
XBUS Implementation

The SSP is implemented as an on-chip X-Peripheral connected onto the XBUS. From a user's point of view, this XBUS can be regarded as an internal representation of the external bus in the 16-bit demultiplexed mode, allowing fastest possible word and byte accesses by the CPU or the PEC to the registers of the SSP. These registers reside in a special SSP address area of 256 bytes, which is mapped into segment 0 and uses addresses EF00h through EFFFh (10 bytes addresses used).

SSP Registers

The registers of the SSP are organized as five 16-bit registers, located on word addresses. However, all registers may be accessed bitwise in order to select special actions without effecting other mechanisms. The figure below shows all control and data registers of the SSP.

Figure 7-2 Synchronous Serial Port SSP Registers



SSP Control Register 0 - SSPCON0

This register contains all bits which are required to setup a read or write operation for the SSP.

SSPCON0 (00'EF00h)

Reset Value: 0000h

15	14	13	12	11	10	9	8	7	6	5	4	3	2	1	0
SSP BSY	-	-	-	-	-	SSP CKP	SSP CKE	SSP RW	SSP HB	SSP CM	SSPSEL		SSPCKS		
-	-	-	-	-	-	rw	rw	rw	rw	rw	rw		rw		

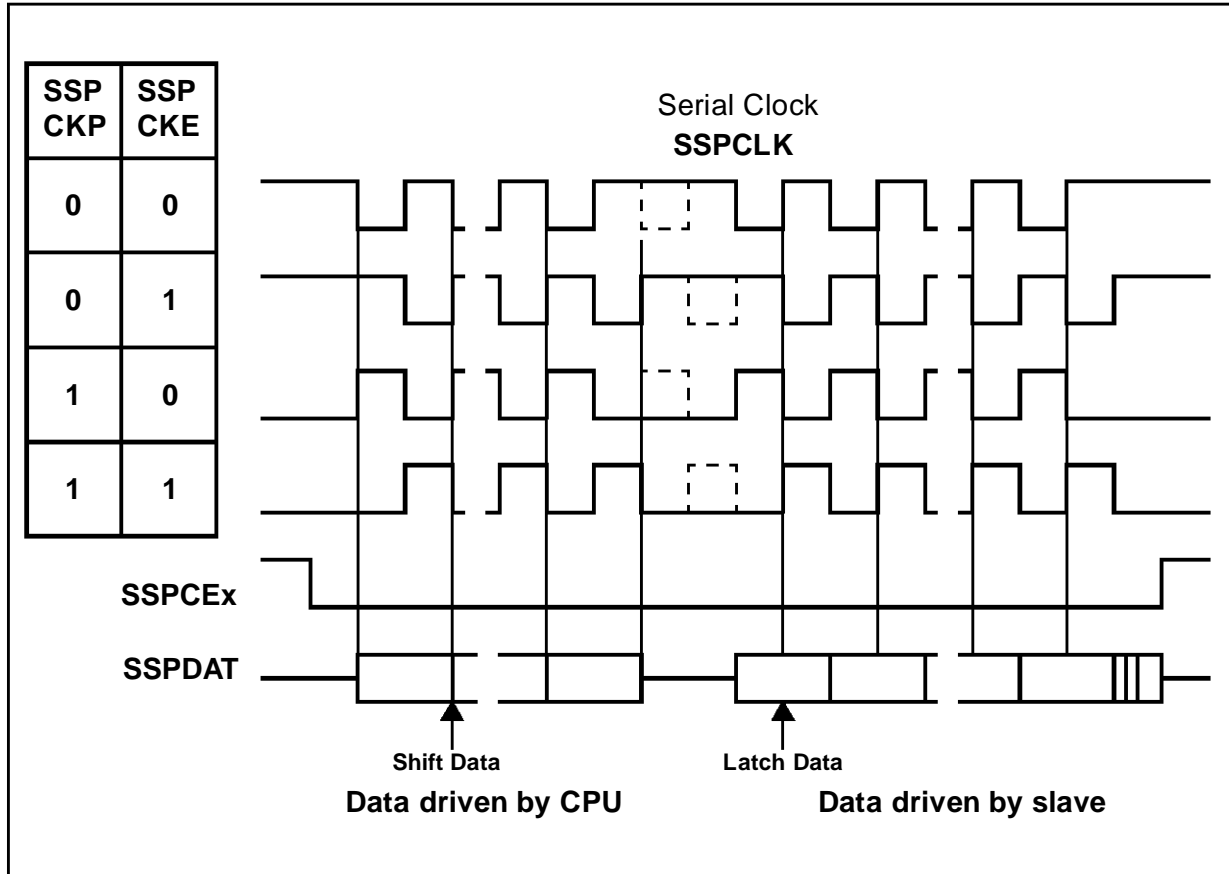
Bit	Function
SSPCKS	SSP Clock Rate Selection
	Baud Rate @ 20 MHz CPU clock
	000: SSP clock = CPU clock divided by 2 10 MBit/s.
	001: SSP clock = CPU clock divided by 4 5 MBit/s.
	010: SSP clock = CPU clock divided by 8 2.5 MBit/s.
	011: SSP clock = CPU clock divided by 16 1.25 MBit/s.
	100: SSP clock = CPU clock divided by 32 625 KBit/s.
	101: SSP clock = CPU clock divided by 64 312.5 KBit/s.
110: SSP clock = CPU clock divided by 128 156.25 KBit/s.	
111: SSP clock = CPU clock divided by 256 78.125 KBit/s.	
SSPSEL	SSP Chip Enable Selection
	00:No chip enable line selected.
	01:Chip enable line 0 (SSPCE0) selected.
	10:Chip enable line 1 (SSPCE1) selected.
11:Both chip enable lines selected. Can be used for broadcast messages. Improper use for read operations may cause line conflicts among several selected slaves.	
SSPCM	SSP Continuous Mode Selection
	0:Single Transfer Mode. Chip enable line deactivated after end of transfer. 1:Continuous Mode. Chip enable line remains active between transfers.
SSPHB	SSP Heading Control Bit
	0:Transmit/Receive LSB First 1:Transmit/Receive MSB First
SSPRW	SSP Read/Write Control Bit
	0:Write Operation selected. 1:Read Operation selected.
SSPCKE	SSP Clock Edge Control Bit
	0:Shift transmit data on the leading clock edge, latch on trailing edge. 1:Latch receive data on leading clock edge, shift on trailing edge.
SSPCKP	SSP Clock Polarity Control Bit
	0:Idle clock is high, leading clock edge is high-to-low transition. 1:Idle clock is low, leading clock edge is low-to-high transition.
SSPBSY	SSP Busy Flag
	0:SSP is idle. 1:SSP is busy.
	The Busy flag is set with the first write into one of the transmit buffers. It is automatically cleared after the last bit has been transferred and selected chip select line is switched inactive.

10 - SYNCHRONOUS SERIAL PORT (ST10R163)

The **Clock Control** allows to adapt transmit and receive behaviour of the SSP to a variety of serial interfaces. A specific clock edge (rising or falling) is used to shift out transmit data, while the other clock edge is used to latch in receive data. Bit

SSPKE selects the leading edge or the trailing edge for each function. Bit SSPKP selects the level of the clock line in the idle state. So for an idle-high clock the leading edge is a falling one, a 1-to-0 transition. The figure below is a summary.

Figure 7-3. Serial Clock Phase and Polarity Options



Initialization

After reset, all SSP I/O lines are in high-impedance state. The SSPDAT line is controlled automatically by the SSP, according to the performed read or write operation. The SSPCLK, SSPCE0 and SSPCE1 lines, however, have individual output control bits. This allows the user to first program the desired polarity of these lines before switching them to output. With this, it is possible to pull the lines to the desired initial polarity already during and after rest until they are switched to push/pull outputs by connecting external pullup or pulldown resistors to pins.

While the polarity of the chip enable lines is programmed via register SSPCON1, the polarity of the clock line is controlled through a bit in register SSPCON0. The reason for this is that the chip enable polarity normally only needs to be selected during initialization, while the clock line polarity and active edge might be switched between transfers to different peripheral slaves. This can be handled by a write to only one control register, SSPCON0, together with other necessary selections for the transfer.

Starting a transfer

Prior to any transfer, all required selections for this transfer should be made. This is performed through programming the control bits in SSPCON0 register to the desired values. The SSPCKS0..2 bits determine the baudrate of the transfer. With the SSPCKS1..0 bits, the appropriate chip enable line(s) is (are) selected. If a continuous transfer is desired, bit SSPCM must be set. The heading control bit SSPHB selects whether each byte is transferred with LSB or MSB first. The type of operation, a read or write operation, is con-

trolled through bit SSPRW. If set, a read operation will take place. In order to communicate with several peripherals with different clocking requirements, the control bits SSPCKP and SSPCKE allow to set the polarity and relevant shift/latch edges of the clock.

When the programming of the control register SSPCON0 is complete, the transfer is started with a write to transmit buffer SSPTB0, regardless of the type of operation (read or write operation).

Performing a Write Operation

If the SPRW bit in register SSPCON0 is reset, a write operation is selected. During a write operation, information is only transferred from the CPU (master) to the slave peripheral. The transmit buffers SSPTB2..SSPTB0 are written by the CPU with the information data to be transferred. Writing to SSPTB0 will start the transfer. The following figure shows the basic waveforms for a write operation of the SSP.

The length of the transfer is determined through which transmit buffers were written to prior to the transfer. Internal flags, 'TBx_Full', are used for this purpose. These flags are set through a write to the corresponding transmit buffer register. SSPTB0 must be written in any case in order to start the transfer. Writing only to SSPTB0 will perform an 8-bit transfer of the content of SSPTB0. When the last bit is shifted out completely, the TB0_Full flag is reset. To start the next transfer, SSPTB0 must be written through software again, even if the same information data as for previous transfer should be transferred.

Note: Content of SSPTBx registers are undefined after a write operation.

Figure 7-4. Write Operation Waveforms

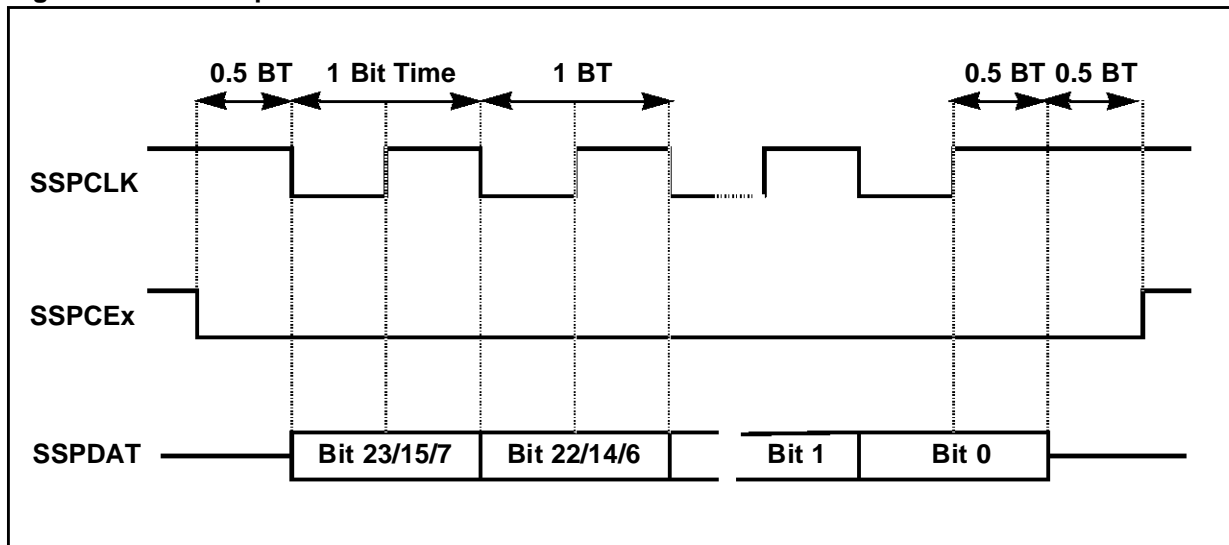
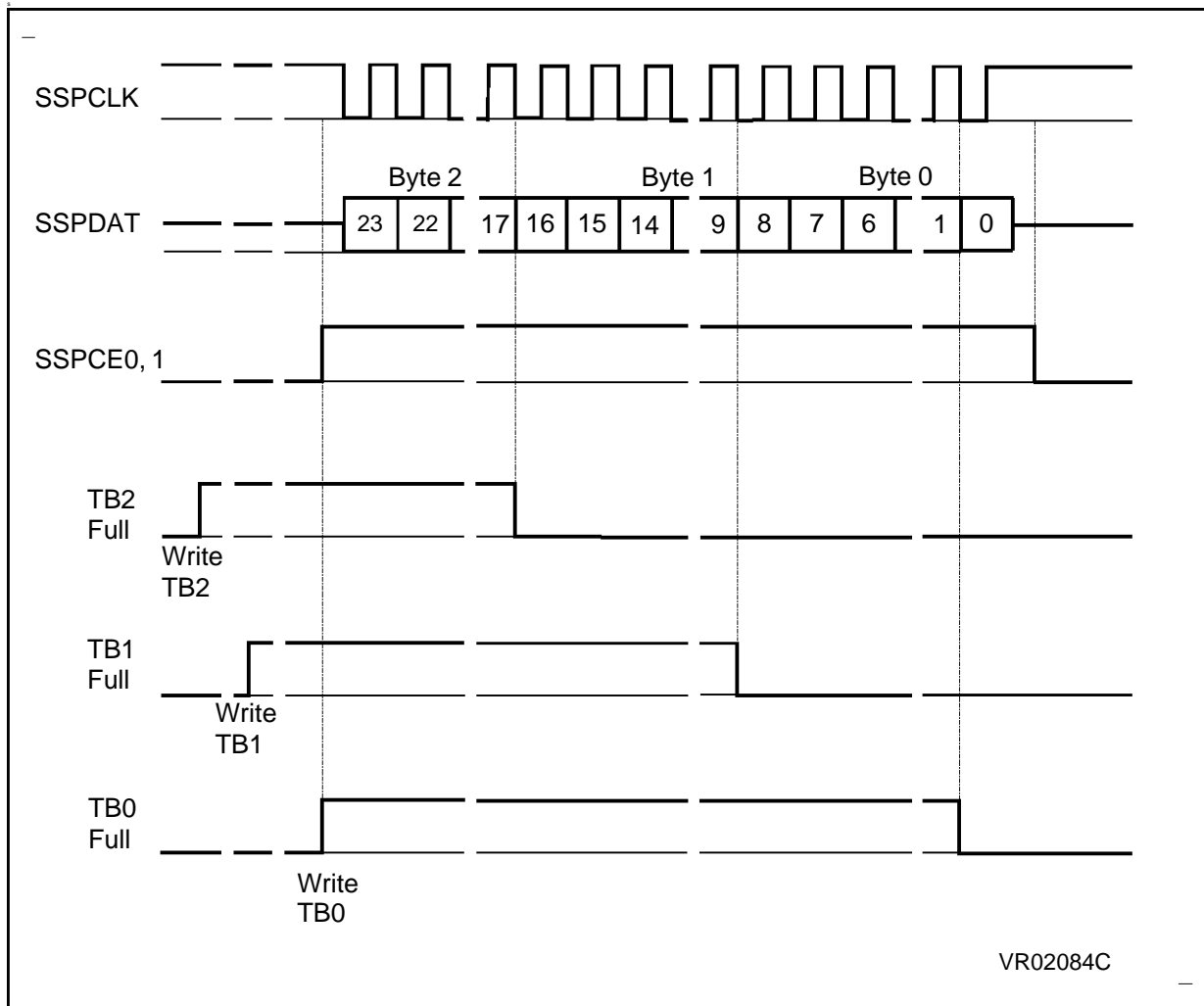


Figure 7-5. Write Operation controlled through Transmit Buffer Full Signal



While SSPTB0 must be the last transmit buffer register written, there is no special sequence required for writing to the other two SSPTBx registers. It has no influence on the operation if

SSPTB2 is written prior to SSPTB1 or vice versa. The following table shows the operation of the SSP depending on which of the transmit buffer registers are written prior to a transfer.

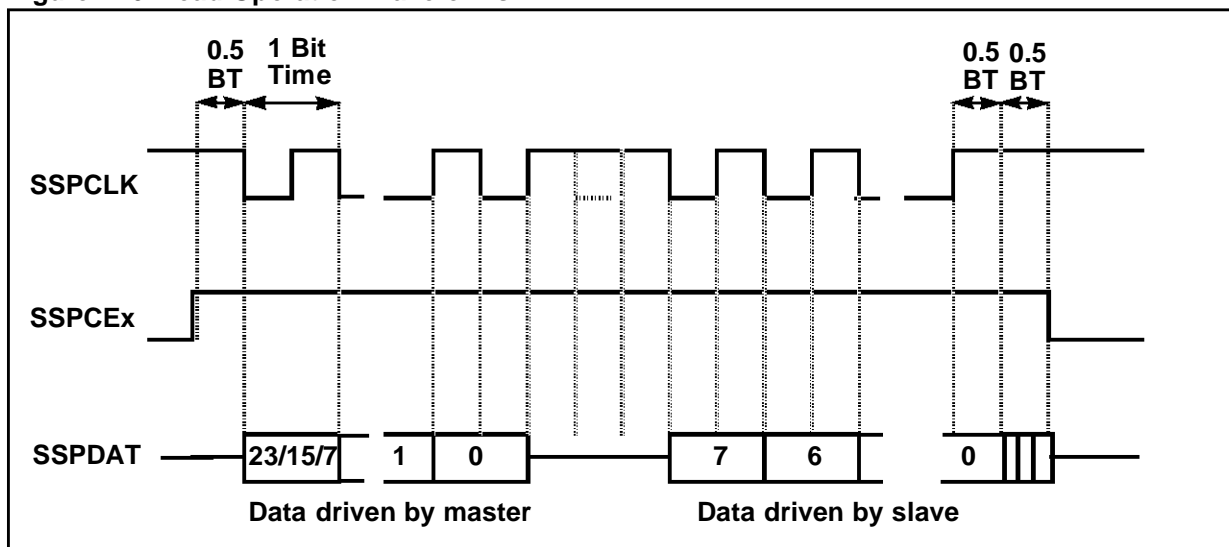
Transmit Buffers written	Transfer length	Transfer sequence
SSPTB2, SSPTB1, SSPTB0	24-bit (3 byte) transfer	SSPTB2, SSPTB1, SSPTB0
SSPTB1, SSPTB2, SSPTB0	24-bit (3 Byte) transfer	SSPTB2, SSPTB1, SSPTB0
SSPTB1, SSPTB0	16-bit (2 byte) transfer	SSPTB1, SSPTB0
SSPTB2, SSPTB0	<i>illegal option</i>	-
SSPTB0	8-bit (1 byte) transfer	SSPTB0

Performing a Read Operation

If the SPRW bit in register SSPCON0 is set, a read operation is selected. During a read operation, first information (command or address information) is transferred from the CPU (master) to the slave peripheral. Then the transfer direction is switched, and information is transferred from the slave to the master. As for the write operation, the transmit buffers SSPTB2...SSPTB0 are written by the CPU with the information data to be first transferred. Writing to SSPTB0 will start the transfer. The following figure shows the basic waveforms for a read operation of the SSP.

For the first part of a read operation (transfer of SSPTBx from master to slave), the same rules as for the write operation are applied concerning the relation between the transfer length and writes in the Transmit Buffers. After writing to SSPTB0, first the content of the transmit buffers are shifted out. Then the data line SSPDAT is switched to input (high-impedance). After a gap of one bit clock, the data present at the SSPDAT pin is latched in with the next 8 clock edges. When the last bit is clocked in, the chip enable line is deactivated one half bit time later.

Figure 7-6. Read Operation Waveforms



Chip Enable Lines

Two chip enable lines are provided by the SSP which are automatically activated at the beginning of a transfer and deactivated again after the transfer is completed. As shown in the previous figures, activation of a chip enable line always begins one half bit time before the first data bit is output at the SSPDAT pin, and the deactivation (except for continuous transfers) is performed one half bit time after the last bit of the transfer has been completely transmitted/received.

The chip enable lines are selected through the control bits SSPSEL0 and SSPSEL1. Note that these automatic chip enable lines can be extended through normal IO pins, which, however, must be activated and deactivated through software. To avoid conflicts with the automatic chip enable lines, the combination '00' for SSPSEL1..0 disables these lines, and should be programmed when using IO lines as additional chip enable signals.

It is also possible to activate both chip enable lines with the combination '11' for SSPSEL1..0. This can be used if the same information has to be transferred to several slaves simultaneously (message broadcast), providing that all slave peripherals use the same clock configuration. Note that this option should only be used for write operation, since for read operations, a conflict on the data line SSPDAT could occur if several slave peripherals try to drive this line.

Using the SSP Chip Enable and Clock Lines for Output Functions

Note that the polarity and output control bits directly influence the lines SSPCLK, SSPCE0 and SSPCE1, regardless whether a transfer is in progress or not. It is recommended not to reprogram these control bits while a transfer is in progress to avoid false operation of the addressed slave peripheral(s).

However, if no transfer is in progress or the SSP is not used at all, the polarity and output control bit can be used to perform general purpose output functions on the pins SSPCLK, SSPCE0 and SSPCE1. The possible options are:

- output a low level,
- output a high level,
- high-impedance (tri-state). The pin can be used as a general purpose IO through Port 4 P4 register if this port line is configured as an input through DP4 register.

Continuous Transfer Modes

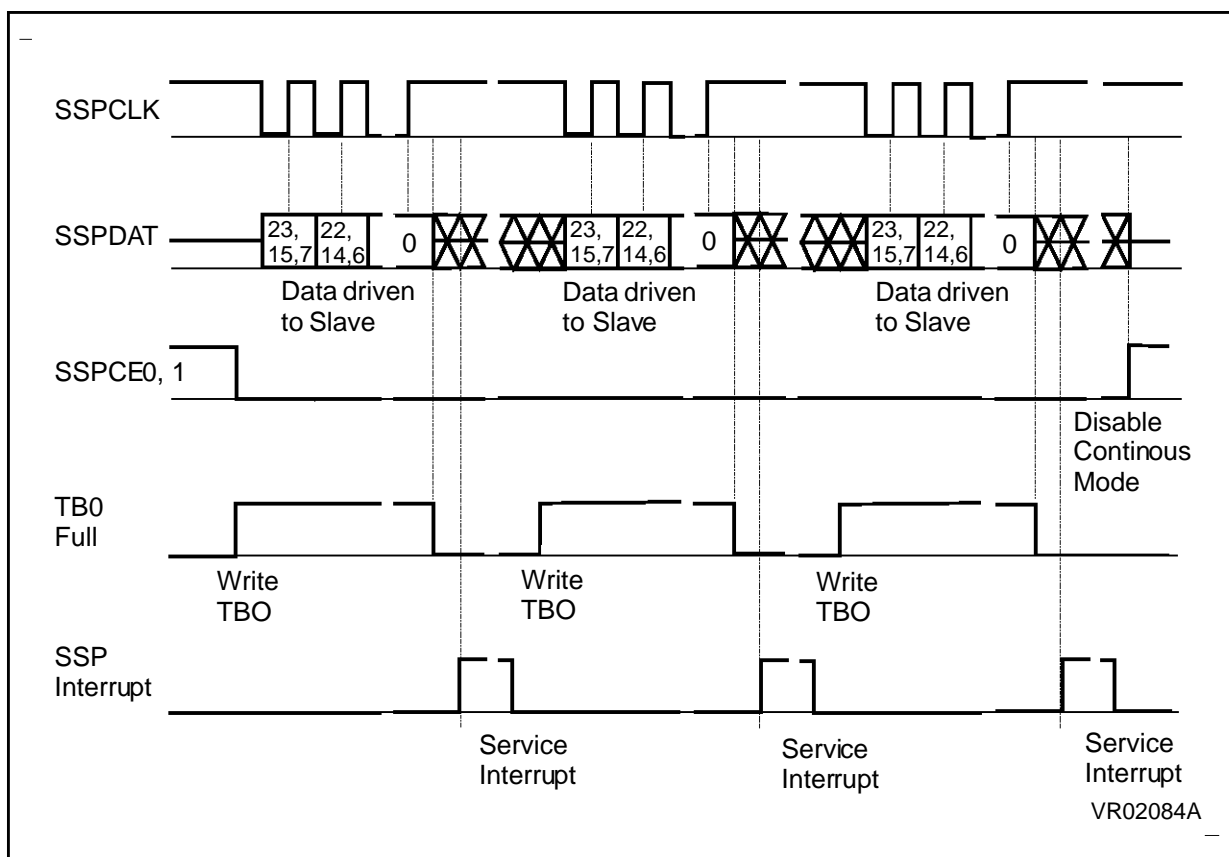
In order to simplify communication with some standard slave devices such as EEPROMs, a continuous transfer mode is implemented in the SSP. This mode is distinguished from the normal mode in that the chip enable line is not deactivated automatically after a transfer is completed, but instead remains active until the mode is switched back from continuous mode (SSPCM = '1') to normal mode (SSPCM = '0'). Thus, consecutive transfers can be performed while holding the chip enable line active during the entire procedure. This condition keeps most peripheral slave devices in the operational mode initiated through the first command transfer. EEPROMs, for instance, are placed into a read mode through first transferring a read command to it. This command is followed by the start address of the location to be read. After this, the EEPROM transfers the data stored in the specified address to the master. If now the chip enable line is deactivated, the EEPROM cancels the read mode and returns to idle mode. A new read operation must again start with the read command followed by an address, and then the data byte at this address is returned to the master.

However, if the chip enable line is not deactivated after the EEPROM has transferred the first data byte, the EEPROM automatically increments to the next address location. If now subsequent clock pulses are applied to the device, the content of this next location is transferred to the master, and so on. In this mode, the EEPROM can be continuously read without having to issue the read command and the start address again.

A similar operation is true for writing to such an EEPROM. These devices allow a certain number of data bytes to be written after an initial write command followed by a start address for the writes.

The figure below shows the write operation in continuous mode. The TBO_Full flag is again used to start subsequent writes to the slave device. The gap between the transfers is application dependent, since the CPU first has to react on the interrupt request at the end of one transfer and rewrite the transmit buffer registers before the next transfer will start. This procedure continues until the mode is switched from continuous mode to normal mode. The chip enable line will then be deactivated immediately if no transfer is in progress or after the current transfer is completed.

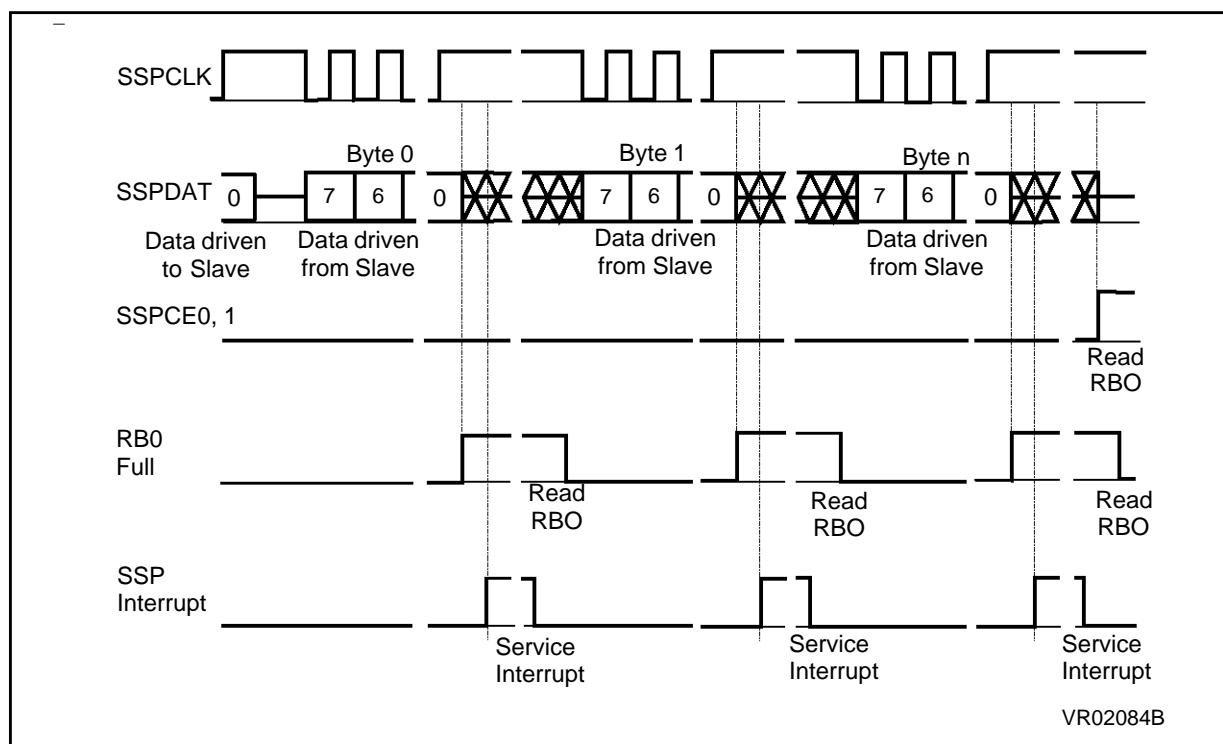
Figure 7-7. Write Operation Waveforms in Continuous Mode



The following figure shows the read operation in continuous mode. Note that the diagram shown starts at the point where the master has written the initial information to the slave and switches the data line SSPDAT from output to input. At the end of a transfer, the byte received from the slave is stored in register SSPRB0, and an internal flag RBO_Full is set. Reading SSPRB0 through software clears this flag, and issues the next 8 clock pulses to receive the next byte from the slave de-

vice. The time between the transfers depends again on the application; the CPU has to react on the interrupt request and read register SSPRB0 in order to start the next transfer. This procedure continues until the mode is switched from continuous mode back to normal mode. The chip enable lines will then be deactivated immediately if no transfer is in progress or after the current transfer is completed.

Figure 7-8. Read Operation Waveforms in Continuous Mode

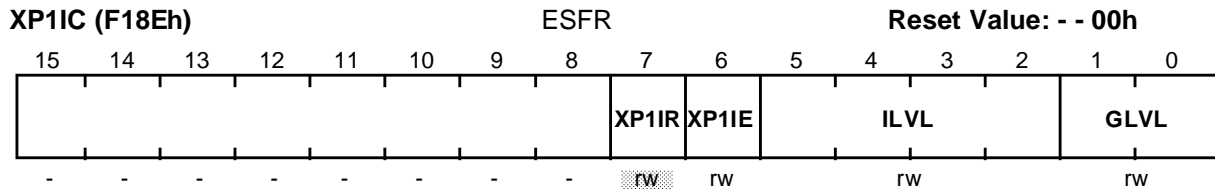


10 - SYNCHRONOUS SERIAL PORT (ST10R163)

Interrupt Control for the SSP

At the end of a transfer in a read or write operation, the interrupt request flag XP1IR in register XP1IC will be set. This will cause an interrupt to the XP1INT interrupt vector or trigger a PEC service, if the interrupt enable bit XP1IE in register XP1IC is set, or the software can poll the XP1IR flag. Note that when using polling technique, the software must clear the XP1IR flag.

The timing for the interrupt request generation is such that the request bit is set one half bit time after completion of the last data bit time. In reference to the normal mode, this is the same time point where the chip enable line is deactivated. Note that the distinction between a write or a read operation interrupt must be performed through software.



Note: Please refer to the general Interrupt Control Register description for an explanation of the control fields.

SSP Input/Output Pins

The SSP is connected to the external world via four signals on Port 4:

SSP Signal	Port Pin	Function
SSPCLK	P4.7	Clock Line of the SSP.
SSPDAT	P4.6	Data Input/Output Line of the SSP.
SSPCE0	P4.5	Chip Enable Line 0 of the SSP.
SSPCE1	P4.4	Chip Enable Line 1 of the SSP.

Note: These SSP signals are only available on the Port 4 pins, if Port 4 is not programmed to output all 8 segment address lines. Select 0, 2 or 4 segment address lines (at start-up configuration during reset) if the SSP is to be used.

Accessing the On-chip SSP

The SSP is accessed like an external memory or peripheral. That means that the registers of the SSP can be read and written using 16-bit or 8-bit direct or indirect MEM addressing modes. Since the XBUS, to which the SSP is connected, also represents the external bus, SSP accesses follow the same rules and procedures as accesses to the external bus. SSP accesses cannot be executed in parallel to external instruction fetches or data read/writes, but are arbitrated and inserted into the external bus access stream.

However, the on-chip SSP is accessed via the 16-bit demultiplexed bus mode exclusively. This provides the user the fastest access to the SSP registers.

When accessing the on-chip SSP, the bus has to be switched to the appropriate bus mode within the SSP address range. This is done via a specific register-pair, XBCON1 and XADRS1, which is similar to the BUSCONx/ADDRSELx register-pairs. With the XBCON1 register (XBUS Bus Configuration Register 1), the bus mode, number of waitstates, etc., for accessing the SSP are controlled. The XADRS1 register (XBUS Address Select Register 1) is used to specify the SSP address area. Contrary to the BUSCONx/ADDRSELx registers, the XBCON1/XADRS1 registers are mask-programmed, i.e. they are not software programmable.

The mask-programming of these registers is:

```
XBCON1: 04BFh
XADRS1: 0EF0h
```

The XBCON1 register is organized like the BUSCONx registers except that there is no option for read/write chip selects (bits 14 and 15). With the mask-programmed value shown above, the following options are selected:

```
XRDYEN:0    READY disabled
```

```
XBUSACT:1    XBUS active
XALECTL:0    No ALE Lengthening
XBTYP:10     16-bit DEMUX Bus
XMTTC:1      No Tri-State Wait-
state
XRWDC:1      No Read/Write Delay
XMTRC:1101 0 Waitstate
```

Note: The XBUSACT bit of register XBCON1 only enables accesses to the SSP, it does not control the **external** bus (as the other BUSACT bits in the BUSCONs).

The XADRS0 register is organized like the other ADDRSELx registers except that it uses the reduced address ranges, which are defined for XBUS Peripherals. With the mask-programmed value shown above, the following options are selected:

```
ADDR: 00'EF00h SSP address area
starts at EF00h in segment 0
RGSZ: 0000 SSP address area
covers 256 bytes
```

Locating the SSP address area to address EF00h in segment 0 has the advantage that the SSP is accessible via the data page 3, which is the 'system' data page, accessed usually through the 'system' data page pointer DPP3. In this way, the internal addresses, such like SFRs, internal RAM, and the SSP registers, are all located into the same data page, and form a contiguous address space.

Visibility of Accesses to the SSP

An access to the SSP can be made fully visible externally or not. This option is controlled by the bit **VISIBLE** in register SYSCON. The grade of visibility depends on several conditions described in the following.

10 - SYNCHRONOUS SERIAL PORT (ST10R163)

Single Chip Mode

Since the ST10R163 is a ROMless device, it can not be run in single chip mode. This description is only intended for future version that could provide internal Flash or ROM. The single chip mode is entered during reset with pin EA tied to a logic high level. The chip will start running in single chip mode without an external bus.

When bit **VISIBLE** in register **SYSCON** is cleared, **SSP** accesses will be completely hidden. Although the **SSP** is connected to the **XBUS**, which is an internal implementation of the external bus, it can be accessed in single chip mode without any restriction. No external bus signal will be generated for an access to the **SSP** address range, because the **XBUSACT** bit in register **XBCON1** only controls accesses to the **SSP** via the **XBUS**, it does **not** control the **external** bus (i.e. **PORT0**, **PORT1**, **Port 4** and **Port 6** can be used for general purpose I/O).

When bit **VISIBLE** in register **SYSCON** is set, then accesses to the **SSP** can be made visible to the external world. To do so, one of the **BUSCON** registers has to enable a 16-bit demultiplexed external bus (**PORT0** and **PORT1** cannot be used for general purpose I/O in this case). All accesses to the **SSP** can be monitored externally, and read/write strobes are generated. The visibility of the segment address depends on the number of segment address lines selected for **Port 4**.

External Bus Mode

If an external bus is enabled through one or more of the **BUSCON** registers, **PORT0**, **PORT1**, **Port 4** and **Port 6** (or parts of them) may be used to control the external bus.

When bit **VISIBLE** in register **SYSCON** is cleared, accesses to the **SSP** will be partly reflected on the external bus. Due to severe timing constraints, it is not possible to hide **SSP** accesses completely, when an external bus is enabled. **SSP** accesses will be reflected on the external bus in the following manner:

- The **ALE** signal will be generated in any case.
- No Read or Write Signals will be generated.
- The data of a read access cannot be seen.
- The visibility of the segment address depends on the number of segment address lines selected for **Port 4**.
- The **SSP** is connected to the bus controller via a 16-bit demultiplexed bus. However, address and data information of a **SSP** access will be only on those ports operating in the currently selected bus mode, as shown in the table below.

When bit **VISIBLE** in register **SYSCON** is set, full visibility of all **SSP** accesses is provided, if a 16-bit demultiplexed bus mode is enabled through one of the **BUSCON** registers (**PORT0** and **PORT1** cannot be used for general purpose I/O in this case). All **SSP** accesses can be monitored externally and read/write strobes are generated. The visibility of the segment address depends on the number of segment address lines selected for **Port 4**.

Currently Selected Bus Mode	Port	Visible Information of SSP Access
8-bit Multiplexed	P0L	Low Byte of SSP Write Data
	P0H	High Byte of SSP Write Data
8-bit Demultiplexed	P0L	Low Byte of SSP Write Data (High byte not visible)
	PORT1	16-bit SSP Address
16-bit Multiplexed	PORT0	16-bit SSP Write Data
16-bit Demultiplexed	PORT0	16-bit SSP Write Data
	PORT1	16-bit SSP Address

Accessing the SSP in Hold Mode

When the ST10R163 is placed into hold mode by an external HOLD request, accesses to external memory or peripherals have to wait until the HOLD request is deactivated. SSP accesses, however, can be executed in this mode, if bit **VISIBLE** in register **SYSCON** is cleared. In this case, an access to the SSP is completely invisible to the external world. If bit **VISIBLE** is set, then also SSP accesses have to wait until the external HOLD request is removed.

Note: SSP accesses during HOLD mode are blocked after any attempt to access an external lo-

cation, even if the **VISIBLE** bit is cleared. The initiated external access must be finished first, which requires the HOLD condition to be removed.

Power Down Mode

If the ST10R163 enters the Power Down Mode, the **XCLK** (XBUS Clock) signal will be turned off which will stop the operation of the SSP. Any transfer operation in progress will be interrupted.

After returning from Power Down Mode via hardware reset, the SSP has to be reconfigured.

10 - SYNCHRONOUS SERIAL PORT (ST10R163)

Notes:

11 - WATCHDOG TIMER

To allow recovery from software or hardware failure, the ST10R163 provides a Watchdog Timer. If the software fails to service this timer before an overflow occurs, an internal reset sequence will be initiated. This internal reset will also pull the RSTOUT pin low, which also resets the peripheral hardware, which might be the cause for the malfunction. When the watchdog timer is enabled and the software has been designed to service it regularly before it overflows, the watchdog timer will supervise the program execution, as it only will overflow if the program does not progress properly. The watchdog timer will also time out, if a software error was due to hardware related failures.

This prevents the controller from malfunctioning for longer than a user-specified time.

The watchdog timer provides two registers: a read-only timer register that contains the current count, and a control register for initialization.

The watchdog timer is a 16-bit up counter which can be clocked with the CPU clock (f_{CPU}) either divided by 2 or divided by 128. This 16-bit timer is realized as two concatenated 8-bit timers (see figure below). The upper 8 bits of the watchdog timer can be preset to a user-programmable value via a watchdog service access in order to vary the watchdog expire time. The lower 8 bits are reset on each service access.

Figure 8-1. Watchdog Timer Block Diagram

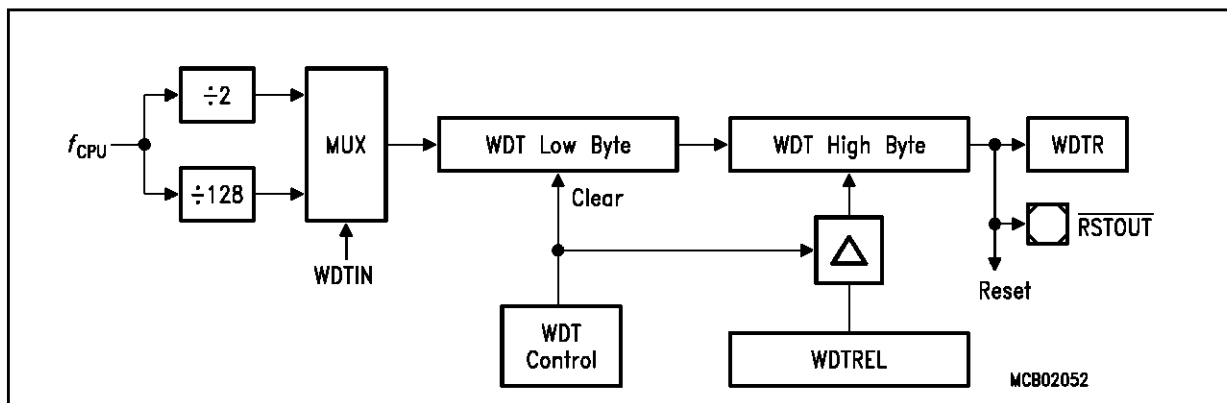
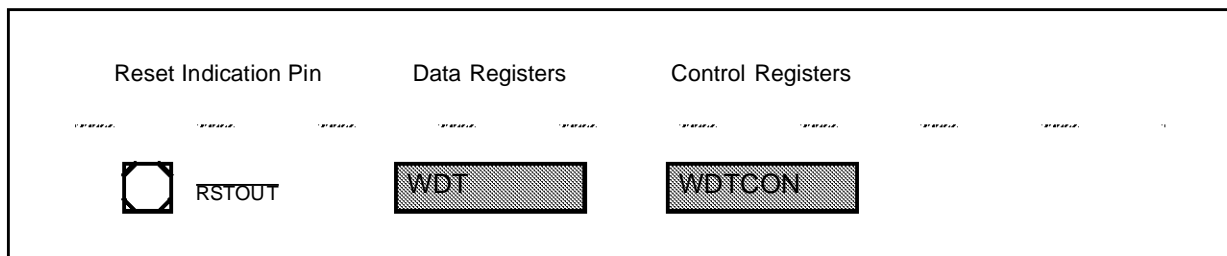


Figure 8-2. SFRs and Port Pins associated with the Watchdog Timer



11 - WATCHDOG TIMER (ST10R163)

Operation of the Watchdog Timer

The current count value of the Watchdog Timer is contained in the Watchdog Timer Register WDT, which is a non-bitaddressable read-only register. The operation of the Watchdog Timer is controlled by its bitaddressable Watchdog Timer Control Register WDTCON. This register specifies the reload value for the high byte of the timer, selects the input clock prescaling factor and provides a flag that indicates a watchdog timer overflow.

After any software reset, external hardware reset (see note), or watchdog timer reset, the watchdog timer is enabled and starts counting up from 0000h with the frequency $f_{CPU}/2$. The input frequency may be switched to $f_{CPU}/128$ by setting bit WDTIN. The watchdog timer can be disabled via the instruction DISWDT (Disable Watchdog Timer). Instruction DISWDT is a protected 32-bit instruction which will ONLY be executed during the time between a reset and execution of either the EINIT (End of Initialization) or the SRVWDT (Service Watchdog Timer) instruction. Either one of these instructions disables the execution of DISWDT.

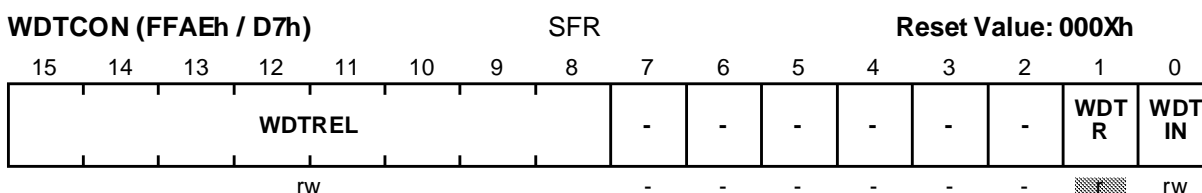
When the watchdog timer is not disabled via instruction DISWDT, it will continue counting up, even during Idle Mode. If it is not serviced via the instruction SRVWDT by the time the count reaches FFFFh the watchdog timer will overflow and cause an internal reset. This reset will pull the external reset indication pin RSTOUT low. It differs from a software or external hardware reset in that bit WDTR (Watchdog Timer Reset Indication Flag) of register WDTCON will be set. A hardware reset

or the SRVWDT instruction will clear this bit. Bit WDTR can be examined by software in order to determine the cause of the reset.

A watchdog reset will also complete a running external bus cycle before starting the internal reset sequence if this bus cycle does not use \overline{READY} or samples \overline{READY} active (low) after the programmed waitstates. Otherwise the external bus cycle will be aborted.

Note: After a hardware reset that activates the Bootstrap Loader the watchdog timer will be disabled

To prevent the watchdog timer from overflowing, it must be serviced periodically by the user software. The watchdog timer is serviced with the instruction SRVWDT, which is a protected 32-bit instruction. Servicing the watchdog timer clears the low byte and reloads the high byte of the watchdog time register WDT with the preset value in bit field WDTREL, which is the high byte of register WDTCON. Servicing the watchdog timer will also reset bit WDTR. After being serviced the watchdog timer continues counting up from the value $(\langle WDTREL \rangle * 2^8)$. Instruction SRVWDT has been encoded in such a way that the chance of unintentionally servicing the watchdog timer (eg. by fetching and executing a bit pattern from a wrong location) is minimized. When instruction SRVWDT does not match the format for protected instructions, the Protection Fault Trap will be entered, rather than the instruction be executed.



Bit	Function
WDTIN	Watchdog Timer Input Frequency Selection '0': Input frequency is $f_{CPU} / 2$ '1': Input frequency is $f_{CPU} / 128$
WDTR	Watchdog Timer Reset Indication Flag Set by the watchdog timer on an overflow. Cleared by a hardware reset or by the SRVWDT instruction.
WDTREL	Watchdog Timer Reload Value (for the high byte)

Note: The reset value will be 0002h, if the reset was triggered by the watchdog timer (overflow). It will be 0000h otherwise.

11 - WATCHDOG TIMER (ST10R163)

The time period for an overflow of the watchdog timer is programmable in two ways:

- **the input frequency** to the watchdog timer can be selected via bit WDTIN in register WDTCON to be either $f_{CPU}/2$ or $f_{CPU}/128$.
- **the reload value** WDTREL for the high byte of WDT can be programmed in register WDTCON.

The period P_{WDT} between servicing the watchdog timer and the next overflow can therefore be determined by the following formula:

$$P_{WDT} = \frac{2^{(1 + \langle WDTIN \rangle * 6)} * (2^{16} - \langle WDTREL \rangle * 2^8)}{f_{CPU}}$$

The table below marks the possible ranges for the watchdog time which can be achieved using a CPU clock of 20 MHz. Some numbers are rounded to 3 significant digits.

Note: For safety reasons, the user is advised to rewrite WDTCON each time before the watchdog timer is serviced.

Reload value in WDTREL	Prescaler for f_{CPU}	
	2 (WDTIN = '0')	128 (WDTIN = '1')
FFh	25.6 ms	1.6 ms
00h	6.55 ms	419 ms

11 - WATCHDOG TIMER (ST10R163)

Note:

12 - SYSTEM RESET

The internal system reset function provides initialization of the ST10R163 into a defined default state and is invoked either by asserting a hardware reset signal on pin \overline{RSTIN} (Hardware Reset Input), upon the execution of the SRST instruction (Software Reset) or by an overflow of the watchdog timer

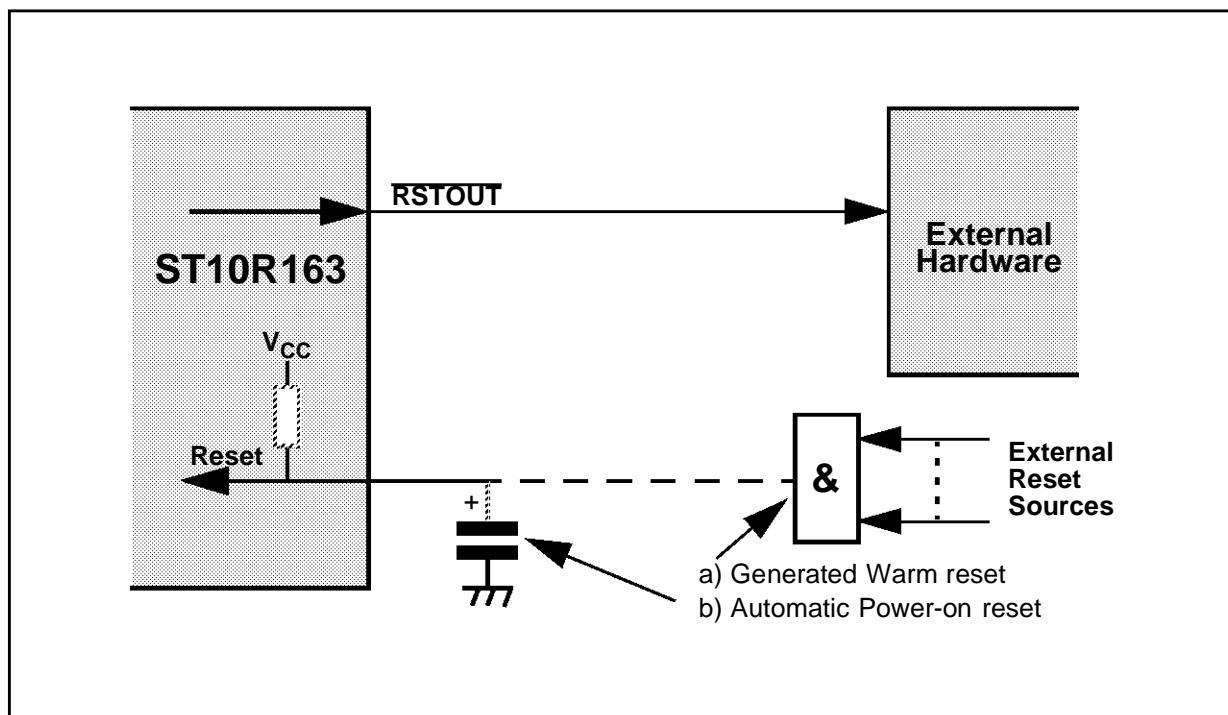
Whenever one of these conditions occurs, the microcontroller is reset into its predefined default state through an internal reset procedure. When a reset is initiated, pending internal hold states are cancelled and the current internal access cycle (if any) is completed. An external bus cycle is aborted, except for a watchdog reset (see description). After that the bus pin drivers and the IO pin drivers are switched off (tristate). \overline{RSTOUT} is activated depending on the reset source.

The internal reset procedure requires 516 CPU clock cycles (25.8 μ s @ 20 MHz CPU clock) in or-

der to perform a complete reset sequence. This 516 cycle reset sequence is started upon a watchdog timer overflow, a SRST instruction or when the reset input signal \overline{RSTIN} is latched low (hardware reset). The internal reset condition is active at least for the duration of the reset sequence and then until the \overline{RSTIN} input is inactive. When this internal reset condition is removed (reset sequence complete and \overline{RSTIN} inactive), the reset configuration is latched from PORT0, and pins \overline{ALE} , \overline{RD} and \overline{WR} are driven to their inactive levels.

After the internal reset condition is removed, the microcontroller will start program execution from memory location 00'0000h in code segment zero. This start location will typically hold a branch instruction to the start of a software initialization routine for the application specific configuration of peripherals and CPU Special Function Registers.

Figure 9-1. External Reset Circuitry



Hardware Reset

A hardware reset is triggered when the reset input signal \overline{RSTIN} is latched low. To ensure the recognition of the \overline{RSTIN} signal (latching), it must be held low for at least 2 CPU clock cycles. However, also shorter \overline{RSTIN} pulses may trigger a hardware reset, if they coincide with the latch's sample point. \overline{RSTIN} may go high during the reset sequence. After the reset sequence has been completed, the \overline{RSTIN} input is sampled. When the reset input signal is active at that time the internal reset condition is prolonged until \overline{RSTIN} gets inactive.

The input \overline{RSTIN} provides an internal pullup device equalling a resistor of 50 K Ω to 150 K Ω (the minimum reset time must be determined by the lowest value). Simply connecting an external capacitor is sufficient for an automatic power-on reset (see a) in figure above). \overline{RSTIN} may also be connected to the output of other logic gates (see b) in figure above).

Note: Driving \overline{RSTIN} low for 2 CPU clock cycles is only sufficient for a hardware triggered warm reset. A power-on reset requires an active time of two reset sequences (1036 CPU clock cycles) after a stable clock signal is available (about 10...50 ms to allow the on-chip oscillator to stabilize).

Software Reset

The reset sequence can be triggered at any time via the protected instruction SRST (Software Reset). This instruction can be executed deliberately within a program, eg. to leave bootstrap loader mode, or upon a hardware trap that reveals a system failure.

A software reset disregards the configuration of POL.5...POL.0.

Watchdog Timer Reset

When the watchdog timer is not disabled during the initialization or serviced regularly during program execution it will overflow and trigger the reset sequence. Other than hardware and software reset the watchdog reset completes a running external bus cycle if this bus cycle either does not use \overline{READY} at all, or if \overline{READY} is sampled active (low) after the programmed waitstates. When \overline{READY} is sampled inactive (high) after the programmed waitstates the running external bus cycle is aborted. Then the internal reset sequence is started.

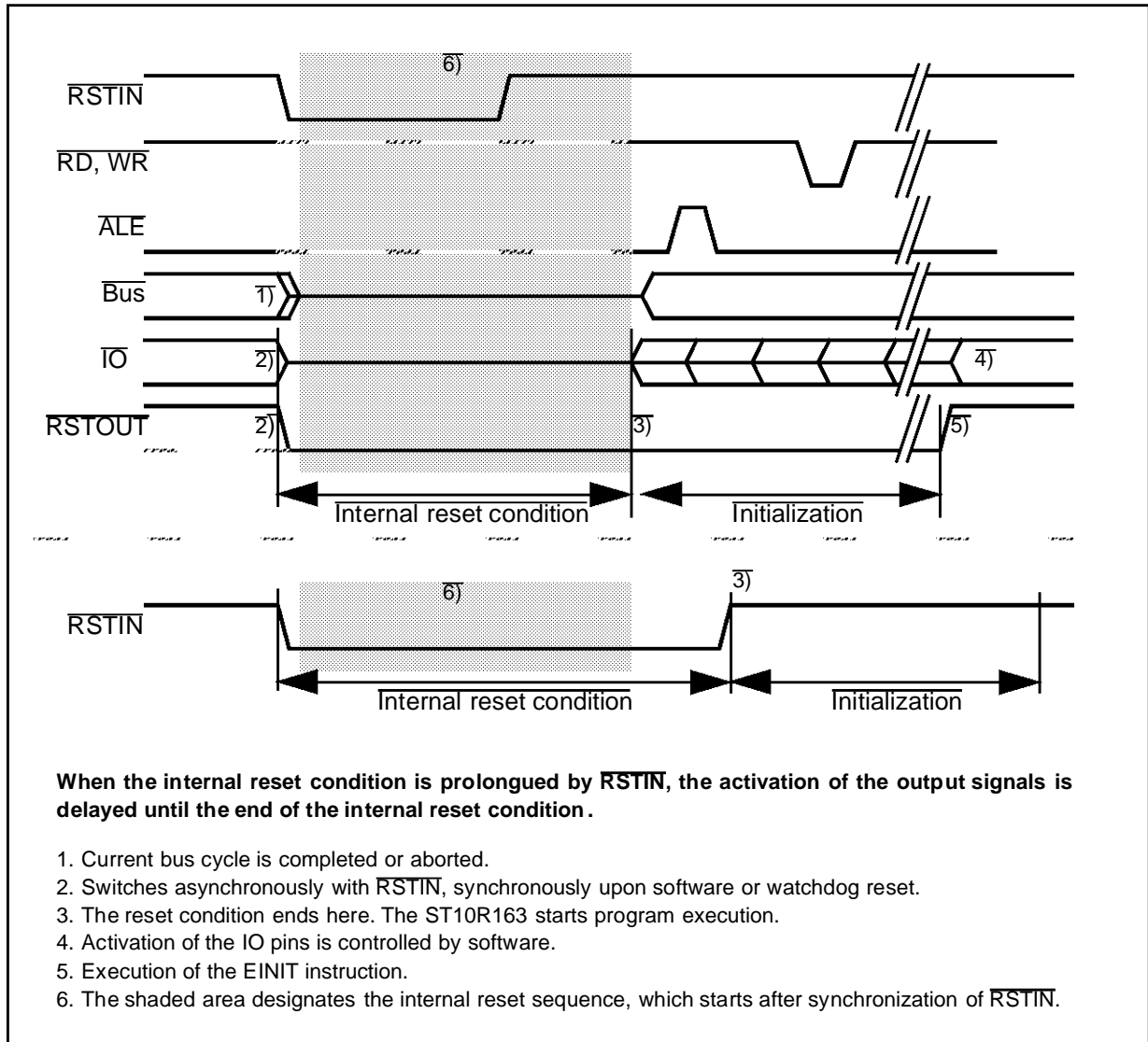
Note: A watchdog reset disregards the configuration of POL.5...POL.0. The watchdog reset cannot occur while the ST10R163 is in bootstrap loader mode!

12.1 THE ST10R163'S PINS AFTER RESET

After the reset sequence the different groups of pins of the ST10R163 are activated in different ways depending on their function. Bus and control signals are activated immediately after the reset sequence according to the configuration latched from PORT0, so either external accesses can

takes place or the external control signals are inactive. The general purpose IO pins remain in input mode (high impedance) until reprogrammed via software (see figure below). The RSTOUT pin remains active (low) until the end of the initialization routine (see description).

Figure 9-2 Reset Input and Output Signals



12.2 RESET OUTPUT PIN

The $\overline{\text{RSTOUT}}$ pin is dedicated to generate a reset signal for the system components besides the controller itself. $\overline{\text{RSTOUT}}$ will be driven active (low) at the begin of any reset sequence (triggered by hardware, the SRST instruction or a watchdog timer overflow). $\overline{\text{RSTOUT}}$ stays active (low) beyond the end of the internal reset sequence until the protected EINIT (End of Initialization) instruction is executed (see figure above). This allows to completely configure the controller including its on-chip peripheral units before releasing the reset signal for the external peripherals of the system.

12.3 WATCHDOG TIMER OPERATION AFTER RESET

The watchdog timer starts running after the internal reset has completed. It will be clocked with the internal system clock divided by 2 (10 MHz @ $f_{\text{CPU}}=20$ MHz), and its default reload value is 00h, so a watchdog timer overflow will occur 131072 CPU clock cycles (6.55 ms @ $f_{\text{CPU}}=20$ MHz) after completion of the internal reset, unless it is disabled, serviced or reprogrammed meanwhile. When the system reset was caused by a watchdog timer overflow, the WDTR (Watchdog Timer Reset Indication) flag in register WDTCON will be set to '1'. This indicates the cause of the internal reset to the software initialization routine. WDTR is reset to '0' by an external hardware reset or by servicing the watchdog timer. After the internal reset has completed, the operation of the watchdog timer can be disabled by the DISWDT (Disable Watchdog Timer) instruction. This instruction has been implemented as a protected instruction. For further security, its execution is only enabled in the time period after a reset until either the SRVWDT (Service Watchdog Timer) or the EINIT instruction has been executed. Thereafter the DISWDT instruction will have no effect.

12.4 RESET VALUES FOR THE ST10R163 REGISTERS

During the reset sequence the registers of the ST10R163 are preset with a default value. Most SFRs, including system registers and peripheral control and data registers, are cleared to zero, so all peripherals and the interrupt system are off or idle after reset. A few exceptions to this rule provide a first pre-initialization, which is either fixed or controlled by input pins.

DPP1:0001h (points to data page 1)
DPP2:0002h (points to data page 2)
DPP3:0003h (points to data page 3)
CP: FC00h
STKUN:FC00h
STKOV:FA00h
SP: FC00h
WDTCON:0002h, if reset was triggered by a watchdog timer overflow, 000h otherwise
S0RBUF:XXh (undefined)
SSCRB:XXXXh (undefined)
SYSCON:0XX0h (set according to reset configuration)
BUSCON0:0XX0h (set according to reset configuration)
RP0H:XXh (reset levels of P0H)
ONES:FFFFh (fixed value)

12.5 THE INTERNAL RAM AFTER RESET

The contents of the internal RAM are not affected by a system reset. However, after a power-on reset, the contents of the internal RAM are undefined. This implies that the GPRs (R15...R0) and the PEC source and destination pointers (SRCP7...SRCP0, DSTP7...DSTP0) which are mapped into the internal RAM are also unchanged after a warm reset, software reset or watchdog reset, but are undefined after a power-on reset.

12.6 PORTS AND EXTERNAL BUS CONFIGURATION DURING RESET

During the internal reset sequence all of the ST10R163's port pins are configured as inputs by clearing the associated direction registers, and their pin drivers are switched to the high impedance state. This ensures that the ST10R163 and external devices will not try to drive the same pin to different levels. Pin ALE is held low through an internal pulldown, and pins $\overline{\text{RD}}$ and $\overline{\text{WR}}$ are held high through internal pullups. Also the pins selected for $\overline{\text{CS}}$ output will be pulled high.

The registers SYSCON and BUSCON0 are initialized according to the configuration selected via PORT0.

PORTS AND EXTERNAL BUS CONFIGURATION DURING RESET(Cont'd)

Pin \overline{EA} must be held at '0' level.

- the Bus Type field (BTYP) in register BUSCON0 is initialized according to P0L.7 and P0L.6
- bit BUSACT0 in register BUSCON0 is set to '1'
- bit ALECTL0 in register BUSCON0 is set to '1'
- bit ROMEN in register SYSCON will be cleared to '0'
- bit BYTDIS in register SYSCON is set according to the data bus width

The other bits of register BUSCON0, and the other BUSCON registers are cleared. This default initialization selects the slowest possible external accesses using the configured bus type. The Ready function is disabled at the end of the internal system reset.

When the internal reset has completed, the configuration of PORT0, PORT1, Port 4, Port 6 and of the \overline{BHE} signal (High Byte Enable, alternate function of P3.12) depends on the bus type which was selected during reset. When any of the external bus modes was selected during reset, PORT0 (and PORT1) will operate in the selected bus mode. Port 4 will output the selected number of segment address lines (all zero after reset) and Port 6 will drive the selected number of \overline{CS} lines ($\overline{CS0}$ will be '0', while the other active \overline{CS} lines will be '1'). When no memory accesses above 64 K are to be performed, segmentation may be disabled.

All other pins remain in the high-impedance state until they are changed by software or peripheral operation.

12.7 APPLICATION-SPECIFIC INITIALIZATION ROUTINE

After the internal reset condition is removed the ST10R163 fetches the first instruction from location 00'0000h, which is the first vector in the trap/interrupt vector table, the reset vector. 4 words (locations 00'0000h through 00'0007h) are provided in this table to start the initialization after reset. As a rule, this location holds a branch instruction to the actual initialization routine that may be located anywhere in the address space.

After reset, it may be desirable to reconfigure the external bus characteristics, because the SYSCON register is initialized during reset to the slowest possible memory configuration.

To decrease the number of instructions required to initialize the ST10R163, each peripheral is programmed to a default configuration upon reset, but is disabled from operation. These default configurations can be found in the descriptions of the individual peripherals.

During the software design phase, portions of the internal memory space must be assigned to register banks and system stack. When initializing the stack pointer (SP) and the context pointer (CP), it must be ensured that these registers are initialized before any GPR or stack operation is performed. This includes interrupt processing, which is disabled upon completion of the internal reset, and should remain disabled until the SP is initialized.

Note: Traps (incl. \overline{NMI}) may occur, even though the interrupt system is still disabled.

In addition, the stack overflow (STKOV) and the stack underflow (STKUN) registers should be initialized. After reset, the CP, SP, and STKUN registers all contain the same reset value 00'FC00h, while the STKOV register contains 00'FA00h. With the default reset initialization, 256 words of system stack are available, where the system stack selected by the SP grows downwards from 00'FBFEh, while the register bank selected by the CP grows upwards from 00'FC00h.

Based on the application, the user may wish to initialize portions of the internal memory before normal program operation. Once the register bank has been selected by programming the CP register, the desired portions of the internal memory can easily be initialized via indirect addressing.

At the end of the initialization, the interrupt system may be globally enabled by setting bit IEN in register PSW. Care must be taken not to enable the interrupt system before the initialization is complete.

The software initialization routine should be terminated with the EINIT instruction. This instruction has been implemented as a protected instruction. Execution of the EINIT instruction disables the action of the DISWDT instruction, disables write accesses to register SYSCON (see note) and causes the \overline{RSTOUT} pin to go high. This signal can be used to indicate the end of the initialization routine and the proper operation of the microcontroller to external hardware.

Note: All configurations regarding register SYSCON (enable CLKOUT, stacksize, etc.) must be selected before the execution of EINIT.

APPLICATION-SPECIFIC INITIALIZATION ROUTINE(Cont'd)

System Startup Configuration

Although most of the programmable features of the ST10R163 are either selected during the initialization phase or repeatedly during program execution, there are some features that must be selected earlier, because they are used for the first access of the program execution (eg. external bus configuration).

These selections are made during reset via the pins of PORT0, which are read during the internal reset sequence. During reset internal pullup devices are active on the PORT0 lines, so their input level is high, if the respective pin is left open, or is low, if the respective pin is connected to an external pull-down device. The coding of the selections, as shown below, allows in many cases to use the default option, ie. high level.

The value on the upper byte of PORT0 (P0H) is latched into register RP0H upon reset, the value on the lower byte (P0L) directly influences the BUSCON0 register (bus mode) or the internal control logic of the ST10R163.

The pins that control the operation of the internal control logic and the reserved pins are evaluated only during a hardware triggered reset sequence. The pins that influence the configuration of the ST10R163 are evaluated during any reset sequence, ie. also during software and watchdog timer triggered resets.

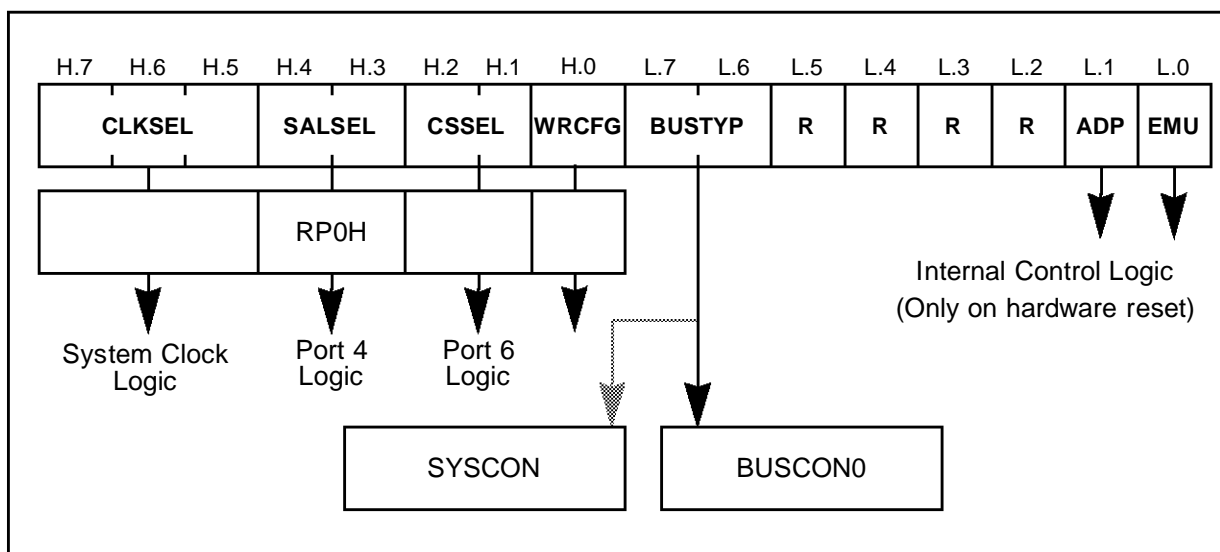
The configuration via P0H is latched in register RP0H for subsequent evaluation by software. Register RP0H is described in chapter "The External Bus Interface".

Note: The reserved pins (marked "R") must remain high during reset in order to ensure proper operation of the ST10R163. The load on those pins must be small enough for the internal pullup device to keep their level high, or external pullup devices must ensure the high level.

The pins marked "X" should be left open for ST10R163 devices that do not use them.

The following describes the different selections that are offered for reset configuration. The default modes refer to pins at high level, ie. without external pull-down devices connected. Please also consider the note (above) on reserved pins.

Figure 9-3. PORT0 Configuration during Reset



APPLICATION-SPECIFIC INITIALIZATION ROUTINE(Cont'd)**Emulation Mode**

Pin P0L.0 (EMU) selects the Emulation Mode, when low during reset. This mode allows the access to integrated XBUS peripherals via the external bus interface pins in application specific versions of the ST10R163.

This mode is used for special emulator purposes and is of no use in basic ST10R163 devices, so in this case P0L.0 should be held high.

Default: Emulation Mode is off.

Adapt Mode

Pin P0L.1 (ADP) selects the Adapt Mode, when low during reset. In this mode the ST10R163 goes into a passive state, which is similar to its state during reset. The pins of the ST10R163 float to tristate or are deactivated via internal pullup/pull-down devices, as described for the reset state. In addition also the $\overline{\text{RSTOUT}}$ pin floats to tristate rather than be driven low, and the on-chip oscillator is switched off.

This mode allows to switch a ST10R163 that is mounted to a board virtually off, so an emulator may control the board's circuitry, even though the original ST10R163 remains in its place. The original ST10R163 also may resume to control the board after a reset sequence with P0L.1 high.

Default: Adapt Mode is off.

Note: When XTAL1 is fed by an external clock generator (while XTAL2 is left open), this clock signal may also be used to drive the emulator device.

However, if a crystal is used, the emulator device's oscillator can use this crystal only, if at least XTAL2 of the original device is disconnected from the circuitry (the output XTAL2 will still be active in Adapt Mode).

System Clock Configuration

Pins P0H.7 to P0H.5 (PLLSEL) selects the System Clock Configuration at reset. The System Clock (CPU Clock) can be selected to be 0.5, 1, 2, 2.5, 3, 4 or 5 times the externally applied frequency at the XTAL-pins. The required system configuration setups are described in more details in chapter "System Clock Generator".

External Bus Type

Pins P0L.7 and P0L.6 (BUSTYP) select the external bus type during reset. This allows to configure the external bus interface of the ST10R163 even for the first code fetch after reset. The two bits are copied into bit field BTYP of register BUSCON0. P0L.7 controls the data bus width, while P0L.6 controls the address output (multiplexed or demultiplexed). This bit field may be changed via software after reset, if required.

PORT0 and PORT1 are automatically switched to the selected bus mode. In multiplexed bus modes PORT0 drives both the 16-bit intra-segment address and the output data, while PORT1 remains in high impedance state as long as no demultiplexed bus is selected via one of the BUSCON registers. In demultiplexed bus modes PORT1 drives the 16-bit intra-segment address, while PORT0 or P0L (according to the selected data bus width) drives the output data.

For a 16-bit data bus $\overline{\text{BHE}}$ is automatically enabled, for an 8-bit data bus $\overline{\text{BHE}}$ is disabled via bit BYTDIS in register SYSCON.

Default: 16-bit data bus with multiplexed addresses.

Note: ST10R165 being a ROMless device, pin $\overline{\text{EA}}$ must be connected to ground (external start).

APPLICATION-SPECIFIC INITIALIZATION ROUTINE(Cont'd)

Chip Select Lines

Pins P0H.2 and P0H.1 (CSSEL) define the number of active chip select signals during reset. This allows to control which pins of Port 6 drive external \overline{CS} signals and which are used for general purpose IO. The two bits are latched in register RPOH.

Default: All 5 chip select lines active ($\overline{CS4} \dots \overline{CS0}$).

Note: The selected number of \overline{CS} signals cannot be changed via software after reset.

Segment Address Lines

Pins P0H.4 and P0H.3 (SALSEL) define the number of active segment address lines during reset. This allows to control which pins of Port 4 drive address lines and which are used for general purpose IO. The two bits are latched in register RPOH. Depending on the system architecture the required address space is chosen and accessible right from the start, so the initialization routine can directly access all locations without prior program-

ming. The required pins of Port 4 are automatically switched to address output mode.

Even if not all segment address lines are enabled on Port 4, the ST10R163 internally uses its complete 24-bit addressing mechanism. This allows to restrict the width of the effective address bus, while still deriving \overline{CS} signals from the complete addresses.

Default: 2-bit segment address (A17...A16) allowing access to 256 KByte.

Note: The selected number of segment address lines cannot be changed via software after reset.

BHE Pin Configuration

Pin P0H.0 defines the write configuration control (bit WRCFG of SYSCON register). If P0H.0 is pulled down during reset, the bit WRCFG is set to '1' and the pin \overline{BHE} is configured as \overline{WRH} (Write High Byte) while pin \overline{WR} is configured as \overline{WRL} (Write Low Byte). Default: pins \overline{WR} and \overline{BHE} retain their normal functions.

13 - POWER REDUCTION MODES

Two different power reduction modes with different levels of power reduction have been implemented in the ST10R163, which may be entered under software control.

In **Idle mode** the CPU is stopped, while the peripherals continue their operation. Idle mode can be terminated by any reset or interrupt request.

In **Power Down mode** both the CPU and the peripherals are stopped. Power Down mode can only be terminated by a hardware reset.

Note: All external bus actions are completed before Idle or Power Down mode is entered. However, Idle or Power Down mode is **not** entered if READY is enabled, but has not been activated (driven low) during the last bus access.

13.1 IDLE MODE

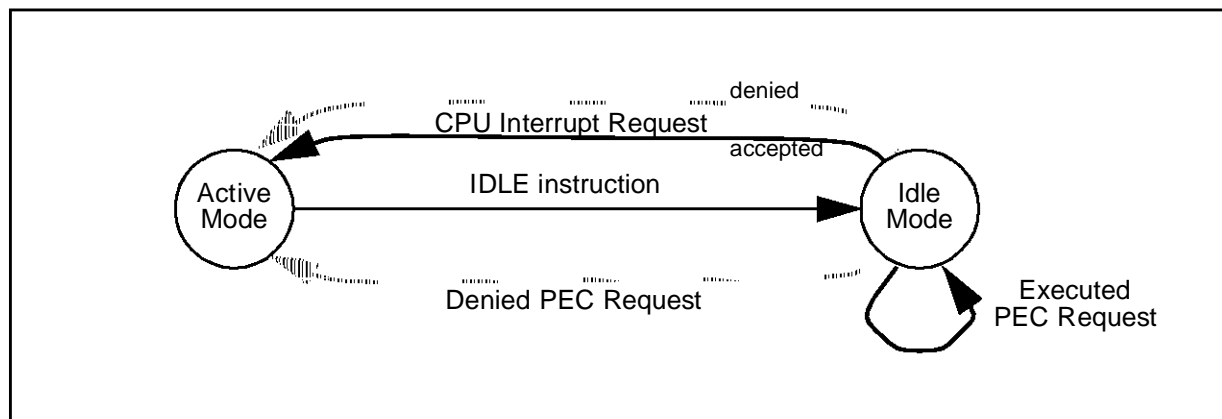
The power consumption of the ST10R163 microcontroller can be decreased by entering Idle mode. In this mode all peripherals, **including** the watchdog timer, continue to operate normally, only the CPU operation is halted.

Idle mode is entered after the IDLE instruction has been executed and the instruction before the IDLE instruction has been completed. To prevent unintentional entry into Idle mode, the IDLE instruction has been implemented as a protected 32-bit instruction.

Idle mode is terminated by interrupt requests from any enabled interrupt source whose individual Interrupt Enable flag was set before the Idle mode was entered, regardless of bit IEN.

For a request selected for CPU interrupt service the associated interrupt service routine is entered if the priority level of the requesting source is higher than the current CPU priority and the interrupt system is globally enabled. After the RETI (Return from Interrupt) instruction of the interrupt service routine is executed the CPU continues executing the program with the instruction following the IDLE instruction. Otherwise, if the interrupt request cannot be serviced because of a too low priority or a globally disabled interrupt system the CPU immediately resumes normal program execution with the instruction following the IDLE instruction.

Figure 10-1. Transitions between Idle mode and active mode



IDLE MODE (Cont'd)

For a request which was programmed for PEC service a PEC data transfer is performed if the priority level of this request is higher than the current CPU priority and the interrupt system is globally enabled. After the PEC data transfer has been completed the CPU remains in Idle mode. Otherwise, if the PEC request cannot be serviced because of a too low priority or a globally disabled interrupt system the CPU does not remain in Idle mode but continues program execution with the instruction following the IDLE instruction.

Idle mode can also be terminated by a Non-Maskable Interrupt, ie. a high to low transition on the NMI pin. After Idle mode has been terminated by an interrupt or NMI request, the interrupt system performs a round of prioritization to determine the highest priority request. In the case of an NMI request, the NMI trap will always be entered.

Any interrupt request whose individual Interrupt Enable flag was set before Idle mode was entered will terminate Idle mode regardless of the current CPU priority. The CPU will **not** go back into Idle mode when a CPU interrupt request is detected, even when the interrupt was not serviced because of a higher CPU priority or a globally disabled interrupt system (IEN='0'). The CPU will **only** go back into Idle mode when the interrupt system is globally enabled (IEN='1') **and** a PEC service on a priority level higher than the current CPU level is requested and executed.

Note: An interrupt request which is individually enabled and assigned to priority level 0 will terminate Idle mode. The associated interrupt vector will not be accessed, however.

The watchdog timer may be used to monitor the Idle mode: an internal reset will be generated if no interrupt or NMI request occurs before the watchdog timer overflows. To prevent the watchdog timer from overflowing during Idle mode it must be programmed to a reasonable time interval before Idle mode is entered.

13.2 POWER DOWN MODE

To further reduce the power consumption the microcontroller can be switched to Power Down mode. Clocking of all internal blocks is stopped, the contents of the internal RAM, however, are preserved through the voltage supplied via the V_{CC} pins. The watchdog timer is stopped in Power Down mode. This mode can only be terminated by an external hardware reset, ie. by asserting a low level on the RSTIN pin. This reset will initialize all SFRs and ports to their default state, but will not change the contents of the internal RAM.

There are two levels of protection against unintentionally entering Power Down mode. First, the PWRDN (Power Down) instruction which is used to enter this mode has been implemented as a protected 32-bit instruction. Second, this instruction is effective **only** if the NMI (Non Maskable Interrupt) pin is externally pulled low while the PWRDN instruction is executed. The microcontroller will enter Power Down mode after the PWRDN instruction has completed.

This feature can be used in conjunction with an external power failure signal which pulls the NMI pin low when a power failure is imminent. The microcontroller will enter the NMI trap routine which can save the internal state into RAM. After the internal state has been saved, the trap routine may set a flag or write a certain bit pattern into specific RAM locations, and then execute the PWRDN instruction. If the NMI pin is still low at this time, Power Down mode will be entered, otherwise program execution continues. During power down the voltage at the V_{CC} pins can be lowered to 2.5 V while the contents of the internal RAM will still be preserved.

The initialization routine (executed upon reset) can check the identification flag or bit pattern within RAM to determine whether the controller was initially switched on, or whether it was properly restarted from Power Down mode.

13.3 STATUS OF OUTPUT PINS DURING IDLE AND POWER DOWN MODE

During Idle mode the CPU clocks are turned off, while all peripherals continue their operation in the normal way. Therefore all ports pins, which are configured as general purpose output pins, output the last data value which was written to their port output latches. If the alternate output function of a port pin is used by a peripheral, the state of the pin is determined by the operation of the peripheral.

Port pins which are used for bus control functions go into that state which represents the inactive state of the respective function (eg. \overline{WR}), or to a defined state which is based on the last bus access (eg. \overline{BHE}). Port pins which are used as external address/data bus hold the address/data which was output during the last external memory access before entry into Idle mode under the following conditions:

P0H outputs the high byte of the last address if a multiplexed bus mode with 8-bit data bus is used, otherwise P0H is floating. P0L is always floating in Idle mode.

PORT1 outputs the lower 16 bits of the last address if a demultiplexed bus mode is used, otherwise the output pins of PORT1 represent the port latch data.

Port 4 outputs the segment address for the last access on those pins that were selected during reset, otherwise the output pins of Port 4 represent the port latch data.

During Power Down mode the oscillator and the clocks to the CPU and to the peripherals are turned off. Like in Idle mode, all port pins which are configured as general purpose output pins output the last data value which was written to their port output latches.

When the alternate output function of a port pin is used by a peripheral the state of this pin is determined by the last action of the peripheral before the clocks were switched off.

The table below summarizes the state of all ST10R163 output pins during Idle and Power Down mode.

ST10R163 Output Pin(s)	Idle Mode	Power Down Mode
ALE	Low	Low
RD, WR	High	High
CLKOUT	Active	High
RSTOUT	1)	1)
P0L	Floating	Floating
P0H	A15...A8 2) / Float	A15...A8 2) / Float
PORT1	Last Address 3) / Port Latch Data	Last Address 3) / Port Latch Data
Port 4	Port Latch Data/Last segment	Port Latch Data/Last segment
BHE	Last value	Last value
HLDA	Last value	Last value
BREQ	High	High
CSx	Last value 4)	Last value 4)
Other Port Output Pins	Port Latch Data / Alternate Function	Port Latch Data / Alternate Function

Note:

1. High if EINIT was executed before entering Idle or Power Down mode, Low otherwise.
2. For multiplexed buses with 8-bit data bus.
3. For demultiplexed buses.
4. The CS signal that corresponds to the last address remains active (low), all other enabled CS signals remain inactive (high).

13 - POWER REDUCTION MODES (ST10R163)

Notes:

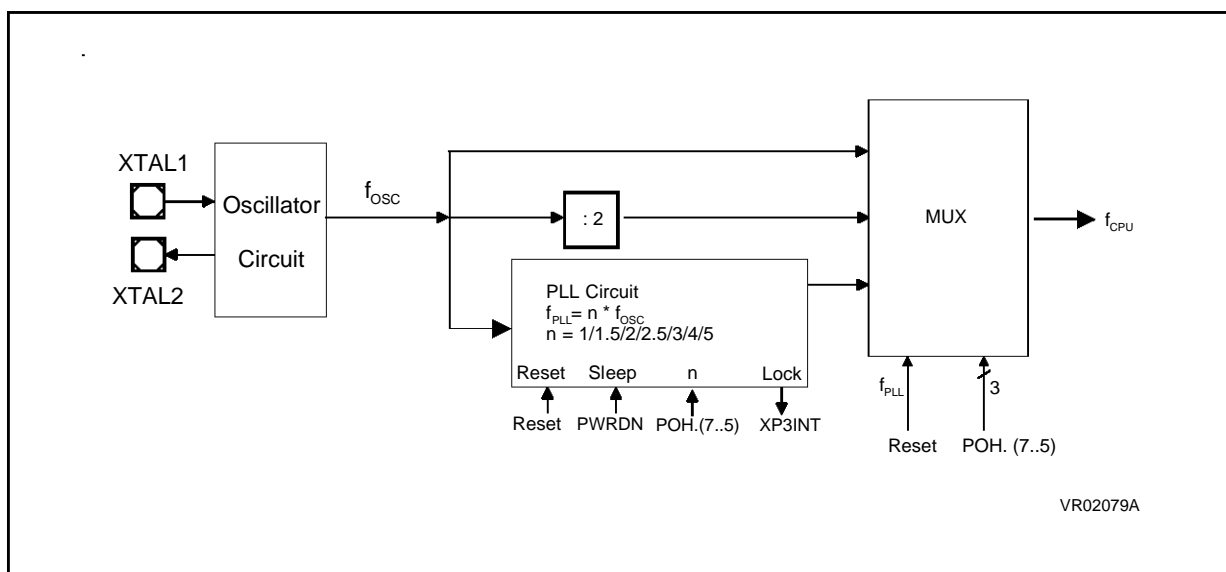
14 - SYSTEM CLOCK GENERATOR

The system clock generator includes an on-chip PLL circuit that allows to operate the ST10R163 on a variety of external clock frequency. This PLL can multiply the external clock frequency by a fixed factor of 1.5, 2, 2.5, 3, 4 or 5, this factor is selected via pins POH.7 through POH.5 during reset. The PLL generates a CPU clock signal with 50% duty cycle. The PLL also provides fail safe mechanisms which allow to detect frequency deviations and to perform emergency actions in case of an external clock failure. The PLL may also be disabled via pins POH.7..5 during reset in which case the ST10R163 will directly run on the external clock or on external clock divided by 2 (see figure below).

14.1 PLL Operation

The PLL is enabled when pin P0H.7 is latched high or low if pin P0H.5 is latched low during reset. The multiply factor of the PLL is set via pins P0H.6 and P0H.5 latched during reset (see table below). On power-up, the PLL provides a stable clock signal on its basic frequency of 2..10 MHz within ca. 0.5 ms after VCC has reached 5 V+/-10%, even if there is no external clock signal. The PLL starts synchronizing with the external clock signal as soon as it is available. Within 2 ms after stable oscillations of the external clock within the specified frequency range, the PLL will be synchronous with this clock at the frequency (Multiply Factor) * f_{OSC} , ie. the PLL locks to the external clock.

Figure 11-1. Block Diagram of System Clock Generator



14 - SYSTEM CLOCK GENERATOR (ST10R163)

System Clock Generator Configuration

P0H.7	P0H.6	P0H.5	Multiply Factor
1	1	1	$f_{CPU} = 4 * f_{OSC}$ (default configuration)
1	1	0	$f_{CPU} = 2 * f_{OSC}$
1	0	1	$f_{CPU} = 3 * f_{OSC}$
1	0	0	$f_{CPU} = 5 * f_{OSC}$
0	1	1	$f_{CPU} = f_{OSC}$ (direct clock drive, PLL is bypassed)
0	1	0	$f_{CPU} = 1.5 * f_{OSC}$
0	0	1	$f_{CPU} = 0.5 * f_{OSC}$ (clock prescaler (divider by 2) is enabled, PLL is bypassed)
0	0	0	$f_{CPU} = 2.5 * f_{OSC}$

Note: If the ST10R163 is required to operate on the desired CPU clock directly after reset, make sure that \overline{RSTIN} remains active until the PLL has locked.

The PLL constantly synchronizes to the external clock signal. Due to the fact that the external frequency is 1/(Multiply Factor)th of the PLL output frequency, the output frequency may be slightly higher or lower than the desired frequency. This jitter is irrelevant for longer time periods. For short periods (1..4 CPU clock cycles), it remains below 5%.

The PLL detects frequency changes of the input clock signal and generates an interrupt request in this case. This warning interrupt indicates that the PLL frequency is no more locked, ie. no more stable. This occurs when the input clock is unstable and especially when the input clock fails completely, ie. due to a broken crystal. In this case, the synchronization mechanism will reduce the PLL output frequency down to the PLL's basic frequency (2..10 MHz). The basic frequency is still generated and allows the CPU to execute emergency actions in case of a loss of external clock.

Note: The lock failure interrupt request (XP3IR) will be generated repeatedly as long as an unstable (or missing) input clock is detected, even though XP3IR is cleared upon entry to the interrupt service handler. The software of the lock failure interrupt service handler should take care of this fact.

14.2 Prescaler Operation

When pins P0.15-13 (P0H.7-5) equal '001' during reset the CPU clock is derived from the internal oscillator (input clock signal) by a 2:1 prescaler. The frequency of f_{CPU} is half the frequency of f_{XTAL} and the high and low time of f_{CPU} (ie. the duration of an individual TCL) is defined by the period of the input clock f_{XTAL} .

Note that the PLL is internally running on its free-running frequency and delivers the clock signal for the Oscillator Watchdog.

14.3 Direct Drive

When pins P0.15-13 (P0H.7-5) equal '011' during reset the on-chip phase locked loop is disabled and the CPU clock is directly driven from the internal oscillator with the input clock signal. The frequency of f_{CPU} directly follows the frequency of f_{XTAL} so the high and low time of f_{CPU} (i.e. the duration of an individual TCL) is defined by the duty cycle of the input clock f_{XTAL} .

Note that the PLL is internally running on its free-running frequency and delivers the clock signal for the Oscillator Watchdog.

14.4 Oscillator Watchdog

When the clock option selected is direct drive or direct drive with prescaler, in order to provide a fail safe mechanism in case of a loss of the external clock, an oscillator watchdog is implemented as an additional functionality of the PLL circuitry. This oscillator watchdog operates as follows:

After reset, the PLL is running on its free-running frequency, and increment the Oscillator Watchdog counter. On each transition of XTAL1 pin, the Oscillator Watchdog is cleared. If an external clock failure occurs, then the Oscillator Watchdog counter overflows (after 16 PLL clock cycles). The CPU clock signal will be switched to the PLL free-running clock signal, and the Oscillator Watchdog Interrupt Request (XP3INT) is flagged. The CPU clock will not switch back to the external clock even if a valid external clock exists on XTAL1 pin. Only a hardware reset can switch the CPU clock source back to direct clock input.

15 - SYSTEM PROGRAMMING

To aid in software development, a number of features has been incorporated into the instruction set of the ST10R163, including constructs for modularity, loops, and context switching. In many cases commonly used instruction sequences have been simplified while providing greater flexibility. The following programming features help to fully utilize this instruction set.

15.1 INSTRUCTIONS PROVIDED AS SUBSETS OF INSTRUCTIONS

In many cases, instructions found in other microcontrollers are provided as subsets of more powerful instructions in the ST10R163. This allows the same functionality to be provided while decreasing the hardware required and decreasing decode complexity. In order to aid assembly programming, these instructions, familiar from other micro-

controllers, can be built in macros, thus providing the same names.

Directly Substitutable Instructions are instructions known from other microcontrollers that can be replaced by the following instructions of the ST10R163:

Modification of System Flags is performed using bit set or bit clear instructions (BSET, BCLR). All bit and word instructions can access the PSW register, so no instructions like CLEAR CARRY or ENABLE INTERRUPTS are required.

External Memory Data Access does not require special instructions to load data pointers or explicitly load and store external data. The ST10R163 provides a Von-Neumann memory architecture and its on-chip hardware automatically detects accesses to internal RAM, GPRs, and SFRs.

Substituted Instruction	ST10R163 Instruction	Function
CLR Rn	AND Rn, #0h	Clear register
CPLB Bit	BMOVN Bit, Bit	Complement bit
DEC Rn	SUB Rn, #1h	Decrement register
INC Rn	ADD Rn, #1h	Increment register
SWAPB Rn	ROR Rn, #8h	Swap bytes within word

15.2 MULTIPLICATION AND DIVISION

Multiplication and division of words and double words is provided through multiple cycle instructions implementing a Booth algorithm. Each instruction implicitly uses the 32-bit register MD (MDL = lower 16 bits, MDH = upper 16 bits). The MDRIU flag (Multiply or Divide Register In Use) in register MDC is set whenever either half of this register is written to or when a multiply/divide instruction is started. It is cleared whenever the MDL register is read. Because an interrupt can be acknowledged before the contents of register MD are saved, this flag is required to alert interrupt routines, which require the use of the multiply/divide hardware, so they can preserve register MD. This register, however, only needs to be saved when an interrupt routine requires use of the MD register and a previous task has not saved the current result. This flag is easily tested by the Jump-on-Bit instructions.

Multiplication or division is simply performed by specifying the correct (signed or unsigned) version of the multiply or divide instruction. The result is then stored in register MD. The overflow flag (V) is set if the result from a multiply or divide instruction is greater than 16 bits. This flag can be used to determine whether both word halves must be transferred from register MD. The high portion of register MD (MDH) must be moved into the register file or memory first, in order to ensure that the MDRIU flag reflects the correct state.

The following instruction sequence performs an unsigned 16 by 16-bit multiplication:

```

SAVE:      JNB   MDRIU, START
                ;Test if MD was in use.

                SCXT  MDC, #0010H
                ;Save and clear control
;register leaving MDRIU set

                ;(only required for
;interrupted multiply/divide ;in-
;structions)

                BSET  SAVED
                ;Indicate the save opera-
tion

                PUSH  MDH
                ;Save previous MD con-
tents...

                PUSH  MDL

```

```

                ;...on system stack
START:      MULU  R1, R2
                ;Multiply 16·16 unsigned,
Sets MDRIU

                JMPR  cc_NV, COPYL
                ;Test for only 16-bit re-
sult

                MOV   R3, MDH
                ;Move high portion of MD

COPYL:     MOV   R4, MDL
                ;Move low portion of MD,
;clears MDRIU

RESTORE:  JNB   SAVED, DONE
                ;Test if MD registers
were ;saved

                POP   MDL
                ;Restore registers

                POP   MDH
                POP   MDC

DONE:      BCLR  SAVED
                ;Multiplication is com-
pleted, ;program continues

```

The above save sequence and the restore sequence after COPYL are only required if the current routine could have interrupted a previous routine which contained a MUL or DIV instruction. Register MDC is also saved because it is possible that a previous routine's Multiply or Divide instruction was interrupted while in progress. In this case the information about how to restart the instruction is contained in this register. Register MDC must be cleared to be correctly initialized for a subsequent multiplication or division. The old MDC contents must be popped from the stack before the RETI instruction is executed.

For a division the user must first move the dividend into the MD register. If a 16/16-bit division is specified, only the low portion of register MD must be loaded. The result is also stored into register MD. The low portion (MDL) contains the integer result of the division, while the high portion (MDH) contains the remainder.

MULTIPLICATION AND DIVISION(Cont'd)

The following instruction sequence performs a 32 by 16-bit division:

```

MOV      MDH, R1
;Move dividend to MD register.
;Sets MDRIU

MOV      MDL, R2
;Move low portion to MD

DIV      R3
;Divide 32/16 signed, R3 holds the
;divisor

JMPR    cc_V, ERROR
;Test for divide overflow

MOV      R3, MDH
;Move remainder to R3

MOV      R4, MDL
;Move integer result to R4. Clears
;MDRIU

```

Whenever a multiply or divide instruction is interrupted while in progress, the address of the interrupted instruction is pushed onto the stack and the MULIP flag in the PSW of the interrupting routine is set. When the interrupt routine is exited with the RETI instruction, this bit is implicitly tested before the old PSW is popped from the stack. If MULIP='1' the multiply/divide instruction is re-read from the location popped from the stack (return address) and will be completed after the RETI instruction has been executed.

Note: The MULIP flag is part of the **context of the interrupted task**. When the interrupting routine does not return to the interrupted task (eg. scheduler switches to another task) the MULIP flag must be set or cleared according to the context of the task that is switched to.

15.3 BCD CALCULATIONS

No direct support for BCD calculations is provided in the ST10R163. BCD calculations are performed by converting BCD data to binary data, performing the desired calculations using standard data types, and converting the result back to BCD data. Due to the enhanced performance of division instructions binary data is quickly converted to BCD data through division by 10d. Conversion from BCD data to binary data is enhanced by multiple bit shift instructions. This provides similar performance compared to instructions directly supporting BCD data types, while no additional hardware is required.

15.4 STACK OPERATIONS

The ST10R163 supports two types of stacks. The system stack is used implicitly by the controller and is located in the internal RAM. The user stack provides stack access to the user in either the internal or external memory. Both stack types grow from high memory addresses to low memory addresses.

Internal System Stack

A system stack is provided to store return vectors, segment pointers, and processor status for procedures and interrupt routines. A system register, SP, points to the top of the stack. This pointer is decremented when data is pushed onto the stack, and incremented when data is popped.

The internal system stack can also be used to temporarily store data or pass it between subroutines or tasks. Instructions are provided to push or pop registers on/from the system stack. However, in most cases the register banking scheme provides the best performance for passing data between multiple tasks.

Note: The system stack allows to store words only. Bytes must either be converted to words or the respective other byte must be disregarded. Register SP can only be loaded with even byte addresses (The LSB of SP is always '0').

STACK OPERATIONS (Cont'd)

Detection of stack overflow/underflow is supported by two registers, STKOV (Stack Overflow Pointer) and STKUN (Stack Underflow Pointer). Specific system traps (Stack Overflow trap, Stack Underflow trap) will be entered whenever the SP reaches either boundary specified in these registers.

The contents of the stack pointer are compared to the contents of the overflow register, whenever the SP is DECREMENTED either by a CALL, PUSH or SUB instruction. An overflow trap will be entered, when the SP value is less than the value in the stack overflow register.

The contents of the stack pointer are compared to the contents of the underflow register, whenever the SP is INCREMENTED either by a RET, POP or ADD instruction. An underflow trap will be entered, when the SP value is greater than the value in the stack underflow register.

Note: When a value is MOVED into the stack pointer, NO check against the overflow/underflow registers is performed.

In many cases the user will place a software reset instruction (SRST) into the stack underflow and overflow trap service routines. This is an easy approach, which does not require special programming. However, this approach assumes that the defined internal stack is sufficient for the current software and that exceeding its upper or lower boundary represents a fatal error.

It is also possible to use the stack underflow and stack overflow traps to cache portions of a larger external stack. Only the portion of the system stack currently being used is placed into the internal memory, thus allowing a greater portion of the internal RAM to be used for program, data or register banking. This approach assumes no error but requires a set of control routines (see below).

Circular (virtual) Stack

This basic technique allows data to be pushed until the overflow boundary of the internal stack is

reached. At this point a portion of the stacked data must be saved into external memory to create space for further stack pushes. This is called "stack flushing". When executing a number of return or pop instructions, the upper boundary (since the stack empties upward to higher memory locations) is reached. The entries that have been previously saved in external memory must now be restored. This is called "stack filling". Because procedure call instructions do not continue to nest infinitely and call and return instructions alternate, flushing and filling normally occurs very infrequently. If this is not true for a given program environment, this technique should not be used because of the overhead of flushing and filling.

The basic mechanism is the transformation of the addresses of a virtual stack area, controlled via registers SP, STKOV and STKUN, to a defined physical stack area within the internal RAM via hardware. This virtual stack area covers all possible locations that SP can point to, ie. 00'F00h through 00'FFFEh. STKOV and STKUN accept the same 4 KByte address range.

The size of the physical stack area within the internal RAM that effectively is used for standard stack operations is defined via bitfield STKSZ in register SYSCON (see below).

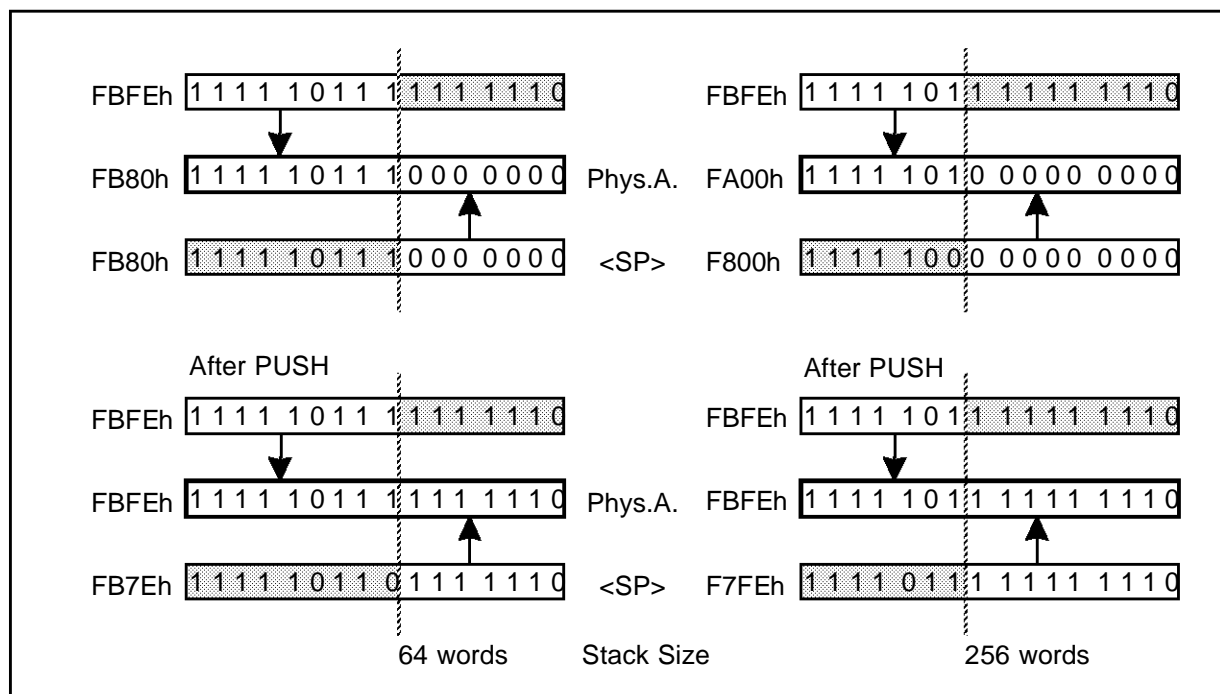
The virtual stack addresses are transformed to physical stack addresses by concatenating the significant bits of the stack pointer register SP (see table) with the complementary most significant bits of the upper limit of the physical stack area (00'FBFEh). This transformation is done via hardware (see figure below).

The reset values (STKOV=FA00h, STKUN=FC00h, SP=FC00h, STKSZ=000b) map the virtual stack area directly to the physical stack area and allow to use internal system stack without any changes, provided that the 256 word area is not exceeded.

<STKSZ>	Stack Size (Words)	Internal RAM Addresses (Words) of Physical Stack	Significant Bits of Stack Pointer SP
0 0 0 b	256	00'FBFEh...00'FA00h (Default after Reset)	SP.8...SP.0
0 0 1 b	128	00'FBFEh...00'FB00h	SP.7...SP.0
0 1 0 b	64	00'FBFEh...00'FB80h	SP.6...SP.0
0 1 1 b	32	00'FBFEh...00'FBC0h	SP.5...SP.0
1 0 0 b	---	Reserved. Do not use this combination.	---
1 0 1 b	---	Reserved. Do not use this combination.	---
1 1 0 b	---	Reserved. Do not use this combination.	---
1 1 1 b	1024	00'FD FEh...00'F600h (Note: No circular stack)	SP.11...SP.0

STACK OPERATIONS (Cont'd)

Figure 12-1. Physical Stack Address Generation



The following example demonstrates the circular stack mechanism which is also an effect of this virtual stack mapping: First, register R1 is pushed onto the lowest physical stack location according to the selected maximum stack size. With the following instruction, register R2 will be pushed onto the highest physical stack location although the SP is decremented by 2 as for the previous push operation.

```
MOV SP, #0F802h
;Set SP before last entry of
;physical stack of 256 words
...
;(SP) = F802h: Physical stack
;address = FA02h
PUSH R1
;(SP) = F800h: Physical stack
;address = FA00h
PUSH R2
;(SP) = F7FEh: Physical stack
;address = FBFEh
```

The effect of the address transformation is that the physical stack addresses wrap around from the end of the defined area to its beginning. When flushing and filling the internal stack, this circular

stack mechanism only requires to move that portion of stack data which is really to be re-used (ie. the upper part of the defined stack area) instead of the whole stack area. Stack data that remain in the lower part of the internal stack need not be moved by the distance of the space being flushed or filled, as the stack pointer automatically wraps around to the beginning of the freed part of the stack area.

Note: This circular stack technique is applicable for stack sizes of 32 to 256 words (STKSZ = '000b' to '0116b'), it does not work with option STKSZ = '111b', which uses the complete internal RAM for system stack.

When a boundary is reached, the stack underflow or overflow trap is entered, where the user moves a predetermined portion of the internal stack to or from the external stack. The amount of data transferred is determined by the average stack space required by routines and the frequency of calls, traps, interrupts and returns. In most cases this will be approximately one quarter to one tenth the size of the internal stack. Once the transfer is complete, the boundary pointers are updated to reflect the newly allocated space on the internal stack. Thus, the user is free to write code without concern for the internal stack limits. Only the execution time required by the trap routines affects user programs.

STACK OPERATIONS (Cont'd)

The following procedure initializes the controller for usage of the circular stack mechanism:

- Specify the size of the physical system stack area within the internal RAM (bitfield STKSZ in register SYSCON).
- Define two pointers, which specify the upper and lower boundary of the external stack. These values are then tested in the stack underflow and overflow trap routines when moving data.
- Set the stack overflow pointer (STKOV) to the limit of the defined internal stack area plus six words (for the reserved space to store two interrupt entries).

The internal stack will now fill until the overflow pointer is reached. After entry into the overflow trap procedure, the top of the stack will be copied to the external memory. The internal pointers will then be modified to reflect the newly allocated space. After exiting from the trap procedure, the internal stack will wrap around to the top of the internal stack, and continue to grow until the new value of the stack overflow pointer is reached.

When the underflow pointer is reached while the stack is emptied the bottom of stack is reloaded from the external memory and the internal pointers are adjusted accordingly.

Linear Stack

The ST10R163 also offers a linear stack option (STKSZ = '111b'), where the system stack may use the complete internal RAM area. This allows to provide a large system stack without requiring procedures to handle data transfers for a circular stack. However, this method also leaves less RAM space for variables or code. The RAM area that may effectively be consumed by the system stack is defined via the STKUN and STKOV pointers. The underflow and overflow traps in this case serve for fatal error detection only.

For the linear stack option all modifiable bits of register SP are used to access the physical stack. Although the stack pointer may cover addresses from 00'F000h up to 00'FFFEh the (physical) system stack must be located within the internal RAM and therefore may only use the address range 00'F600h to 00'FD FEh. It is the user's responsibility to restrict the system stack to the internal RAM range.

Note: Avoid stack accesses within address range 00'F000h to 00'F5FEh (ESFR space and reserved

area) and within address range 00'FE00h and 00'FFFEh (SFR space). Otherwise unpredictable results will occur.

User Stacks

User stacks provide the ability to create task specific data stacks and to off-load data from the system stack. The user may push both bytes and words onto a user stack, but is responsible for using the appropriate instructions when popping data from the specific user stack. No hardware detection of overflow or underflow of a user stack is provided. The following addressing modes allow implementation of user stacks:

[– Rw], Rb or [– Rw], Rw Pre-decrement Indirect Addressing.

Used to push one byte or word onto a user stack. This mode is only available for MOV instructions and can specify any GPR as the user stack pointer.

Rb, [Rw+] or Rw, [Rw+] Post-increment Index Register Indirect Addressing.

Used to pop one byte or word from a user stack. This mode is available to most instructions, but only GPRs R0-R3 can be specified as the user stack pointer.

Rb, [Rw+] or Rw, [Rw+] Post-increment Indirect Addressing.

Used to pop one byte or word from a user stack. This mode is only available for MOV instructions and can specify any GPR as the user stack pointer.

15.5 REGISTER BANKING

Register banking provides the user with an extremely fast method to switch user context. A single machine cycle instruction saves the old bank and enters a new register bank. Each register bank may assign up to 16 registers. Each register bank should be allocated during coding based on the needs of each task. Once the internal memory has been partitioned into a register bank space, internal stack space and a global internal memory area, each bank pointer is then assigned. Thus, upon entry into a new task, the appropriate bank pointer is used as the operand for the SCXT (switch context) instruction. Upon exit from a task a simple POP instruction to the context pointer (CP) restores the previous task's register bank.

15.6 PROCEDURE CALL ENTRY AND EXIT

To support modular programming a procedure mechanism is provided to allow coding of frequently used portions of code into subroutines. The CALL and RET instructions store and restore the value of the instruction pointer (IP) on the system stack before and after a subroutine is executed.

Note: Procedures may be called conditionally with instructions CALLA or CALLI, or be called unconditionally using instructions CALLR or CALLS.

Any data pushed onto the system stack during execution of the subroutine must be popped before the RET instruction is executed.

Passing Parameters on the System Stack

Parameters may be passed via the system stack through PUSH instructions before the subroutine is called, and POP instructions during execution of the subroutine. Base plus offset indirect addressing also permits access to parameters without popping these parameters from the stack during execution of the subroutine. Indirect addressing provides a mechanism of accessing data referenced by data pointers, which are passed to the subroutine.

In addition, two instructions have been implemented to allow one parameter to be passed on the system stack without additional software overhead.

The PCALL (push and call) instruction first pushes the 'reg' operand and the IP contents onto the system stack and then passes control to the subroutine specified by the 'caddr' operand.

When exiting from the subroutine, the RETP (return and pop) instruction first pops the IP and then

the 'reg' operand from the system stack and returns to the calling program.

Cross Segment Subroutine Calls

Calls to subroutines in different segments require the use of the CALLS (call inter-segment subroutine) instruction. This instruction preserves both the CSP (code segment pointer) and IP on the system stack.

Upon return from the subroutine, a RETS (return from inter-segment subroutine) instruction must be used to restore both the CSP and IP. This ensures that the next instruction after the CALLS instruction is fetched from the correct segment.

Note: It is possible to use CALLS within the same segment, but still two words of the stack are used to store both the IP and CSP.

Providing Local Registers for Subroutines

For subroutines which require local storage, the following methods are provided:

Alternate Bank of Registers: Upon entry into a subroutine, it is possible to specify a new set of local registers by executing the SCXT (switch context) instruction. This mechanism does not provide a method to recursively call a subroutine.

Saving and Restoring of Registers: To provide local registers, the contents of the registers which are required for use by the subroutine can be pushed onto the stack and the previous values be popped before returning to the calling routine. This is the most common technique used today and it does provide a mechanism to support recursive procedures. This method, however, requires two machine cycles per register stored on the system stack (one cycle to PUSH the register, and one to POP the register).

PROCEDURE CALL ENTRY AND EXIT(Cont'd)

Use of the System Stack for LocalRegisters: It is possible to use the SP and CP to set up local subroutine register frames. This allows subroutines to dynamically allocate local variables as needed within two machine cycles. A local frame is allocated by simply subtracting the number of required local registers from the SP, and then moving the value of the new SP to the CP.

This operation is supported through the SCXT (switch context) instruction with the addressing mode 'reg, mem'. Using this instruction saves the old contents of the CP on the system stack and moves the value of the SP into CP (see example below). Each local register is then accessed as if it was a normal register. Upon exit from the subroutine, first the old CP must be restored by popping it from the stack and then the number of used local registers must be added to the SP to restore the allocated local space back to the system stack.

Note: The system stack is growing downwards, while the register bank is growing upwards.

The software to provide the local register bank for the example above is very compact:

After entering the subroutine:

```

SUB      SP, #10
;Free 5 words in the current system
;stack

SCXT     CP, SP
;Set the new register bank pointer
    
```

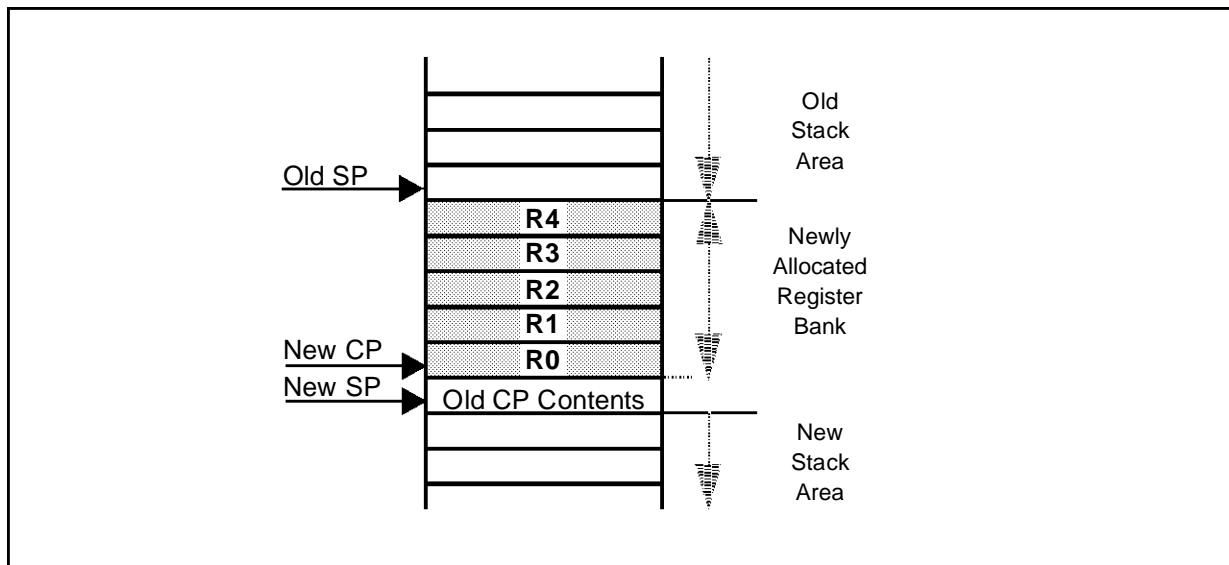
Before exiting the subroutine:

```

POP      CP
;Restore the old register bank

ADD      SP, #10
;Release the 5 word of the current
;system stack
    
```

Figure 12-2 Local Registers



15.7 TABLE SEARCHING

A number of features have been included to decrease the execution time required to search tables. First, branch delays are eliminated by the branch target cache after the first iteration of the loop. Second, in non-sequentially searched tables, the enhanced performance of the ALU allows more complicated hash algorithms to be processed to obtain better table distribution. For sequentially searched tables, the auto-increment indirect addressing mode and the E (end of table) flag stored in the PSW decrease the number of overhead instructions executed in the loop.

The two examples below illustrate searching ordered tables and non-ordered tables, respectively:

```
MOV     R0, #BASE
;Move table base into R0
LOOP:  CMPR1, [R0+
;Compare target to table entry
JMPR   cc_SGT, LOO
;Test whether target has not been
;found
```

Note: The last entry in the table must be greater than the largest possible target.

```
MOV     R0, #BASE
;Move table base into R0
LOOP:  CMPR1, [R0+]
;Compare target to table entry
JMPR   cc_NET, LOO
;Test whether target is not found
;AND the end of table...
;...has not been reached.
```

Note: The last entry in the table must be equal to the lowest signed integer (8000h).

15.8 PERIPHERAL CONTROL AND INTERFACE

All communication between peripherals and the CPU is performed either by PEC transfers to and from internal memory, or by explicitly addressing the SFRs associated with the specific peripherals. After resetting the ST10R163 all peripherals (except the watchdog timer) are disabled and initialized to default values. A desired configuration of a specific peripheral is programmed using MOV instructions of either constants or memory values to specific SFRs. Specific control flags may also be altered via bit instructions.

Once in operation, the peripheral operates autonomously until an end condition is reached at which time it requests a PEC transfer or requests CPU

servicing through an interrupt routine. Information may also be polled from peripherals through read accesses to SFRs or bit operations including branch tests on specific control bits in SFRs. To ensure proper allocation of peripherals among multiple tasks, a portion of the internal memory has been made bit addressable to allow user semaphores. Instructions have also been provided to lock out tasks via software by setting or clearing user specific bits and conditionally branching based on these specific bits.

It is recommended that bit fields in control SFRs are updated using the BFLDH and BFLDL instructions or a MOV instruction to avoid undesired intermediate modes of operation which can occur, when BCLR/BSET or AND/OR instruction sequences are used.

15.9 FLOATING POINT SUPPORT

All floating point operations are performed using software. Standard multiple precision instructions are used to perform calculations on data types that exceed the size of the ALU. Multiple bit rotate and logic instructions allow easy masking and extracting of portions of floating point numbers.

To decrease the time required to perform floating point operations, two hardware features have been implemented in the CPU core. First, the PRIOR instruction aids in normalizing floating point numbers by indicating the position of the first set bit in a GPR. This result can be used to rotate the floating point result accordingly. The second feature aids in properly rounding the result of normalized floating point numbers through the overflow (V) flag in the PSW. This flag is set when a one is shifted out of the carry bit during shift right operations. The overflow flag and the carry flag are then used to round the floating point result based on the desired rounding algorithm.

15.10 TRAP/INTERRUPT ENTRY AND EXIT

Interrupt routines are entered when a requesting interrupt has a priority higher than the current CPU priority level. Traps are entered regardless of the current CPU priority. When either a trap or interrupt routine is entered, the state of the machine is preserved on the system stack and a branch to the appropriate trap/interrupt vector is made.

All trap and interrupt routines require the use of the RETI (return from interrupt) instruction to exit from the called routine. This instruction restores the system state from the system stack and then branches back to the location where the trap or interrupt occurred.

15.11 UNSEPARABLE INSTRUCTION SEQUENCES

The instructions of the ST10R163 are very efficient (most instructions execute in one machine cycle) and even the multiplication and division are interruptable in order to minimize the response latency to interrupt requests (internal and external). In many microcontroller applications this is vital.

Some special occasions, however, require certain code sequences (eg. semaphore handling) to be uninterruptable to function properly. This can be provided by inhibiting interrupts during the respective code sequence by disabling and enabling them before and after the sequence. The necessary overhead may be reduced by means of the ATOMIC instruction, which allows to lock 1...4 instructions to an unseparable code sequence, during which the interrupt system (standard interrupts and PEC requests) and **Class A Traps** (NMI, stack overflow/underflow) are disabled. **Class B Trap** (illegal opcode, illegal bus access, etc.), however, will interrupt the atomic sequence, since it indicates a severe hardware problem. The interrupt inhibit caused by an ATOMIC instruction gets active immediately, ie. no other instruction will enter the pipeline except the one that follows the ATOMIC instruction, and no interrupt request will be serviced in between. All instructions requiring multiple cycles or hold states are regarded as one instruction in this sense (eg. MUL is one instruction). Any instruction type can be used within an unseparable code sequence.

EXAMPLE:

ATOMIC #3

The following 3 instructions are locked (No NOP required)

```
MOV      R0, #1234h
;Instruction 1 (no other instr.
;enters the pipeline!)

MOV      R1, #5678h
;Instruction 2

MUL      R0, R1
;Instruction 3: MUL regarded as one
;instruction

MOV      R2, MDL
;This instruction is out of the
;scope of the ATOMIC instruction
;sequence
```

15.12 OVERRIDING THE DPP ADDRESSING MECHANISM

The standard mechanism to access data locations uses one of the four data page pointers (DPPx), which selects a 16 KByte data page, and a 14-bit offset within this data page. The four DPPs allow immediate access to up to 64 KByte of data. In applications with big data arrays, especially in HLL applications using large memory models, this may require frequent reloading of the DPPs, even for single accesses.

The **EXTP (extend page) instruction** allows to switch to an arbitrary data page for 1...4 instructions without having to change the current DPPs.

EXAMPLE:

```
EXTP      R15, #1
;The override page number is stored
;in R15

MOV      R0, [R14]
;The (14-bit) page offset is stored
;in R14

MOV      R1, [R13]
;This instruction uses the standard
;DPP scheme!
```

The **EXTS (extend segment) instruction** allows to switch to a 64 KByte segment oriented data access scheme for 1...4 instructions without having to change the current DPPs. In this case all 16 bits of the operand address are used as segment offset, with the segment taken from the EXTS instruction. This greatly simplifies address calculation with continuous data like huge arrays in "C".

EXAMPLE

```
EXTS      #15, #1
;The override seg. is #15
; (0F'0000h...0F'FFFh)

MOV      R0, [R14]
;The (16-bit) segment offset is
;stored in R14

MOV      R1, [R13]
;This instruction uses the standard
;DPP scheme!
```

OVERRIDING THE DPP ADDRESSING MECHANISM(Cont'd)

Note: Instructions EXTP and EXTS inhibit interrupts the same way as ATOMIC.

Short Addressing in the Extended SFR (ESFR) Space

The short addressing modes of the ST10R163 (REG or BITOFF) implicitly access the SFR space. The additional ESFR space would have to be accessed via long addressing modes (MEM or [Rw]). The EXTR (extend register) instruction allows to redirect accesses in short addressing modes to the ESFR space for 1...4 instructions, so the additional registers can be accessed this way, too.

The EXTPR and EXTSR instructions combine the DPP override mechanism with the redirection to the ESFR space using a single instruction.

Note: Instructions EXTR, EXTPR and EXTSR inhibit interrupts the same way as ATOMIC. The switching to the ESFR area and data page

overriding is checked by the development tools or handled automatically.

Nested Locked Sequences

Each of the described extension instruction and the ATOMIC instruction starts an internal "extension counter" counting the effected instructions. When another extension or ATOMIC instruction is contained in the current locked sequence this counter is restarted with the value of the new instruction. This allows to construct locked sequences longer than 4 instructions.

Note:

- Interrupt latencies may be increased when using locked code sequences.
- PEC requests are not serviced during idle mode, if the IDLE instruction is part of a locked sequence.

15 - SYSTEM PROGRAMMING (ST10R163)

Notes:

16 - REGISTER SET

This section summarizes all registers, which are implemented in the ST10R163 and explains the description format which is used in the chapters describing the function and layout of the SFRs. For easy reference the registers are ordered according to two different keys (except for GPRs):

- Ordered by address, to check which register a given address references,
- Ordered by register name, to find the location of a specific register.

Register Description Format

In the respective chapters the function and the layout of the SFRs is described in a specific format which provides a number of details about the de-

scribed special function register. The example below shows how to interpret these details.

A word register looks like this:

Elements:

REG_NAMEName of this register

A16 / A8Long 16-bit address / Short 8-bit address

E/SFRRegister space (SFR or ESFR)

(* *) *Register contents after reset

0/1: defined value, X: undefined, U: unchanged (undefined after power up)

hwbitBits that are set/cleared by hardware are marked with a shaded access box

REG_NAME (A16h / A8h)					E/SFR					Reset Value: * * * * h					
15	14	13	12	11	10	9	8	7	6	5	4	3	2	1	0
res.	res.	res.	res.	res.	write only	hw bit	read only	std bit	hw bit	bitfield			bitfield		
-	-	-	-	-	w	rw	r	rw	rw	rw			rw		

Bit	Function
bit(field)name	Explanation of bit(field)name <i>Description of the functions controlled by this bit(field).</i>

A byte register looks like this:

REG_NAME (A16h / A8h)								E/SFR		Reset Value: - - * * h					
15	14	13	12	11	10	9	8	7	6	5	4	3	2	1	0
-								std bit	hw bit	bitfield			bitfield		
-								rw	rw	rw			rw		

16 - REGISTER SET (ST10R163)

16.1 CPU GENERAL PURPOSE REGISTERS (GPRS)

The GPRs form the register bank that the CPU works with. This register bank may be located anywhere within the internal RAM via the Context Pointer (CP). Due to the addressing mechanism, GPR banks can only reside within the internal RAM. All GPRs are bit-addressable.

Name	Physical Address	8-Bit Address	Description	Reset Value
R0	(CP) + 0	F0h	CPU General Purpose (Word) Register R0	UUUUh
R1	(CP) + 2	F1h	CPU General Purpose (Word) Register R1	UUUUh
R2	(CP) + 4	F2h	CPU General Purpose (Word) Register R2	UUUUh
R3	(CP) + 6	F3h	CPU General Purpose (Word) Register R3	UUUUh
R4	(CP) + 8	F4h	CPU General Purpose (Word) Register R4	UUUUh
R5	(CP) + 10	F5h	CPU General Purpose (Word) Register R5	UUUUh
R6	(CP) + 12	F6h	CPU General Purpose (Word) Register R6	UUUUh
R7	(CP) + 14	F7h	CPU General Purpose (Word) Register R7	UUUUh
R8	(CP) + 16	F8h	CPU General Purpose (Word) Register R8	UUUUh
R9	(CP) + 18	F9h	CPU General Purpose (Word) Register R9	UUUUh
R10	(CP) + 20	FAh	CPU General Purpose (Word) Register R10	UUUUh
R11	(CP) + 22	FBh	CPU General Purpose (Word) Register R11	UUUUh
R12	(CP) + 24	FCh	CPU General Purpose (Word) Register R12	UUUUh
R13	(CP) + 26	FDh	CPU General Purpose (Word) Register R13	UUUUh
R14	(CP) + 28	FEh	CPU General Purpose (Word) Register R14	UUUUh
R15	(CP) + 30	FFh	CPU General Purpose (Word) Register R15	UUUUh

CPU GENERAL PURPOSE REGISTERS (GPRS)(Cont'd)

The first 8 GPRs (R7...R0) may also be accessed bitwise. Other than with SFRs, writing to a GPR byte does not affect the other byte of the respec-

tive GPR.

The respective halves of the byte-accessible registers receive special names:

Name	Physical Address	8-Bit Address	Description	Reset Value
RL0	(CP) + 0	F0h	CPU General Purpose (Byte) Register RL0	UUh
RH0	(CP) + 1	F1h	CPU General Purpose (Byte) Register RH0	UUh
RL1	(CP) + 2	F2h	CPU General Purpose (Byte) Register RL1	UUh
RH1	(CP) + 3	F3h	CPU General Purpose (Byte) Register RH1	UUh
RL2	(CP) + 4	F4h	CPU General Purpose (Byte) Register RL2	UUh
RH2	(CP) + 5	F5h	CPU General Purpose (Byte) Register RH2	UUh
RL3	(CP) + 6	F6h	CPU General Purpose (Byte) Register RL3	UUh
RH3	(CP) + 7	F7h	CPU General Purpose (Byte) Register RH3	UUh
RL4	(CP) + 8	F8h	CPU General Purpose (Byte) Register RL4	UUh
RH4	(CP) + 9	F9h	CPU General Purpose (Byte) Register RH4	UUh
RL5	(CP) + 10	FAh	CPU General Purpose (Byte) Register RL5	UUh
RH5	(CP) + 11	FBh	CPU General Purpose (Byte) Register RH5	UUh
RL6	(CP) + 12	FCh	CPU General Purpose (Byte) Register RL6	UUh
RH6	(CP) + 13	FDh	CPU General Purpose (Byte) Register RH6	UUh
RL7	(CP) + 14	FEh	CPU General Purpose (Byte) Register RL7	UUh
RH7	(CP) + 14	FFh	CPU General Purpose (Byte) Register RH7	UUh

16 - REGISTER SET (ST10R163)

16.2 SPECIAL FUNCTION REGISTERS ORDERED BY NAME

The following table lists all SFRs which are implemented in the ST10R163 in alphabetical order. Bit-addressable SFRs are marked with the letter "b" in column "Name". SFRs within the Extended SFR-Space (ESFRs) are marked with the letter "E" in column "Physical Address".

Name	Physical Address	8-Bit Address	Description	Reset Value
ADDRSEL1	FE18h	0Ch	Address Select Register 1	0000h
ADDRSEL2	FE1Ah	0Dh	Address Select Register 2	0000h
ADDRSEL3	FE1Ch	0Eh	Address Select Register 3	0000h
ADDRSEL4	FE1Eh	0Fh	Address Select Register 4	0000h
BUSCON0 b	FF0Ch	86h	Bus Configuration Register 0	0000h
BUSCON1 b	FF14h	8Ah	Bus Configuration Register 1	0000h
BUSCON2 b	FF16h	8Bh	Bus Configuration Register 2	0000h
BUSCON3 b	FF18h	8Ch	Bus Configuration Register 3	0000h
BUSCON4 b	FF1Ah	8Dh	Bus Configuration Register 4	0000h
CAPREL	FE4Ah	25h	GPT2 Capture/Reload Register	0000h
CC8IC b	FF88h	C4h	External Interrupt 0 Control Register	0000h
CC9IC b	FF8Ah	C5h	External Interrupt 1 Control Register	0000h
CC10IC b	FF8Ch	C6h	External Interrupt 2 Control Register	0000h
CC11IC b	FF8Eh	C7h	External Interrupt 3 Control Register	0000h
CC12IC b	FF90h	C8h	External Interrupt 4 Control Register	0000h
CC13IC b	FF92h	C9h	External Interrupt 5 Control Register	0000h
CC14IC b	FF94h	CAh	External Interrupt 6 Control Register	0000h
CC15IC b	FF96h	CBh	External Interrupt 7 Control Register	0000h
CP	FE10h	08h	CPU Context Pointer Register	FC00h
CRIC b	FF6Ah	B5h	GPT2 CAPREL Interrupt Control Register	0000h
CSP	FE08h	04h	CPU Code Segment Pointer Register (8 bits, not directly writeable)	0000h
DP0L b	F100h E	80h	P0L Direction Control Register	00h
DP0H b	F102h E	81h	P0H Direction Control Register	00h
DP1L b	F104h E	82h	P1L Direction Control Register	00h
DP1H b	F106h E	83h	P1H Direction Control Register	00h
DP2 b	FFC2h	E1h	Port 2 Direction Control Register	0000h
DP3 b	FFC6h	E3h	Port 3 Direction Control Register	0000h
DP4 b	FFCAh	E5h	Port 4 Direction Control Register	00h
DP6 b	FFCEh	E7h	Port 6 Direction Control Register	00h
DPP0	FE00h	00h	CPU Data Page Pointer 0 Register (10 bits)	0000h
DPP1	FE02h	01h	CPU Data Page Pointer 1 Register (10 bits)	0001h
DPP2	FE04h	02h	CPU Data Page Pointer 2 Register (10 bits)	0002h
DPP3	FE06h	03h	CPU Data Page Pointer 3 Register (10 bits)	0003h
EXICON b	F1C0h E	E0h	External Interrupt Control Register	0000h

16 - REGISTER SET (ST10R163)

Name		Physical Address	8-Bit Address	Description	Reset Value
MDC	b	FF0Eh	87h	CPU Multiply Divide Control Register	0000h
MDH		FE0Ch	06h	CPU Multiply Divide Register – High Word	0000h
MDL		FE0Eh	07h	CPU Multiply Divide Register – Low Word	0000h
ODP2	b	F1C2h E	E1h	Port 2 Open Drain Control Register	0000h
ODP3	b	F1C6h E	E3h	Port 3 Open Drain Control Register	0000h
ODP6	b	F1CEh E	E7h	Port 6 Open Drain Control Register	00h
ONES	b	FF1Eh	8Fh	Constant Value 1's Register (read only)	FFFFh
P0L	b	FF00h	80h	Port 0 Low Register (Lower half of PORT0)	00h
P0H	b	FF02h	81h	Port 0 High Register (Upper half of PORT0)	00h
P1L	b	FF04h	82h	Port 1 Low Register (Lower half of PORT1)	00h
P1H	b	FF06h	83h	Port 1 High Register (Upper half of PORT1)	00h
P2	b	FFC0h	E0h	Port 2 Register	0000h
P3	b	FFC4h	E2h	Port 3 Register	0000h
P4	b	FFC8h	E4h	Port 4 Register (8 bits)	00h
P5	b	FFA2h	D1h	Port 5 Register (read only)	XXXXh
P6	b	FFCCh	E6h	Port 6 Register (8 bits)	00h
PECC0		FEC0h	60h	PEC Channel 0 Control Register	0000h
PECC1		FEC2h	61h	PEC Channel 1 Control Register	0000h
PECC2		FEC4h	62h	PEC Channel 2 Control Register	0000h
PECC3		FEC6h	63h	PEC Channel 3 Control Register	0000h
PECC4		FEC8h	64h	PEC Channel 4 Control Register	0000h
PECC5		FECAh	65h	PEC Channel 5 Control Register	0000h
PECC6		FECCh	66h	PEC Channel 6 Control Register	0000h
PECC7		FECEh	67h	PEC Channel 7 Control Register	0000h
PSW	b	FF10h	88h	CPU Program Status Word	0000h
RP0H	b	F108h E	84h	System Startup Configuration Register (Rd. only)	XXh
S0BG		FEB4h	5Ah	Serial Channel 0 Baud Rate Generator Reload Register	0000h
S0CON	b	FFB0h	D8h	Serial Channel 0 Control Register	0000h
S0EIC	b	FF70h	B8h	Serial Channel 0 Error Interrupt Control Register	0000h
S0RBUF		FEB2h	59h	Serial Channel 0 Receive Buffer Register (read only)	XXXXh
S0RIC	b	FF6Eh	B7h	Serial Channel 0 Receive Interrupt Control Register	0000h
S0TBIC	b	F19Ch E	CEh	Serial Channel 0 Transmit Buffer Interrupt Control Register	0000h
S0TBUF		FEB0h	58h	Serial Channel 0 Transmit Buffer Register (write only)	0000h
S0TIC	b	FF6Ch	B6h	Serial Channel 0 Transmit Interrupt Control Register	0000h
SP		FE12h	09h	CPU System Stack Pointer Register	FC00h
STKOV		FE14h	0Ah	CPU Stack Overflow Pointer Register	FA00h
STKUN		FE16h	0Bh	CPU Stack Underflow Pointer Register	FC00h

16 - REGISTER SET (ST10R163)

Name	Physical Address	8-Bit Address	Description	Reset Value
SYSCON	b FF12h	89h	CPU System Configuration Register	0XX0h ¹⁾
T2	FE40h	20h	GPT1 Timer 2 Register	0000h
T2CON	b FF40h	A0h	GPT1 Timer 2 Control Register	0000h
T2IC	b FF60h	B0h	GPT1 Timer 2 Interrupt Control Register	0000h
T3	FE42h	21h	GPT1 Timer 3 Register	0000h
T3CON	b FF42h	A1h	GPT1 Timer 3 Control Register	0000h
T3IC	b FF62h	B1h	GPT1 Timer 3 Interrupt Control Register	0000h
T4	FE44h	22h	GPT1 Timer 4 Register	0000h
T4CON	b FF44h	A2h	GPT1 Timer 4 Control Register	0000h
T4IC	b FF64h	B2h	GPT1 Timer 4 Interrupt Control Register	0000h
T5	FE46h	23h	GPT2 Timer 5 Register	0000h
T5CON	b FF46h	A3h	GPT2 Timer 5 Control Register	0000h
T5IC	b FF66h	B3h	GPT2 Timer 5 Interrupt Control Register	0000h
T6	FE48h	24h	GPT2 Timer 6 Register	0000h
T6CON	b FF48h	A4h	GPT2 Timer 6 Control Register	0000h
T6IC	b FF68h	B4h	GPT2 Timer 6 Interrupt Control Register	0000h
TFR	b FFAC h	D6h	Trap Flag Register	0000h
WDT	FEAEh	57h	Watchdog Timer Register (read only)	0000h
WDTCON	b FFAEh	D7h	Watchdog Timer Control Register	000Xh ²⁾
XP1IC	b F18Eh E	C7h	X-Peripheral 1 Interrupt Control Register	0000h
XP3IC	b F19Eh E	CFh	X-Peripheral 3 Interrupt Control Register	0000h
ZEROS	b FF1Ch	8Eh	Constant Value 0's Register (read only)	0000h

Note:

- 1) The system configuration is selected during reset.
- 2) Bit WDTR indicates a watchdog timer triggered reset.

16.3 REGISTERS ORDERED BY ADDRESS

The following table lists all SFRs which are implemented in the ST10R163 ordered by their physical address. Bit-addressable SFRs are marked with

the letter "b" in column "Name". SFRs within the Extended SFR-Space (ESFRs) are marked with the letter "E" in column "Physical Address".

Name	Physical Address	8-Bit Address	Description	Reset Value
DP0L	b F100h E	80h	P0L Direction Control Register	00h
DPOH	b F102h E	81h	P0H Direction Control Register	00h
DP1L	b F104h E	82h	P1L Direction Control Register	00h
DP1H	b F106h E	83h	P1H Direction Control Register	00h
RP0H	b F108h E	84h	System Startup Configuration Register (Rd. only)	XXh
XP1I	b F18Eh E	C7h	X-Peripheral 1 Interrupt Control Register	0000h
S0TBIC	b F19Ch E	CEh	Serial Channel 0 Transmit Buffer Interrupt Control Register	0000h
XP3IC	b F19Eh E	CFh	X-Peripheral 3 Interrupt Control Register	0000h
EXICON	b F1C0h E	E0h	External Interrupt Control Register	0000h
ODP2	b F1C2h E	E1h	Port 2 Open Drain Control Register	0000h
ODP	b F1C6h E	E3h	Port 3 Open Drain Control Register	0000h
ODP6	b F1CEh E	E7h	Port 6 Open Drain Control Register	00h
DPP0	FE00h	00h	CPU Data Page Pointer 0 Register (10 bits)	0000h
DPP1	FE02h	01h	CPU Data Page Pointer 1 Register (10 bits)	0001h
DPP2	FE04h	02h	CPU Data Page Pointer 2 Register (10 bits)	0002h
DPP3	FE06h	03h	CPU Data Page Pointer 3 Register (10 bits)	0003h
CSP	FE08h	04h	CPU Code Segment Pointer Register (8 bits, not directly writeable)	0000h
MDH	FE0Ch	06h	CPU Multiply Divide Register – High Word	0000h
MDL	FE0Eh	07h	CPU Multiply Divide Register – Low Word	0000h
CP	FE10h	08h	CPU Context Pointer Register	FC00h
SP	FE12h	09h	CPU System Stack Pointer Register	FC00h
STKOV	FE14h	0Ah	CPU Stack Overflow Pointer Register	FA00h
STKUN	FE16h	0Bh	CPU Stack Underflow Pointer Register	FC00h
ADDRSEL1	FE18h	0Ch	Address Select Register 1	0000h
ADDRSEL2	FE1Ah	0Dh	Address Select Register 2	0000h
ADDRSEL3	FE1Ch	0Eh	Address Select Register 3	0000h
ADDRSEL4	FE1Eh	0Fh	Address Select Register 4	0000h
T2	FE40h	20h	GPT1 Timer 2 Register	0000h
T3	FE42h	21h	GPT1 Timer 3 Register	0000h
T4	FE44h	22h	GPT1 Timer 4 Register	0000h
T5	FE46h	23h	GPT2 Timer 5 Register	0000h
T6	FE48h	24h	GPT2 Timer 6 Register	0000h
CAPREL	FE4Ah	25h	GPT2 Capture/Reload Register	0000h

16 - REGISTER SET (ST10R163)

Name	Physical Address	8-Bit Address	Description	Reset Value
WDT	FEAEh	57h	Watchdog Timer Register (read only)	0000h
S0TBUF	FEB0h	58h	Serial Channel 0 Transmit Buffer Register (write only)	0000h
S0RBUF	FEB2h	59h	Serial Channel 0 Receive Buffer Register (read only)	XXXh
S0BG	FEB4h	5Ah	Serial Channel 0 Baud Rate Generator Reload Register	0000h
PECC0	FEC0h	60h	PEC Channel 0 Control Register	0000h
PECC1	FEC2h	61h	PEC Channel 1 Control Register	0000h
PECC2	FEC4h	62h	PEC Channel 2 Control Register	0000h
PECC3	FEC6h	63h	PEC Channel 3 Control Register	0000h
PECC4	FEC8h	64h	PEC Channel 4 Control Register	0000h
PECC5	FECAh	65h	PEC Channel 5 Control Register	0000h
PECC6	FECCh	66h	PEC Channel 6 Control Register	0000h
PECC7	FECEh	67h	PEC Channel 7 Control Register	0000h
P0L	b FF00h	80h	Port 0 Low Register (Lower half of PORT0)	00h
POH	b FF02h	81h	Port 0 High Register (Upper half of PORT0)	00h
P1L	b FF04h	82h	Port 1 Low Register (Lower half of PORT1)	00h
P1H	b FF06h	83h	Port 1 High Register (Upper half of PORT1)	00h
BUSCON0	b FF0Ch	86h	Bus Configuration Register 0	0000h
MDC	b FF0Eh	87h	CPU Multiply Divide Control Register	0000h
PSW	b FF10h	88h	CPU Program Status Word	0000h
SYSCON	b FF12h	89h	CPU System Configuration Register	0XX0h ¹⁾
BUSCON1	b FF14h	8Ah	Bus Configuration Register 1	0000h
BUSCON2	b FF16h	8Bh	Bus Configuration Register 2	0000h
BUSCON3	b FF18h	8Ch	Bus Configuration Register 3	0000h
BUSCON4	b FF1Ah	8Dh	Bus Configuration Register 4	0000h
ZEROS	b FF1Ch	8Eh	Constant Value 0's Register (read only)	0000h
ONES	b FF1Eh	8Fh	Constant Value 1's Register (read only)	FFFh
T2CON	b FF40h	A0h	GPT1 Timer 2 Control Register	0000h
T3CON	b FF42h	A1h	GPT1 Timer 3 Control Register	0000h
T4CON	b FF44h	A2h	GPT1 Timer 4 Control Register	0000h
T5CON	b FF46h	A3h	GPT2 Timer 5 Control Register	0000h
T6CON	b FF48h	A4h	GPT2 Timer 6 Control Register	0000h
T2IC	b FF60h	B0h	GPT1 Timer 2 Interrupt Control Register	0000h
T3IC	b FF62h	B1h	GPT1 Timer 3 Interrupt Control Register	0000h
T4IC	b FF64h	B2h	GPT1 Timer 4 Interrupt Control Register	0000h
T5IC	b FF66h	B3h	GPT2 Timer 5 Interrupt Control Register	0000h
T6IC	b FF68h	B4h	GPT2 Timer 6 Interrupt Control Register	0000h
CRIC	b FF6Ah	B5h	GPT2 CAPREL Interrupt Control Register	0000h

16 - REGISTER SET (ST10R163)

Name		Physical Address	8-Bit Address	Description	Reset Value
S0TIC	b	FF6Ch	B6h	Serial Channel 0 Transmit Interrupt Control Register	0000h
S0RIC	b	FF6Eh	B7h	Serial Channel 0 Receive Interrupt Control Register	0000h
S0EIC	b	FF70h	B8h	Serial Channel 0 Error Interrupt Control Register	0000h
CC8IC	b	FF88h	C4h	External Interrupt 0 Control Register	0000h
CC9IC	b	FF8Ah	C5h	External Interrupt 1 Control Register	0000h
CC10IC	b	FF8Ch	C6h	External Interrupt 2 Control Register	0000h
CC11IC	b	FF8Eh	C7h	External Interrupt 3 Control Register	0000h
CC12IC	b	FF90h	C8h	External Interrupt 4 Control Register	0000h
CC13IC	b	FF92h	C9h	External Interrupt 5 Control Register	0000h
CC14IC	b	FF94h	CAh	External Interrupt 6 Control Register	0000h
CC15IC	b	FF96h	CBh	External Interrupt 7 Control Register	0000h
P5	b	FFA2h	D1h	Port 5 Register (read only)	XXXXh
TFR	b	FFACh	D6h	Trap Flag Register	0000h
WDTCN	b	FFAEh	D7h	Watchdog Timer Control Register	000Xh ²⁾
S0CON	b	FFB0h	D8h	Serial Channel 0 Control Register	0000h
P2	b	FFC0h	E0h	Port 2 Register	0000h
DP2	b	FFC2h	E1h	Port 2 Direction Control Register	0000h
P3	b	FFC4h	E2h	Port 3 Register	0000h
DP3	b	FFC6h	E3h	Port 3 Direction Control Register	0000h
P4	b	FFC8h	E4h	Port 4 Register (8 bits)	00h
DP4	b	FFCAh	E5h	Port 4 Direction Control Register	00h
P6	b	FFCCh	E6h	Port 6 Register (8 bits)	00h
DP6	b	FFCEh	E7h	Port 6 Direction Control Register	00h

Note:

- 1) The system configuration is selected during reset.
- 2) Bit WDTR indicates a watchdog timer triggered reset.

16 - REGISTER SET (ST10R163)

Notes:

17 - INSTRUCTION SET SUMMARY

This chapter briefly summarizes the ST10R163's instructions ordered by instruction classes. This provides a basic understanding of the ST10R163's instruction set, the power and versatility of the instructions and their general usage.

A detailed description of each single instruction, including its operand data type, condition flag settings, addressing modes, length (number of bytes) and object code format is provided in the "**Instruction Set Manual**" for the ST10 Family. This manual also provides tables ordering the instruc-

tions according to various criteria, to allow quick references.

Summary of Instruction Classes

Grouping the various instruction into classes aids in identifying similar instructions (eg. SHR, ROR) and variations of certain instructions (eg. ADD, ADDB). This provides an easy access to the possibilities and the power of the instructions of the ST10R163.

Note: The used mnemonics refer to the detailed description.

Arithmetic Instructions

- | | | |
|---|------|-------|
| • Addition of two words or bytes: | ADD | ADDB |
| • Addition with Carry of two words or bytes: | ADDC | ADDCB |
| • Subtraction of two words or bytes: | SUB | SUBB |
| • Subtraction with Carry of two words or bytes: | SUBC | SUBCB |
| • 16*16 bit signed or unsigned multiplication: | MUL | MULU |
| • 16/16 bit signed or unsigned division: | DIV | DIVU |
| • 32/16 bit signed or unsigned division: | DIVL | DIVLU |
| • 1's complement of a word or byte | CPL | CPLB |
| • 2's complement (negation) of a word or byte: | NEG | NEGB |

Logical Instructions

- | | | |
|---|-----|------|
| • Bitwise ANDing of two words or bytes: | AND | ANDB |
| • Bitwise ORing of two words or bytes: | OR | ORB |
| • Bitwise XORing of two words or bytes: | XOR | XORB |

Compare and Loop Control Instructions

- | | | |
|---|-------|-------|
| • Comparison of two words or bytes: | CMP | CMPB |
| • Comparison of two words with post-increment by either 1 or 2: | CMP11 | CMP12 |
| • Comparison of two words with post-decrement by either 1 or 2: | CMPD1 | CMPD2 |

17 - INSTRUCTION SET SUMMARY (ST10R163)

Boolean Bit Manipulation Instructions

- Manipulation of a maskable bit field in either the high or the low byte of a word: BFLDH BFLDL
- Setting a single bit (to '1'): BSET
- Clearing a single bit (to '0'): BCLR
- Movement of a single bit: BMOV
- Movement of a negated bit: BMOVN
- ANDing of two bits: BAND
- ORing of two bits: BOR
- XORing of two bits: BXOR
- Comparison of two bits: BCMP

Shift and Rotate Instructions

- Shifting right of a word: SHR
- Shifting left of a word: SHL
- Rotating right of a word: ROR
- Rotating left of a word: ROL
- Arithmetic shifting right of a word (sign bit shifting): ASHR

Prioritize Instruction

- Determination of the number of shift cycles required to normalize a word operand (floating point support): PRIOR

Data Movement Instructions

- Standard data movement of a word or byte: MOV MOVB
- Data movement of a byte to a word location with either sign or zero byte extension: MOVBS MOVBZ

Note: The data movement instructions can be used with a big number of different addressing modes including indirect addressing and automatic pointer in-/decrementing.

System Stack Instructions

- Pushing of a word onto the system stack: PUSH
- Popping of a word from the system stack: POP
- Saving of a word on the system stack, and then updating the old word with a new value (provided for register bank switching): SCXT

Jump Instructions

- Conditional jumping to an either absolutely, indirectly, or relatively addressed target instruction within the current code segment:
JMPA JMPI JMPR
- Unconditional jumping to an absolutely addressed target instruction within any code segment:
JMPS
- Conditional jumping to a relatively addressed target instruction within the current code segment depending on the state of a selectable bit:
JB JNB
- Conditional jumping to a relatively addressed target instruction within the current code segment depending on the state of a selectable bit with a post-inversion of the tested bit in case of jump taken (semaphore support):
JBC JNBS

Call Instructions

- Conditional calling of an either absolutely or indirectly addressed subroutine within the current code segment:
CALLA CALLI
- Unconditional calling of a relatively addressed subroutine within the current code segment:
CALLR
- Unconditional calling of an absolutely addressed subroutine within any code segment:
CALLS
- Unconditional calling of an absolutely addressed subroutine within the current code segment plus an additional pushing of a selectable register onto the system stack:
PCALL
- Unconditional branching to the interrupt or trap vector jump table in code segment 0:
TRAP

Return Instructions

- Returning from a subroutine within the current code segment:
RET
- Returning from a subroutine within any code segment:
RETS
- Returning from a subroutine within the current code segment plus an additional popping of a selectable register from the system stack:
RETP
- Returning from an interrupt service routine:
RETI

17 - INSTRUCTION SET SUMMARY (ST10R163)

System Control Instructions

- Resetting the ST10R163 via software: SRST
- Entering the Idle mode: IDLE
- Entering the Power Down mode: PWRDN
- Servicing the Watchdog Timer: SRVWDT
- Disabling the Watchdog Timer: DISWDT
- Signifying the end of the initialization routine (pulls pin $\overline{\text{RSTOUT}}$ high, and disables the effect of any later execution of a DISWDT instruction): EINIT

Miscellaneous

- Null operation which requires 2 bytes of storage and the minimum time for execution: NOP
- Definition of an unseparable instruction sequence: ATOMIC
- Switch 'reg', 'bitoff' and 'bitaddr' addressing modes to the Extended SFR space: EXTR
- Override the DPP addressing scheme using a specific data page instead of the DPPs, and optionally switch to ESFR space: EXTP EXTTPR
- Override the DPP addressing scheme using a specific segment instead of the DPPs, and optionally switch to ESFR space: EXTS EXTSR

Note:The ATOMIC and EXT* instructions provide support for uninterruptable code sequences eg. for semaphore operations. They also support data addressing beyond the limits of the current DPPs (except ATOMIC), which is advantageous for bigger memory models in high level languages. Refer to chapter "System Programming" for examples.

Protected Instructions

Some instructions of the ST10R163 which are critical for the functionality of the controller are implemented as so-called Protected Instructions. These protected instructions use the maximum instruction format of 32 bits for decoding, while the regular instructions only use a part of it (eg. the lower 8 bits) with the other bits providing additional information like involved registers. Decoding all 32 bits of a protected doubleword instruction

increases the security in cases of data distortion during instruction fetching. Critical operations like a software reset are therefore only executed if the complete instruction is decoded without an error. This enhances the safety and reliability of a microcontroller system.

18 - DEVICE SPECIFICATION

The device specification describes the electrical parameters of the device. It lists DC characteristics like input, output or supply voltages or currents, and AC characteristics like timing characteristics and requirements.

Other than the architecture, the instruction set or the basic functions of the ST10R163 core and its peripherals, these DC and AC characteristics are subject to changes due to device improvements or specific derivatives of the standard device.

Therefore these characteristics are not contained in this manual, but rather provided in a

separate Data Sheet, which can be updated more frequently.

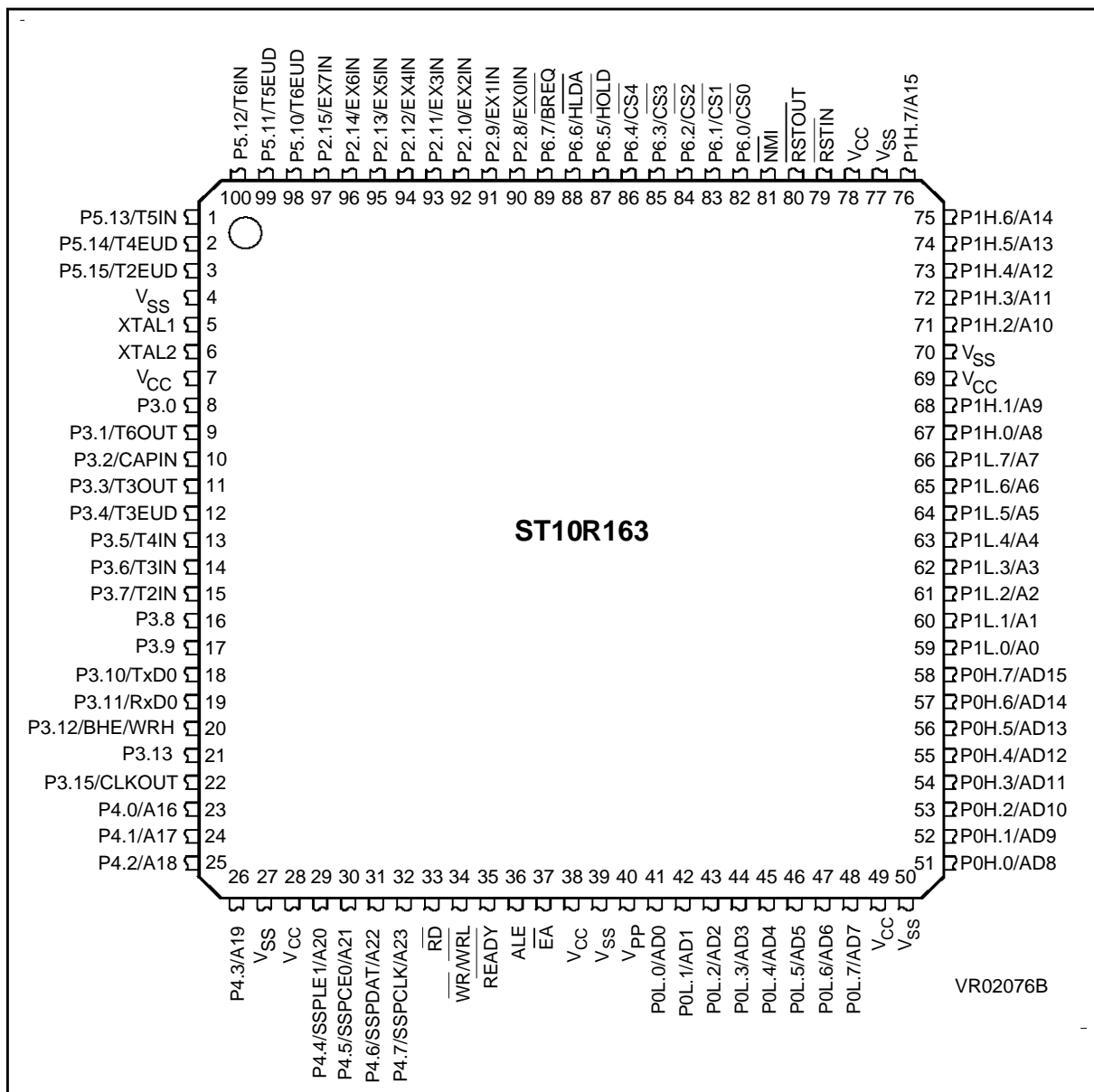
Please refer to the current version of the ST10R163 Data Sheet for all electrical parameters.

Note: In any case the specific characteristics of a device should be verified, before a new design is started. This ensures that the used information is up to date.

The following figure shows the pin diagram of the ST10R163. It shows the location of the different supply and IO pins. A detailed description of all the pins is also found in the Data Sheet.

18 - DEVICE SPECIFICATION (ST10R163)

Figure 15-1. Pin Description of the ST10R163, TQFP-100 Package



Information furnished is believed to be accurate and reliable. However, SGS-THOMSON Microelectronics assumes no responsibility for the consequences of use of such information nor for any infringement of patents or other rights of third parties which may result from its use. No license is granted by implication or otherwise under any patent or patent rights of SGS-THOMSON Microelectronics. Specifications mentioned in this publication are subject to change without notice. This publication supersedes and replaces all information previously supplied. SGS-THOMSON Microelectronics products are not authorized for use as critical components in life support devices or systems without the express written approval of SGS-THOMSON Microelectronics.

©1996 SGS-THOMSON Microelectronics - All rights reserved.

Purchase of I²C Components by SGS-THOMSON Microelectronics conveys a license under the Philips I²C Patent. Rights to use these components in an I²C system is granted provided that the system conforms to the I²C Standard Specification as defined by Philips.

SGS-THOMSON Microelectronics Group of Companies

Australia - Brazil - Canada - China - France - Germany - Hong Kong - Italy - Japan - Korea - Malaysia - Malta - Morocco - The Netherlands - Singapore - Spain - Sweden - Switzerland - Taiwan - Thailand - United Kingdom - U.S.A.