

DATA SHEET

P89C738; P89C739 8-bit Flash microcontrollers

Product specification
Supersedes data of 1997 Dec 15
File under Integrated Circuits, IC20

1998 Apr 07

8-bit Flash microcontrollers**P89C738; P89C739**

CONTENTS	15	RESET
1	15.1	Power-on reset
2	16	MULTIPLE PROGRAMMING ROM (MTP-ROM)
3	16.1	Features
4	16.2	General description
5	16.3	Automatic programming and Automatic chip erase
6	16.4	Command definitions
6.1	16.5	Silicon-ID-Read command
6.2	16.6	Set-up of Automatic chip erase and Automatic erase commands
7	16.7	Set-up of the Automatic program and Program commands
7.1	16.8	Reset command
7.2	16.9	Write operation status
8	16.10	Write operation
8.1	16.11	System considerations
8.2	16.12	Command programming/data programming and erase operation
8.3		
9	17	SPECIAL FUNCTION REGISTERS OVERVIEW
9.1	18	INSTRUCTION SET
9.2	19	LIMITING VALUES
10	20	DC CHARACTERISTICS
10.1	21	AC CHARACTERISTICS
10.2	21.1	Serial Port characteristics
10.3	21.2	Timing waveforms
11	21.3	Timing symbol naming conventions
12	22	PACKAGE OUTLINES
12.1	23	SOLDERING
12.2	23.1	Introduction
13	23.2	DIP
13.1	23.3	PLCC and QFP
13.2	24	DEFINITIONS
13.3	25	LIFE SUPPORT APPLICATIONS
13.4		
13.5		
14		

8-bit Flash microcontrollers

P89C738; P89C739

1 FEATURES

- 80C51 CPU
- 64-kbyte on-chip Multiple Programming ROM (MTP-ROM), expandable externally to 64 kbytes program memory address space
- 512-byte on-chip RAM, expandable externally to 64 kbytes data memory address space
- P89C738 pin outs fully compatible to the standard 8051/8052
- 8-bit I/O ports for P89C738: 4 and P89C739: 6
- Full-duplex UART compatible with the standard 80C51 and the 8052
- Two standard 16-bit timers/event counters
- An additional 16-bit timer (functionally equivalent to the Timer 2 of the 8052)
- On-chip Watchdog Timer (T3)
- 6-source and 6-vector interrupt structure with 2 priority levels
- Up to 3 external interrupt request inputs
- Two programmable power reduction modes: Idle and Power-down
- Termination of Idle mode by any interrupt, external or Watchdog Timer reset
- Wake-up from Power-down by external interrupt, external or Watchdog Timer reset
- Packages,
 - P89C738: DIP40, PLCC44 and QFP44
 - P89C739: PLCC68 and QFP64
- Improved Electromagnetic Compatibility (EMC)

- Frequency range: 3.5 to 40 MHz
- ROM code protection.

2 GENERAL DESCRIPTION

The P89C738 and P89C739 (hereafter generally referred to as P89C738 unless the P89C739 is specifically mentioned) are 8 8-bit Flash microcontrollers manufactured in an advanced CMOS process and is a derivative of the PCB80C51 microcontroller family. This device provides architectural enhancements that make it applicable in a variety of applications in general control systems, especially in those systems which need a large on-chip ROM and RAM capacity.

The P89C738 contains a non-volatile 64-kbyte Multiple Programming ROM (MTP-ROM) program memory, a volatile 512 bytes read/write data memory, four 8-bit I/O ports (six for the P89C739), two 16-bit timer/event counters (identical to the timers of the 80C51), a 16-bit timer (identical to the Timer 2 of the 8052), a multi-source two-priority-level nested interrupt structure, one serial interface (UART), a Watchdog Timer (T3), an on-chip oscillator and timing circuits. For systems that require extra capability, the P89C738 can be expanded using standard TTL compatible memories and logic.

The device also functions as an arithmetic processor having facilities for both binary and BCD arithmetic plus bit-handling capabilities. The P89C738 has the same instruction set as the PCB80C51 which consists of over 100 instructions: 49 one-byte, 46 two-byte and 16 three-byte. With a 16 MHz crystal, 58% of the instructions are executed in 750 ns and 40% in 1.5 μ s. Multiply and divide instructions require 3 μ s.

3 ORDERING INFORMATION

TYPE NUMBER ⁽¹⁾	PACKAGE		
	NAME	DESCRIPTION	VERSION
P89C738ABA	PLCC44	plastic leaded chip carrier; 44 leads	note 2
P89C738ABP	DIP40	plastic dual in-line package; 40 leads (600 mil)	SOT129-1
P89C738ABB	QFP44	plastic quad flat package; 44 leads	note 2
P89C739ABA	PLCC68	plastic leaded chip carrier; 68 leads	note 2
P89C739ABB	QFP64	plastic quad flat package; 64 leads (lead length 1.95 mm); body 14 × 20 × 2.7 mm; high stand-off height	SOT319-1

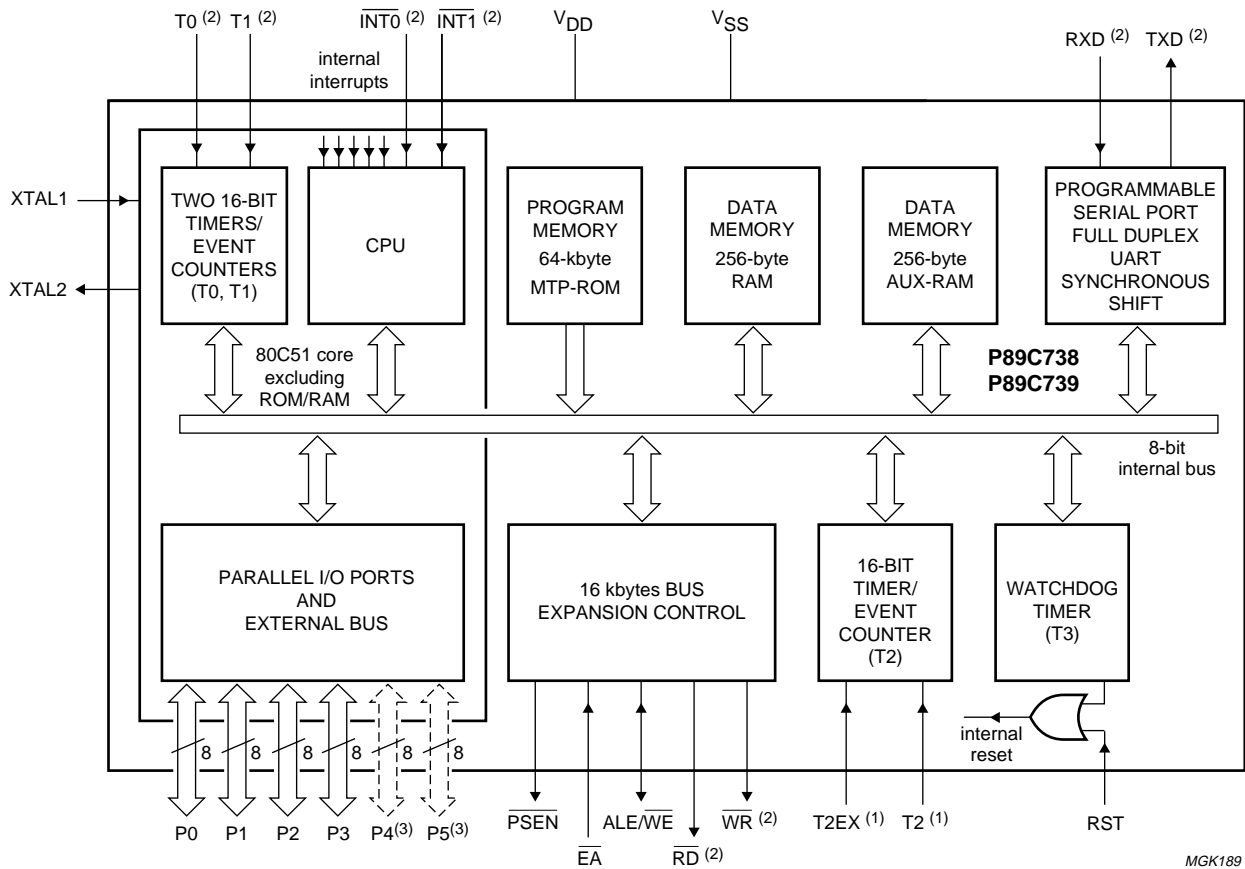
Notes

1. Temperature and frequency range for all types: 0 to 70 °C and 3.5 to 40 MHz.
2. For more information on the package outline of this version, please contact the Philips Semiconductors Sales office.

8-bit Flash microcontrollers

P89C738; P89C739

4 BLOCK DIAGRAM



- (1) Alternative function for Port 1.
- (2) Alternative function for Port 3.
- (3) P4 and P5 are only available on the P89C738ABA and P89C739ABB (PLCC68 and QFP64).

Fig.1 Block diagram.

8-bit Flash microcontrollers

P89C738; P89C739

5 FUNCTIONAL DIAGRAM

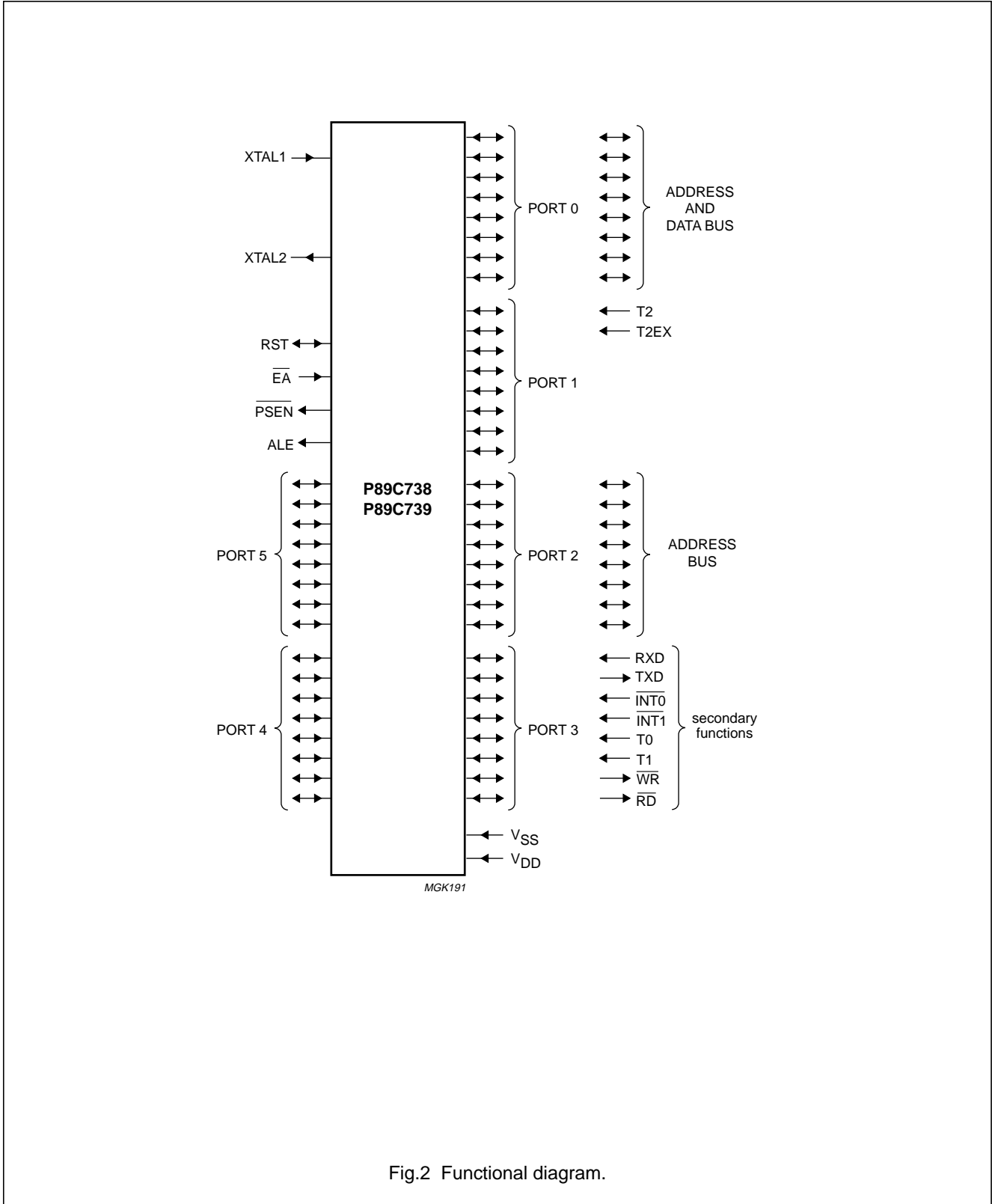


Fig.2 Functional diagram.

8-bit Flash microcontrollers

P89C738; P89C739

6 PINNING INFORMATION

6.1 Pin configuration

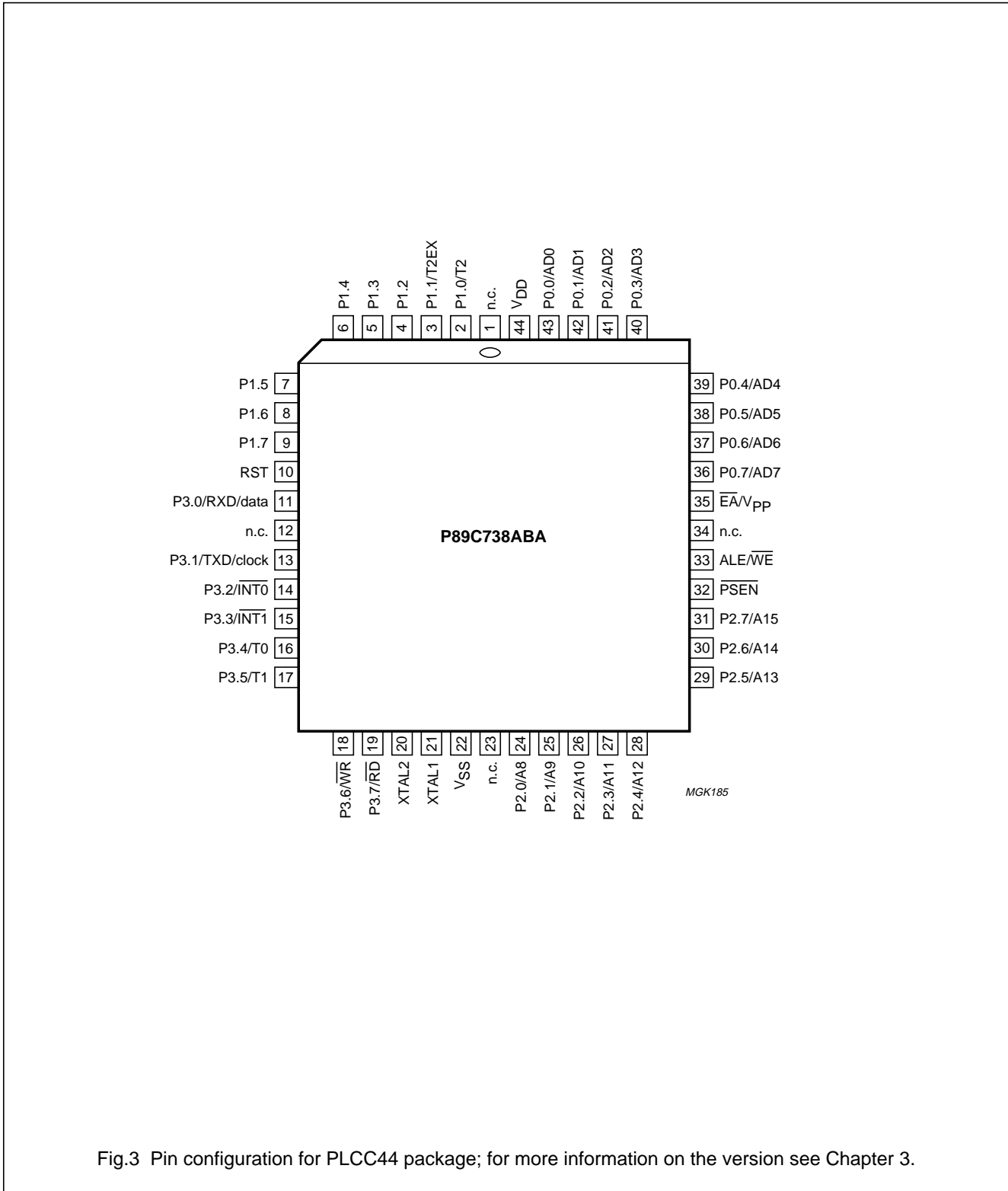


Fig.3 Pin configuration for PLCC44 package; for more information on the version see Chapter 3.

8-bit Flash microcontrollers

P89C738; P89C739

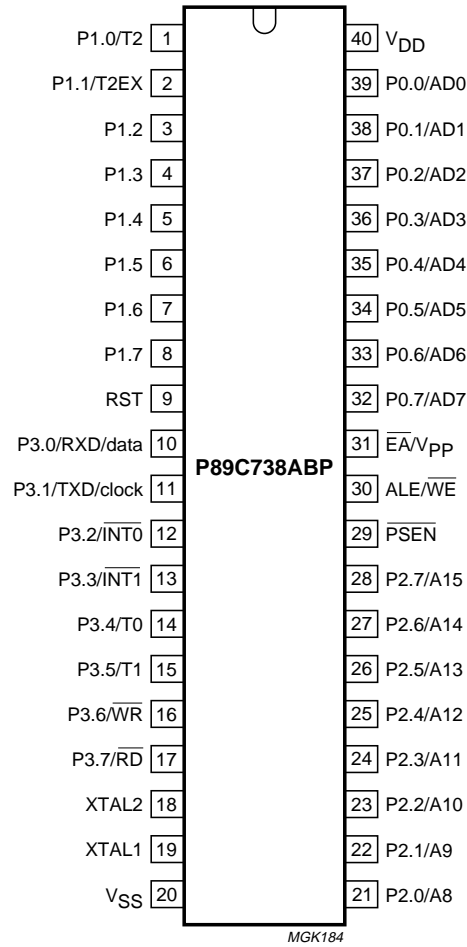


Fig.4 Pin configuration for DIP40 package (SOT129-1).

8-bit Flash microcontrollers

P89C738; P89C739

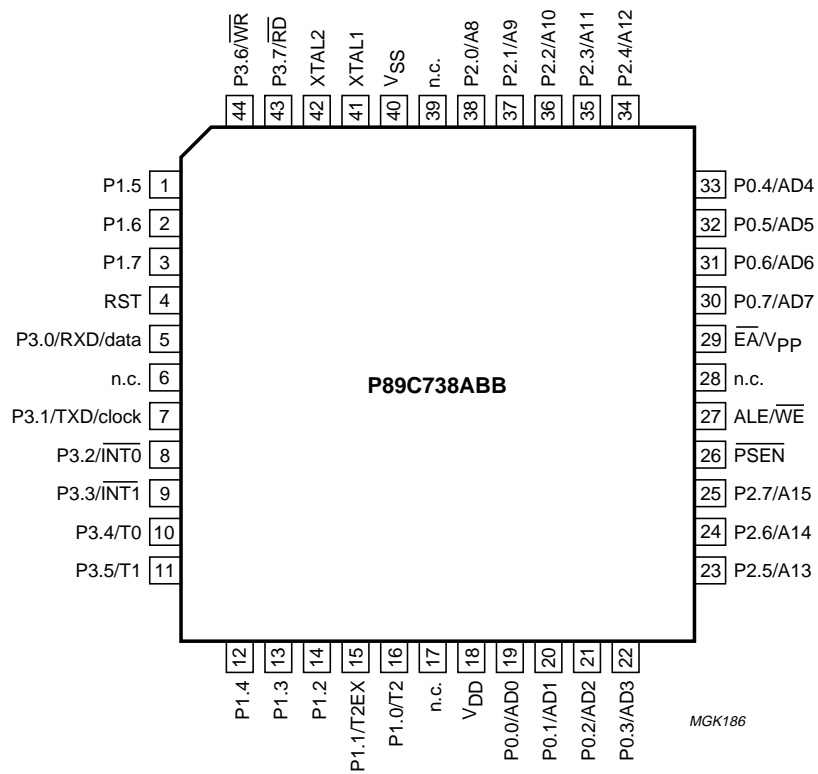


Fig.5 Pin configuration for QFP44 package; for more information on the version see Chapter 3.

8-bit Flash microcontrollers

P89C738; P89C739

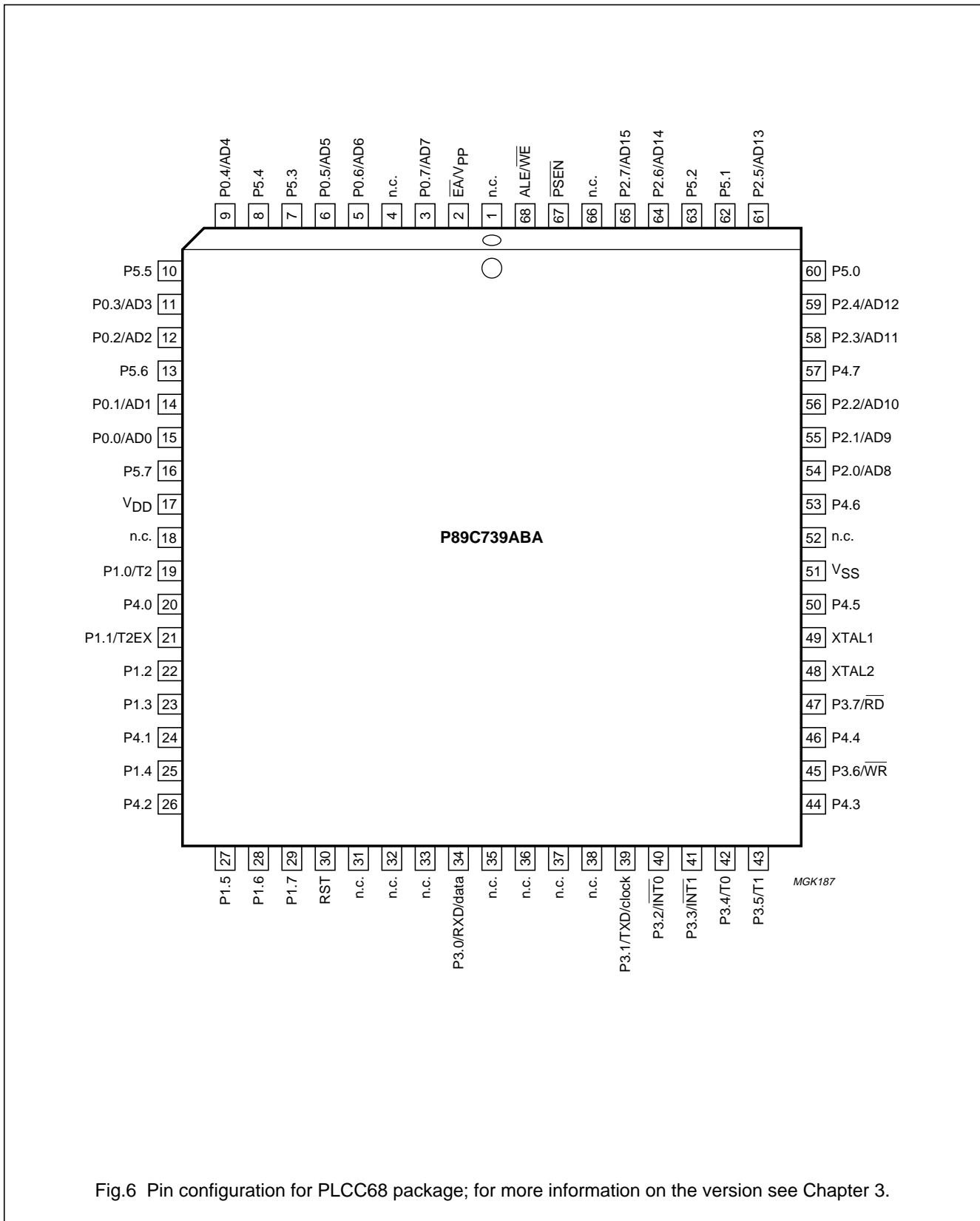


Fig.6 Pin configuration for PLCC68 package; for more information on the version see Chapter 3.

8-bit Flash microcontrollers

P89C738; P89C739

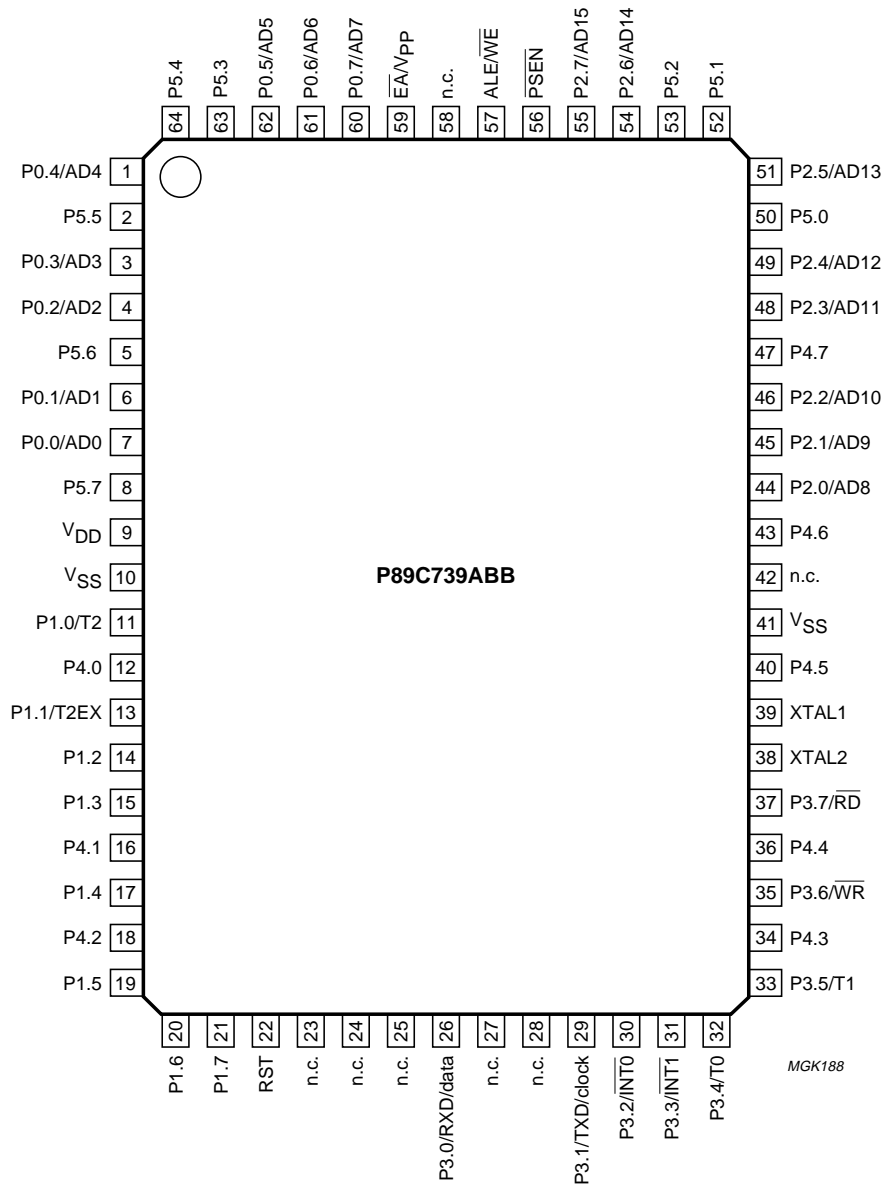


Fig.7 Pin configuration for QFP64 package (SOT319-1).

8-bit Flash microcontrollers

P89C738; P89C739

6.2 Pin description

Table 1 Pin description for DIP40; QFP44; PLC44; QFP64 and PLCC68.

SYMBOL	PIN ⁽¹⁾					DESCRIPTION
	PLCC68	QFP64	PLCC44	QFP44	DIP40	
P1.0/T2	19	11	16	2	1	Port 1: P1.0 to P1.7 ; 8-bit quasi-bidirectional I/O port. Port 1 can sink/source one TTL (= 4 LSTTL) input. It can drive CMOS inputs without external pull-ups. Port 1 alternative functions are: T2 ; Timer/event counter 2 external event counter input (falling edge triggered). T2EX ; Timer/event counter 2 capture/reload trigger or external interrupt 2 input (falling edge triggered).
P1.1/T2EX	21	13	15	3	2	
P1.2	22	14	14	4	3	
P1.3	23	15	13	5	4	
P1.4	25	17	12	6	5	
P1.5	27	19	1	7	6	
P1.6	28	20	2	8	7	
P1.7	29	21	3	9	8	
RST	30	22	4	10	9	Reset ; a HIGH level on this pin for two machine cycles while the oscillator is running, resets the device. An internal pull-down resistor permits power-on reset using only a capacitor connected to V _{DD} . After a Watchdog Timer overflow this pin is pulled HIGH while the internal reset signal is active.
P3.0/RXD/data	34	26	5	11	10	Port 3: P3.0 to P3.7 ; 8-bit quasi-bidirectional I/O Port with internal pull-ups. Port 3 can sink/source one TTL (= 4 LSTTL) input. It can drive CMOS inputs without external pull-ups. Port 3 alternative functions are: RXD/data ; Serial Port data input (asynchronous) or data input/output (synchronous). TXD/clock ; Serial Port data output (asynchronous) or clock output (synchronous). INT0 ; External interrupt 0 or gate control input for Timer/event counter 0. INT1 ; External interrupt 1 or gate control input for Timer/event counter 1. T0 ; external input for Timer/event counter 0. T1 ; external input for Timer/event counter 1. WR ; external data memory write strobe. RD ; external data memory read strobe.
P3.1/TXD/clock	39	29	7	13	11	
P3.2/ $\overline{\text{INT0}}$	40	30	8	14	12	
P3.3/ $\overline{\text{INT1}}$	41	31	9	15	13	
P3.4/T0	42	32	10	16	14	
P3.5/T1	43	33	11	17	15	
P3.6/ $\overline{\text{WR}}$	45	35	44	18	16	
P3.7/ $\overline{\text{RD}}$	47	37	43	19	17	
XTAL2	48	38	42	20	18	Crystal input 2 : output of the inverting amplifier that forms the oscillator. This pin left open-circuit when an external oscillator clock is used (see Figs 18 and 20).
XTAL1	49	39	41	21	19	Crystal input 1 : input to the inverting amplifier that forms the oscillator, and input to the internal clock generator. Receives the external oscillator clock signal when an external oscillator is used (see Figs 18 and 20).
V _{SS}	51	41	40	22	20	Ground : circuit ground potential.

8-bit Flash microcontrollers

P89C738; P89C739

SYMBOL	PIN ⁽¹⁾					DESCRIPTION
	PLCC68	QFP64	PLCC44	QFP44	DIP40	
P2.0/A8 to P2.2/A10	54 to 56	44 to 46	38 to 34	24 to 31	21 to 28	<p>Port 2: P2.0 to P2.7; 8-bit quasi-bidirectional I/O Port with internal pull-ups. Port 2 can sink/source one TTL (= 4 LSTTL) input. It can drive CMOS inputs without external pull-ups.</p> <p>Port 2 alternative functions are: A8 to A15; during access to external memories (RAM/ROM) that use 16-bit addresses (MOVX @DPTR) Port 2 emits the high-order address byte (A8 to A15).</p>
P2.3/A11 to P2.4/A12	58 to 59	48 to 49				
P2.5/A13 to P2.7/A15	61, 64 and 65	51, 54 and 55				
PSEN	67	56	26	32	29	<p>Program Store Enable output: read strobe to the external program memory via Port 0 and Port 2. It is activated twice each machine cycle during fetches from external program memory. When executing out of external program memory two activations of PSEN are skipped during each access to external data memory. PSEN is not activated (remains HIGH) during no fetches from external program memory. PSEN can sink/source 8 LSTTL inputs. It can drive CMOS inputs without external pull-ups.</p>
ALE/ $\overline{\text{WE}}$ ⁽²⁾	68	57	27	33	30	<p>Address Latch Enable output: latches the lower byte of the address during access to external memory in normal operation. It is activated every six oscillator periods except during an external data memory access. ALE can sink/source 8 LSTTL inputs. It can drive CMOS inputs without an external pull-up.</p> <p>$\overline{\text{WE}}$: Write Enable.</p>
$\overline{\text{EA}}/\text{V}_{\text{PP}}$	2	59	29	35	31	<p>External Access input: when during reset, $\overline{\text{EA}}$ is held at a TTL HIGH level, the CPU executes from the internal program ROM. When $\overline{\text{EA}}$ is held at a TTL LOW level during reset, the CPU executes out of external program memory via Port 0 and Port 2. $\overline{\text{EA}}$ is not allowed to float. $\overline{\text{EA}}$ is latched during reset and don't care after reset.</p> <p>V_{PP}: programming supply voltage.</p>
P0.7/AD7 to P0.4/AD4	3, 5, 6 and 9	60, 61, 62 and 1	30 to 33	36 to 43	32 to 39	<p>Port 0: P0.7 to P0.0; 8-bit open-drain bidirectional I/O port. It is also the multiplexed low-order address and data bus during accesses to external memory: AD0 to AD7. During these accesses internal pull-ups are activated. Port 0 can sink/source 8 LSTTL inputs.</p>
P0.3/AD3 to P0.2/AD2	11 to 12	3 to 4	22 to 21			
P0.1/AD1 to P0.0/AD0	14 to 15	6 to 7	20 to 19			
V _{DD}	17	9	18	44	40	<p>Power supply (+5 V) pin for normal operation, Idle mode and Power-down mode.</p>

8-bit Flash microcontrollers

P89C738; P89C739

SYMBOL	PIN ⁽¹⁾					DESCRIPTION
	PLCC68	QFP64	PLCC44	QFP44	DIP40	
P4.0 to P4.7	20, 24, 26, 44, 46, 50, 53 and 57	12, 16, 18, 34, 36, 40, 43 and 47	n.a. ⁽³⁾	n.a.	n.a.	Port 4: P4.0 to P4.7; 8-bit quasi-bidirectional I/O port with internal pull-ups. Port 4 can sink/source 4 LSTTL inputs. It can drive CMOS inputs without external pull-ups.
P5.0 to P5.7	60, 62, 63, 7, 8, 10, 13 and 16	50, 52, 53, 63, 64, 2, 5 and 8	n.a.	n.a.	n.a.	Port 5: P5.0 to P5.7; 8-bit quasi-bidirectional I/O port with internal pull-ups. Port 5 can sink/source 4 LSTTL inputs. It can drive CMOS inputs without external pull-ups.
n.c.	1, 4, 18, 31, 32, 33, 35, 36, 37, 38 52 and 66	23, 24, 25, 27, 28, 42 and 58	6, 17, 28 and 39	1, 12, 23 and 34	n.a.	Not connected.

Notes

- To avoid a 'latch-up' effect at power-on, the voltage on any pin (at any time) must not be higher than $V_{DD} + 0.5\text{ V}$ or lower than $V_{SS} - 0.5\text{ V}$ respectively.
- To prohibit the toggling of the $\overline{\text{ALE}}/\overline{\text{WE}}$ pin (RFI noise reduction) the bit RFI in the PCON register (PCON.5) must be set by software. This bit is cleared on reset and can be cleared by software. When set, $\overline{\text{ALE}}/\overline{\text{WE}}$ pin will be pulled down internally, switching an external address latch to a quiet state. The MOVX instruction will still toggle $\overline{\text{ALE}}/\overline{\text{WE}}$ as a normal MOVX. $\overline{\text{ALE}}/\overline{\text{WE}}$ will retain its normal HIGH value during Idle mode and a LOW value during Power-down mode while in the 'RFI' mode. Additionally during internal access ($\overline{\text{EA}} = 1$) $\overline{\text{ALE}}/\overline{\text{WE}}$ will toggle normally when the address exceeds the internal program memory size. During external access ($\overline{\text{EA}} = 0$) $\overline{\text{ALE}}/\overline{\text{WE}}$ will always toggle normally, whether the flag 'RFI' is set or not.
- n.a. = not applicable.

8-bit Flash microcontrollers

P89C738; P89C739

7 FUNCTIONAL DESCRIPTION

This chapter gives a brief overview of the device. Detailed functional descriptions are given in the following chapters:

- Chapter 8 "Memory organization"
- Chapter 9 "Interrupt system"
- Chapter 10 "Timers/counters"
- Chapter 11 "I/O facilities"
- Chapter 12 "Full duplex Serial Port (UART)"
- Chapter 13 "Reduced power modes"
- Chapter 14 "Oscillator circuit"
- Chapter 15 "Reset"
- Chapter 16 "Multiple Programming ROM (MTP-ROM)".

7.1 General

The P89C738 is a stand-alone high-performance microcontroller designed for use in real time applications such as instrumentation, industrial control and medium to high-end consumer applications.

In addition to the 80C51 standard functions, the device provides a number of dedicated hardware functions for these applications. The P89C738 is a control-oriented CPU with on-chip Program and data memory. It can execute programs with internal or external program memory up to 64 kbytes. It can also access up to 64 kbytes of external data memory. For systems requiring extra capability, the P89C738 can be expanded using standard memories and peripherals.

The P89C738 has two software selectable modes of reduced activity for further power reduction: Idle and Power-down. The Idle mode freezes the CPU while allowing the RAM, timers, serial ports and interrupt system to continue functioning. The Power-down mode saves the RAM contents but freezes the oscillator causing all other chip functions to be inoperative except the Watchdog Timer if it is enabled. The Power-down mode can be terminated by an external reset, a Watchdog Timer overflow and in addition, by either of the two external interrupts.

7.2 Instruction set execution

The P89C738 uses the powerful instruction set of the 80C51. Additional Special Function Registers (SFRs) are incorporated to control the on-chip peripherals. The instruction set consists of 49 single-byte, 46 two-byte and 16 three-byte instructions. When using a 16 MHz oscillator, 64 instructions execute in 750 ns and 45 instructions execute in 1.5 μ s. Multiply and divide instructions execute in 3 μ s (see Chapter 18).

8-bit Flash microcontrollers

P89C738; P89C739

8 MEMORY ORGANIZATION

The Central Processing Unit (CPU) manipulates operands in three memory spaces; these are the 64 kbytes external data memory (of which the lower 256 bytes reside in the internal AUX-RAM), 512 bytes internal data memory (consisting of 256 bytes standard RAM and 256 bytes AUX-RAM) and the 64 kbytes internal and external program memory.

8.1 Program memory

The program memory address space of the P89C738 comprises an internal and an external memory portion. The P89C738 has 64 kbytes of program memory on-chip. The program memory can also be externally addressed up to 64 kbytes. If the \overline{EA} pin is held HIGH, the P89C738 executes out of the internal program memory. If \overline{EA} pin is held LOW, the P89C738 fetches all instructions from the external program memory. Figure 8 illustrates the program memory address space.

The security bit is always set in the P89C738 and P89C739 to protect the ROM code. Table 2 lists the access to the internal and external program memory by the MOVX instructions when the security bit has been set to a logic 1. If the security bit has been set to a logic 0 there are no restrictions for the MOVX instructions.

Table 2 Internal and external program memory access

MOVX INSTRUCTION	PROGRAM MEMORY ACCESS	
	INTERNAL	EXTERNAL
MOVX in internal program memory	YES	YES
MOVX in external program memory	NO	YES

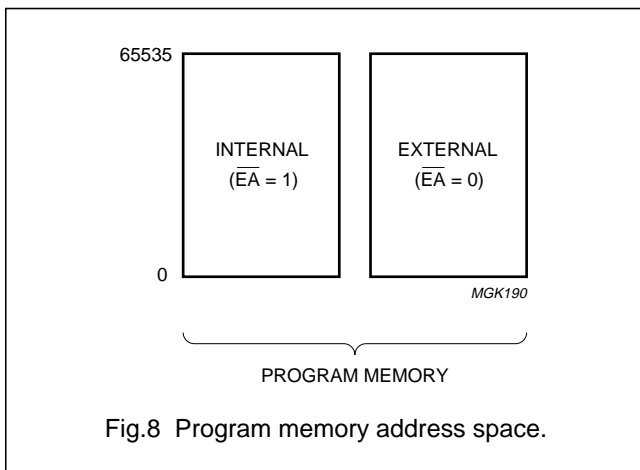


Fig.8 Program memory address space.

8.2 Internal data memory

The internal data memory is divided into three physically separated parts: 256 bytes of RAM, 256 bytes of AUX-RAM, and a 128 bytes Special Function Registers (SFRs) area. These parts can be addressed as follows (see Fig.9 and Table 3):

- RAM locations 0 to 127 can be addressed directly and indirectly as in the 80C51. Address pointers are R0 and R1 of the selected register bank.
- RAM locations 128 to 255 can only be addressed indirectly. Address pointers are R0 and R1 of the selected register bank.
- AUX-RAM locations 0 to 255 are indirectly addressable as the external data memory locations 0 to 255 with the MOVX instructions. Address pointers are R0 and R1 of the selected register bank and DPTR. When executing from internal program memory, an access to AUX-RAM 0 to 255 will not affect the ports Port 0, Port 2, P3.6 and P3.7.
- The SFRs can only be addressed directly in the address range from 128 to 255.

An access to external data memory locations higher than 255 will be performed with the MOVX DPTR instructions in the same way as in the 80C51 structure, i.e. with Port 0 and Port 2 as data/address bus and P3.6 and P3.7 as write and read timing signals. Note that the external data memory cannot be accessed with R0 and R1 as address pointer.

Figure 9 shows the internal and external data memory address space. Chapter 17 shows the Special Function Registers overview. Four 8-bit register banks occupy locations 0 through 31 in the lower RAM area. Only one of these banks may be enabled at a time. The next 16 bytes, locations 32 through 47, contain 128 directly addressable bit locations.

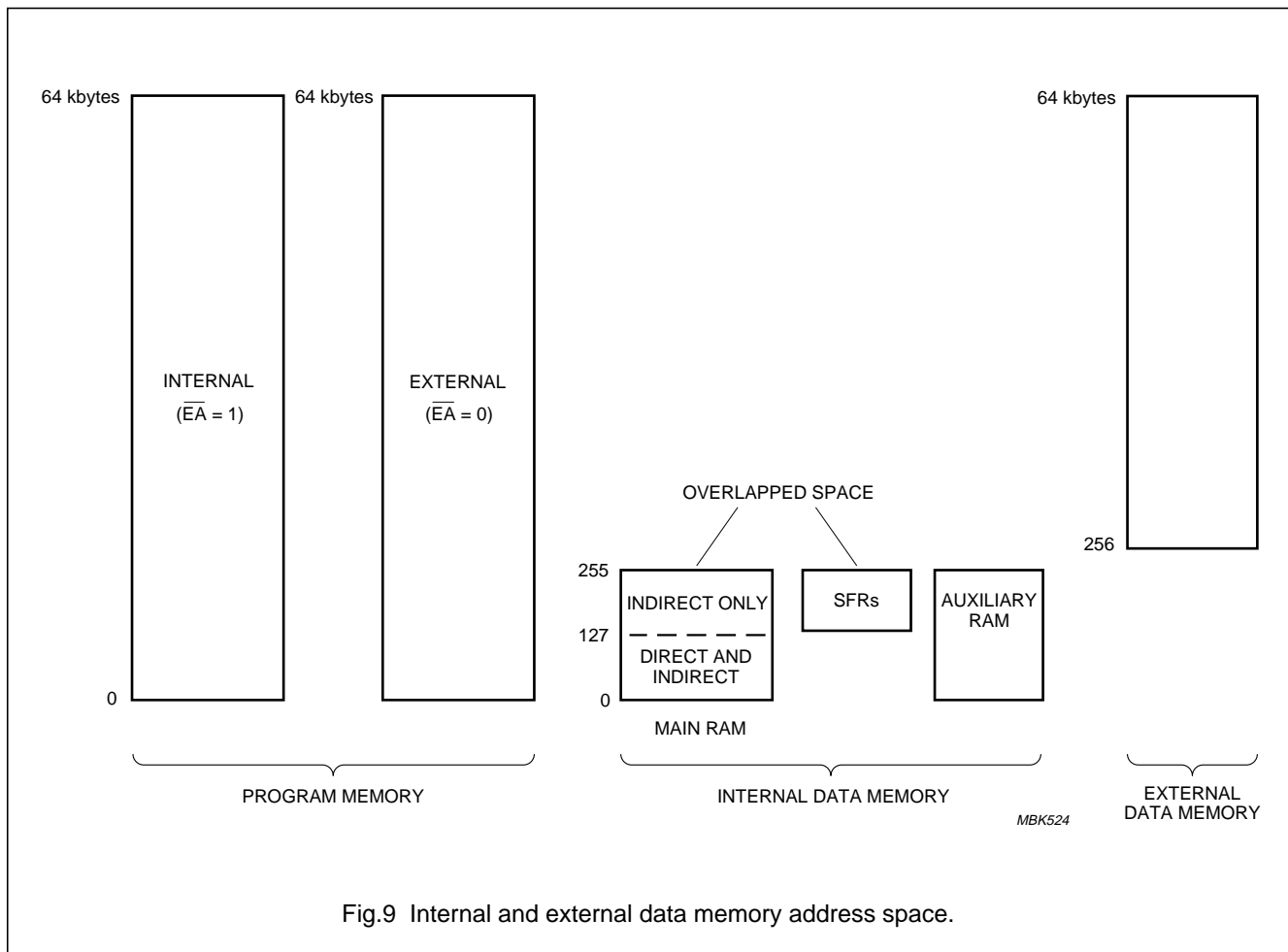
The stack can be located anywhere in the internal 256-byte RAM. The stack depth is only limited by the available internal RAM space of 256 bytes. All registers except the Program Counter and the four 8-bit register banks reside in the SFR address space.

Table 3 Internal data memory access

MEMORY	LOCATION	ADDRESS MODE
RAM	0 to 127	direct and indirect
	128 to 255	indirect only
SFR	128 to 255	direct only
AUX-RAM	0 to 255	indirect only with MOVX

8-bit Flash microcontrollers

P89C738; P89C739



8.3 Addressing

The P89C738 has five modes for addressing:

- Register
- Direct
- Register-Indirect
- Immediate
- Base-Register plus Index-Register-Indirect.

The first three methods can be used for addressing destination operands. Most instructions have a 'destination/source' field that specifies the data type, addressing methods and operands involved. For operations other than MOVs, the destination operand is also a source operand.

Access to memory addresses is as follows:

- Register in one of the four 8-bit register banks through Register, Direct or Register-Indirect addressing

- 512 bytes of internal RAM through Direct or Register-Indirect addressing. Bytes 0 to 127 of internal RAM may be addressed directly/indirectly. Bytes 128 to 255 of internal RAM share their address location with the SFRs and so may only be addressed indirectly as data RAM. Bytes 0 to 255 of AUX-RAM can only be addressed indirectly via MOVX.
- SFR through Direct addressing at address locations 128 to 255
- External data memory through Register-Indirect addressing
- Program memory look-up tables through Base-Register plus Index-Register-Indirect addressing.

8-bit Flash microcontrollers

P89C738; P89C739

9 INTERRUPT SYSTEM

The P89C738 contains the same interrupt structure as the PCB80C51BH, but with a six-source interrupt structure with two priority levels (see Fig.10).

The external interrupts $\overline{INT0}$ and $\overline{INT1}$ can each be either level-activated or transition-activated, depending on bits IT0 and IT1 in SFR TCON. The flags that actually generate these interrupts are bits IE0 and IE1 in TCON. When an external interrupt is generated, the corresponding request flag is cleared by the hardware when the service routine is vectored to, only if the interrupt was transition-activated. If the interrupt was level-activated the external source has to hold the request active until the requested interrupt is actually generated. Then it has to deactivate the request before the interrupt service routine is completed, or else another interrupt will be generated.

The Timer 0 and Timer 1 interrupts are generated by TF0 and TF1, which are set by a roll-over in their respective timer/counter register (except for Timer 0 in Mode 3 of the serial interface). When a timer interrupt is generated, the flag that generated it is cleared by the on-chip hardware when the service routine is vectored to.

The Serial Port interrupt is generated by the logical 'OR' of RI and TI. Neither of these flags is cleared by hardware. The service routine will normally have to determine whether it was RI or TI that generated the interrupt, and the bit will have to be cleared by software.

The Timer 2 interrupt is generated by the logical OR of TF2 and EXF2. Neither of these flags is cleared by hardware. In fact the service routine may have to determine whether it was TF2 or EXF2 that generated the interrupt, and the bit will have to be cleared by software.

An additional (third) external interrupt is available, if Timer 2 is not used as timer/counter or if Timer 2 is used in the baud rate generator mode. That external interrupt 2 is falling-edge triggered. It shares the Timer 2 interrupt vector, interrupt enable and interrupt priority bits. If bit EXEN2 = 1 (T2CON.3), a HIGH-to-LOW transition at pin P1.1/T2EX sets the interrupt request flag EXF2 (T2CON.6) and can be used to generate an external interrupt.

The interrupt vectors are listed in Table 4.

Table 4 Interrupt vectors

SOURCE	PRIORITY WITHIN LEVEL	VECTOR ADDRESS
IE0	1 (highest)	0003H
TF0	2	000BH
IE1	3	0013H
TF1	4	001BH
RI + TI	5	0023H
TF2 + EXF2	6 (lowest)	002BH

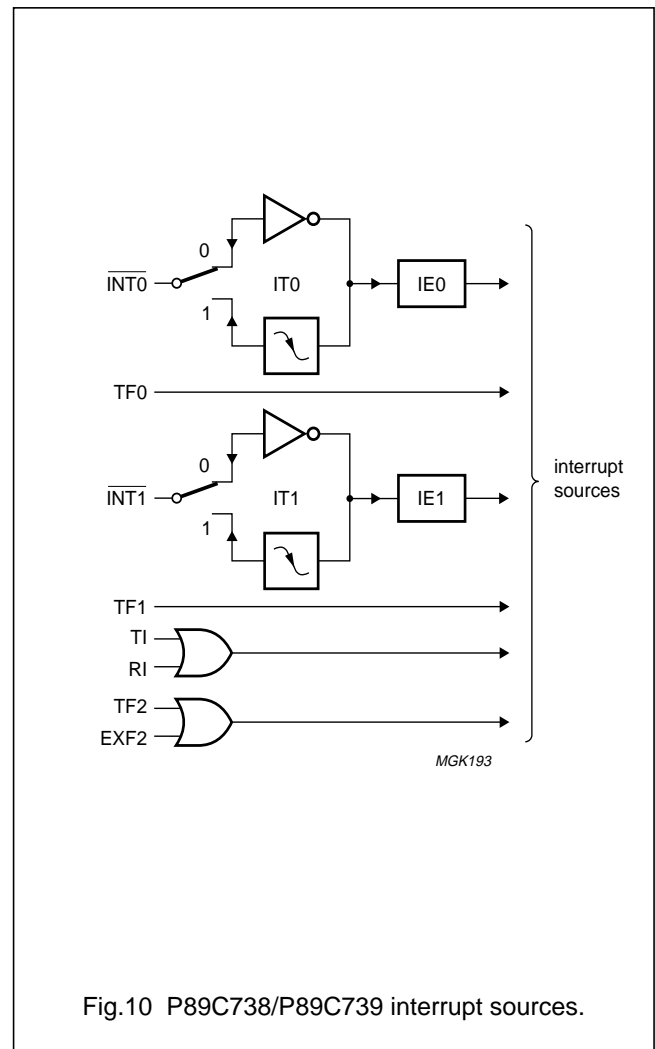


Fig.10 P89C738/P89C739 interrupt sources.

8-bit Flash microcontrollers

P89C738; P89C739

9.1 Interrupt Enable Register (IE)

Table 5 Interrupt Enable Register (SFR address A8H)

7	6	5	4	3	2	1	0
EA	–	ET2	ES	ET1	EX1	ET0	EX0

Table 6 Description of IE bits

BIT	SYMBOL	DESCRIPTION
7	EA	General enable/disable control. If EA = 0, no interrupt is enabled. If EA = 1, any individually enabled interrupt will be accepted.
6	–	reserved
5	ET2	enable Timer 2 interrupt
4	ES	enable Serial Port interrupt
3	ET1	enable Timer 1 interrupt
2	EX1	enable external interrupt 1
1	ET0	enable Timer 0 interrupt
0	EX0	enable external interrupt 0

9.2 Interrupt Priority Register (IP)

Table 7 Interrupt Priority Register (SFR address B8H)

7	6	5	4	3	2	1	0
–	–	PT2	PS	PT1	PX1	PT0	PX0

Table 8 Description of IP bits

BIT	SYMBOL	DESCRIPTION
7	–	reserved
6	–	reserved
5	PT2	Timer 2 interrupt priority level
4	PS	Serial Port interrupt priority level
3	PT1	Timer 1 interrupt priority level
2	PX1	external interrupt 1 priority level
1	PT0	Timer 0 interrupt priority level
0	PX0	external interrupt 0 priority level

8-bit Flash microcontrollers

P89C738; P89C739

10 TIMERS/COUNTERS

The P89C738 contains three 16-bit timer/counters: Timer 0, Timer 1 and Timer 2; and one 8-bit timer, the Watchdog Timer (T3). Timer 0, Timer 1 and Timer 2 may be programmed to carry out the following functions:

- Measure time intervals and pulse durations
- Count events
- Generate interrupt requests.

10.1 Timer 0 and Timer 1

Timers 0 and 1 each have a control bit in SFR TMOD that selects the timer or counter function of the corresponding timer. In the timer function, the register is incremented every machine cycle. Thus, one can think of it as counting machine cycles. Since a machine cycle consists of 12 oscillator periods, the count rate is $\frac{1}{12}$ of the oscillator frequency.

In the counter function, the register is incremented in response to a HIGH-to-LOW transition at the corresponding external input pin, T0 or T1. In this function, the external input is sampled during S5P2 of every machine cycle. When the samples show a HIGH in one cycle and a LOW in the next cycle, the counter is incremented. Thus, it takes two machine cycles (24 oscillator periods) to recognize a HIGH-to-LOW transition. There are no restrictions on the duty cycle of the external input signal, but to ensure that a given level is sampled at least once before it changes, it should be held for at least one full machine cycle.

10.1.1 Timer/Counter Mode Control Register (TMOD)**Table 9** Timer/Counter Mode Control Register (SFR address 89H)

7	6	5	4	3	2	1	0
GATE	C/\bar{T}	M1	M0	GATE	C/\bar{T}	M1	M0

Table 10 Description of TMOD bits for Timer 1 and Timer 0

Timer 0: bit TMOD.0 to TMOD.3; Timer 1: bit TMOD.4 to TMOD.7; n = 0, 1.

BIT	SYMBOL	DESCRIPTION
7 and 3	GATE	Gating control. When set Timer/counter 'n' is enabled only when \overline{INTn} pin is HIGH and control bit TRn (TR1 or TR0) is set. When cleared Timer n is enabled whenever TRn control bit is set.
6 and 2	C/\bar{T}	Timer or Counter Selector. Cleared for Timer operation; input from internal system clock. Set for Counter operation; input from pin Tn (T1 or T0).
5 and 1	M1	Timer 0, Timer 1 mode select; see Table 11.
4 and 0	M0	

Timer 0 and Timer 1 can be programmed independently to operate in one of four modes:

- Mode 0 8-bit timer/counter with divide-by-32 prescaler
- Mode 1 16-bit timer/counter
- Mode 2 8-bit timer/counter with automatic reload
- Mode 3 Timer 0: one 8-bit timer/counter and one 8-bit timer. Timer 1: stopped.

When Timer 0 is in Mode 3, Timer 1 can be programmed to operate in Modes 0, 1 or 2 but cannot set an interrupt request flag and generate an interrupt. However, the overflow from Timer 1 can be used to pulse the Serial Port transmission-rate generator. With a 16 MHz crystal, the counting frequency of these timer/counters is as follows:

- In the timer function, the timer is incremented at a frequency of 1.33 MHz ($\frac{1}{12} \times$ oscillator frequency)
- In the counter function, the frequency handling range for external inputs is 0 to 0.66 MHz.

Both internal and external inputs can be gated to the timer by a second external source for directly measuring pulse duration.

The timers are started and stopped under software control. Each one sets its interrupt request flag when it overflows from all logic 1's to all logic 0's (respectively, the automatic reload value), with the exception of Mode 3 as previously described.

8-bit Flash microcontrollers

P89C738; P89C739

Table 11 Timer 0; Timer 1 mode select

M1	M0	OPERATING
0	0	Timer TL0; TL1 serves as 5-bit prescaler.
0	1	16-bit Timer/Counter TH0; TH1 and TL0; TL1 are cascaded; there is no prescaler.
1	0	8-bit auto-reload Timer/Counter TH0; TH1 holds a value which is to be reloaded into TL0; TL1 each time it overflows.
1	1	Timer 0: TL0 is an 8-bit Timer/Counter controlled by the standard Timer 0 control bits. TH0 is an 8-bit timer only controlled by Timer 1 control bits.
1	1	Timer 1: Timer/Counter 1 stopped.

10.1.2 Timer/Counter Control Register (TCON)

Table 12 Timer/Counter Control Register (SFR address 88H)

7	6	5	4	3	2	1	0
TF1	TR1	TF0	TR0	IE1	IT1	IE0	IT0

Table 13 Description of TCON bits

BIT	SYMBOL	DESCRIPTION
7 and 5	TF1 and TF0	Timer 1 and Timer 0 overflow flags. Set by hardware on Timer/Counter overflow. Cleared by hardware when processor vectors to interrupt routine.
6 and 4	TR1 and TR0	Timer 1 and Timer 0 run control bits. Set/cleared by software to turn Timer/Counter on/off.
3 and 1	IE1 and IE0	Interrupt 1 and Interrupt 0 edge flags. Set by hardware when external interrupt edge detected. Cleared when interrupt processed.
2 and 0	IT1 and IT0	Interrupt 1 and Interrupt 0 type control bits. Set/cleared by software to specify falling edge/LOW level triggered external interrupts.

8-bit Flash microcontrollers

P89C738; P89C739

10.2 Timer 2

Timer 2 is functionally similar to the Timer 2 of the 8052AH. Timer 2 is a 16-bit timer/counter which is formed by two SFRs, TL2 and TH2. Another pair of SFRs, RCAP2L and RCAP2H, form a 16-bit capture register or a 16-bit reload register.

Like Timer 0 and Timer 1, Timer 2 can operate either as timer or as event counter. This is selected by bit $C/\overline{T2}$ in SFR T2CON. The timer has three operating modes: 'capture', 'autoload' and 'baud rate generator', which are selected by bits in SFR T2CON (see Tables 14 and 15).

10.2.1 TIMER/COUNTER 2 CONTROL REGISTER (T2CON)

Table 14 Timer/Counter 2 Control Register (SFR address C8H)

7	6	5	4	3	2	1	0
TF2	EXF2	RCLK	TCLK	EXEN2	TR2	$C/\overline{T2}$	$CP/\overline{RL2}$

Table 15 Description of T2CON bits

BIT	SYMBOL	DESCRIPTION
7	TF2	Timer 2 overflow flag. Set by a Timer 2 overflow and must be cleared by software. TF2 will not be set when either RCLK = 1 or TCLK = 1. When Timer 2 interrupt is enabled, TF2 = 1 will cause the CPU to vector to Timer 2 interrupt routine.
6	EXF2	Timer 2 external flag. Set when either a capture or reload is caused by a negative transition on T2EX and when EXEN2 = 1. When Timer 2 interrupt is enabled, EXF2 = 1 will cause the CPU to vector to Timer 2 interrupt routine.
5	RCLK	Receive clock flag. When set, causes the Serial Port to use Timer 2 overflow pulses for its receive clock in Modes 1 and 3. RCLK = 0 causes Timer 1 overflows to be used for the receive clock.
4	TCLK	Transmit clock flag. When set, causes the Serial Port to use Timer 2 overflow pulses for its transmit clock in Modes 1 and 3. TCLK = 0 causes Timer 1 overflows to be used for the transmit clock.
3	EXEN2	Timer 2 external enable flag. When set, allows a capture or reload to occur as a result of a negative transition on T2EX, if Timer 2 is not being used to clock the Serial Port. EXEN2 = 0, causes Timer 2 to ignore events at T2EX.
2	TR2	Timer 2 start/stop control. TR2 = 1 starts Timer 2; TR2 = 0 stops Timer 2.
1	$C/\overline{T2}$	Timer 2 timer or counter select. $C/\overline{T2}$ = 0 selects the internal timer with a clock frequency of $1/12f_{clk}$. $C/\overline{T2}$ = 1 selects the external event counter; falling edge triggered.
0	$CP/\overline{RL2}$	Capture/reload flag. When set, capture will occur on negative transitions at T2EX if EXEN2 = 1. When cleared, reloads will occur upon either Timer 2 overflows or negative transitions at T2EX if EXEN2 = 1. When either RCLK = 1 or TCLK = 1, this bit is ignored and the timer is forced to reload upon overflow.

Table 16 Timer 2 operating modes

X = don't care.

RCLK	TCLK	$CP/\overline{RL2}$	TR2	MODE
0	0	0	1	16-bit automatic reload
0	0	1	1	16-bit capture
1	1	X	1	baud rate generator
X	X	X	0	off

8-bit Flash microcontrollers

P89C738; P89C739

10.2.2 CAPTURE MODE

In the capture mode (see Fig.11) there are two options which are selected by bit EXEN2 in T2CON. If EXEN2 = 0, then Timer 2 is a 16-bit timer/counter which on overflow sets bit TF2 (Timer 2 overflow bit). TF2 can be used to generate an interrupt. If EXEN2 = 1, Timer 2 operates as above, with the added feature that a HIGH-to-LOW transition at the external input T2EX causes the current value in Timer 2 registers (TL2 and TH2) to be captured into registers RCAP2L and RCAP2H, respectively. The HIGH-to-LOW transition of T2EX also causes bit EXF2 in T2CON to be set. EXF2 can be used to generate an interrupt.

10.2.3 AUTOMATIC RELOAD MODE

In the automatic reload mode (see Fig.12) there are two options which are selected by bit EXEN2 in SFR T2CON. If EXEN2 = 0, then a Timer 2 overflow sets TF2 and causes the Timer 2 registers to be reloaded with the 16-bit value in registers RCAP2L and RCAP2H, which are preset by software.

If EXEN2 = 1, Timer 2 operates as above, with the added feature that a HIGH-to-LOW transition at the external input T2EX triggers the 16-bit reload and sets EXF2.

10.2.4 BAUD RATE GENERATOR MODE

The baud rate generator mode (see Fig.13) is selected by RCLK = 1 and/or TCLK = 1 in SFR T2CON. Overflows of either Timer 2 or Timer 1 can be used independently for generating baud rates for transmit and receive.

The baud rate generation by Timer 1 and/or Timer 2 is used for the Serial Port in Mode 1 and Mode 3. The baud rate generation mode is similar to the automatic reload mode, in that a roll-over in TH2 causes the Timer 2 registers to be reloaded with the 16-bit value in registers RCAP2L and RCAP2H, which are preset by software. The baud rates for the Serial Port in Modes 1 and 3 are determined by Timer 2 overflow rate as follows:

$$\text{Baud rate} = \frac{\text{Timer 2 overflow rate}}{16}$$

Timer 2 can be configured for either 'timer' or 'counter' operation. Normally, as a timer it would increment every machine cycle (thus at $\frac{1}{12}f_{clk}$). As a baud rate generator, however it increments every state time (thus at $\frac{1}{2}f_{clk}$). The baud rate is given by the formula:

$$\text{Baud rate} = \frac{f_{clk}}{32 \times [65536 - (RCAP2H, RCAP2L)]}$$

In this mode an overflow of Timer 2 does not set TF2. If EXEN2 = 1, a HIGH-to-LOW transition at pin T2EX sets EXF2 and can be used to generate an interrupt.

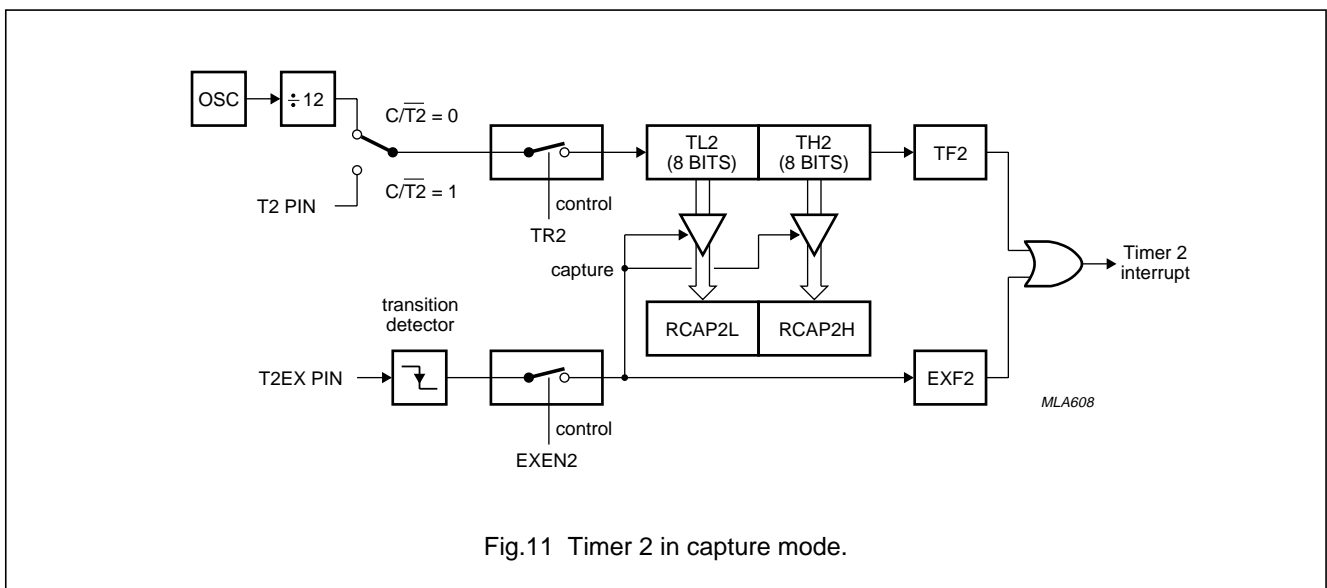
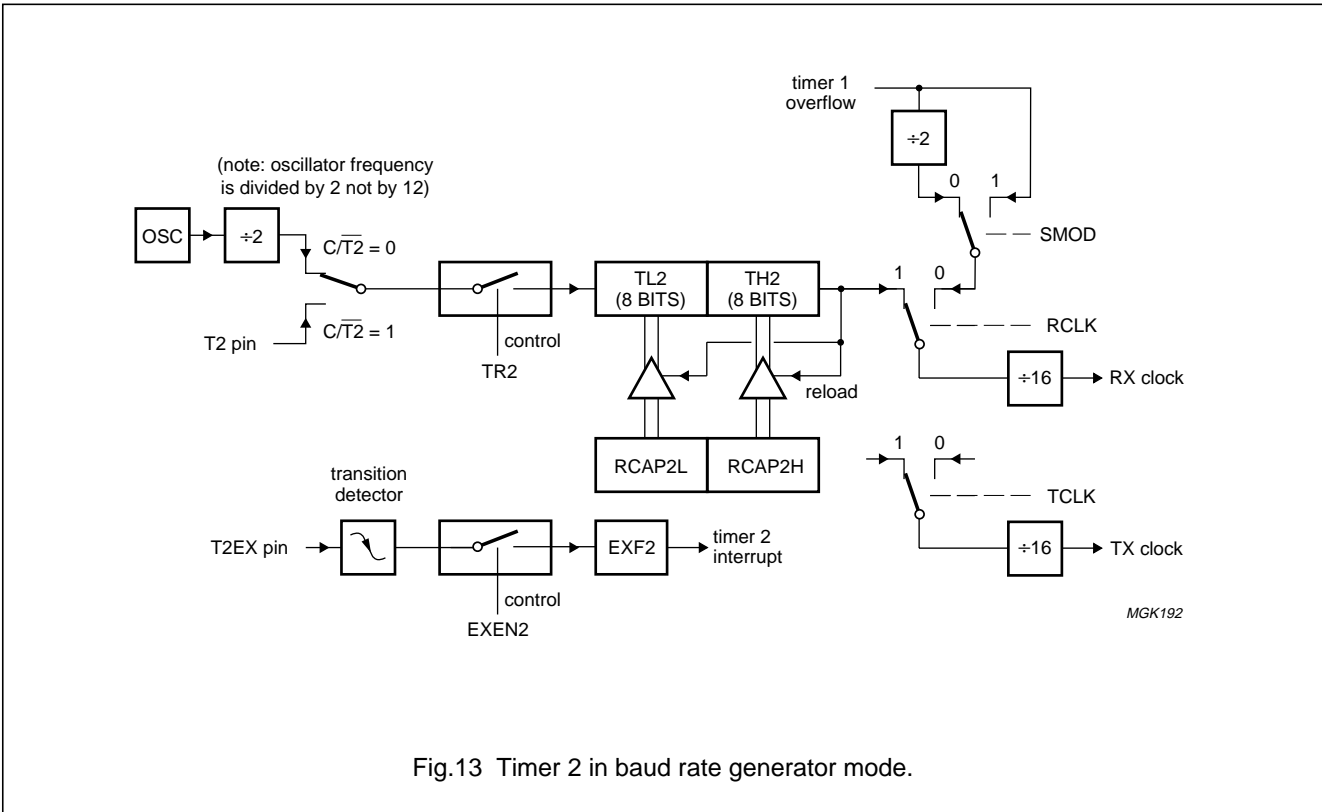
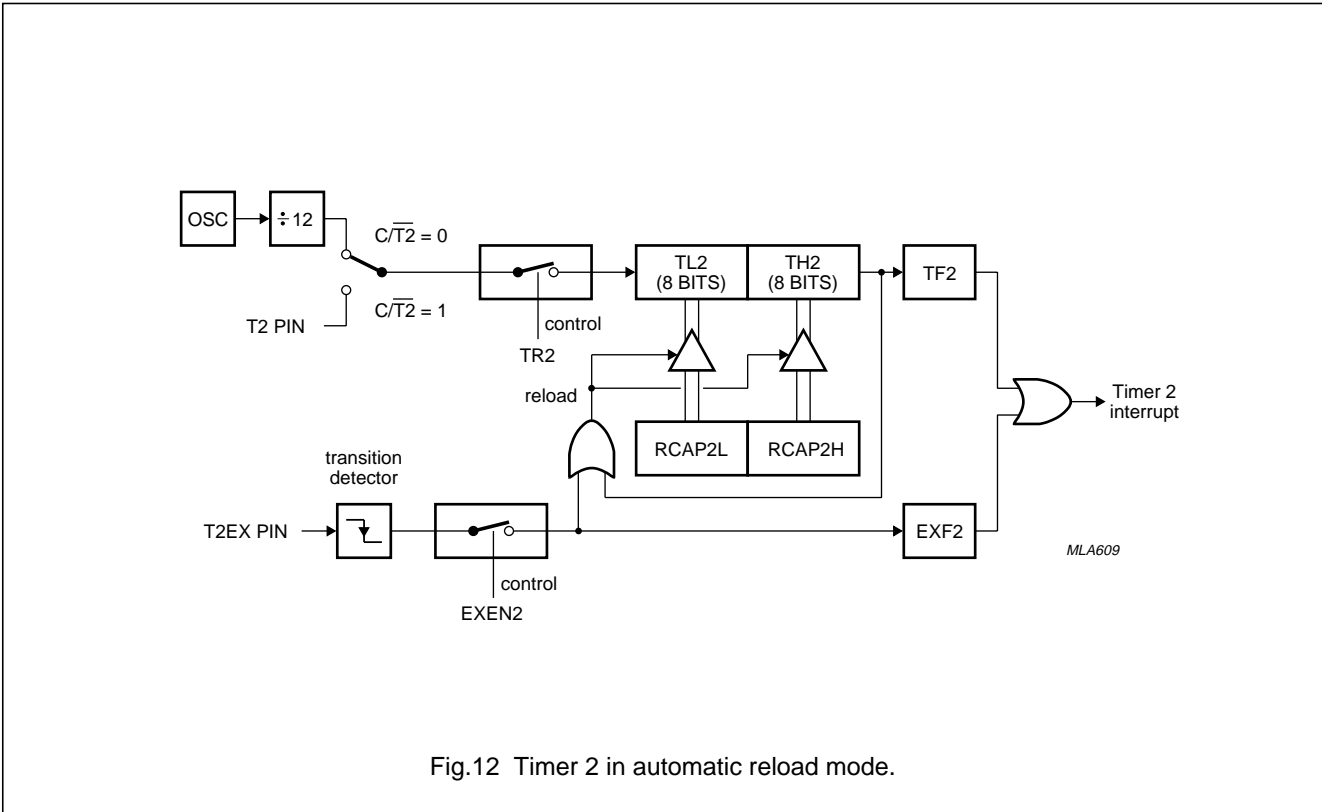


Fig.11 Timer 2 in capture mode.

8-bit Flash microcontrollers

P89C738; P89C739



8-bit Flash microcontrollers

P89C738; P89C739

10.3 Watchdog Timer (T3)

The Watchdog Timer (see Fig.14), consists of an 11-bit prescaler and an 8-bit timer formed by SFR T3. The timer is incremented every 1.5 ms, which is derived from the system clock frequency of 16 MHz by the following

$$\text{formula: } f_{\text{timer}} = \frac{f_{\text{clk}}}{(12 \times 2048)}$$

The 8-bit timer increments every 12×2048 cycles of the on-chip oscillator. When a timer overflow occurs, the microcontroller is reset. The internal reset signal is not inhibited when the external RST pin is kept LOW, e.g. by an external reset circuit. The reset signal drives Ports 1, 2, 3, 4 and 5 outputs into the HIGH state and Port 0 into high-impedance, no matter whether the clock oscillator is running or not.

To prevent a system reset the timer must be reloaded in time by the application software. If the processor suffers a hardware/software malfunction, the software will fail to reload the timer. This failure will result in a reset upon overflow thus preventing the processor running out of control.

This time interval is determined by the 8-bit reload value that is written into register T3:

$$\text{Watchdog time interval} = \frac{[T3] \times 12 \times 2048}{f_{\text{clk}}}$$

The Watchdog Timer can only be reloaded if the condition flag WLE (PCON.4) has been previously set HIGH by software. At the moment the counter is loaded WLE is automatically cleared.

In the Idle mode the Watchdog Timer and reset circuitry remain active.

The Watchdog Timer is controlled by the Watchdog enable signal EW (EBTCON.1). A HIGH level enables the Watchdog Timer and disables the Power-down mode. A LOW level disables the Watchdog Timer and enables the Power-down mode.

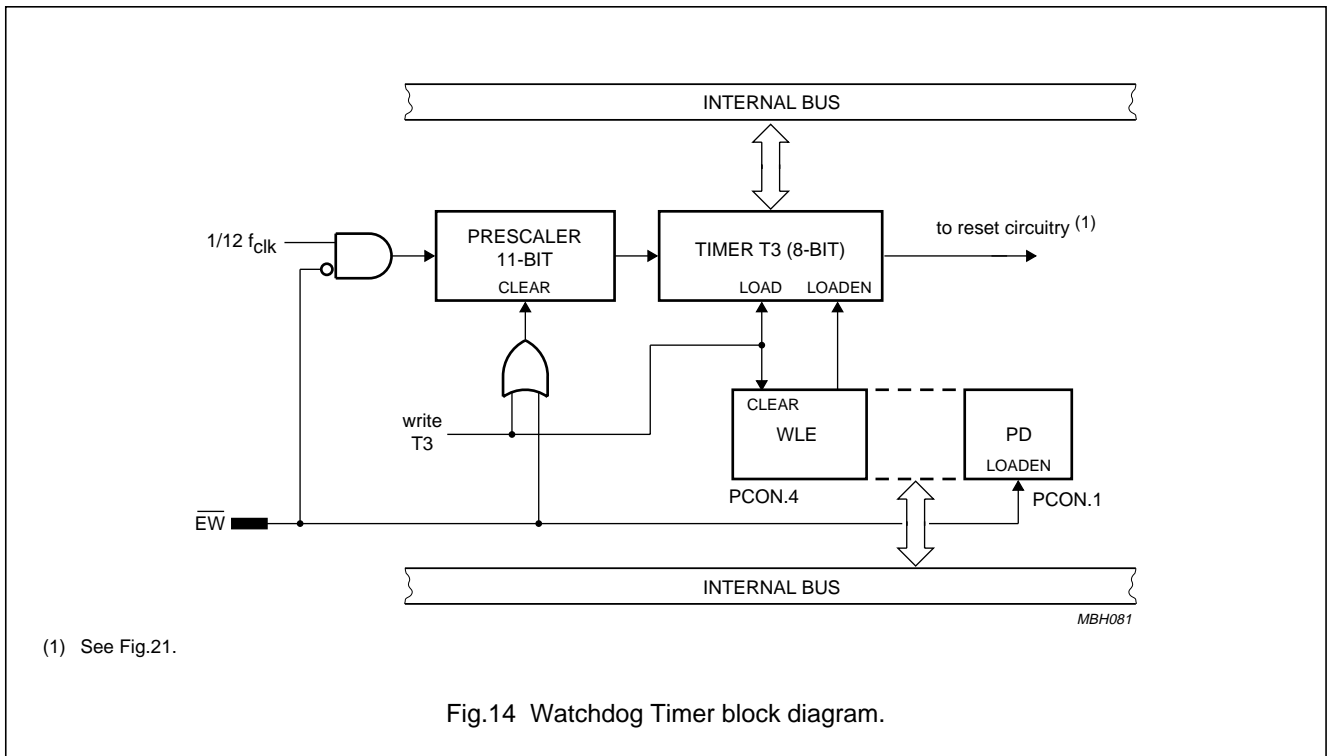


Fig.14 Watchdog Timer block diagram.

8-bit Flash microcontrollers

P89C738; P89C739

11 I/O FACILITIES

The P89C738 has 4 and P89C739 has 6 8-bit ports. Ports 0 to 3 are the same as in the 80C51, with the exception of the additional function of Port 1. Port lines P1.0 and P1.1 may be used as inputs for Timer 2, P1.1 may also be used as an additional (third) external interrupt request input.

Ports 0, 1, 2, and 3 perform the following alternative functions:

Port 0 Provides the multiplexed low-order address and data bus used for expanding the P89C738 with standard memories and peripherals.

Port 1 Pins can be configured individually to provide: external interrupt request input (external interrupt 2); external inputs for Timer/counter 2.

Port 2 Provides the high-order address bus when expanding the P89C738 with external program memory and/or external data memory.

Port 3 Pins can be configured individually to provide: external interrupt request inputs (external interrupt 0/1); external inputs for Timer/counter 0 and Timer/counter 1; Serial Port receiver input and transmitter output control signals to read and write external data memory.

Bits which are not used for the alternative functions may be used as normal bidirectional I/O pins. The generation or use of a Port 1 or Port 3 pin as an alternative function is carried out automatically by the P89C738 provided the associated SFR bit is HIGH. Otherwise the port pin is held at a logical LOW level.

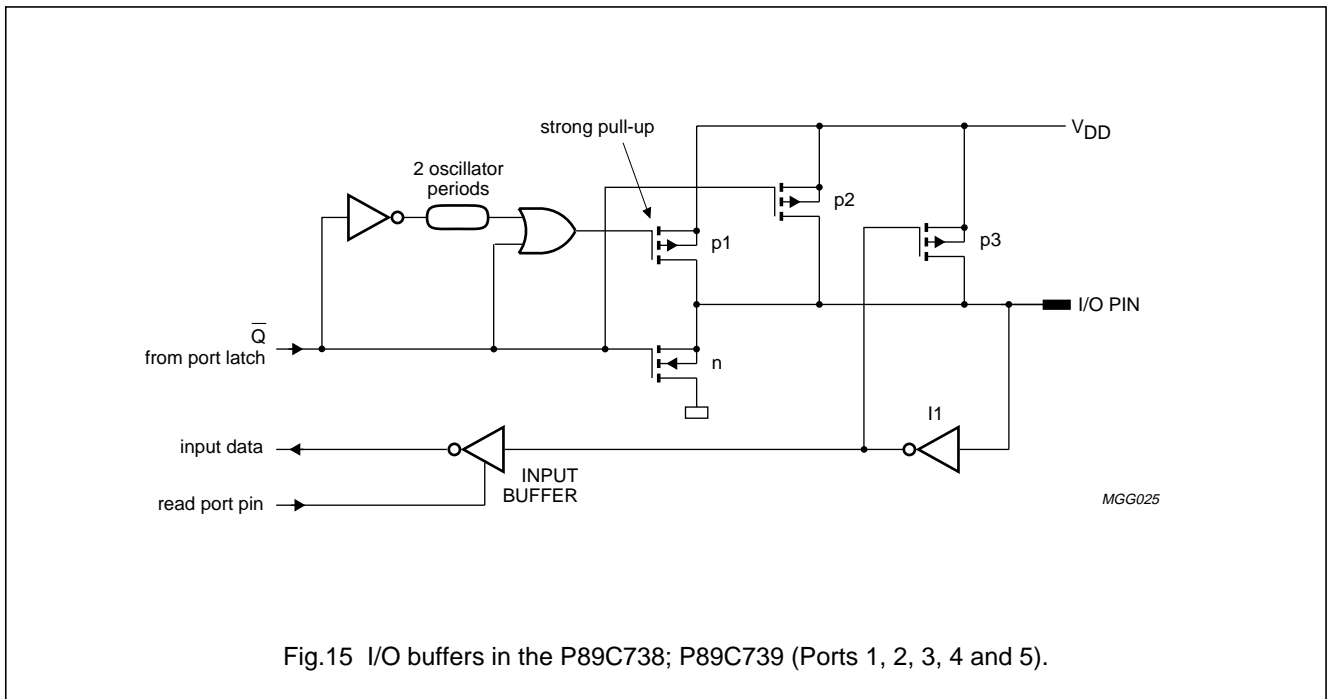


Fig.15 I/O buffers in the P89C738; P89C739 (Ports 1, 2, 3, 4 and 5).

8-bit Flash microcontrollers

P89C738; P89C739

12 FULL DUPLEX SERIAL PORT (UART)

The serial port is functionally similar to the implementation in the 8052AH, with the possibility of two different baud rates for receive and transmit with Timer 1 and Timer 2 as baud rate generators. It is full duplex, meaning it can receive and transmit simultaneously. It is also receive-buffered, meaning it can commence reception of a second byte before a previously received byte has been read from the receive register. However, if the first byte still has not been read by the time the reception of the second byte is complete, one of the bytes will be lost. The Serial Port receive and transmit registers are both accessed as SFR SBUF. Writing to SBUF loads the transmit register, and reading SBUF accesses the physically separate receive register.

12.1 The Serial Port operating modes

The serial port can operate in one of 4 modes:

- Mode 0 Serial data enters and exits through RXD. TXD outputs the shift clock. Eight bits are transmitted/received (LSB first). The baud rate is fixed at $\frac{1}{12}f_{clk}$.
- Mode 1 10 bits are transmitted (through TXD) or received (through RXD): a start bit (logic 0), 8 data bits (LSB first), and a stop bit (logic 1). On receive, the stop bit goes into RB8 in SFR SCON. The baud rate is variable.

Mode 2 11 bits are transmitted (through TXD) or received (through RXD): start bit (logic 0), 8 data bits (LSB first), a programmable 9th data bit, and a stop bit (logic 1). On transmit, the 9th data bit (TB8 in SFR SCON) can be assigned the value of a logic 0 or logic 1. For example, the parity bit (P in the PSW) could be moved into TB8. On receive, the 9th data bit goes into RB8 in SFR SCON, while the stop bit is ignored. The baud rate is programmable to either $\frac{1}{32}$ or $\frac{1}{64}f_{clk}$.

Mode 3 11 bits are transmitted (through TXD) or received (through RXD): a start bit (logic 0), 8 data bits (LSB first), a programmable 9th data bit and a stop bit (logic 1). In fact, Mode 3 is the same as Mode 2 in all respects except the baud rate. The baud rate in Mode 3 is variable.

In all four modes, transmission is initiated by any instruction that uses SFR SBUF as a destination register. In Mode 0, reception is initiated by the condition RI = 0 and REN = 1. Reception is initiated by incoming start bit if REN = 1 in the other modes.

8-bit Flash microcontrollers

P89C738; P89C739

12.2 Serial Port Control Register (SCON)

Table 17 Serial Port Control Register (SFR address 98H)

7	6	5	4	3	2	1	0
SM0	SM1	SM2	REN	TB8	RB8	TI	RI

Table 18 Description of SCON bits

BIT	SYMBOL	DESCRIPTION
7	SM0	These bits are used to select the Serial Port mode; see Table 19.
6	SM1	
5	SM2	Enables the multiprocessor communication feature in Modes 2 and 3. In these modes, if SM2 = 1, then RI will not be activated if the received 9th data bit (RB8) is a logic 0. In Mode 1, if SM2 = 1, then RI will not be activated unless a valid stop bit was received. In Mode 0, SM2 should be a logic 0.
4	REN	Enables serial reception. Set and cleared by software as required.
3	TB8	The 9th data bit that will be transmitted in Modes 2 and 3. Set or cleared by software as required.
2	RB8	In Modes 2 and 3, RB8 is the 9th data bit received. In Mode 1, if SM2 = 0 then RB8 is the stop bit that was received. In Mode 0, RB8 is not used.
1	TI	Transmit Interrupt flag. Set by hardware at the end of the 8th bit time in Mode 0, or at the beginning of the stop bit time in the other modes, in any serial transmission. TI must be cleared by software.
0	RI	Receive Interrupt flag. Set by hardware at the end of the 8th bit time in Mode 0, or halfway through the stop bit time in the other modes, in any serial transmission (except: see SM2). RI must be cleared by software.

Table 19 Selection of the Serial Port modes

SMO	SM1	MODE	DESCRIPTION	BAUD RATE
0	0	Mode 0	shift register	$\frac{1}{12}f_{clk}$
0	1	Mode 1	8-bit UART	variable
1	0	Mode 2	9-bit UART	$\frac{1}{32}$ or $\frac{1}{64}f_{clk}$
1	1	Mode 3	9-bit UART	variable

8-bit Flash microcontrollers

P89C738; P89C739

13 REDUCED POWER MODES

Two software selectable modes of reduced power consumption are implemented: Idle and Power-down mode.

Idle mode operation permits the interrupt, serial ports and timer blocks to function while the CPU is halted. The following functions remain active during Idle mode:

- Timer 0, Timer 1, Timer 2, Watchdog Timer
- UART
- External interrupt.

These functions may generate an interrupt or reset and thus end the Idle mode.

The Power-down mode operation freezes the oscillator, and can only be activated by setting the PD bit in the SFR PCON (see Fig.17).

13.1 Idle mode

The instruction that sets IDL (PCON.0) is the last instruction executed in the normal operating mode before Idle mode is activated. Once in the Idle mode, the CPU status is preserved in its entirety: the Stack Pointer, Program Counter, Program Status Word, Accumulator, RAM and all other registers maintain their data during Idle mode. The status of external pins during Idle mode is shown in Table 20.

There are three ways to terminate the Idle mode:

- Activation of any enabled interrupt will cause IDL (PCON.0) to be cleared by hardware terminating Idle mode. The interrupt is serviced, and following return from interrupt instruction RETI, the next instruction to be executed will be the one which follows the instruction that wrote a logic 1 to PCON.0.
The flag bits GF0 (PCON.2) and GF1 (PCON.3) may be used to determine whether the interrupt was received during normal execution or during the Idle mode. For example, the instruction that writes to PCON.0 can also set or clear one or both flag bits. When Idle mode is terminated by an interrupt, the service routine can examine the status of the flag bits.
- The second way of terminating the Idle mode is with an external hardware reset. Since the oscillator is still running, the hardware reset is required to be active for two machine cycles (24 oscillator periods) to complete the reset operation.
- The third way of terminating the Idle mode is by internal watchdog reset.

13.2 Power-down mode

The instruction that sets PD (PCON.1) is the last executed prior to going into the Power-down mode. The oscillator is stopped. Note that the Power-down mode also can be entered when the watchdog has been disabled.

The Power-down mode can be terminated by an external reset in the same way as in the 80C51 or in addition by any one of the two external interrupts, IE0 or IE1 (see Section 9.1).

The status of the external pins during Power-down mode is shown in Table 20. If the Power-down mode is activated while in external program memory, the port data that is held in the SFR P2 is restored to Port 2. If the data is a logic 1, the port pin is held HIGH during the Power-down mode by the strong pull-up transistor 'p1' (see Fig.15).

13.3 Wake-up from Power-down mode

The Power-down mode of the P89C738 can also be terminated by any one of the two external interrupts, IE0 or IE1. A termination with an external interrupt does not affect the internal data memory and does not affect the Special Function Registers (SFRs). This gives the possibility to exit Power-down without changing the port output levels. To terminate the Power-down mode with an external interrupt, IE0 or IE1 must be switched to be level-sensitive and must be enabled. The external interrupt input signal INT0 and INT1 must be kept LOW until the oscillator has restarted and stabilized (see Fig.16).

In order to prevent any interrupt priority problems during wake-up, the priority of the desired wake-up interrupt should be higher than the priorities of all other enabled interrupt sources. The instruction following the one that put the device into the Power-down mode will be the first one which will be executed after an interrupt has been serviced.

8-bit Flash microcontrollers

P89C738; P89C739

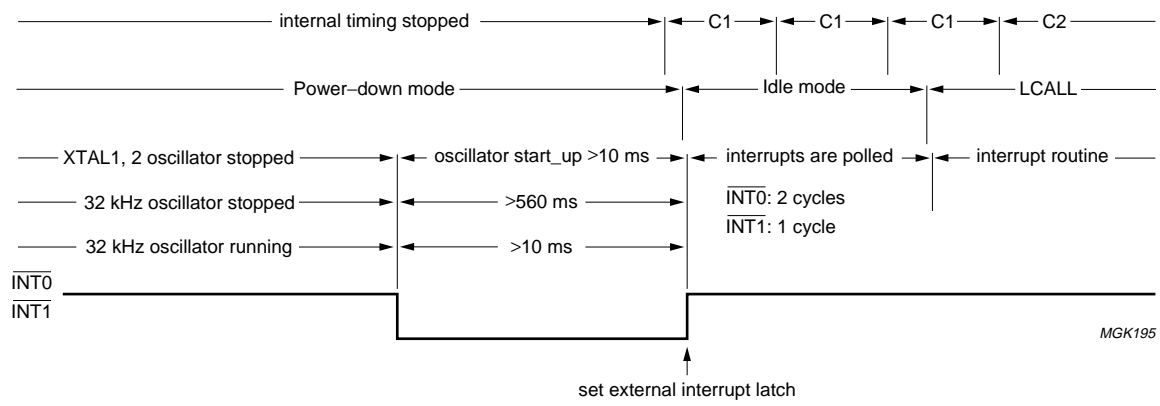


Fig.16 Wake-up by external interrupt input.

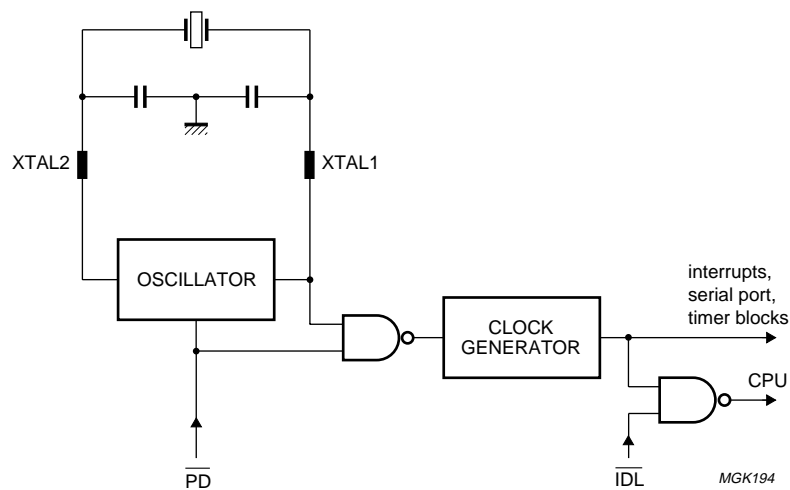


Fig.17 Internal Idle and Power-down clock configuration.

8-bit Flash microcontrollers

P89C738; P89C739

13.4 Status of external pins

Table 20 Status of the external pins during Idle and Power-down modes

MODE	MEMORY	ALE	$\overline{\text{PSEN}}$	PORT 0	PORT 1	PORT 2	PORT 3	PORT 4	PORT 5
Idle	internal	HIGH	HIGH	port data	port data	port data	port data	port data	port data
	external	HIGH	HIGH	floating	port data	address	port data	port data	port data
Power-down	internal	LOW	LOW	port data	port data	port data	port data	port data	port data
	external	LOW	LOW	floating	port data	port data	port data	port data	port data

13.5 Power Control Register (PCON)

Special modes are activated by software via the SFR PCON. PCON is not bit addressable. The reset value of PCON is 00H.

Table 21 Power Control Register (SFR address 87H)

7	6	5	4	3	2	1	0
SMOD	ARE	RFI	WLE	GF1	GF0	PD	IDL

Table 22 Description of PCON bits

BIT	SYMBOL	DESCRIPTION
7	SMOD	Double baud rate bit. When set to a logic 1 the baud rate is doubled when Timer 1 is used to generate baud rate, and the Serial Port is used in Modes 1, 2 or 3.
6	ARE	AUX-RAM enable bit. When set to a logic 1 the AUX-RAM is disabled, so that all MOVX-instructions access the external data memory.
5	RFI	Reduced Radio Frequency Interference bit. When set to a logic 1 the toggling of the ALE pin is prohibited. This bit is cleared on reset. See also Chapters 1 "Features": on EMC and 6 "Pinning information": note 2.
4	WLE	Watchdog Load Enable. This flag must be set by software prior to loading the Watchdog Timer (T3). It is cleared when timer T3 is loaded.
3	GF1	General-purpose flag bit.
2	GF0	
1	PD ⁽¹⁾	Power-down select. Setting this bit activates the Power-down mode.
0	IDL ⁽¹⁾	Idle mode select. Setting this bit activates the Idle mode.

Note

1. If logic 1s are written to PD and IDL at the same time, PD takes precedence.

8-bit Flash microcontrollers

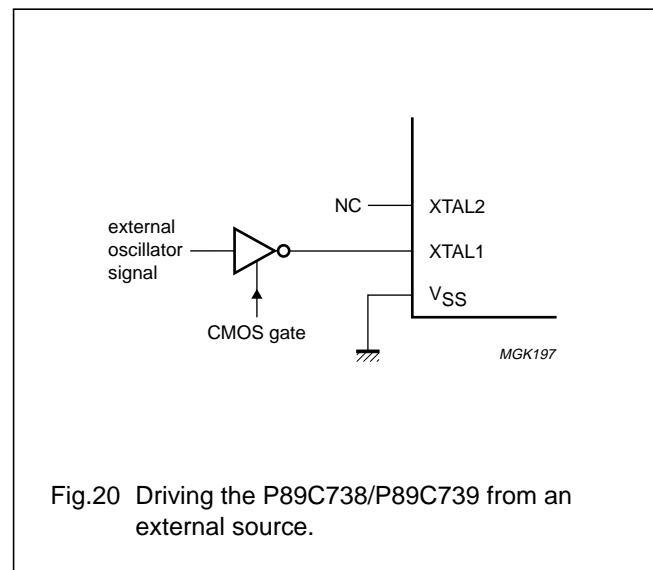
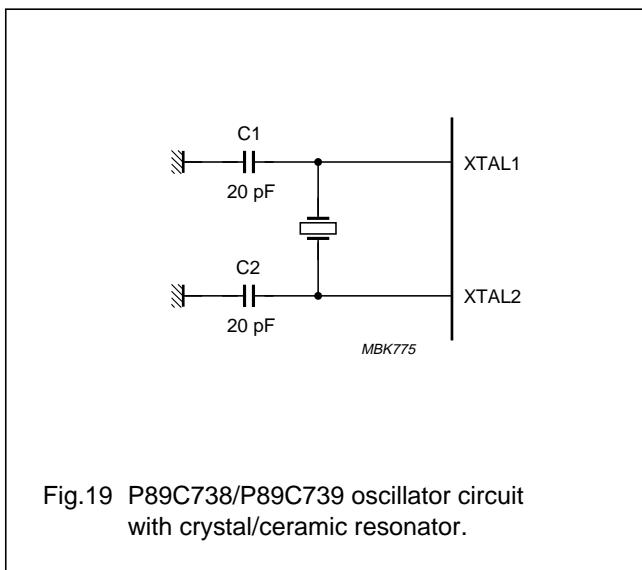
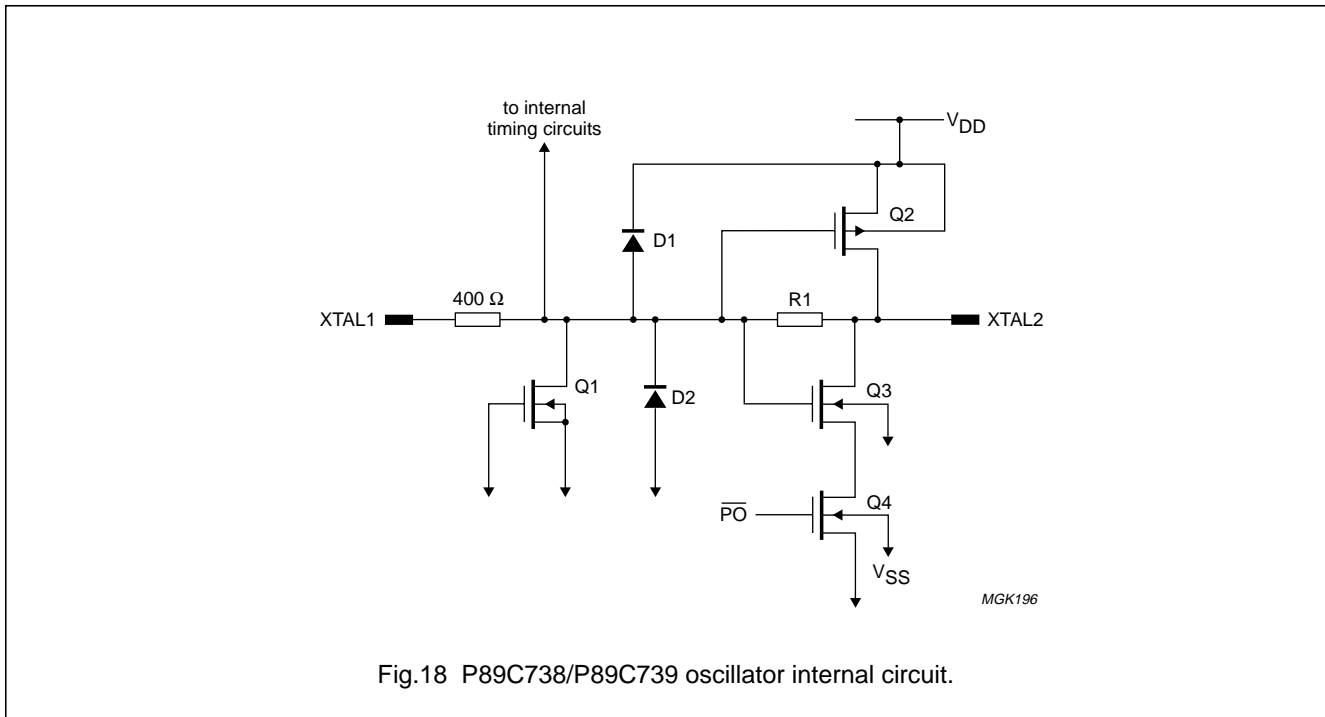
P89C738; P89C739

14 OSCILLATOR CIRCUIT

The oscillator circuit of the P89C738 is a single-stage inverting amplifier in a Pierce oscillator configuration. The circuitry between the XTAL 1 and XTAL 2 is basically an inverter biased to the transfer point. Either a crystal or ceramic resonator can be used as the feedback element to complete the oscillator circuitry (see Fig.19).

Both are operated in parallel resonance. XTAL 1 is the high gain amplifier input, and XTAL 2 is the output (see Fig.18).

To drive the P89C738 externally, XTAL 1 is driven from an external source and XTAL 2 left open-circuit (see Fig.20).



8-bit Flash microcontrollers

P89C738; P89C739

15 RESET

The reset circuitry for the P89C738 is connected to the reset pin RST. A Schmitt trigger is used at the input for noise rejection. The output of the Schmitt trigger is sampled by the reset circuitry every machine cycle.

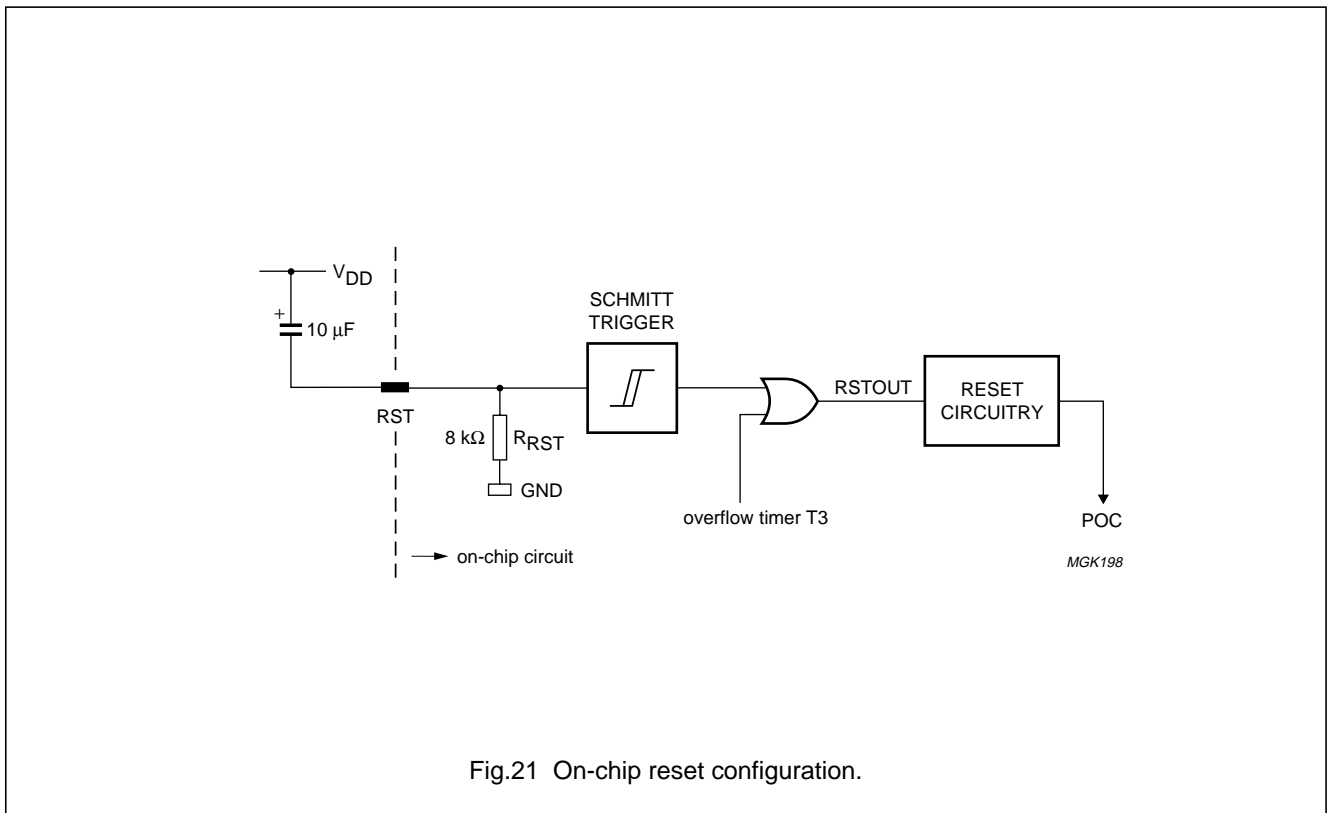
A reset is accomplished by holding the RST pin HIGH for at least two machine cycles (24 oscillator periods). The CPU responds by executing an internal reset. During reset ALE and $\overline{\text{PSEN}}$ output are at a HIGH level. In order to perform a correct reset, this level must not be affected by external elements.

In the P89C738 the internal reset can also be activated by the Watchdog Timer (T3). If the Watchdog Timer is also used to reset external devices, the usual capacitor arrangement should not be connected to RST pin. Instead, an extra circuit should be used to perform the power-on reset operation. It should be remembered that a timer T3 overflow, if enabled, will force a reset condition to the P89C738 by an internal connection, whether the output RST is tied to LOW or not (see Fig.21).

The internal reset is executed during the second cycle in which RST is pulled HIGH and is repeated every cycle until RST goes LOW. It leaves the internal registers as shown in Chapter 17.

15.1 Power-on reset

Figure 21 shows the on-chip reset configuration. When V_{DD} is turned on, and provided its rise time does not exceed 10 ms, an automatic reset can be obtained by connecting the RST pin to V_{DD} via a 2.2 μF capacitor. When the power is switched on, the voltage on the RST pin is equal to V_{DD} minus the capacitor voltage, and decreases from V_{DD} as the capacitor charges through the internal resistor (R_{RST}) to ground. The larger the capacitor, the more slowly V_{RST} decreases. V_{RST} must remain above the lower threshold of the Schmitt trigger long enough to effect a complete reset. The time required is the oscillator start-up time, plus 2 machine cycles.



8-bit Flash microcontrollers

P89C738; P89C739

16 MULTIPLE PROGRAMMING ROM (MTP-ROM)

16.1 Features

- 64 kbytes electrically erasable internal program memory
- Up to 64 kbytes external program memory if the internal program memory is switched off ($\overline{EA} = 0$)
- Programming and erasing voltage $12\text{ V} \pm 5\%$
- Command register architecture
 - Byte Programming (10 μs typical)
 - Auto chip erase: 5 seconds (typical; including pre-programming time)
- Auto-erase and auto-program
 - \overline{DATA} polling
 - Toggle bit
- Minimum 100 erase/program cycles
- Advanced CMOS MTP memory technology.

16.2 General description

The P89C738's MTP memories augment EPROM functionality with in-circuit electrical erasure and programming. The P89C738 uses a command register to manage this functionality.

P89C738's MTP reliably stores memory contents even after 100 erase and program cycles. The cell is designed to optimize the erase and programming mechanisms. In addition, the combination of advanced tunnel oxide processing and low internal electric fields for erase and programming operations produces reliable cycling. The P89C738 uses a $V_{PP} = 12.0\text{ V} \pm 5\%$ supply to perform the auto-erase and auto-program algorithms.

16.3 Automatic programming and Automatic chip erase

The P89C738 is byte programmable using the Automatic programming algorithm. The Automatic programming algorithm does not require the system to time out or verify the data programmed. At typical room temperature the chip programming time of the P89C738 is less than 5 seconds.

The device may be erased using the Automatic erase algorithm. The Automatic erase algorithm automatically programs the entire array prior to electrical erase. The timing and verification of the electrical erase are controlled internally by the device.

16.3.1 AUTOMATIC PROGRAMMING ALGORITHM

The P89C738 Automatic programming algorithm requires the user to only write a program set-up command and a program command (program data and address). The device automatically times the programming pulse width, provides the program verification, and counts the number of sequences. A status bit similar to \overline{DATA} polling and a status bit toggling between consecutive read cycles, provide feedback to the user as to the status of the programming operation.

16.3.2 AUTOMATIC ERASE ALGORITHM

The P89C738 Automatic erase algorithm requires the user to only write an erase set-up command and erase command. The device will automatically pre-program and verify the entire array. Then the device automatically times the erase pulse width, provides the erase verify, and counts the number of sequences. A status bit similar to \overline{DATA} polling and a status bit toggling between consecutive read cycles, provide feedback to the user as to the status of the erase operation.

Commands are written to the command register. Register contents serve as inputs to an internal state-machine which controls the erase and programming circuitry. During write cycles, the command register internally latches address and data needed for the programming and erase operations. For system design simplification, the P89C738 is designed to support either \overline{WE} or \overline{CE} controlled writes. During a system write cycle, addresses are latched on the falling edge of \overline{WE} or \overline{CE} whichever occurs last. Data is latched on the rising edge of \overline{WE} or \overline{CE} whichever occur first. To simplify the following discussion, the \overline{WE} pin is used as the write cycle control pin throughout the rest of this text. All set-up and hold times are with respect to the \overline{WE} signal.

16.4 Command definitions

When a low voltage is applied to the V_{PP} pin, the contents of the command register is set to a default value: 00H.

Applying high voltage to the V_{PP} pin enables read/write operations. Device operations are selected by writing specific data patterns into the command register.

Table 23 defines these P89C738 register commands. Table 24 defines the bus operations of the P89C738.

8-bit Flash microcontrollers

P89C738; P89C739

Table 23 Command definitions

COMMAND	BUS CYCLES	FIRST BUS CYCLE			SECOND BUS CYCLE		
		OPERATION	ADDRESS	DATA	OPERATION	ADDRESS	DATA
Read identified codes	2	write	X ⁽¹⁾	90H	read	IA ⁽²⁾	ID ⁽³⁾
Set-up auto erase/auto chip erase	2	write	X	30H	write	X	30H
Set-up auto program/program	2	write	X	40H	write	PA ⁽⁴⁾	PD ⁽⁵⁾
Reset	2	write	X	FFH	write	X	FFH

Notes

1. X = don't care.
2. IA = identifier address.
3. ID = data read from location IA during device identification.
4. PA = address of memory location to be programmed.
5. PD = data to be programmed at location.

Table 24 P89C738 bus operations

READ/WRITE OPERATION	V _{PP} ⁽¹⁾	$\overline{\text{CE}}$	$\overline{\text{OE}}$	$\overline{\text{WE}}$	D00 TO D07
Read ⁽²⁾	V _{PPH}	V _{IL}	V _{IL}	V _{IH}	data out ⁽³⁾⁽⁴⁾
Standby ⁽⁵⁾	V _{PPH}	V _{IH}	X ⁽⁶⁾	X	3-state
Write	V _{PPH}	V _{IL}	V _{IH}	V _{IL}	data in ⁽³⁾

Notes

1. V_{PPH} is the programming voltage specified for the device.
2. Manufacturer and device codes are accessed via a command register write sequence. Refer to Table 23. All other addresses are LOW.
3. Data out means that the data is read out from the microcontroller. Data in means that the data is send into the microcontroller from outside.
4. Read operation with V_{PP} = V_{PPH} may access array data (if write command is preceded) or Silicon-ID codes.
5. With V_{PP} at high voltage, the standby current equals I_{DD} + I_{PP} (standby).
6. X can be V_{IL} or V_{IH}.

8-bit Flash microcontrollers

P89C738; P89C739

16.5 Silicon-ID-Read command

MTP memories are intended for use in applications where the local CPU alters memory contents. As such, manufacturer and device-codes must be accessible while the device resides in the target system.

P89C738 contains a Silicon-ID-Read operation. The operation is initiated by writing 90H into the command register. Following the command write, a read cycle from address 0000H retrieves the manufacturer code: C2H. A read cycle from address 0001H returns the device code: 1AH.

16.6 Set-up of Automatic chip erase and Automatic erase commands

The Automatic chip erase does not require the device to be entirely pre-programmed prior to executing the set-up of Automatic erase command and Automatic chip erase commands. Upon executing the Automatic chip erase command, the device automatically will program and verify the entire memory for an all-zero data pattern. When the device is automatically verified to contain an all-zero pattern, a self-timed chip erase and verify begin. The erase and verify operations are complete when the data on DQ7 is a logic 1 at which time the device returns to the standby mode. The system is not required to provide any control or timing during these operations.

When using the Automatic chip erase algorithm, note that the erase automatically terminates when adequate erase margin has been achieved for the memory array (no erase verify command is required). The margin voltages are internally generated in the same manner as when the standard erase verify command is used.

The set-up of the Automatic erase command is a command only operation that stages the device for automatic electrical erasure of all bytes in the array. The set-up Automatic erase is performed by writing 30H to the command register.

To execute the Automatic chip erase, 30H must be written again to the command register. The automatic chip erase begins on the rising edge of the \overline{WE} and terminates when the data on DQ7 is a logic 1 and the data on DQ6 stops toggling for two consecutive read cycles, at which time the device returns to the standby mode.

16.7 Set-up of the Automatic program and Program commands

The set-up of the Automatic program is a command only operation that stages the devices for automatic programming.

The set-up of Automatic program is performed by writing 40H to the command register.

Once the set-up of the Automatic program operation is performed, the next \overline{WE} pulse causes a transition to an active programming operation. Addresses are internally latched on the falling edge of the \overline{WE} pulse. Data is internally latched on the rising edge of the \overline{WE} pulse. The rising edge of \overline{WE} also starts the programming operation. The system is not required to provide further controls or timings. The device will automatically provide an adequate internally generated program pulse and verify margin. The automatic programming operation is completed when the data read on DQ6 stops toggling for two consecutive read cycles and the data on DQ7 and DQ6 are equivalent to data written to these two bits at which time the device returns to the read mode (no program verify command is required; but data can be read out if \overline{OE} is active LOW).

16.8 Reset command

A reset command is provided as a means to safely abort the erase or program command sequences. Following either set-up command (erase or program) with two consecutive writes of FFH will safely abort the operation. Memory contents will not be altered. Should program-fail or erase-fail happen, two consecutive writes of FFH will reset the device to abort the operation. A valid command must then be written to place the device in the desired state.

16.9 Write operation status

16.9.1 Toggle bit DQ6

The P89C738 features a 'toggle bit' as a method to indicate to the host system that the Automatic program or erase algorithms are either in progress or completed.

While the Automatic program or erase algorithm is in progress, successive attempts to read data from the device will result in DQ6 toggling between a logic 1 and a logic 0. Once the Automatic program or erase algorithm is completed, DQ6 will stop toggling and valid data will be read. The toggle bit is valid after the rising edge of the second \overline{WE} pulse of the two write pulse sequences.

Toggle bit appears in Q6, when program or erase is operating.

8-bit Flash microcontrollers

P89C738; P89C739

16.9.2 $\overline{\text{DATA}}$ polling DQ7

The P89C738 also features $\overline{\text{DATA}}$ polling as a method to indicate to the host system that the Automatic program or erase algorithms are either in progress or completed.

While the Automatic programming algorithm is in operation an attempt to read the device will produce the complement data of the data last written to DQ7. Upon completion of the Automatic programming algorithm an attempt to read the device will produce the true data last written to DQ7. The $\overline{\text{DATA}}$ polling feature is valid after the rising edge of the second $\overline{\text{WE}}$ pulse of the two write pulse sequences.

While the Automatic erase algorithm is in operation, DQ7 will read a logic 0 until the erase operation is completed. Upon completion of the erase operation, the data on DQ7 will read a logic 1. The $\overline{\text{DATA}}$ polling feature is valid after the rising edge of the second $\overline{\text{WE}}$ pulse of two write pulse sequences.

The $\overline{\text{DATA}}$ polling feature is active during Automatic program or erase algorithms.

$\overline{\text{DATA}}$ polling appears in Q7 during programming or erase.

16.10 Write operation

Because of the electronic features of the Flash cell, the data to be programmed into Flash should be reversed when programming. In other words, to program 00H the value FFH must be sent to Port 0.

16.11 System considerations

During the switch between active and standby conditions, transient current peaks are produced on the rising and falling edges of $\overline{\text{CE}}$. The magnitude of these transient current peaks is dependent on the output capacitance loading of the device.

A ceramic capacitor of minimum 0.1 μF (high frequency, low inherent inductance) should be used on each device between V_{DD} and V_{SS} , and between V_{PP} and V_{SS} to minimize transient effects.

Table 25 Capacitance of pin V_{PP}

$T_{\text{amb}} = 25\text{ }^{\circ}\text{C}$; $f_{\text{clk}} = 1.0\text{ MHz}$

SYMBOL	PARAMETER	CONDITION	VALUE
C_{IN}	input capacitance	$V_{\text{IN}} = 0\text{ V}$	14 pF
C_{OUT}	output capacitance	$V_{\text{OUT}} = 0\text{ V}$	16 pF

8-bit Flash microcontrollers

P89C738; P89C739

16.12 Command programming/data programming and erase operation

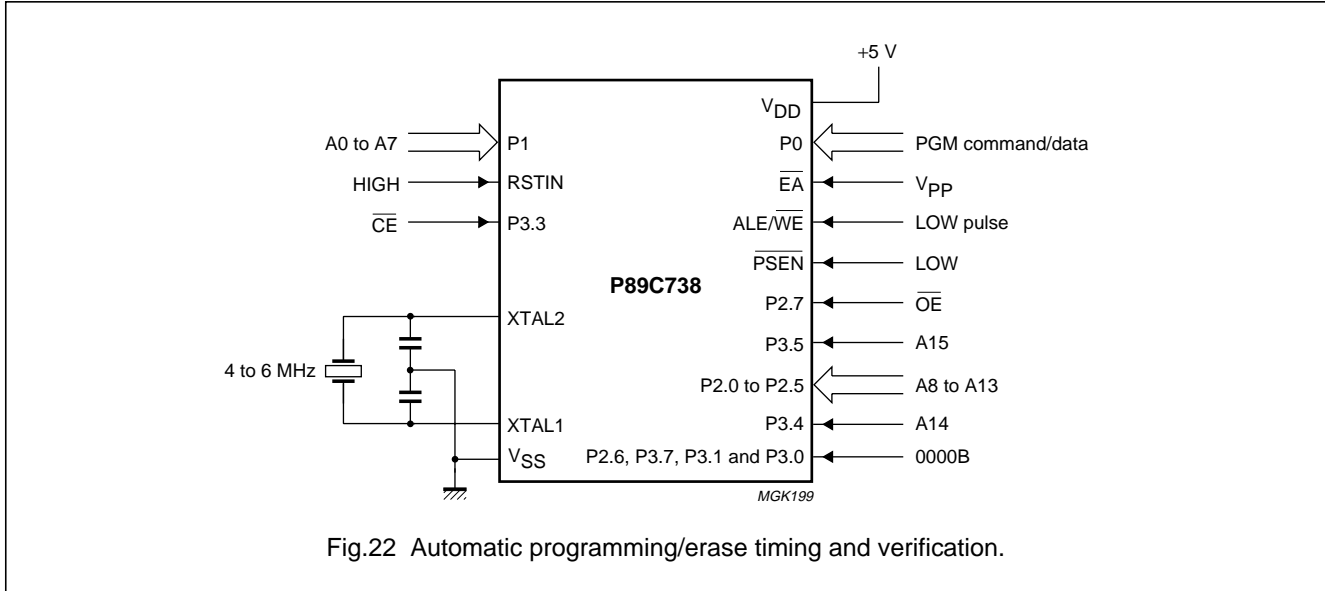


Fig.22 Automatic programming/erase timing and verification.

Table 26 Pin connections during Automatic programming/erase timing and verification

PIN NAME	SIGNAL	FUNCTION
P1.0 to P1.7	A0 to A7	input low-order address bits
P2.0 to P2.5	A8 to A13	input high-order address bits
P3.4 to P3.5	A14 to A15	
P0.0 to P0.7	Q0 to Q7	data input/output
P3.3	\overline{CE}	Chip Enable input
P2.7	\overline{OE}	Output Enable input
ALE/ \overline{WE}	\overline{WE}	Write Enable pin
\overline{EA}/V_{PP}	V_{PP}	programming supply voltage
P2.6, P3.7, P3.1 and P3.0	FTEST3 to FTEST0	Flash Test mode selection
V_{DD}	V_{DD}	power supply voltage (+5 V)
V_{SS}	V_{SS}	ground pin

Table 27 DC characteristics during Command programming/data programming and erase operation

$T_{amb} = 0$ to 70 °C; $V_{DD} = 5$ V $\pm 10\%$ (note 1); $V_{PP} = 12.0$ V $\pm 5\%$; all currents are in RMS unless otherwise noted (sampled, not 100% tested).

SYMBOL	PARAMETER	CONDITIONS	MIN.	MAX.	UNIT
I_{LI}	input leakage current	$V_{IN} = V_{SS}$ to V_{DD}	–	10	μA
I_{LO}	output leakage current	$V_{OUT} = V_{SS}$ to V_{DD}	–	10	μA
$I_{DD(stb)}$	supply current standby mode	$\overline{CE} = V_{IH}$	–	1	mA
		$\overline{CE} = V_{DD} \pm 0.3$ V	–	100	μA
$I_{DD(read)}$	supply current read mode	$I_O = 0$ mA; $f_{clk} = 1$ MHz	–	30	mA
		$I_O = 0$ mA; $f_{clk} = 11$ MHz	–	50	mA
$I_{DD(prog)}$	supply current program mode		–	50	mA

8-bit Flash microcontrollers

P89C738; P89C739

SYMBOL	PARAMETER	CONDITIONS	MIN.	MAX.	UNIT
$I_{DD(erase)}$	supply current erase mode		–	50	mA
$I_{DD(prog-verify)}$	supply current program/verify mode		–	50	mA
$I_{DD(erase-verify)}$	supply current erase/verify mode		–	50	mA
$I_{PP(read)}$	programming supply current read mode	$V_{PP} = 12.6 \text{ V}$; note 2 and 3	–	100	μA
$I_{PP(prog)}$	programming supply current program mode		–	50	mA
$I_{PP(erase)}$	programming supply current erase mode		–	50	mA
$I_{PP(prog-verify)}$	programming supply current programming/erase mode		–	50	mA
$I_{PP(erase-verify)}$	programming supply current erase/verify mode		–	50	mA
V_{IL}	LOW-level input voltage		note 4	$-0.5^{(5)}$	$0.2V_{PP} - 0.3$
V_{IH}	HIGH-level input voltage		2.4	$V_{DD} + 0.3^{(6)}$	V
V_{OL}	LOW-level output voltage	$I_{OL} = 2.1 \text{ mA}$	–	0.45	V
V_{OH}	HIGH-level output voltage	$I_{OH} = 400 \mu\text{A}$	2.4	–	V

Notes

- V_{DD} must be applied before V_{PP} and removed after V_{PP} .
- V_{PP} must not exceed 14 V including overshoot.
- The device reliability can be affected when the device is installed or removed while $V_{PP} = 12 \text{ V}$.
- Do not alter V_{PP} either 'V_{IL} to 12 V' or '12 V to V_{IL}' when $\overline{\text{CE}} = V_{IL}$.
- $V_{IL(min)} = -0.5 \text{ V}$ for pulse width < 20 ns.
- If V_{IH} is over the specified maximum value, programming operation cannot be guaranteed.

Table 28 AC characteristics during command programming, data programming and erase operation

$T_{amb} = 0 \text{ to } 70 \text{ }^\circ\text{C}$; $V_{DD} = 5 \text{ V} + 10\%$; $V_{PP} = 12 \text{ V} + 5\%$; refer to Figs 23 to 27.

SYMBOL	PARAMETER	MIN.	TYP.	MAX.	UNIT
$t_{su(Vpp)}$	V_{PP} set-up time	100	–	–	ns
$t_{su(OE)}$	$\overline{\text{OE}}$ set-up time	100	–	–	ns
$T_{cy(P)}$	command programming cycles	150	–	–	ns
$t_{WP(WE)}$	$\overline{\text{WE}}$ programming pulse width	60	–	–	ns
$t_{WP(WE)H1}$	$\overline{\text{WE}}$ programming pulse width HIGH	20	–	–	ns
$t_{WP(WE)H2}$	$\overline{\text{WE}}$ programming pulse width HIGH	100	–	–	ns
$t_{su(A)}$	address set-up time	0	–	–	ns
$t_{h(A-DATA)}$	address hold time for $\overline{\text{DATA}}$ polling	0	–	–	ns
$t_{su(D)}$	DATA set-up time	50	–	–	ns
$t_{h(D)}$	DATA hold time	10	–	–	ns
$t_{su(DATA-CE)}$	$\overline{\text{CE}}$ set-up time before $\overline{\text{DATA}}$ polling/toggle bit	100	–	–	ns
$t_{su(CE)}$	$\overline{\text{CE}}$ set-up time	0	–	–	ns
$t_{su(CE-W)}$	$\overline{\text{CE}}$ set-up time before command write	100	–	–	ns

8-bit Flash microcontrollers

P89C738; P89C739

SYMBOL	PARAMETER	MIN.	TYP.	MAX.	UNIT
$t_{h(V_{pp})}$	V_{pp} hold time	100	–	–	ns
$t_{o(dis)}$	output disable time; note 2	–	35	–	ns
$t_{ACC(DATA)}$	\overline{DATA} polling/toggle bit access time	–	150	–	ns
$t_{E(tot)}$	total erase time in auto-chip-erase	–	5	–	s
$t_{P(tot)}$	total programming time in auto-verify	15	–	300	us

Notes

- \overline{CE} and \overline{OE} must be fixed HIGH during V_{pp} transition from '5 to 12 V' or from '12 to 5 V'.
- $t_{o(dis)}$ defined as the time at which the output achieves the open circuit condition and data is no longer driven.

16.12.1 AUTOMATIC PROGRAMMING

One byte data is programmed. Verifying in fast algorithm and additional programming by external control are not required because these operations are executed automatically by the internal control circuit. Programming completion can be verified by \overline{DATA} polling (see Section 16.9.2) and toggle bit (see Section 16.9.1) checking after automatic verify starts. Device outputs \overline{DATA} during programming and DATA after programming on Q7. Q0 to Q5 are in high-impedance state; Q6 is the toggle bit (see Section 16.9.1).

Figure 23 shows the timing waveform.

16.12.2 AUTOMATIC ERASE

All the data on the chip is erased. External erase verifying is not required because data is erased automatically by internal control circuit. Erasure completion can be verified by \overline{DATA} polling and toggle bit checking after automatic erase starts.

Device outputs a logic 0 during erasure and a logic 1 after erasure on Q7. Q0 to Q5 are in high-impedance state; Q6 is the toggle bit (see Section 16.9.1).

Figure 24 shows the timing waveform.

8-bit Flash microcontrollers

P89C738; P89C739

16.12.3 TIMING WAVEFORMS

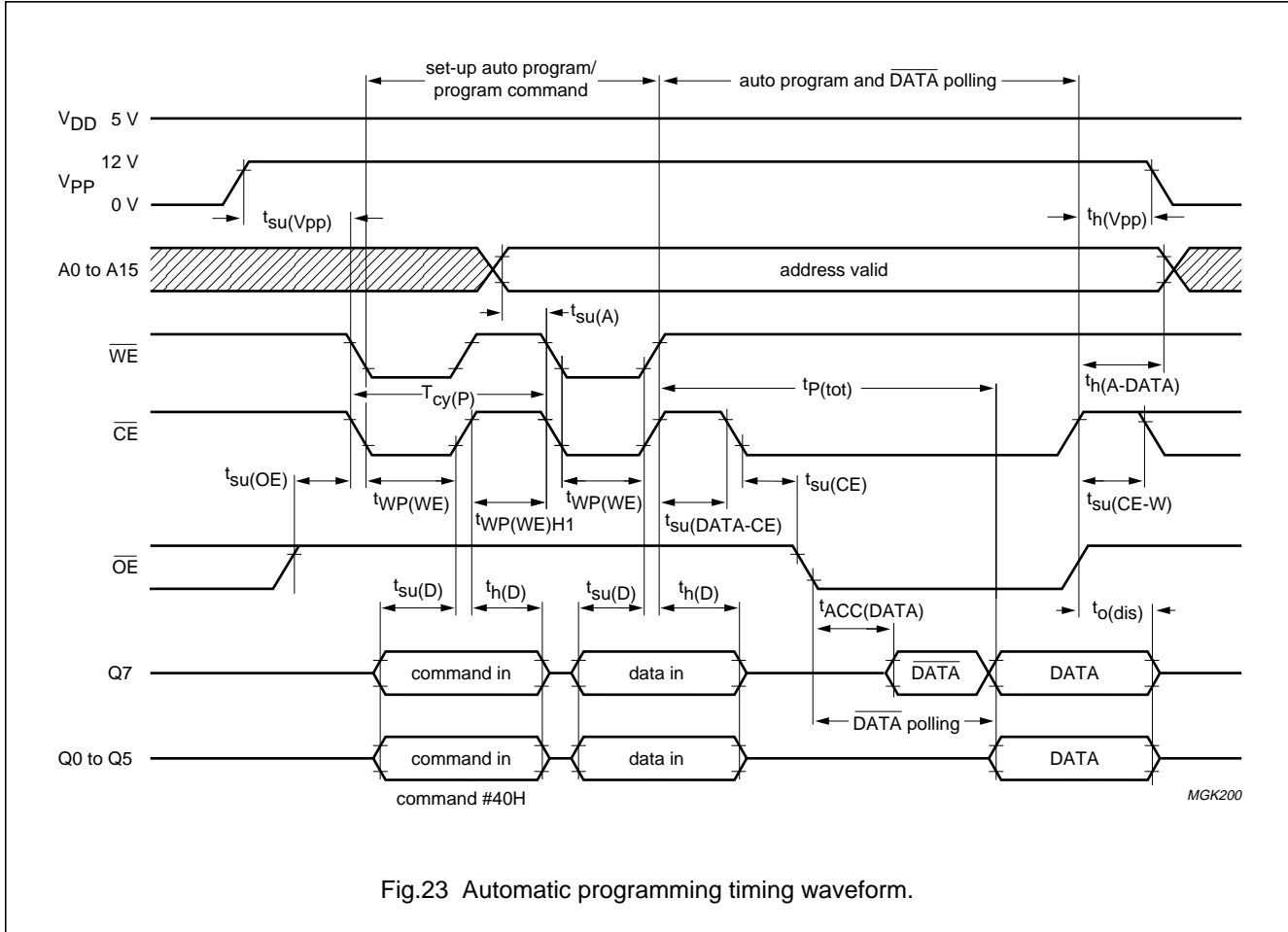
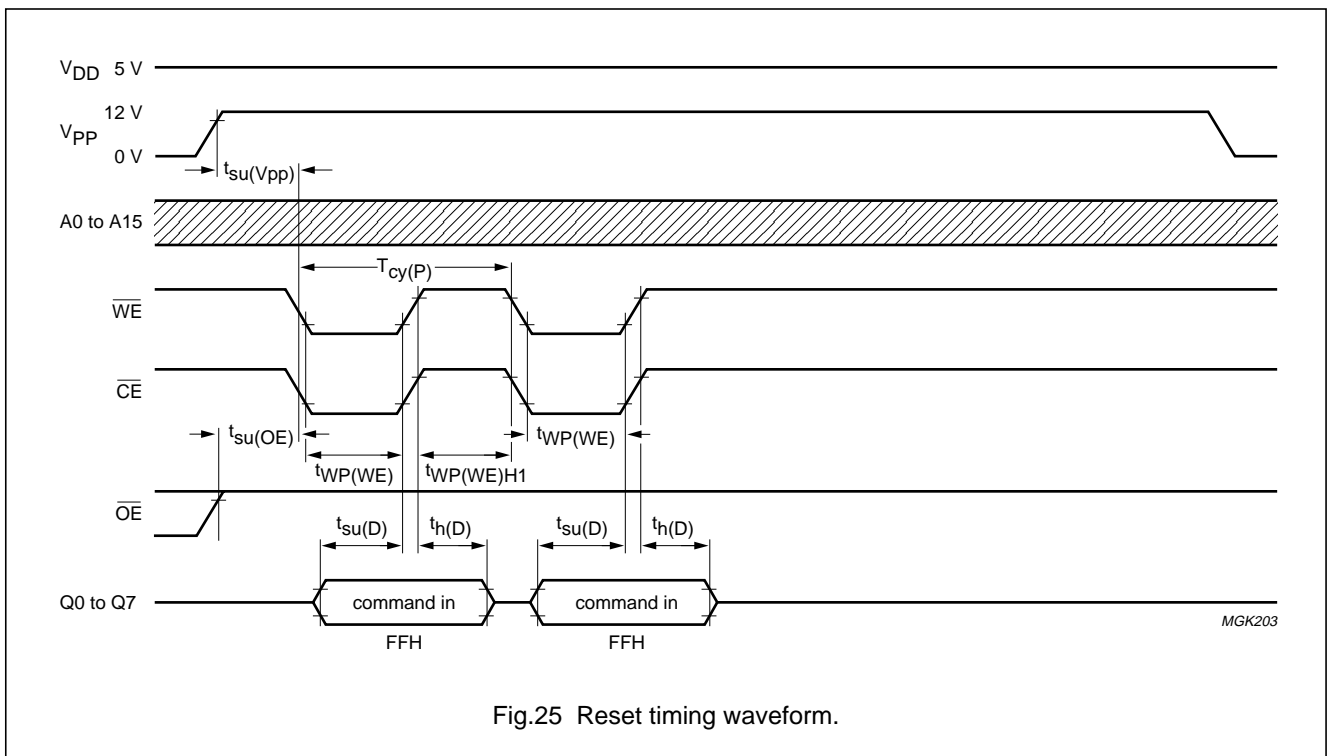
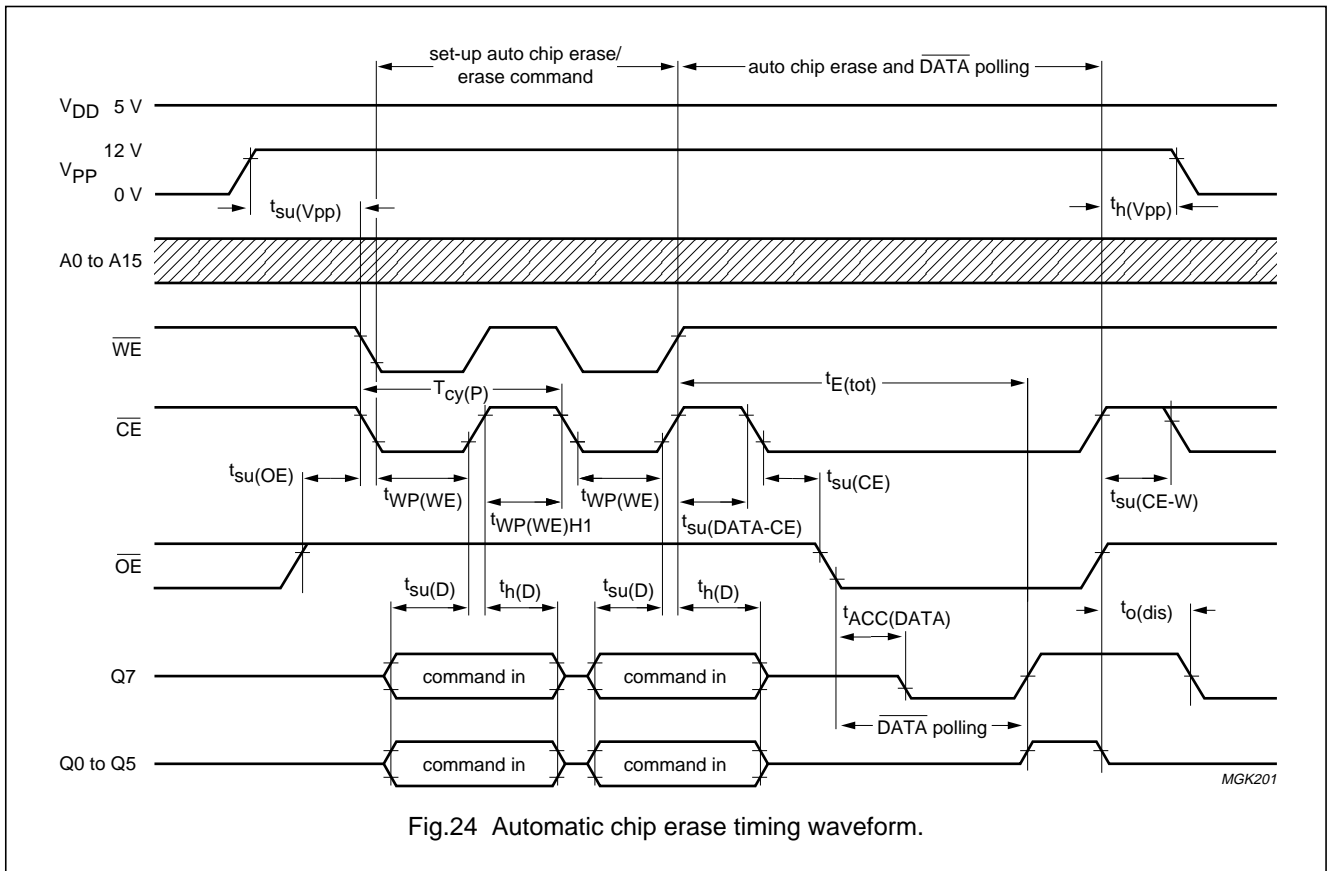


Fig.23 Automatic programming timing waveform.

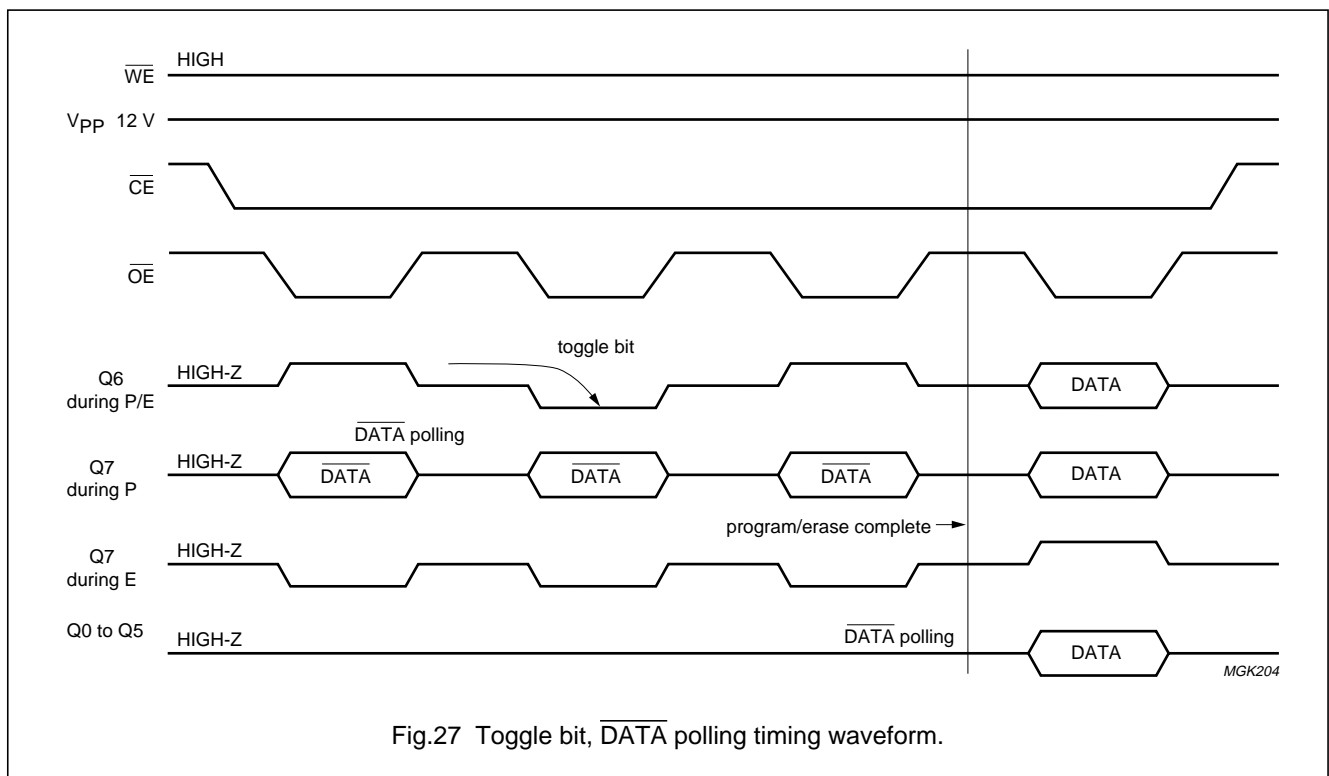
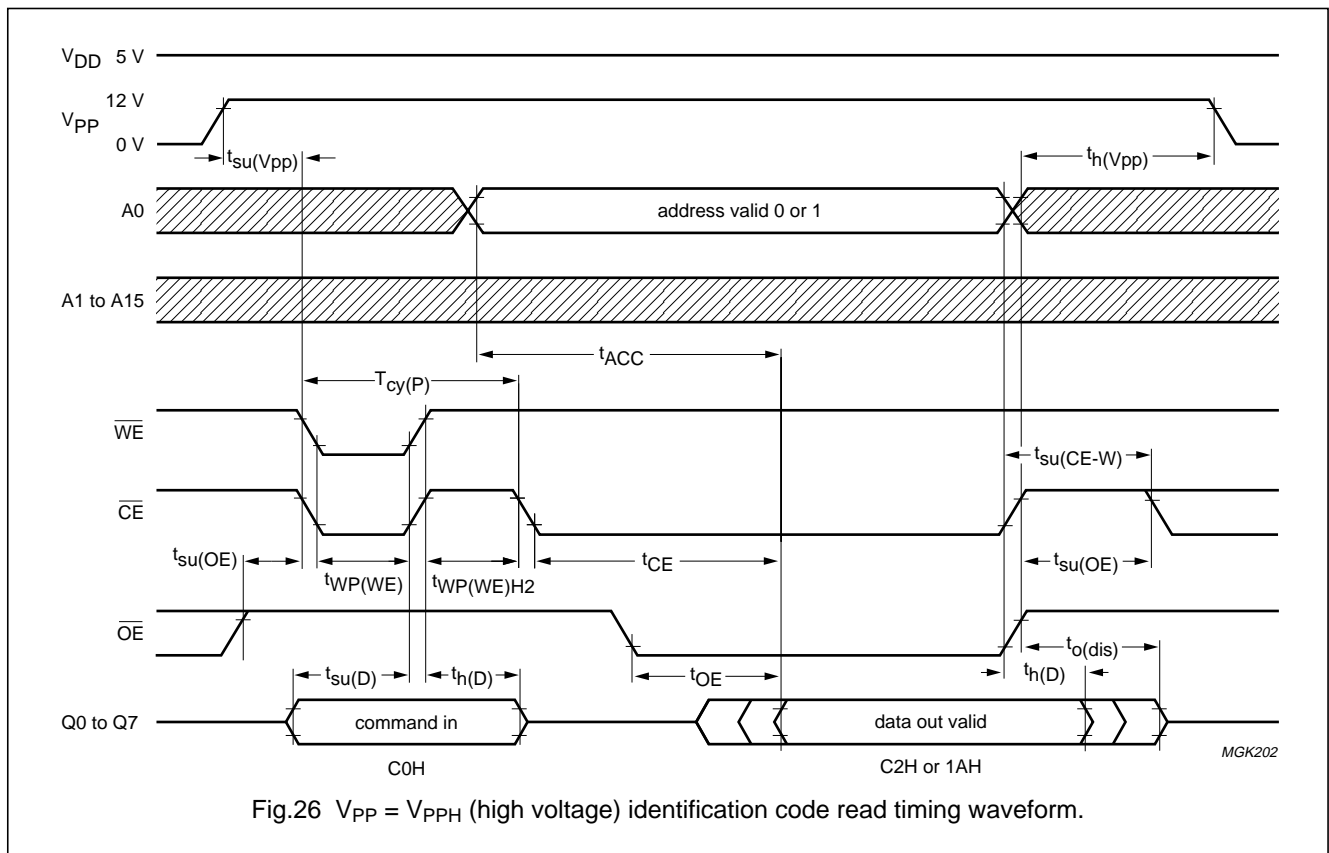
8-bit Flash microcontrollers

P89C738; P89C739



8-bit Flash microcontrollers

P89C738; P89C739



8-bit Flash microcontrollers

P89C738; P89C739

17 SPECIAL FUNCTION REGISTERS OVERVIEW

The P89C738; P89C739 have 30 SFRs available to the user.

ADDRESS (HEX)	NAME	RESET VALUE (B) ⁽¹⁾	FUNCTION
FF	T3	0000 0000	Watchdog Timer
F0	B ⁽²⁾	0000 0000	B Register
EB	EBTCON	XXXX XX00	Watchdog Timer Control Register
E0	ACC ⁽²⁾	0000 0000	Accumulator
D0	PSW ⁽²⁾	0000 0000	Program Status Word
CD	TH2	0000 0000	Timer 2 High byte Register
CC	TL2	0000 0000	Timer 2 Low byte Register
CB	RCAP2H	0000 0000	Timer 2 Reload/Capture Register High byte
CA	RCAP2L	0000 0000	Timer 2 Reload/Capture Register Low byte
C8	T2CON ⁽²⁾	0000 0000	Timer/Counter 2 Control Register
C7	P5	1111 1111	I/O Port Register 5
C0	P4 ⁽²⁾	1111 1111	I/O Port Register 4
B8	IP0 ⁽²⁾	X000 0000	Interrupt Priority Register 0
B0	P3 ⁽²⁾	1111 1111	I/O Port Register 3
A8	IEN0 ⁽²⁾	0000 0000	Interrupt Enable Register 0
A0	P2	1111 1111	I/O Port Register 2
99	S0BUF	0000 0000	Serial Data Buffer Register 0
98	S0CON ⁽²⁾	0000 0000	Serial Port Control Register 0
90	P1 ⁽²⁾	1111 1111	I/O Port Register 2
8D	TH1	0000 0000	Timer 1 High byte Register
8C	TH0	0000 0000	Timer 0 High byte Register
8B	TL1	0000 0000	Timer 1 Low byte Register
8A	TL0	0000 0000	Timer 0 Low byte Register
89	TMOD	0000 0000	Timer/Counter Mode Control Register
88	TCON ⁽²⁾	0000 0000	Timer/Counter Control Register
87	PCON	0000 0000	Power Control Register
83	DPH	0000 0000	Data Pointer High byte Register
82	DPL	0000 0000	Data Pointer Low byte Register
81	SP	0000 0111	Stack Pointer
80	P0 ⁽²⁾	1111 1111	I/O Port Register 0

Notes

1. X = undefined.
2. Bit addressable register.

8-bit Flash microcontrollers

P89C738; P89C739

18 INSTRUCTION SET

The instruction set consists of 49 single-byte, 46 two-byte and 16 three-byte instructions. When using a 12 MHz oscillator, 64 instructions execute in 1 μ s and 45 instructions execute in 2 μ s. Multiply and divide instructions execute in 4 μ s.

For the description of the **Data Addressing modes** and **Hexadecimal opcode cross-reference** see Table 33.

Table 29 Instruction set description: Arithmetic operations

MNEMONIC	DESCRIPTION	BYTES	CYCLES	OPCODE (HEX)
Arithmetic operations				
ADD A,Rr	Add register to A	1	1	2*
ADD A,direct	Add direct byte to A	2	1	25
ADD A,@Ri	Add indirect RAM to A	1	1	26, 27
ADD A,#data	Add immediate data to A	2	1	24
ADDC A,Rr	Add register to A with carry flag	1	1	3*
ADDC A,direct	Add direct byte to A with carry flag	2	1	35
ADDC A,@Ri	Add indirect RAM to A with carry flag	1	1	36, 37
ADDC A,#data	Add immediate data to A with carry flag	2	1	34
SUBB A,Rr	Subtract register from A with borrow	1	1	9*
SUBB A,direct	Subtract direct byte from A with borrow	2	1	95
SUBB A,@Ri	Subtract indirect RAM from A with borrow	1	1	96, 97
SUBB A,#data	Subtract immediate data from A with borrow	2	1	94
INC A	Increment A	1	1	04
INC Rr	Increment register	1	1	0*
INC direct	Increment direct byte	2	1	05
INC @Ri	Increment indirect RAM	1	1	06, 07
DEC A	Decrement A	1	1	14
DEC Rr	Decrement register	1	1	1*
DEC direct	Decrement direct byte	2	1	15
DEC @Ri	Decrement indirect RAM	1	1	16, 17
INC DPTR	Increment data pointer	1	2	A3
MUL AB	Multiply A and B	1	4	A4
DIV AB	Divide A by B	1	4	84
DA A	Decimal adjust A	1	1	D4

8-bit Flash microcontrollers

P89C738; P89C739

Table 30 Instruction set description: Logic operations

MNEMONIC		DESCRIPTION	BYTES	CYCLES	OPCODE (HEX)
Logic operations					
ANL	A,Rr	AND register to A	1	1	5*
ANL	A,direct	AND direct byte to A	2	1	55
ANL	A,@Ri	AND indirect RAM to A	1	1	56, 57
ANL	A,#data	AND immediate data to A	2	1	54
ANL	direct,A	AND A to direct byte	2	1	52
ANL	direct,#data	AND immediate data to direct byte	3	2	53
ORL	A,Rr	OR register to A	1	1	4*
ORL	A,direct	OR direct byte to A	2	1	45
ORL	A,@Ri	OR indirect RAM to A	1	1	46, 47
ORL	A,#data	OR immediate data to A	2	1	44
ORL	direct,A	OR A to direct byte	2	1	42
ORL	direct,#data	OR immediate data to direct byte	3	2	43
XRL	A,Rr	Exclusive-OR register to A	1	1	6*
XRL	A,direct	Exclusive-OR direct byte to A	2	1	65
XRL	A,@Ri	Exclusive-OR indirect RAM to A	1	1	66, 67
XRL	A,#data	Exclusive-OR immediate data to A	2	1	64
XRL	direct,A	Exclusive-OR A to direct byte	2	1	62
XRL	direct,#data	Exclusive-OR immediate data to direct byte	3	2	63
CLR	A	Clear A	1	1	E4
CPL	A	Complement A	1	1	F4
RL	A	Rotate A left	1	1	23
RLC	A	Rotate A left through the carry flag	1	1	33
RR	A	Rotate A right	1	1	03
RRC	A	Rotate A right through the carry flag	1	1	13
SWAP	A	Swap nibbles within A	1	1	C4

8-bit Flash microcontrollers

P89C738; P89C739

Table 31 Instruction set description: Data transfer

MNEMONIC	DESCRIPTION	BYTES	CYCLES	OPCODE (HEX)
Data transfer				
MOV A,Rr	Move register to A	1	1	E*
MOV A,direct (note 1)	Move direct byte to A	2	1	E5
MOV A,@Ri	Move indirect RAM to A	1	1	E6, E7
MOV A,#data	Move immediate data to A	2	1	74
MOV Rr,A	Move A to register	1	1	F*
MOV Rr,direct	Move direct byte to register	2	2	A*
MOV Rr,#data	Move immediate data to register	2	1	7*
MOV direct,A	Move A to direct byte	2	1	F5
MOV direct,Rr	Move register to direct byte	2	2	8*
MOV direct,direct	Move direct byte to direct	3	2	85
MOV direct,@Ri	Move indirect RAM to direct byte	2	2	86, 87
MOV direct,#data	Move immediate data to direct byte	3	2	75
MOV @Ri,A	Move A to indirect RAM	1	1	F6, F7
MOV @Ri,direct	Move direct byte to indirect RAM	2	2	A6, A7
MOV @Ri,#data	Move immediate data to indirect RAM	2	1	76, 77
MOV DPTR,#data 16	Load data pointer with a 16-bit constant	3	2	90
MOVC A,@A+DPTR	Move code byte relative to DPTR to A	1	2	93
MOVC A,@A+PC	Move code byte relative to PC to A	1	2	83
MOVX A,@Ri	Move external RAM (8-bit address) to A	1	2	E2, E3
MOVX A,@DPTR	Move external RAM (16-bit address) to A	1	2	E0
MOVX @Ri,A	Move A to external RAM (8-bit address)	1	2	F2, F3
MOVX @DPTR,A	Move A to external RAM (16-bit address)	1	2	F0
PUSH direct	Push direct byte onto stack	2	2	C0
POP direct	Pop direct byte from stack	2	2	D0
XCH A,Rr	Exchange register with A	1	1	C*
XCH A,direct	Exchange direct byte with A	2	1	C5
XCH A,@Ri	Exchange indirect RAM with A	1	1	C6, C7
XCHD A,@Ri	Exchange LOW-order digit indirect RAM with A	1	1	D6, D7

Note

1. MOV A,ACC is not permitted.

8-bit Flash microcontrollers

P89C738; P89C739

Table 32 Instruction set description: Boolean variable manipulation, Program and machine control

MNEMONIC	DESCRIPTION	BYTES	CYCLES	OPCODE (HEX)
Boolean variable manipulation				
CLR C	Clear carry flag	1	1	C3
CLR bit	Clear direct bit	2	1	C2
SETB C	Set carry flag	1	1	D3
SETB bit	Set direct bit	2	1	D2
CPL C	Complement carry flag	1	1	B3
CPL bit	Complement direct bit	2	1	B2
ANL C,bit	AND direct bit to carry flag	2	2	82
ANL C,/bit	AND complement of direct bit to carry flag	2	2	B0
ORL C,bit	OR direct bit to carry flag	2	2	72
ORL C,/bit	OR complement of direct bit to carry flag	2	2	A0
MOV C,bit	Move direct bit to carry flag	2	1	A2
MOV bit,C	Move carry flag to direct bit	2	2	92
Program and machine control				
ACALL addr11	Absolute subroutine call	2	2	•1addr
LCALL addr16	Long subroutine call	3	2	12
RET	Return from subroutine	1	2	22
RETI	Return from interrupt	1	2	32
AJMP addr11	Absolute jump	2	2	♦1addr
LJMP addr16	Long jump	3	2	02
SJMP rel	Short jump (relative address)	2	2	80
JMP @A+DPTR	Jump indirect relative to the DPTR	1	2	73
JZ rel	Jump if A is zero	2	2	60
JNZ rel	Jump if A is not zero	2	2	70
JC rel	Jump if carry flag is set	2	2	40
JNC rel	Jump if carry flag is not set	2	2	50
JB bit,rel	Jump if direct bit is set	3	2	20
JNB bit,rel	Jump if direct bit is not set	3	2	30
JBC bit,rel	Jump if direct bit is set and clear bit	3	2	10
CJNE A,direct,rel	Compare direct to A and jump if not equal	3	2	B5
CJNE A,#data,rel	Compare immediate to A and jump if not equal	3	2	B4
CJNE Rr,#data,rel	Compare immediate to register and jump if not equal	3	2	B*
CJNE @Ri,#data,rel	Compare immediate to indirect and jump if not equal	3	2	B6, B7
DJNZ Rr,rel	Decrement register and jump if not zero	2	2	D*
DJNZ direct,rel	Decrement direct and jump if not zero	3	2	D5
NOP	No operation	1	1	00

8-bit Flash microcontrollers

P89C738; P89C739

Table 33 Description of the mnemonics in the Instruction set

MNEMONIC	DESCRIPTION
Data addressing modes	
Rr	Working registers R0 to R7.
direct	128 internal RAM locations and any special function register (SFR).
@Ri	Indirect internal RAM location addressed by register R0 or R1 of the actual register bank.
#data	8-bit constant included in instruction.
#data 16	16-bit constant included as bytes 2 and 3 of instruction.
bit	Direct addressed bit in internal RAM or SFR.
addr16	16-bit destination address. Used by LCALL and LJMP. The branch will be anywhere within the 64 kbytes Program Memory address space.
addr11	11-bit destination address. Used by ACALL and AJMP. The branch will be within the same 2 kbytes page of Program Memory as the first byte of the following instruction.
rel	Signed (two's complement) 8-bit offset byte. Used by SJMP and all conditional jumps. Range is -128 to +127 bytes relative to first byte of the following instruction.
Hexadecimal opcode cross-reference	
*	8, 9, A, B, C, D, E, F.
•	1, 3, 5, 7, 9, B, D, F.
♦	0, 2, 4, 6, 8, A, C, E.

8-bit Flash microcontrollers

P89C738; P89C739

Table 34 Instruction map

First hexadecimal character of opcode				← Second hexadecimal character of opcode →												
↓	0	1	2	3	4	5	6	7	8	9	A	B	C	D	E	F
0	NOP	AJMP addr11	LJMP addr16	RR A	INC A	INC direct	INC @Ri 0 1		INC Rr 0 1 2 3 4 5 6 7							
1	JBC bit,rel	ACALL addr11	LCALL addr16	RRC A	DEC A	DEC direct	DEC @Ri 0 1		DEC Rr 0 1 2 3 4 5 6 7							
2	JB bit,rel	AJMP addr11	RET	RL A	ADD A,#data	ADD A,direct	ADD A,@Ri 0 1		ADD A,Rr 0 1 2 3 4 5 6 7							
3	JNB bit,rel	ACALL addr11	RETI	RLC A	ADDC A,#data	ADDC A,direct	ADDC A,@Ri 0 1		ADDC A,Rr 0 1 2 3 4 5 6 7							
4	JC rel	AJMP addr11	ORL direct,A	ORL direct,#data	ORL A,#data	ORL A,direct	ORL A,@Ri 0 1		ORL A,Rr 0 1 2 3 4 5 6 7							
5	JNC rel	ACALL addr11	ANL direct,A	ANL direct,#data	ANL A,#data	ANL A,direct	ANL A,@Ri 0 1		ANL A,Rr 0 1 2 3 4 5 6 7							
6	JZ rel	AJMP addr11	XRL direct,A	XRL direct,#data	XRL A,#data	XRL A,direct	XRL A,@Ri 0 1		XRL A,Rr 0 1 2 3 4 5 6 7							
7	JNZ rel	ACALL addr11	ORL C,bit	JMP @A+DPTR	MOV A,#data	MOV direct,#data	MOV @Ri,#data 0 1		MOV Rr,#data 0 1 2 3 4 5 6 7							
8	SJMP rel	AJMP addr11	ANL C,bit	MOVC A,@A+PC	DIV AB	MOV direct,direct	MOV direct,@Ri 0 1		MOV direct,Rr 0 1 2 3 4 5 6 7							
9	MOV DTPR,#data16	ACALL addr11	MOV bit,C	MOVC A,@A+DPTR	SUBB A,#data	SUBB A,direct	SUBB A,@Ri 0 1		SUB A,Rr 0 1 2 3 4 5 6 7							
A	ORL C,/bit	AJMP addr11	MOV bit,C	INC DPTR	MUL AB		MOV @Ri,direct 0 1		MOV Rr,direct 0 1 2 3 4 5 6 7							
B	ANL C,/bit	ACALL addr11	CPL bit	CPL C	CJNE A,#data,rel	CJNE A,direct,rel	CJNE @Ri,#data,rel 0 1		CJNE Rr,#data,rel 0 1 2 3 4 5 6 7							
C	PUSH direct	AJMP addr11	CLR bit	CLR C	SWAP A	XCH A,direct	XCH A,@Ri 0 1		XCH A,Rr 0 1 2 3 4 5 6 7							
D	POP direct	ACALL addr11	SETB bit	SETB C	DA A	DJNZ direct,rel	XCHD A,@Ri 0 1		DJNZ Rr,rel 0 1 2 3 4 5 6 7							
E	MOVX A,@DTPR	AJMP addr11	MOVX A,@Ri 0 1		CLR A	MOV A,direct ⁽¹⁾	MOV A,@Ri 0 1		MOV A,Rr 0 1 2 3 4 5 6 7							
F	MOVX @DTPR,A	ACALL addr11	MOVX @Ri,A 0 1		CPL A	MOV direct,A	MOV @Ri,A 0 1		MOV Rr,A 0 1 2 3 4 5 6 7							

Note

- MOV A, ACC is not a valid instruction.

8-bit Flash microcontrollers

P89C738; P89C739

19 LIMITING VALUES

In accordance with the Absolute Maximum Rating System (IEC 134).

SYMBOL	PARAMETER	MIN.	MAX.	UNIT
V_{DD}	supply voltage	-0.5	+6.5	V
V_I	input voltage on any pin with respect to ground (V_{SS})	-0.5	$V_{DD} + 0.5$	V
P_{tot}	total power dissipation	-	1	W
T_{stg}	storage temperature	-65	+150	°C
T_{amb}	operating ambient temperature	0	70	°C

20 DC CHARACTERISTICS

$V_{DD} = 5\text{ V} \pm 10\%$; $V_{SS} = 0\text{ V}$; $T_{amb} = 0\text{ to }+70\text{ °C}$; all voltages with respect to V_{SS} unless otherwise specified.

SYMBOL	PARAMETER	CONDITIONS	MIN.	MAX.	UNIT
Supply					
V_{DD}	supply voltage		4.5	5.5	V
I_{DD}	supply current operating	$V_{DD} = 6\text{ V}$; $f_{clk} = 24\text{ MHz}$; notes 1 and 2	-	60	mA
$I_{DD(id)}$	supply current Idle mode	$V_{DD} = 6.5\text{ V} \pm 10\%$; $f_{clk} = 24\text{ MHz}$; notes 2 and 3	-	25	mA
$I_{DD(pd)}$	supply current Power-down mode	$2\text{ V} \leq V_{PD} \leq V_{DD(max)}$; note 4	-	100	μA
Inputs					
V_{IL}	LOW-level input voltage; except \overline{EA}		-0.5	$0.2V_{DD} - 1$	V
V_{IL1}	LOW-level input voltage \overline{EA}		-0.5	$0.2V_{DD} - 0.3$	V
V_{IH}	HIGH-level input voltage (except RST and XTAL1)		$0.2V_{DD} + 0.9$	$V_{DD} + 0.5$	V
V_{IH1}	HIGH-level input voltage RST and XTAL1		$0.7V_{DD}$	$V_{DD} + 0.5$	V
I_{IL}	input current logic 0 Ports 1, 2, 3, 4 and 5	$V_I = 0.45\text{ V}$	-	-50	μA
I_{ITL}	input current HIGH-to-LOW transition Ports 1, 2, 3, 4 and 5	$V_I = 2.0\text{ V}$	-	-650	μA
I_{LI1}	input leakage current Port 0 and \overline{EA}	$0.45 < V_I < V_{DD}$	-	± 10	μA
Outputs					
V_{OL}	LOW-level output voltage Ports 1, 2, 3, 4 and 5	$I_{OL} = 1.6\text{ mA}$; notes 5 and 6	-	0.45	V
V_{OL1}	LOW-level output voltage Port 0, ALE and PSEN	$I_{OL} = 3.2\text{ mA}$; notes 5 and 6	-	0.45	V
V_{OH}	HIGH-level output voltage Ports 1, 2, 3, 4 and 5	$I_{OH} = -60\text{ }\mu\text{A}$; $V_{DD} = 5\text{ V} \pm 10\%$	2.4	-	V
		$I_{OH} = -25\text{ }\mu\text{A}$	$0.75V_{DD}$	-	V
		$I_{OH} = -10\text{ }\mu\text{A}$	$0.9V_{DD}$	-	V

8-bit Flash microcontrollers

P89C738; P89C739

SYMBOL	PARAMETER	CONDITIONS	MIN.	MAX.	UNIT
V _{OH1}	HIGH level output voltage Port 0 in external bus mode, ALE, $\overline{\text{PSEN}}$ and RST	I _{OH} = -800 μ A; V _{DD} = 5 V \pm 10%	2.4	–	V
		I _{OH} = -300 μ A	0.75V _{DD}	–	V
		I _{OH} = -80 μ A; note 7	0.9V _{DD}	–	V
R _{RST}	RST pull-down resistor		40	100	k Ω
C _{I/O}	capacitance of input buffer	test frequency = 1 MHz; T _{amb} = 25 °C	–	10	pF

Notes

- The operating supply current is measured with all output pins disconnected; XTAL1 driven with t_r = t_f = 5 ns; V_{IL} = V_{SS} + 0.5 V; V_{IH} = V_{DD} - 0.5 V; XTAL2 not connected; $\overline{\text{EA}}$ = RST = Port 0 = V_{DD}; the Watchdog Timer is disabled (by the external reset).
- I_{DD(max)} at other frequencies can be derived from Fig.28.
- The Idle mode supply current is measured with all output pins disconnected; XTAL1 driven with t_r = t_f = 5 ns; V_{IL} = V_{SS} + 0.5 V; V_{IH} = V_{DD} - 0.5 V; XTAL2 not connected; the Watchdog Timer is disabled; $\overline{\text{EA}}$ = RST = V_{SS}; Port 0 = P1.6 = P1.7 = V_{DD}.
- The Power-down current is measured with all output pins disconnected; XTAL2 not connected; Watchdog Timer is disabled; EA = RST = XTAL1 = V_{SS}; Port 0 = P1.6 = P1.7 = V_{DD}.
- Capacitive loading on Port 0 and Port 2 may cause spurious noise pulses to be superimposed on the LOW-level output voltage of ALE, Port 1 and Port 3. The noise is due to external bus capacitance discharging into the Port 0 and Port 2 pins when these pins make a HIGH-to-LOW transition during bus operations. In the worst cases (capacitive loading >100 pF) the noise pulse on the ALE line may exceed 0.8 V. In such cases it may be desirable to provide ALE with a Schmitt trigger, or use an address latch with a Schmitt trigger STROBE input.
- Under steady state (non-transient) conditions, I_{OL} must be externally limited as follows:
 - Maximum I_{OL} per port pin: 10 mA.
 - Maximum I_{OL} per 8-bit port: Port 0 = 26 mA; Ports 1, 2, 3, 4 and 5 = 15 mA.
 - Maximum total I_{OL} for all output pins: 71 mA.
 - If I_{OL} exceeds the test condition, V_{OL} may exceed the related specification. Pins are not guaranteed to sink current greater than the listed test conditions.
- Capacitive loading on Port 0 and Port 2 may cause the HIGH-level output voltage on ALE and $\overline{\text{PSEN}}$ to momentarily fall below the 0.9V_{DD} specification when the address bits are stabilizing.

8-bit Flash microcontrollers

P89C738; P89C739

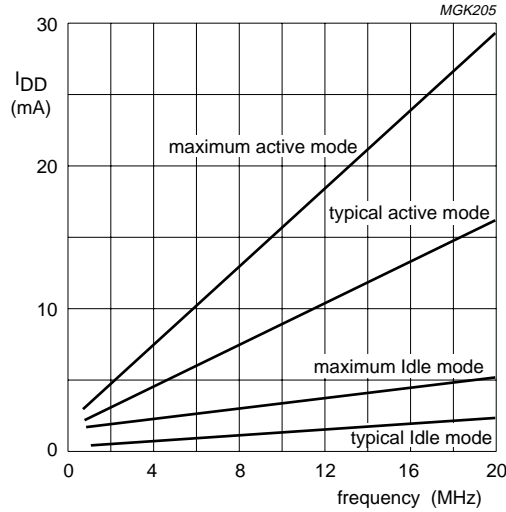


Fig.28 I_{DD} as function of frequency; valid only within frequency specifications of the device under test.

21 AC CHARACTERISTICS

$V_{DD} = 5\text{ V} \pm 10\%$; $V_{SS} = 0\text{ V}$; $T_{amb} = 0\text{ to }+70\text{ }^\circ\text{C}$; $t_{clk(min)} = 63\text{ ns}$; $C_I = 100\text{ pF}$ for Port 0, ALE and $\overline{\text{PSEN}}$; $C_I = 80\text{ pF}$ for all other outputs unless otherwise specified; $t_{clk(min)} = 1/f_{clk(max)}$; f_{clk} = clock frequency; t_{clk} = clock period.

SYMBOL	PARAMETER	12 MHz		16 MHz		24 MHz		40 MHz		VARIABLE CLOCK ⁽¹⁾		UNIT
		MIN.	MAX.	MIN.	MAX.	MIN.	MAX.	MIN.	MAX.	MIN.	MAX.	
External program memory												
t_{LHLL}	ALE pulse duration	127	–	85	–	43	–	35	–	$2t_{clk} - 40$	–	ns
t_{AVLL}	address set-up time to ALE	28	–	8	–	23	–	10	–	$t_{clk} - 55$	–	ns
t_{LLAX}	address hold time after ALE	48	–	28	–	21	–	10	–	$t_{clk} - 35$	–	ns
t_{LLIV}	time from ALE to valid instruction input	–	233	–	150	–	95	–	55	–	$4t_{clk} - 100$	ns
t_{LLPL}	time from ALE to control pulse $\overline{\text{PSEN}}$	43	–	23	–	28	–	10	–	$t_{clk} - 40$	–	ns
t_{PLPH}	control pulse duration $\overline{\text{PSEN}}$	205	–	143	–	90	–	60	–	$3t_{clk} - 45$	–	ns
t_{PLIV}	time from $\overline{\text{PSEN}}$ to valid instruction input	–	145	–	83	–	55	–	25	–	$3t_{clk} - 105$	ns

8-bit Flash microcontrollers

P89C738; P89C739

SYMBOL	PARAMETER	12 MHz		16 MHz		24 MHz		40 MHz		VARIABLE CLOCK ⁽¹⁾		UNIT
		MIN.	MAX.	MIN.	MAX.	MIN.	MAX.	MIN.	MAX.	MIN.	MAX.	
t _{PXIX}	input instruction hold time after PSEN	0	–	0	–	0	–	0	–	0	–	ns
t _{PXIZ}	input instruction float delay after PSEN	–	59	–	38	–	8	–	15	–	t _{clk} – 25	ns
t _{AVIV}	address to valid instruction input	–	312	–	208	–	125	–	65	–	5t _{clk} – 105	ns
t _{PLAZ}	PSEN to address float time	–	10	–	10	–	10	5	–	–	10	ns
External data memory												
t _{LHLL}	ALE pulse duration	127	–	85	–	43	–	35	–	2t _{clk} – 40	–	ns
t _{AVLL}	address set-up time to ALE	28	–	8	–	15	–	10	–	t _{clk} – 55	–	ns
t _{LLAX}	address hold time after ALE	48	–	28	–	21	–	10	–	t _{clk} – 35	–	ns
t _{RLRH}	RD pulse duration	400	–	275	–	149	–	120	–	6t _{clk} – 100	–	ns
t _{WLWH}	WR pulse duration	400	–	275	–	149	–	120	–	6t _{clk} – 100	–	ns
t _{RLDV}	RD to valid data input	–	252	–	148	–	118	–	30	–	5t _{clk} – 165	ns
t _{RHDX}	data hold time after RD	0	–	0	–	0	–	0	–	0	–	ns
t _{RHDZ}	data float delay after RD	–	97	–	55	–	40	–	15	–	2t _{clk} – 70	ns
t _{LLDV}	time from ALE to valid data input	–	517	–	350	–	183	–	110	–	8t _{clk} – 150	ns
t _{AVDV}	address to valid data input	–	585	–	398	–	209	–	130	–	9t _{clk} – 165	ns
t _{LLWL}	time from ALE to RD or WR	200	300	138	238	74	174	60	90	3t _{clk} – 50	3t _{clk} + 50	ns
t _{AVWL}	time from address to RD or WR	203	–	120	–	91	–	70	–	4t _{clk} – 130	–	ns
t _{WHLH}	time from RD or WR HIGH to ALE HIGH	43	123	23	103	21	66	10	40	t _{clk} – 40	t _{clk} + 40	ns
t _{QVWX}	data valid to WR transition	23	–	3	–	21	–	5	–	t _{clk} – 60	–	ns

8-bit Flash microcontrollers

P89C738; P89C739

SYMBOL	PARAMETER	12 MHz		16 MHz		24 MHz		40 MHz		VARIABLE CLOCK ⁽¹⁾		UNIT
		MIN.	MAX.	MIN.	MAX.	MIN.	MAX.	MIN.	MAX.	MIN.	MAX.	
t _{QVWH}	data set-up time before \overline{WR}	433	–	288	–	200	–	125	–	7t _{clk} – 150	–	ns
t _{WHQX}	data hold time after \overline{WR}	33	–	13	–	21	–	5	–	t _{clk} – 50	–	ns
t _{RLAZ}	address float delay after RD	–	0	–	0	–	0	–	0	–	0	ns

Note

1. The operating frequency is limited to: 3.5 MHz ≤ f_{clk} ≤ 40 MHz.

Table 35 External clock drive XTAL1

SYMBOL	PARAMETER	VARIABLE CLOCK		UNIT
		MIN.	MAX.	
f _{clk}	clock frequency	3.5	40	MHz
t _{CLCL}	clock period	63	833	ns
t _{CHCX}	high time	20	t _{clk} – t _{CLCX}	ns
t _{CLCX}	low time	20	t _{clk} – t _{CHCX}	ns
t _{CLCH}	rise time	–	20	ns
t _{CHCL}	fall time	–	20	ns
t _{CY}	cycle time (t _{CY} = 12t _{clk})	0.75	10	μs

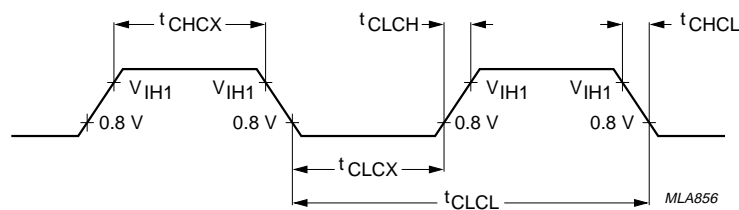
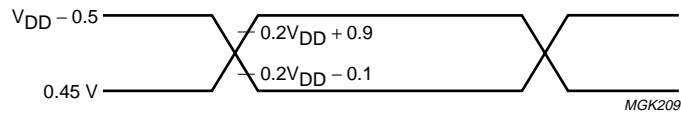


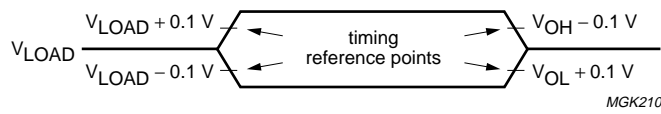
Fig.29 External clock drive XTAL1.

8-bit Flash microcontrollers

P89C738; P89C739



a. Output waveform.



b. Float waveform

AC testing inputs are driven at 2.4 V for a logic 1 and 0.45 V for a logic 0.
 Timing measurements are taken at 2.0 V for a logic 1 and 0.8 V for a logic 0, see Fig.30a.
 The float state is defined as the point at which a Port 0 pin sinks 3.2 mA or sources 400 μ A at the voltage test levels, see Fig.30b.

Fig.30 AC testing input.

8-bit Flash microcontrollers

P89C738; P89C739

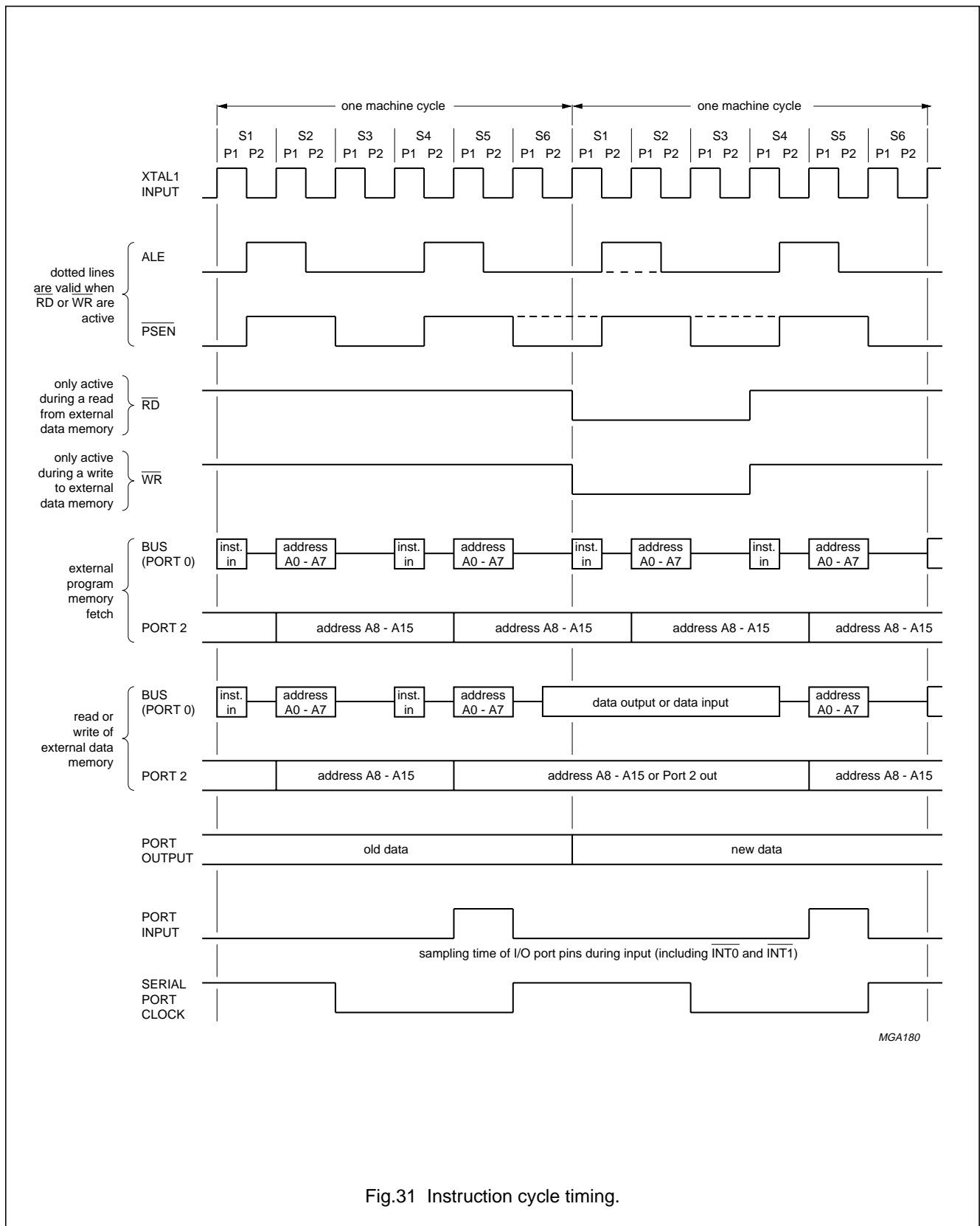


Fig.31 Instruction cycle timing.

8-bit Flash microcontrollers

P89C738; P89C739

21.1 Serial Port characteristics

Table 36 Serial Port timing: Shift Register mode

$V_{DD} = 5\text{ V} \pm 10\%$; $V_{SS} = 0\text{ V}$; $T_{amb} = 0\text{ to }70\text{ }^{\circ}\text{C}$; load capacitance = 80 pF.

SYMBOL	PARAMETER	12 MHz OSCILLATOR		VARIABLE OSCILLATOR		UNIT
		MIN.	MAX.	MIN.	MAX.	
t_{XLXL}	Serial Port clock cycle time	1	–	$12t_{clk}$	–	μs
t_{QVXH}	output data set-up to clock rising edge	700	–	$10t_{clk} - 133$	–	ns
t_{XHQX}	output data hold after clock rising edge	50	–	$2t_{clk} - 117$	–	ns
t_{XHDX}	input data hold after clock rising edge	0	–	0	–	ns
t_{XHDV}	clock rising edge to input data valid	–	700	–	$10t_{clk} - 133$	ns

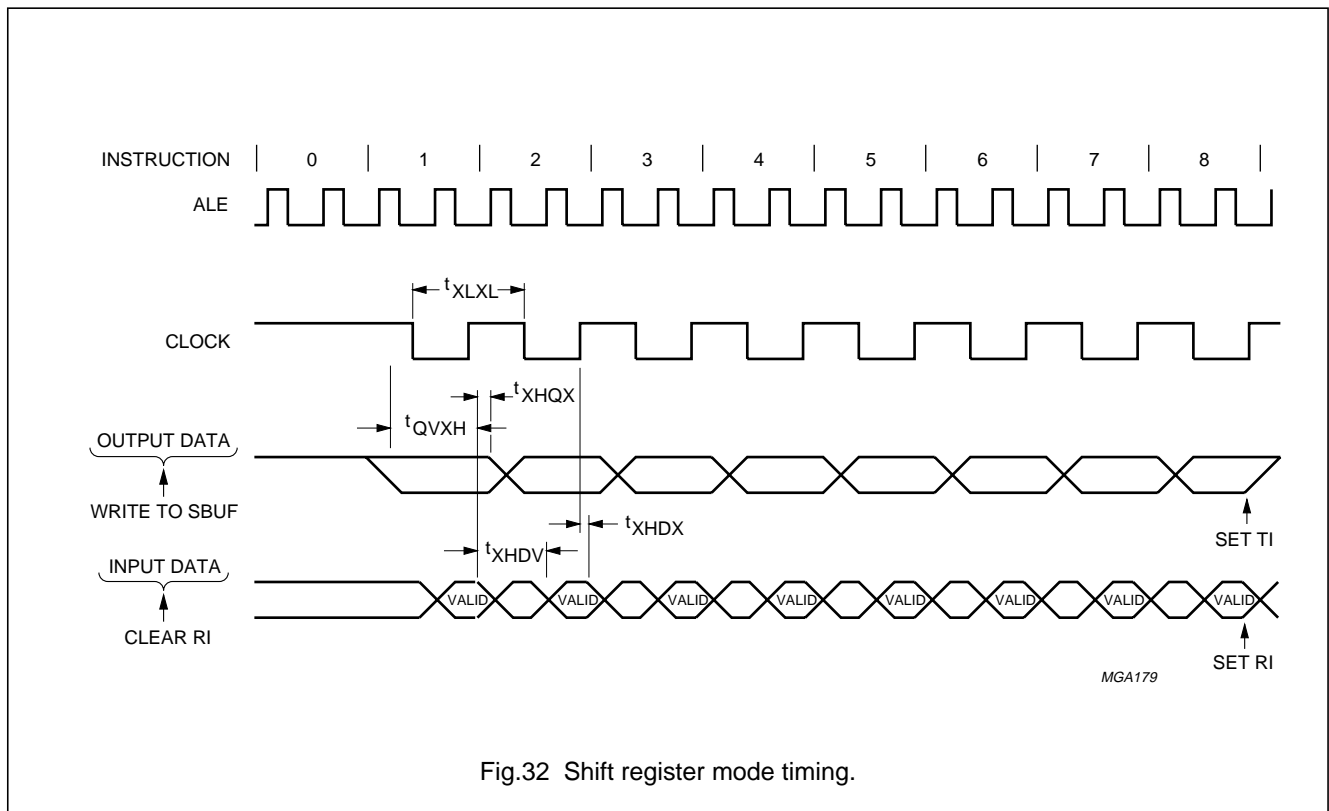
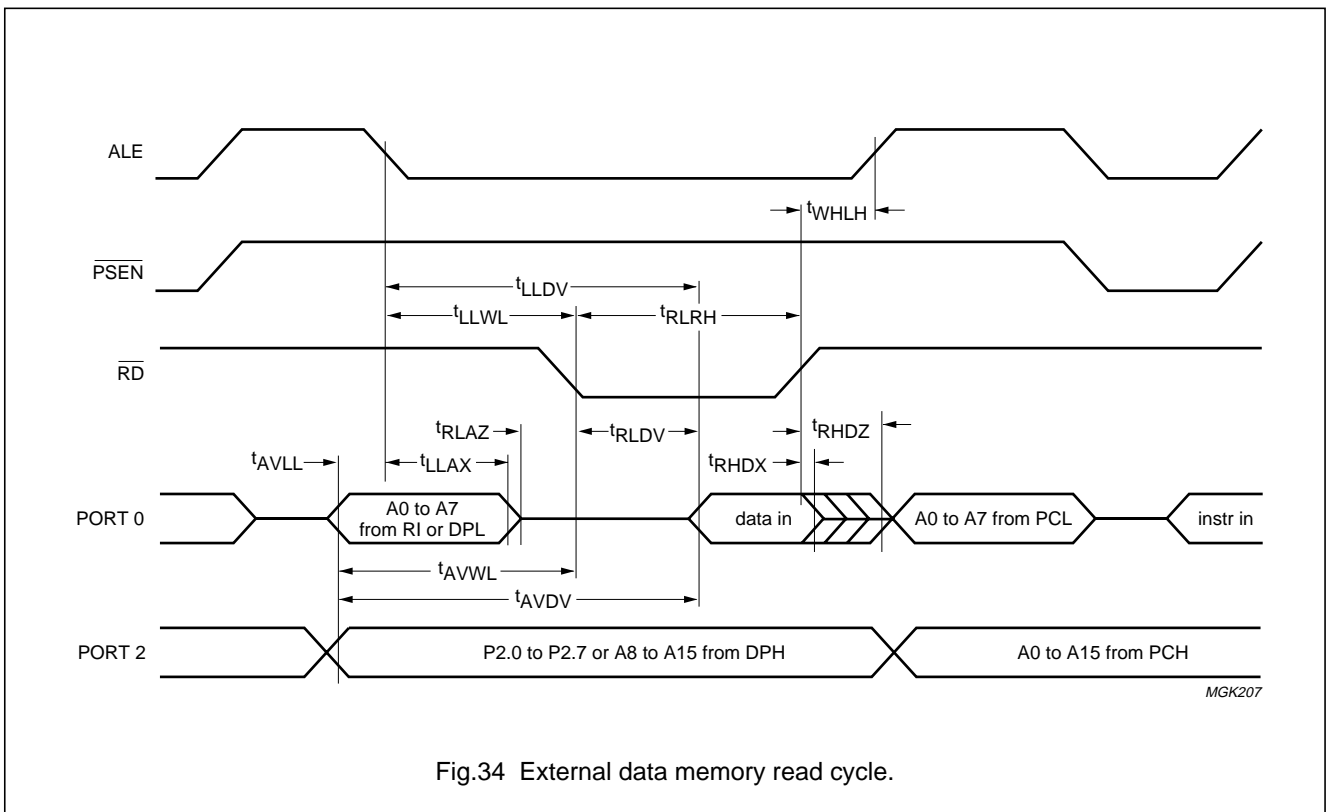
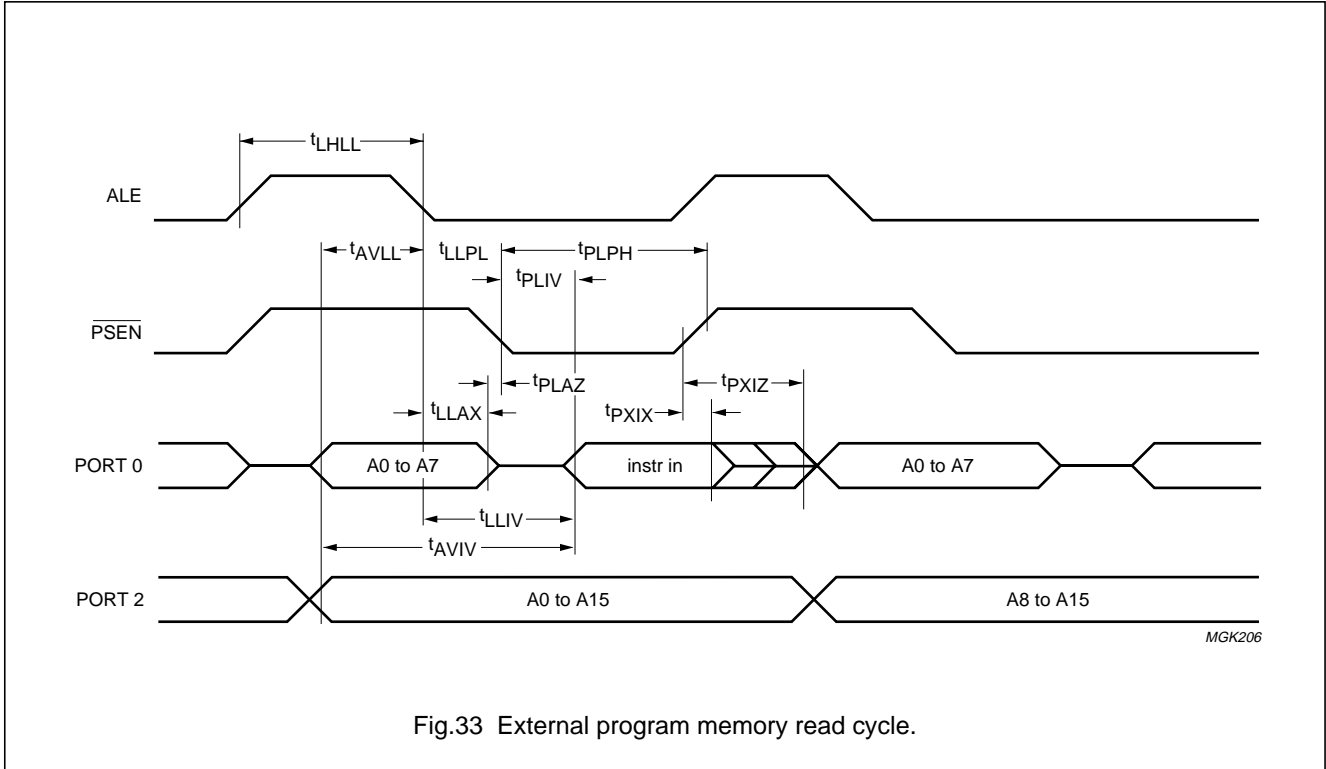


Fig.32 Shift register mode timing.

8-bit Flash microcontrollers

P89C738; P89C739

21.2 Timing waveforms



8-bit Flash microcontrollers

P89C738; P89C739

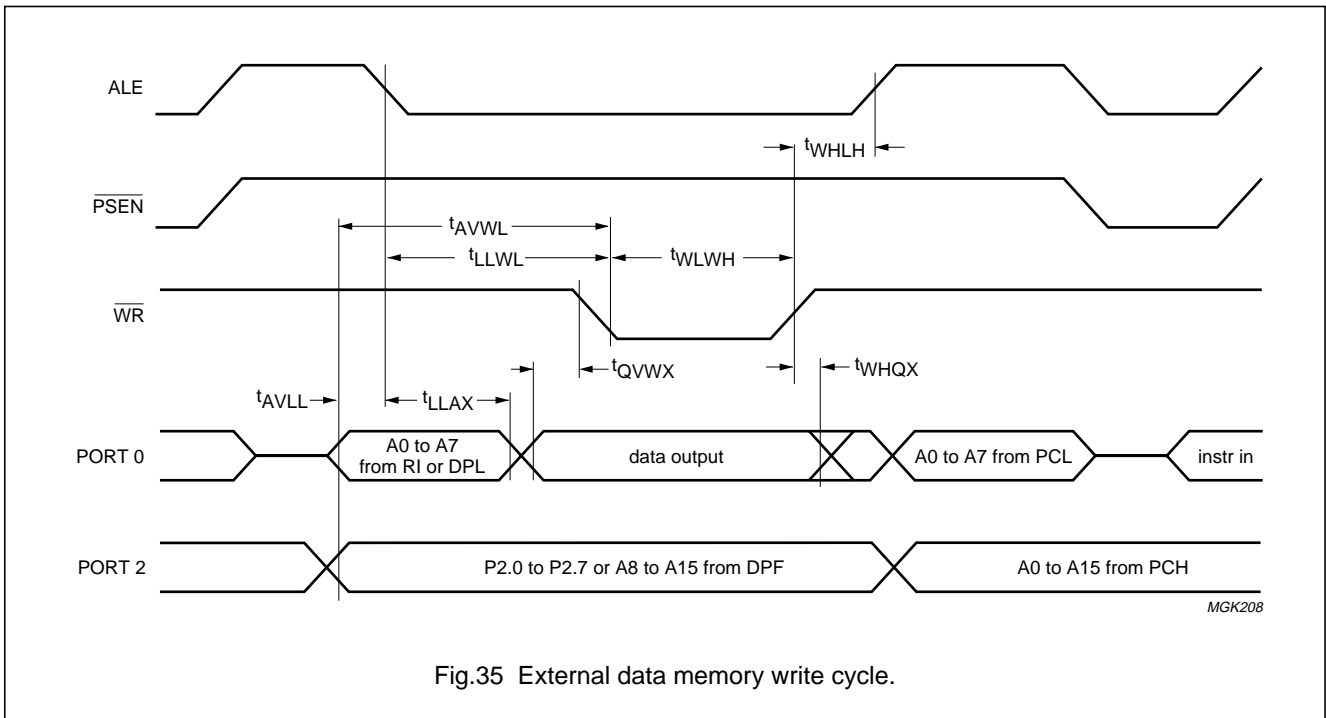


Fig.35 External data memory write cycle.

21.3 Timing symbol naming conventions

Each timing symbol has five characters. The first character is always a 't' (= time). The remaining four characters of the symbol (typed in subscript), depending on their relative positions, indicate the name of a signal or the logical status of that signal. The designations are as follows:

- A = address
- C = clock
- D = input data
- H = logic level HIGH
- I = instruction (program memory contents)
- L = Logic level LOW or ALE

- P = $\overline{\text{PSEN}}$
- Q = output data
- R = $\overline{\text{RD}}$ signal
- t = time
- V = valid
- W = $\overline{\text{WR}}$ signal
- X = no longer a valid logic level
- Z = float.

Examples:

- t_{AVLL} = time for address valid to ALE LOW
- t_{LLPL} = time for ALE LOW to $\overline{\text{PSEN}}$ LOW.

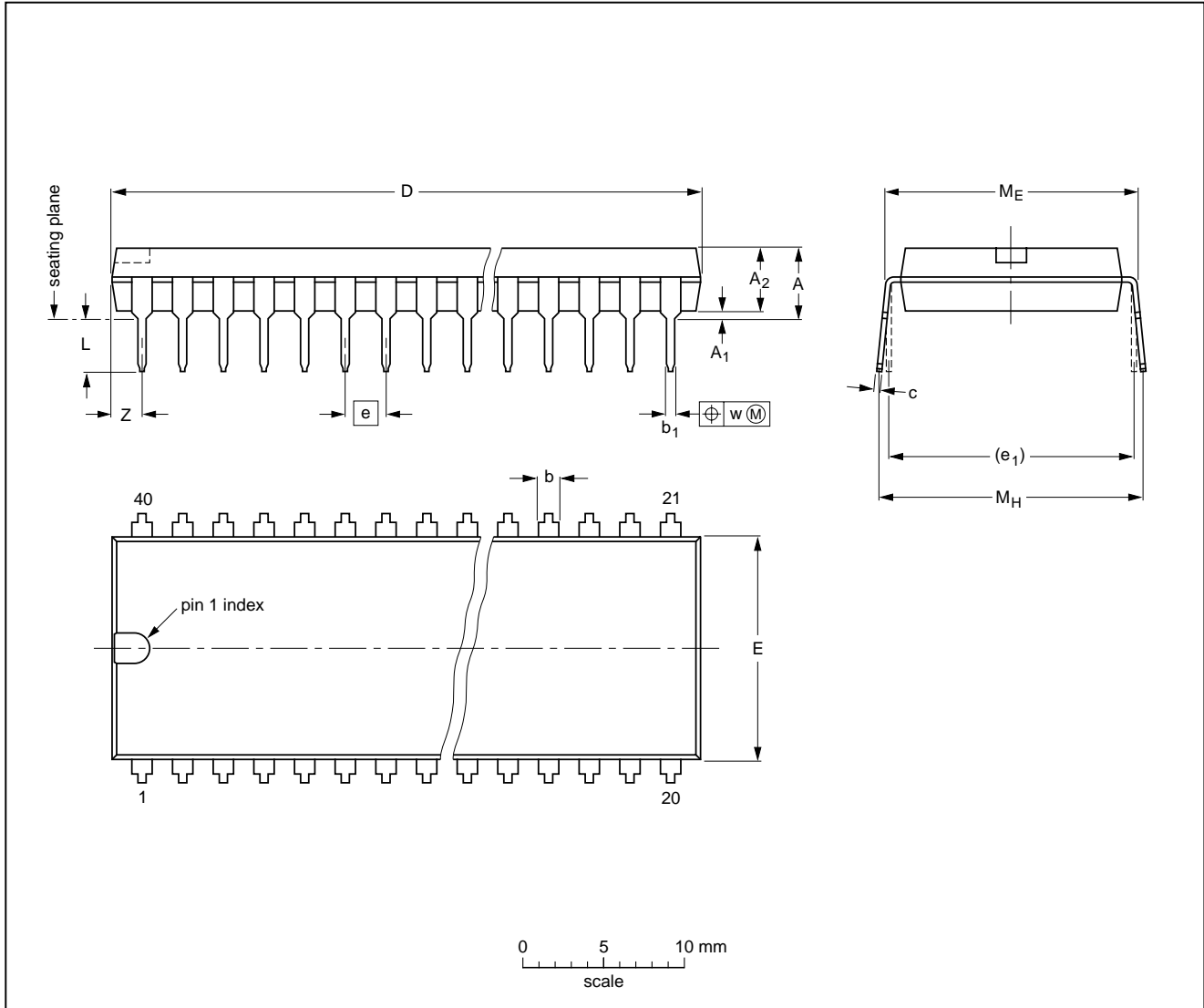
8-bit Flash microcontrollers

P89C738; P89C739

22 PACKAGE OUTLINES

DIP40: plastic dual in-line package; 40 leads (600 mil)

SOT129-1



DIMENSIONS (inch dimensions are derived from the original mm dimensions)

UNIT	A max.	A ₁ min.	A ₂ max.	b	b ₁	c	D ⁽¹⁾	E ⁽¹⁾	e	e ₁	L	M _E	M _H	w	z ⁽¹⁾ max.
mm	4.7	0.51	4.0	1.70 1.14	0.53 0.38	0.36 0.23	52.50 51.50	14.1 13.7	2.54	15.24	3.60 3.05	15.80 15.24	17.42 15.90	0.254	2.25
inches	0.19	0.020	0.16	0.067 0.045	0.021 0.015	0.014 0.009	2.067 2.028	0.56 0.54	0.10	0.60	0.14 0.12	0.62 0.60	0.69 0.63	0.01	0.089

Note

1. Plastic or metal protrusions of 0.25 mm maximum per side are not included.

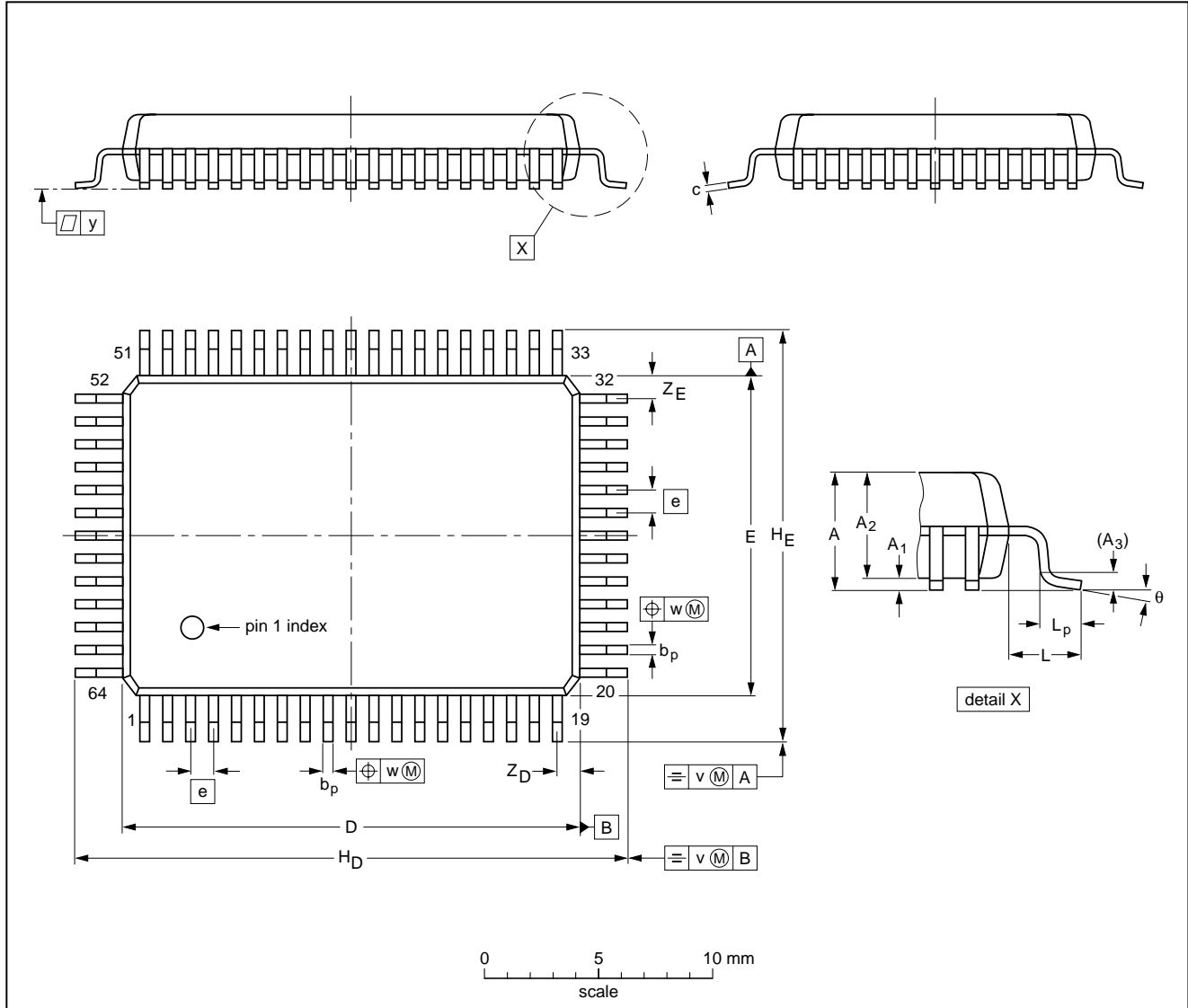
OUTLINE VERSION	REFERENCES				EUROPEAN PROJECTION	ISSUE DATE
	IEC	JEDEC	EIAJ			
SOT129-1	051G08	MO-015AJ				92-11-17 95-01-14

8-bit Flash microcontrollers

P89C738; P89C739

QFP64: plastic quad flat package;
64 leads (lead length 1.95 mm); body 14 x 20 x 2.7 mm; high stand-off height

SOT319-1



DIMENSIONS (mm are the original dimensions)

UNIT	A max.	A ₁	A ₂	A ₃	b _p	c	D ⁽¹⁾	E ⁽¹⁾	e	H _D	H _E	L	L _p	v	w	y	Z _D ⁽¹⁾	Z _E ⁽¹⁾	θ
mm	3.3	0.36 0.10	2.87 2.57	0.25	0.50 0.35	0.25 0.13	20.1 19.9	14.1 13.9	1	24.2 23.6	18.2 17.6	1.95	1.0 0.6	0.2	0.2	0.1	1.2 0.8	1.2 0.8	7° 0°

Note

1. Plastic or metal protrusions of 0.25 mm maximum per side are not included.

OUTLINE VERSION	REFERENCES				EUROPEAN PROJECTION	ISSUE DATE
	IEC	JEDEC	EIAJ			
SOT319-1						95-02-04 97-08-01

8-bit Flash microcontrollers

P89C738; P89C739

23 SOLDERING**23.1 Introduction**

There is no soldering method that is ideal for all IC packages. Wave soldering is often preferred when through-hole and surface mounted components are mixed on one printed-circuit board. However, wave soldering is not always suitable for surface mounted ICs, or for printed-circuits with high population densities. In these situations reflow soldering is often used.

This text gives a very brief insight to a complex technology. A more in-depth account of soldering ICs can be found in our *"Data Handbook IC26; Integrated Circuit Packages"* (order code 9398 652 90011).

23.2 DIP**23.2.1 SOLDERING BY DIPPING OR BY WAVE**

The maximum permissible temperature of the solder is 260 °C; solder at this temperature must not be in contact with the joint for more than 5 seconds. The total contact time of successive solder waves must not exceed 5 seconds.

The device may be mounted up to the seating plane, but the temperature of the plastic body must not exceed the specified maximum storage temperature ($T_{stg\ max}$). If the printed-circuit board has been pre-heated, forced cooling may be necessary immediately after soldering to keep the temperature within the permissible limit.

23.2.2 REPAIRING SOLDERED JOINTS

Apply a low voltage soldering iron (less than 24 V) to the lead(s) of the package, below the seating plane or not more than 2 mm above it. If the temperature of the soldering iron bit is less than 300 °C it may remain in contact for up to 10 seconds. If the bit temperature is between 300 and 400 °C, contact may be up to 5 seconds.

23.3 PLCC and QFP**23.3.1 REFLOW SOLDERING**

Reflow soldering techniques are suitable for all PLCC and QFP packages.

The choice of heating method may be influenced by larger plastic PLCC and QFP packages (44 leads, or more). If infrared or vapour phase heating is used and the large packages are not absolutely dry (less than 0.1% moisture content by weight), vaporization of the small amount of moisture in them can cause cracking of the plastic body. For details, refer to the Drypack information in the

"Data Handbook IC26; Integrated Circuit Packages; Section: Packing Methods".

Reflow soldering requires solder paste (a suspension of fine solder particles, flux and binding agent) to be applied to the printed-circuit board by screen printing, stencilling or pressure-syringe dispensing before package placement.

Several methods exist for reflowing; for example, infrared/convection heating in a conveyor type oven. Throughput times (preheating, soldering and cooling) vary between 50 and 300 seconds depending on heating method. Typical reflow peak temperatures range from 215 to 250 °C.

23.3.2 WAVE SOLDERING**23.3.2.1 PLCC**

Wave soldering techniques can be used for all PLCC packages if the following conditions are observed:

- A double-wave (a turbulent wave with high upward pressure followed by a smooth laminar wave) soldering technique should be used.
- The longitudinal axis of the package footprint must be parallel to the solder flow.
- The package footprint must incorporate solder thieves at the downstream corners.

23.3.2.2 QFP

Wave soldering is **not** recommended for QFP packages. This is because of the likelihood of solder bridging due to closely-spaced leads and the possibility of incomplete solder penetration in multi-lead devices.

CAUTION

Wave soldering is NOT applicable for all QFP packages with a pitch (e) equal or less than 0.5 mm.

If wave soldering cannot be avoided, for QFP packages with a pitch (e) larger than 0.5 mm, the following conditions must be observed:

- A double-wave (a turbulent wave with high upward pressure followed by a smooth laminar wave) soldering technique should be used.
- The footprint must be at an angle of 45° to the board direction and must incorporate solder thieves downstream and at the side corners.

8-bit Flash microcontrollers

P89C738; P89C739

23.3.2.3 Method (PLCC and QFP)

During placement and before soldering, the package must be fixed with a droplet of adhesive. The adhesive can be applied by screen printing, pin transfer or syringe dispensing. The package can be soldered after the adhesive is cured.

Maximum permissible solder temperature is 260 °C, and maximum duration of package immersion in solder is 10 seconds, if cooled to less than 150 °C within 6 seconds. Typical dwell time is 4 seconds at 250 °C.

A mildly-activated flux will eliminate the need for removal of corrosive residues in most applications.

23.3.3 REPAIRING SOLDERED JOINTS

Fix the component by first soldering two diagonally-opposite end leads. Use only a low voltage soldering iron (less than 24 V) applied to the flat part of the lead. Contact time must be limited to 10 seconds at up to 300 °C. When using a dedicated tool, all other leads can be soldered in one operation within 2 to 5 seconds between 270 and 320 °C.

24 DEFINITIONS

Data sheet status	
Objective specification	This data sheet contains target or goal specifications for product development.
Preliminary specification	This data sheet contains preliminary data; supplementary data may be published later.
Product specification	This data sheet contains final product specifications.
Limiting values	
Limiting values given are in accordance with the Absolute Maximum Rating System (IEC 134). Stress above one or more of the limiting values may cause permanent damage to the device. These are stress ratings only and operation of the device at these or at any other conditions above those given in the Characteristics sections of the specification is not implied. Exposure to limiting values for extended periods may affect device reliability.	
Application information	
Where application information is given, it is advisory and does not form part of the specification.	

25 LIFE SUPPORT APPLICATIONS

These products are not designed for use in life support appliances, devices, or systems where malfunction of these products can reasonably be expected to result in personal injury. Philips customers using or selling these products for use in such applications do so at their own risk and agree to fully indemnify Philips for any damages resulting from such improper use or sale.

Philips Semiconductors – a worldwide company

Argentina: see South America

Australia: 34 Waterloo Road, NORTH RYDE, NSW 2113, Tel. +61 2 9805 4455, Fax. +61 2 9805 4466

Austria: Computerstr. 6, A-1101 WIEN, P.O. Box 213, Tel. +43 160 1010, Fax. +43 160 101 1210

Belarus: Hotel Minsk Business Center, Bld. 3, r. 1211, Volodarski Str. 6, 220050 MINSK, Tel. +375 172 200 733, Fax. +375 172 200 773

Belgium: see The Netherlands

Brazil: see South America

Bulgaria: Philips Bulgaria Ltd., Energoproject, 15th floor, 51 James Bourchier Blvd., 1407 SOFIA, Tel. +359 2 689 211, Fax. +359 2 689 102

Canada: PHILIPS SEMICONDUCTORS/COMPONENTS, Tel. +1 800 234 7381

China/Hong Kong: 501 Hong Kong Industrial Technology Centre, 72 Tat Chee Avenue, Kowloon Tong, HONG KONG, Tel. +852 2319 7888, Fax. +852 2319 7700

Colombia: see South America

Czech Republic: see Austria

Denmark: Prags Boulevard 80, PB 1919, DK-2300 COPENHAGEN S, Tel. +45 32 88 2636, Fax. +45 31 57 0044

Finland: Sinikalliontie 3, FIN-02630 ESPOO, Tel. +358 9 615800, Fax. +358 9 61580920

France: 51 Rue Carnot, BP317, 92156 SURESNES Cedex, Tel. +33 1 40 99 6161, Fax. +33 1 40 99 6427

Germany: Hammerbrookstraße 69, D-20097 HAMBURG, Tel. +49 40 23 53 60, Fax. +49 40 23 536 300

Greece: No. 15, 25th March Street, GR 17778 TAVROS/ATHENS, Tel. +30 1 4894 339/239, Fax. +30 1 4814 240

Hungary: see Austria

India: Philips INDIA Ltd, Band Box Building, 2nd floor, 254-D, Dr. Annie Besant Road, Worli, MUMBAI 400 025, Tel. +91 22 493 8541, Fax. +91 22 493 0966

Indonesia: PT Philips Development Corporation, Semiconductors Division, Gedung Philips, Jl. Buncit Raya Kav.99-100, JAKARTA 12510, Tel. +62 21 794 0040 ext. 2501, Fax. +62 21 794 0080

Ireland: Newstead, Clonskeagh, DUBLIN 14, Tel. +353 1 7640 000, Fax. +353 1 7640 200

Israel: RAPAC Electronics, 7 Kehilat Saloniki St, PO Box 18053, TEL AVIV 61180, Tel. +972 3 645 0444, Fax. +972 3 649 1007

Italy: PHILIPS SEMICONDUCTORS, Piazza IV Novembre 3, 20124 MILANO, Tel. +39 2 6752 2531, Fax. +39 2 6752 2557

Japan: Philips Bldg 13-37, Kohnan 2-chome, Minato-ku, TOKYO 108, Tel. +81 3 3740 5130, Fax. +81 3 3740 5077

Korea: Philips House, 260-199 Itaewon-dong, Yongsan-ku, SEOUL, Tel. +82 2 709 1412, Fax. +82 2 709 1415

Malaysia: No. 76 Jalan Universiti, 46200 PETALING JAYA, SELANGOR, Tel. +60 3 750 5214, Fax. +60 3 757 4880

Mexico: 5900 Gateway East, Suite 200, EL PASO, TEXAS 79905, Tel. +9-5 800 234 7381

Middle East: see Italy

Netherlands: Postbus 90050, 5600 PB EINDHOVEN, Bldg. VB, Tel. +31 40 27 82785, Fax. +31 40 27 88399

New Zealand: 2 Wagener Place, C.P.O. Box 1041, AUCKLAND, Tel. +64 9 849 4160, Fax. +64 9 849 7811

Norway: Box 1, Manglerud 0612, OSLO, Tel. +47 22 74 8000, Fax. +47 22 74 8341

Pakistan: see Singapore

Philippines: Philips Semiconductors Philippines Inc., 106 Valero St. Salcedo Village, P.O. Box 2108 MCC, MAKATI, Metro MANILA, Tel. +63 2 816 6380, Fax. +63 2 817 3474

Poland: Ul. Lukiska 10, PL 04-123 WARSZAWA, Tel. +48 22 612 2831, Fax. +48 22 612 2327

Portugal: see Spain

Romania: see Italy

Russia: Philips Russia, Ul. Usatcheva 35A, 119048 MOSCOW, Tel. +7 095 755 6918, Fax. +7 095 755 6919

Singapore: Lorong 1, Toa Payoh, SINGAPORE 319762, Tel. +65 350 2538, Fax. +65 251 6500

Slovakia: see Austria

Slovenia: see Italy

South Africa: S.A. PHILIPS Pty Ltd., 195-215 Main Road Martindale, 2092 JOHANNESBURG, P.O. Box 7430 Johannesburg 2000, Tel. +27 11 470 5911, Fax. +27 11 470 5494

South America: Al. Vicente Pinzon, 173, 6th floor, 04547-130 SÃO PAULO, SP, Brazil, Tel. +55 11 821 2333, Fax. +55 11 821 2382

Spain: Balmes 22, 08007 BARCELONA, Tel. +34 3 301 6312, Fax. +34 3 301 4107

Sweden: Kottbygatan 7, Akalla, S-16485 STOCKHOLM, Tel. +46 8 5985 2000, Fax. +46 8 5985 2745

Switzerland: Allmendstrasse 140, CH-8027 ZÜRICH, Tel. +41 1 488 2741 Fax. +41 1 488 3263

Taiwan: Philips Semiconductors, 6F, No. 96, Chien Kuo N. Rd., Sec. 1, TAIPEI, Taiwan Tel. +886 2 2134 2865, Fax. +886 2 2134 2874

Thailand: PHILIPS ELECTRONICS (THAILAND) Ltd., 209/2 Sanpavuth-Bangna Road Prakanong, BANGKOK 10260, Tel. +66 2 745 4090, Fax. +66 2 398 0793

Turkey: Talatpasa Cad. No. 5, 80640 GÜLTEPE/ISTANBUL, Tel. +90 212 279 2770, Fax. +90 212 282 6707

Ukraine: PHILIPS UKRAINE, 4 Patrice Lumumba str., Building B, Floor 7, 252042 KIEV, Tel. +380 44 264 2776, Fax. +380 44 268 0461

United Kingdom: Philips Semiconductors Ltd., 276 Bath Road, Hayes, MIDDLESEX UB3 5BX, Tel. +44 181 730 5000, Fax. +44 181 754 8421

United States: 811 East Arques Avenue, SUNNYVALE, CA 94088-3409, Tel. +1 800 234 7381

Uruguay: see South America

Vietnam: see Singapore

Yugoslavia: PHILIPS, Trg N. Pasica 5/v, 11000 BEOGRAD, Tel. +381 11 625 344, Fax. +381 11 635 777

For all other countries apply to: Philips Semiconductors, International Marketing & Sales Communications, Building BE-p, P.O. Box 218, 5600 MD EINDHOVEN, The Netherlands, Fax. +31 40 27 24825

Internet: <http://www.semiconductors.philips.com>

© Philips Electronics N.V. 1998

SCA59

All rights are reserved. Reproduction in whole or in part is prohibited without the prior written consent of the copyright owner.

The information presented in this document does not form part of any quotation or contract, is believed to be accurate and reliable and may be changed without notice. No liability will be accepted by the publisher for any consequence of its use. Publication thereof does not convey nor imply any license under patent- or other industrial or intellectual property rights.

Printed in The Netherlands

455104/1200/02/pp64

Date of release: 1998 Apr 07

Document order number: 9397 750 03529

Let's make things better.

Philips
Semiconductors



PHILIPS