

SIEMENS



C515C

8-Bit CMOS Microcontroller

User's Manual 11.97

[http://www.siemens.de/
Semiconductor/](http://www.siemens.de/Semiconductor/)

Edition 11.97

Published by Siemens AG,
Bereich Halbleiter, Marketing-
Kommunikation, Balanstraße 73,
81541 München

**© Siemens AG 1997.
All Rights Reserved.**

Attention please!

As far as patents or other rights of third parties are concerned, liability is only assumed for components, not for applications, processes and circuits implemented within components or assemblies.

The information describes the type of component and shall not be considered as assured characteristics.

Terms of delivery and rights to change design reserved.

For questions on technology, delivery and prices please contact the Semiconductor Group Offices in Germany or the Siemens Companies and Representatives worldwide (see address list).

Due to technical requirements components may contain dangerous substances. For information on the types in question please contact your nearest Siemens Office, Semiconductor Group.

Siemens AG is an approved CECC manufacturer.

Packing

Please use the recycling operators known to you. We can also help you – get in touch with your nearest sales office. By agreement we will take packing material back, if it is sorted. You must bear the costs of transport.

For packing material that is returned to us unsorted or which we are not obliged to accept, we shall have to invoice you for any costs incurred.

Components used in life-support devices or systems must be expressly authorized for such purpose!

Critical components¹ of the Semiconductor Group of Siemens AG, may only be used in life-support devices or systems² with the express written approval of the Semiconductor Group of Siemens AG.

- 1 A critical component is a component used in a life-support device or system whose failure can reasonably be expected to cause the failure of that life-support device or system, or to affect its safety or effectiveness of that device or system.
- 2 Life support devices or systems are intended (a) to be implanted in the human body, or (b) to support and/or maintain and sustain human life. If they fail, it is reasonable to assume that the health of the user may be endangered.

C515C User's Manual		
Revision History :		11.97
Previous Releases :		06.96 (Original Version)
Page (new version)	Page (prev. version)	Subjects (changes since last revision)
general		C515C-8E OTP version included (new chapter 10) C515C AC/DC characteristics are now in chapter 11
1-1	1-1	Description of the new features of the C515C-8E; figure 1-1 modified
1-9	1-9	PSEN and ALE are activated every three (and not six) osc. periods
Table 1-1	Table 1-1	Ports 1 to 5 and 7 descriptions are corrected to <u>quasi</u> -bidirectional
2-2	2-2	Figure 2-1 modified for C515C-8E
3-2	3-2	Section 3.1 : C515C-8E version included
3-3, 3-11,	3-3, 3-11,	Description of SYSCON : bit CSWO and C515C-8E reset value added
4-4, 6-4,	4-4, 6-4,	
Tab.3-2/3-3	Tab.3-2/3-3	Description of PCON1 : bit WS and C515C-8E reset value added
Tab.3-2 /	Tab.3-2 /	
3-3, pg.9-2	3-3, pg.9-2	Reset value of P4 and table entry for bit P7.0 ($\overline{\text{INT7}}$) corrected;
3-17	3-17	Version registers for C515C-8E added
4-2, 4-5	4-2, 4-5	Figure 4-1 and 4-2 corrected
4-3	4-3	3rd paragraph of chapter 4.1.3 removed
4-10 - 4-12	4-10 - 4-12	Chapter 4.7 "ROM Protection..." enhanced for OTP verification
4-11	4-11	Figure 4-5 corrected
4-12	4-12	Figure 4-5 : OTP version reference added
6-6	6-6	Figure 6-4 and text : delay part corrected
6-10, 6-11	6-10, 6-11	Figures 6-7 and 6-8 : delay part corrected
6-18	6-18	Figure 6-14 corrected
6-39, 6-43	6-39, 6-43	Figure 6-22 and 6-26 : figure content exchanged
6-67	6-67	6.4.3.: first paragraph, divider range corrected
6-72	6-72	Baudrate selection bits corrected
6-105,	6-105,	multiple formulas corrected
6-106	6-106	
6-108	6-108	last paragraph added
6-109	-	Chapter 6.5.8 (CAN switch-off capability) added
7-2	7-2	Figure 7-1 : bit address for bit RXIE added
9-6, 9-7	9-6, 9-7	Adding P4.7/RXDC wake-up capability to the description
9-7	9-7	Figure 9-1 corrected
9-8	9-8	Additional text in last paragraph before 9.5
9-15	9-15	Note below figure 9-5 added
Chapter 10	-	New chapter : describes OTP programming of the C515C-8E
11-1	10-1	Minimum value for ambient temperature under bias corrected to -40°C
11-4 - 11-6	10-3	Improved and extended Icc specification
11-10	10-8	SSC timing parameter t_{SCLK} (master mode) and t_{HI} improved
11-11	10-10	Wrong figure "External Clock Cycle" exchanged with correct figure
11-14 to	-	Programming interface characteristics added
11-17		

Table of Contents		Page
1	Introduction	1-1
1.1	Pin Configuration	1-4
1.2	Pin Definitions and Functions	1-5
2	Fundamental Structure	2-1
2.1	CPU	2-3
2.2	CPU Timing	2-5
3	Memory Organization	3-1
3.1	Program Memory, "Code Space"	3-2
3.2	Data Memory, "Data Space"	3-2
3.3	General Purpose Registers	3-2
3.4	XRAM Operation	3-3
3.4.1	XRAM/CAN Controller Access Control	3-3
3.4.2	Accesses to XRAM using the DPTR (16-bit Addressing Mode)	3-5
3.4.3	Accesses to XRAM using the Registers R0/R1 (8-bit Addressing Mode)	3-5
3.4.4	Reset Operation of the XRAM	3-9
3.4.5	Behaviour of Port0 and Port2	3-9
3.5	Special Function Registers	3-11
4	External Bus Interface	4-1
4.1	Accessing External Memory	4-1
4.1.1	Role of P0 and P2 as Data/Address Bus	4-1
4.1.2	Timing	4-3
4.1.3	External Program Memory Access	4-3
4.2	PSEN, Program Store Enable	4-3
4.3	Overlapping External Data and Program Memory Spaces	4-3
4.4	ALE, Address Latch Enable	4-4
4.5	Enhanced Hooks Emulation Concept	4-5
4.6	Eight Datapointers for Faster External Bus Access	4-6
4.6.1	The Importance of Additional Datapointers	4-6
4.6.2	How the eight Datapointers of the C515C are realized	4-6
4.6.3	Advantages of Multiple Datapointers	4-7
4.6.4	Application Example and Performance Analysis	4-7
4.7	ROM/OTP Protection for the C515C-8R / C515C-8E	4-10
4.7.1	Unprotected ROM Mode	4-10
4.7.2	Protected ROM/OTP Mode	4-11
5	Reset and System Clock Operation	5-1
5.1	Hardware Reset Operation	5-1
5.2	Hardware Reset Timing	5-3
5.3	Fast Internal Reset after Power-On	5-4
5.4	Oscillator and Clock Circuit	5-6
5.5	System Clock Output	5-8

Table of Contents		Page
6	On-Chip Peripheral Components	6-1
6.1	Parallel I/O	6-1
6.1.1	Port Structures	6-1
6.1.1.1	Port Structure Selection	6-3
6.1.1.2	Quasi-Bidirectional Port Structure	6-5
6.1.1.2.1	Basic Port Circuitry of Port 1 to 5 and 7	6-5
6.1.1.2.2	Port 0 Circuitry	6-8
6.1.1.2.3	Port 0 and Port 2 used as Address/Data Bus	6-9
6.1.1.2.4	SSC Port Pins of Port 4	6-10
6.1.1.3	Bidirectional (CMOS) Port Structure of Port 5	6-12
6.1.1.3.1	Input Mode	6-12
6.1.1.3.2	Output Mode	6-13
6.1.1.3.3	Hardware Power Down Mode	6-15
6.1.2	Alternate Functions of Ports	6-16
6.1.3	Port Handling	6-18
6.1.3.1	Port Timing	6-18
6.1.3.2	Port Loading and Interfacing	6-19
6.1.3.3	Read-Modify-Write Feature of Ports 1 to 5 and 7	6-19
6.2	Timers/Counters	6-21
6.2.1	Timer/Counter 0 and 1	6-21
6.2.1.1	Timer/Counter 0 and 1 Registers	6-22
6.2.1.2	Mode 0	6-25
6.2.1.3	Mode 1	6-26
6.2.1.4	Mode 2	6-27
6.2.1.5	Mode 3	6-28
6.2.2	Timer/Counter 2 with Additional Compare/Capture/Reload	6-29
6.2.2.1	Timer 2 Registers	6-31
6.2.2.2	Timer 2 Operation	6-36
6.2.2.3	Compare Function of Registers CRC, CC1 to CC3	6-38
6.2.2.3.1	Compare Mode 0	6-38
6.2.2.3.2	Modulation Range in Compare Mode 0	6-40
6.2.2.3.3	Compare Mode 1	6-42
6.2.2.4	Using Interrupts in Combination with the Compare Function	6-44
6.2.2.5	Capture Function	6-46
6.3	Serial Interface	6-48
6.3.1	Multiprocessor Communication	6-49
6.3.2	Serial Port Registers	6-49
6.3.3	Baud Rate Generation	6-51
6.3.3.1	Baud Rate in Mode 0	6-52
6.3.3.2	Baud Rate in Mode 2	6-52
6.3.3.3	Baud Rate in Mode 1 and 3	6-53
6.3.3.3.1	Using the Internal Baud Rate Generator	6-53
6.3.3.3.2	Using Timer 1 to Generate Baud Rates	6-55
6.3.4	Details about Mode 0	6-56
6.3.5	Details about Mode 1	6-59

Table of Contents		Page
6.3.6	Details about Modes 2 and 3	6-62
6.4	SSC Interface	6-65
6.4.1	General Operation of the SSC	6-66
6.4.2	Enable/Disable Control	6-66
6.4.3	Baudrate Generation (Master Mode only)	6-67
6.4.4	Write Collision Detection	6-67
6.4.5	Master/Slave Mode Selection	6-68
6.4.6	Data/Clock Timing Relationships	6-69
6.4.6.1	Master Mode Operation	6-69
6.4.6.2	Slave Mode Operation	6-70
6.4.7	Register Description	6-71
6.5	The On-Chip CAN Controller	6-76
6.5.1	Basic CAN Controller Functions	6-77
6.5.2	CAN Register Description	6-81
6.5.2.1	General Registers	6-81
6.5.2.2	The Message Object Registers / Data Bytes	6-91
6.5.3	Handling of Message Objects	6-97
6.5.4	Initialization and Reset	6-104
6.5.5	Configuration of the Bit Timing	6-105
6.5.5.1	Hard Synchronization and Resynchronization	6-106
6.5.5.2	Calculation of the Bit Time	6-106
6.5.6	CAN Interrupt Handling	6-107
6.5.7	CAN Controller in Power Saving Modes	6-108
6.5.8	Switch-off Capability of the CAN Controller (C515C-8E only)	6-109
6.5.9	Configuration Examples of a Transmission Object	6-110
6.5.10	Configuration Examples of a Reception Object	6-111
6.5.11	The CAN Application Interface	6-112
6.6	A/D Converter	6-113
6.6.1	A/D Converter Operation	6-113
6.6.2	A/D Converter Registers	6-115
6.6.3	A/D Converter Clock Selection	6-119
6.6.4	A/D Conversion Timing	6-120
6.6.5	A/D Converter Calibration	6-124
7	Interrupt System	7-1
7.1	Interrupt Registers	7-5
7.1.1	Interrupt Enable Registers	7-5
7.1.2	Interrupt Request / Control Flags	7-8
7.1.3	Interrupt Priority Registers	7-14
7.2	Interrupt Priority Level Structure	7-15
7.3	How Interrupts are Handled	7-16
7.4	External Interrupts	7-18
7.5	Interrupt Response Time	7-20

Table of Contents		Page
8	Fail Safe Mechanisms	8-1
8.1	Programmable Watchdog Timer	8-1
8.1.1	Input Clock Selection	8-2
8.1.2	Watchdog Timer Control / Status Flags	8-3
8.1.3	Starting the Watchdog Timer	8-4
8.1.3.1	The First Possibility of Starting the Watchdog Timer	8-4
8.1.3.2	The Second Possibility of Starting the Watchdog Timer	8-4
8.1.4	Refreshing the Watchdog Timer	8-5
8.1.5	Watchdog Reset and Watchdog Status Flag	8-5
8.2	Oscillator Watchdog Unit	8-6
9	Power Saving Modes	9-1
9.1	Power Saving Mode Control Registers	9-1
9.2	Idle Mode	9-3
9.3	Slow Down Mode Operation	9-5
9.4	Software Power Down Mode	9-6
9.4.1	Invoking Software Power Down Mode	9-6
9.4.2	Exit from Software Power Down Mode	9-7
9.5	State of Pins in Software Initiated Power Saving Modes	9-8
9.6	Hardware Power Down Mode	9-9
9.7	Hardware Power Down Reset Timing	9-11
9.8	CPUR Signal	9-15
10	OTP Memory Operation (C515C-8E only)	10-1
10.1	Programming Configuration	10-1
10.2	Pin Configuration	10-2
10.3	Pin Definitions	10-3
10.4	Programming Mode Selection	10-5
10.4.1	Basic Programming Mode Selection	10-5
10.4.2	OTP Memory Access Mode Selection	10-6
10.5	Program / Read OTP Memory Bytes	10-7
10.6	Lock Bits Programming / Read	10-9
10.7	Access of Version Bytes	10-11
11	Device Specifications	11-1
11.1	Absolute Maximum Ratings	11-1
11.2	DC Characteristics	11-2
11.3	A/D Converter Characteristics	11-6
11.4	AC Characteristics for C515C	11-8
11.5	OTP Memory Programming Mode Characteristics	11-14
11.6	ROM/OTP Verification Characteristics for C515C-8R / C515C-8E	11-18
11.7	Package Information	11-21
12	Index	12-1

1 Introduction

The C515C is an enhanced, upgraded version of the SAB 80C515A 8-bit microcontroller which additionally provides a full CAN interface, a SPI compatible synchronous serial interface, extended power save provisions, additional on-chip RAM, 64K byte of on-chip program memory, two new external interrupts and RFI related improvements. With a maximum external clock rate of 10 MHz it achieves a 600 ns instruction cycle time (1 μ s at 6 MHz).

The C515C-8R contains a non-volatile 64k byte read-only program memory. The C515C-L is identical to the C515C-8R, except that it lacks the on-chip program memory. The C515C-8E is the OTP version in the C515C microcontroller with a 64k byte one-time programmable (OTP) program memory. With the C515C-8E fast programming cycles are achieved (1 byte in 100 μ sec). Also several levels of OTP memory protection can be selected. If compared to the C515C-8R and C515C-L, the C515C-8E OTP version additionally provides two features :

- the wake-up from software power down mode can, additionally to the external pin P3.2/ $\overline{\text{INT0}}$ wake-up capability, also be triggered alternatively by a second pin P4.7/RXDC.
- for power consumption reasons the on-chip CAN controller can be switched off

The term C515C refers to all versions within this documentation unless otherwise noted.

Figure 1-1 shows the different functional units of the C515C and **figure 1-2** shows the simplified logic symbol of the C515C.

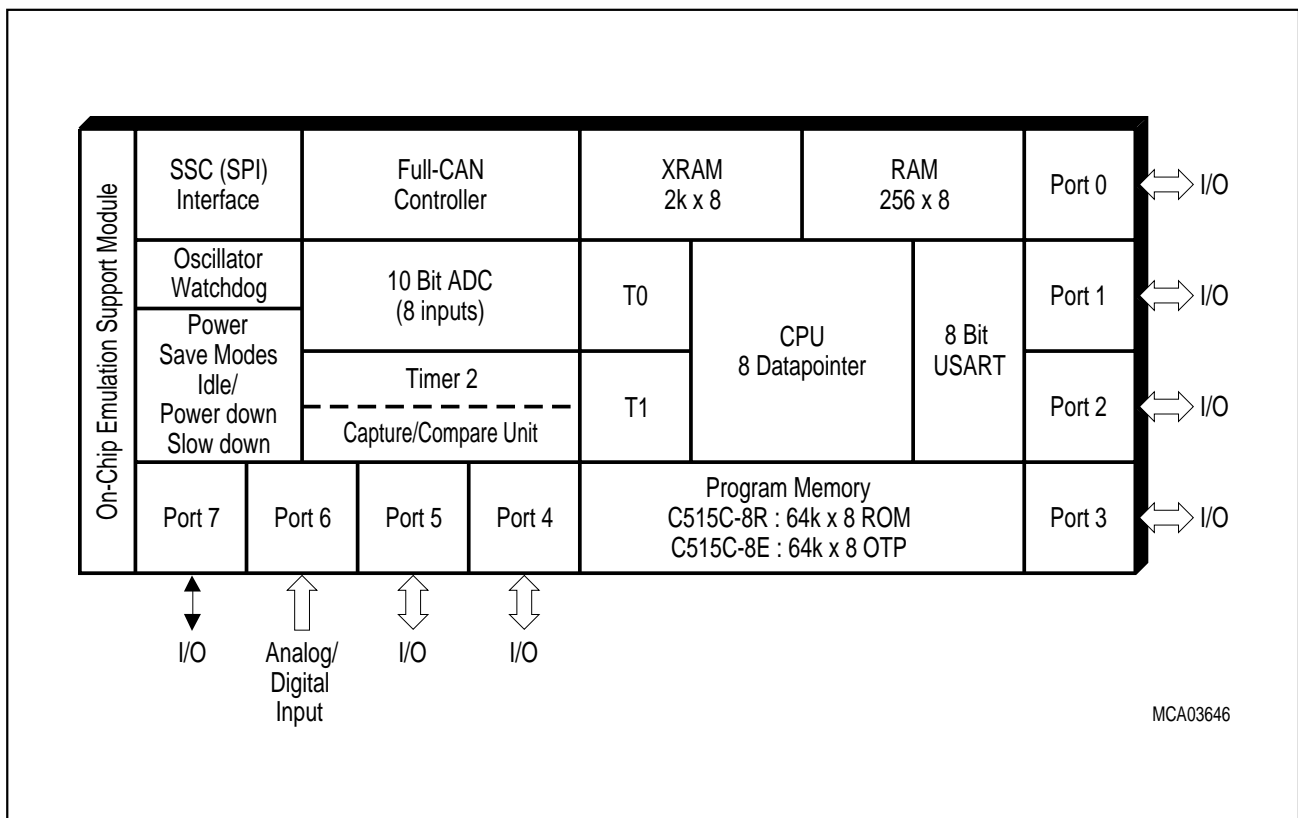
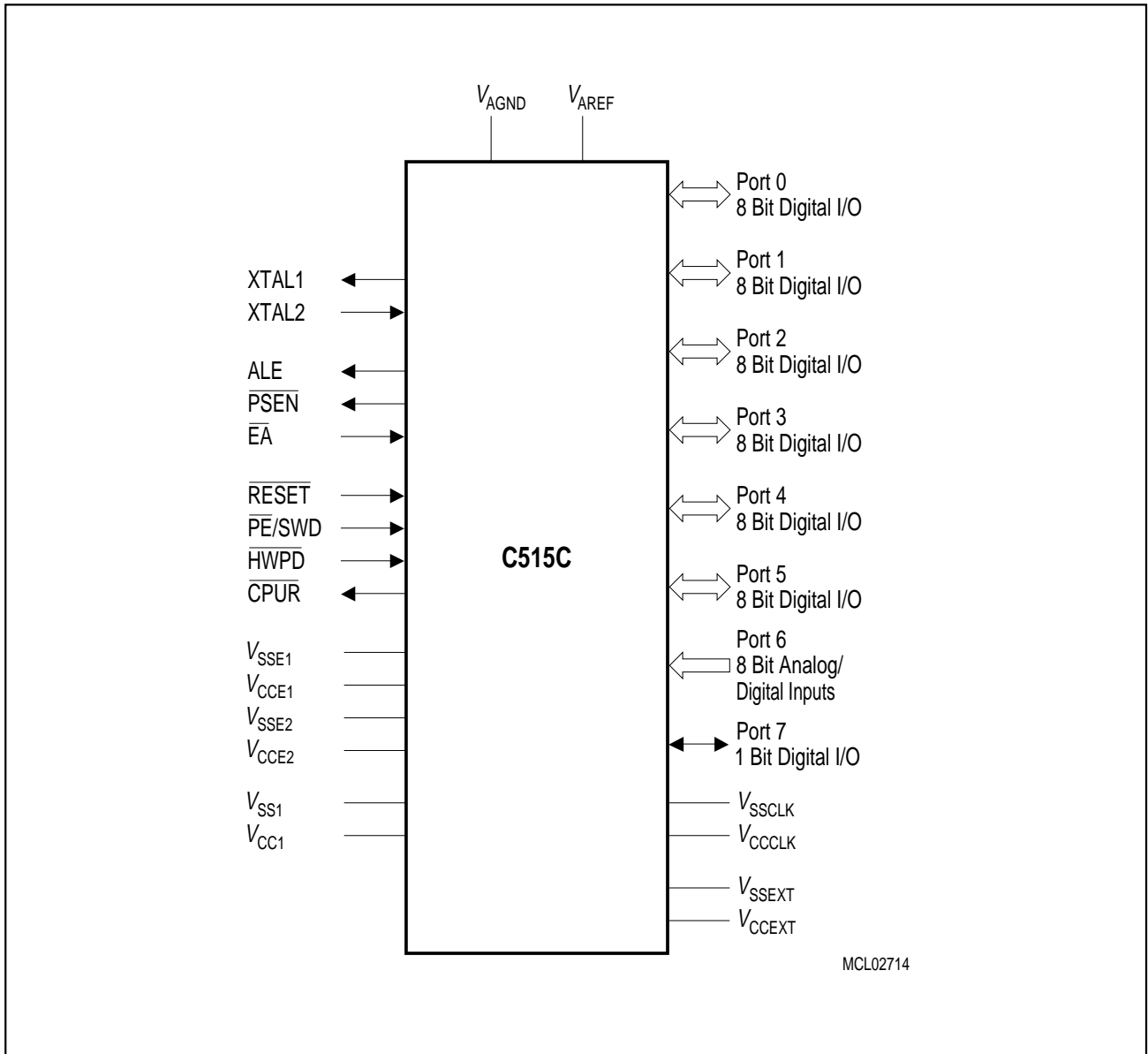


Figure 1-1
C515C Functional Units

Listed below is a summary of the main features of the C515C:

- Full upward compatibility with SAB 80C515A
- On-chip program memory (with optional memory protection)
 - C515C-8R : 64k byte on-chip ROM
 - C515C-8E : 64k byte on-chip OTP
 - alternatively up to 64k byte external program memory
- 256 byte on-chip RAM
- 2K byte on-chip XRAM
- Up to 64K byte external data memory
- Superset of the 8051 architecture with 8 datapointers
- Up to 10 MHz external operating frequency
 - without clock prescaler (1 μ s instruction cycle time at 6 MHz external clock)
- On-chip emulation support logic (Enhanced Hooks Technology™)
- Current optimized oscillator circuit
- Eight ports: 48 + 1 digital I/O lines, 8 analog inputs
 - Quasi-bidirectional port structure (8051 compatible)
 - Port 5 selectable for bidirectional port structure (CMOS voltage levels)
- Three 16-bit timer/counters
 - Timer 2 can be used for compare/capture functions
- 10-bit A/D converter with multiplexed inputs and Built-in self calibration
- Full duplex serial interface with programmable baudrate generator (USART)
- SSC synchronous serial interface (SPI compatible)
 - Master and slave capable
 - Programmable clock polarity / clock-edge to data phase relation
 - LSB/MSB first selectable
 - 2.5 MHz transfer rate at 10 MHz operating frequency
- Full-CAN Module
 - 256 register/data bytes are located in external data memory area
 - max.1 MBaud at 10 MHz operating frequency
- Seventeen interrupt vectors, at four priority levels selectable
- Extended watchdog facilities
 - 15-bit programmable watchdog timer
 - Oscillator watchdog
- Power saving modes
 - Slow-down mode
 - Idle mode (can be combined with slow-down mode)
 - Software power-down mode with wake-up capability through $\overline{\text{INT0}}$ or RXDC pin
 - Hardware power-down mode
- CPU running condition output pin
- ALE can be switched off
- Multiple separate VCC/VSS pin pairs
- P-MQFP-80 package
- Temperature Ranges:

SAB-C515C	$T_A = 0$ to 70 °C
SAF-C515C	$T_A = -40$ to 85 °C
SAH-C515C	$T_A = -40$ to 110 °C



**Figure 1-2
Logic Symbol**

1.1 Pin Configuration

This section describes the pin configuration of the C515C in the P-MQFP-80 package.

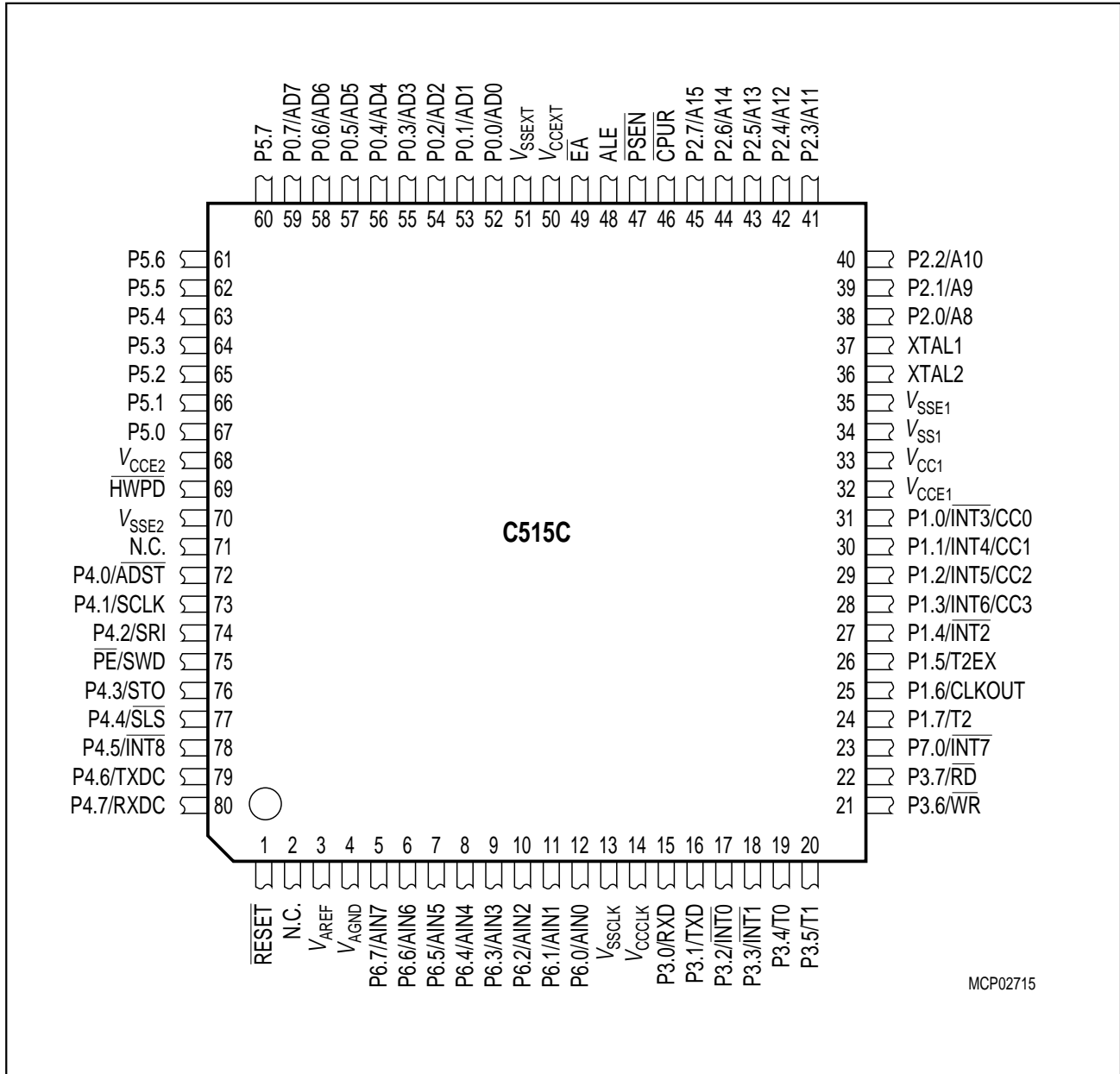


Figure 1-3
Pin Configuration (top view)

1.2 Pin Definitions and Functions

This section describes all external signals of the C515C with its function.

Table 1-1
Pin Definitions and Functions

Symbol	Pin Number	I/O*)	Function
	P-MQFP-80		
P4.0-P4.7	72-74, 76-80	I/O	<p>Port 4 is an 8-bit quasi-bidirectional I/O port with internal pull-up resistors. Port 4 pins that have 1's written to them are pulled high by the internal pull-up resistors, and in that state can be used as inputs. As inputs, port 4 pins being externally pulled low will source current (I_{IL}, in the DC characteristics) because of the internal pull-up resistors. P4 also contains the external A/D converter control pin, the SSC pins, the CAN controller input/output lines, and the external interrupt 8 input. The output latch corresponding to a secondary function must be programmed to a one (1) for that function to operate. The alternate functions are assigned to port 4 as follows:</p> <p>P4.0 \overline{ADST} External A/D converter start pin P4.1 SCLK SSC Master Clock Output / SSC Slave Clock Input P4.2 SRI SSC Receive Input P4.3 STO SSC Transmit Output P4.4 \overline{SLS} Slave Select Input P4.5 $\overline{INT8}$ External interrupt 8 input P4.6 TXDC Transmitter output of the CAN controller P4.7 RXDC Receiver input of the CAN controller</p>
\overline{PE}/SWD	75	I	<p>Power saving mode enable / Start watchdog timer A low level on this pin allows the software to enter the power down, idle and slow down mode. In case the low level is also seen during reset, the watchdog timer function is off on default. Use of the software controlled power saving modes is blocked, when this pin is held on high level. A high level during reset performs an automatic start of the watchdog timer immediately after reset. When left unconnected this pin is pulled high by a weak internal pull-up resistor.</p>
$\overline{\text{RESET}}$	1	I	<p>RESET A low level on this pin for the duration of two machine cycles while the oscillator is running resets the C515C. A small internal pullup resistor permits power-on reset using only a capacitor connected to VSS.</p>

*) I = Input
O = Output

**Table 1-1
Pin Definitions and Functions (cont'd)**

Symbol	Pin Number	I/O*)	Function
	P-MQFP-80		
VAREF	3	–	Reference voltage for the A/D converter
VAGND	4	–	Reference ground for the A/D converter
P6.7-P6.0	5-12	I	Port 6 is an 8-bit unidirectional input port to the A/D converter. Port pins can be used for digital input, if voltage levels simultaneously meet the specifications high/low input voltages and for the eight multiplexed analog inputs.
P3.0-P3.7	15-22	I/O	Port 3 is an 8-bit quasi-bidirectional I/O port with internal pullup resistors. Port 3 pins that have 1's written to them are pulled high by the internal pullup resistors, and in that state can be used as inputs. As inputs, port 3 pins being externally pulled low will source current (I_{IL} , in the DC characteristics) because of the internal pullup resistors. Port 3 also contains the interrupt, timer, serial port and external memory strobe pins that are used by various options. The output latch corresponding to a secondary function must be programmed to a one (1) for that function to operate. The secondary functions are assigned to the pins of port 3, as follows:
	15		P3.0 RXD Receiver data input (asynch.) or data input/output (synch.) of serial interface
	16		P3.1 TXD Transmitter data output (asynch.) or clock output (synch.) of serial interface
	17		P3.2 $\overline{INT0}$ External interrupt 0 input / timer 0 gate control input
	18		P3.3 $\overline{INT1}$ External interrupt 1 input / timer 1 gate control input
	19		P3.4 T0 Timer 0 counter input
	20		P3.5 T1 Timer 1 counter input
	21		P3.6 \overline{WR} \overline{WR} control output; latches the data byte from port 0 into the external data memory
	22		P3.7 \overline{RD} \overline{RD} control output; enables the external data memory

*) I = Input
O = Output

Table 1-1
Pin Definitions and Functions (cont'd)

Symbol	Pin Number	I/O*)	Function
	P-MQFP-80		
P7.0	23	I/O	<p>Port 7 is an 1-bit quasi-bidirectional I/O port with internal pull-up resistor. When a 1 is written to P7.0 it is pulled high by an internal pull-up resistor, and in that state can be used as input. As input, P7.0 being externally pulled low will source current (I_{IL}, in the DC characteristics) because of the internal pull-up resistor. If P7.0 is used as interrupt input, its output latch must be programmed to a one (1). The secondary function is assigned to the port 7 pin as follows: P7.0 $\overline{INT7}$ Interrupt 7 input</p>
P1.0 - P1.7	31-24	I/O	<p>Port 1 is an 8-bit quasi-bidirectional I/O port with internal pullup resistors. Port 1 pins that have 1's written to them are pulled high by the internal pullup resistors, and in that state can be used as inputs. As inputs, port 1 pins being externally pulled low will source current (I_{IL}, in the DC characteristics) because of the internal pullup resistors. The port is used for the low-order address byte during program verification. Port 1 also contains the interrupt, timer, clock, capture and compare pins that are used by various options. The output latch corresponding to a secondary function must be programmed to a one (1) for that function to operate (except when used for the compare functions). The secondary functions are assigned to the port 1 pins as follows:</p>
	31		P1.0 $\overline{INT3}$ CC0 Interrupt 3 input / compare 0 output / capture 0 input
	30		P1.1 INT4 CC1 Interrupt 4 input / compare 1 output / capture 1 input
	29		P1.2 INT5 CC2 Interrupt 5 input / compare 2 output / capture 2 input
	28		P1.3 INT6 CC3 Interrupt 6 input / compare 3 output / capture 3 input
	27		P1.4 $\overline{INT2}$ Interrupt 2 input
	26		P1.5 T2EX Timer 2 external reload / trigger input
	25		P1.6 CLKOUT System clock output
	24		P1.7 T2 Counter 2 input

*) I = Input
O = Output

Table 1-1
Pin Definitions and Functions (cont'd)

Symbol	Pin Number	I/O*)	Function
	P-MQFP-80		
XTAL2	36	–	<p>XTAL2 Input to the inverting oscillator amplifier and input to the internal clock generator circuits. To drive the device from an external clock source, XTAL2 should be driven, while XTAL1 is left unconnected. Minimum and maximum high and low times as well as rise/fall times specified in the AC characteristics must be observed.</p>
XTAL1	37	–	<p>XTAL1 Output of the inverting oscillator amplifier.</p>
P2.0-P2.7	38-45	I/O	<p>Port 2 is an 8-bit quasi-bidirectional I/O port with internal pullup resistors. Port 2 pins that have 1's written to them are pulled high by the internal pullup resistors, and in that state can be used as inputs. As inputs, port 2 pins being externally pulled low will source current (I_{IL}, in the DC characteristics) because of the internal pullup resistors. Port 2 emits the high-order address byte during fetches from external program memory and during accesses to external data memory that use 16-bit addresses (MOVX @DPTR). In this application it uses strong internal pullup resistors when issuing 1's. During accesses to external data memory that use 8-bit addresses (MOVX @Ri), port 2 issues the contents of the P2 special function register.</p>
$\overline{\text{CPUR}}$	46	O	<p>$\overline{\text{CPU running condition}}$ This output pin is at low level when the CPU is running and program fetches or data accesses in the external data memory area are executed. In idle mode, hardware and software power down mode, and with an active $\overline{\text{RESET}}$ signal $\overline{\text{CPUR}}$ is set to high level. $\overline{\text{CPUR}}$ can be typically used for switching external memory devices into power saving modes.</p>

*) I = Input
O = Output

Table 1-1
Pin Definitions and Functions (cont'd)

Symbol	Pin Number	I/O*)	Function
	P-MQFP-80		
$\overline{\text{PSEN}}$	47	O	The Program Store Enable output is a control signal that enables the external program memory to the bus during external fetch operations. It is activated every three oscillator periods, except during external data memory accesses. The signal remains high during internal program execution.
ALE	48	O	The Address Latch enable output is used for latching the address into external memory during normal operation. It is activated every three oscillator periods, except during an external data memory access. ALE can be switched off when the program is executed internally.
$\overline{\text{EA}}$	49	I	External Access Enable When held high, the C515C executes instructions always from internal program memory. When $\overline{\text{EA}}$ is held low, all instructions are fetched from external program memory. $\overline{\text{EA}}$ should not be driven during reset operation
P0.0-P0.7	52-59	I/O	Port 0 is an 8-bit open-drain bidirectional I/O port. Port 0 pins that have 1's written to them float, and in that state can be used as high-impedance inputs. Port 0 is also the multiplexed low-order address and data bus during accesses to external program and data memory. In this application it uses strong internal pullup resistors when issuing 1's. Port 0 also outputs the code bytes during program verification in the C515C-8E. External pullup resistors are required during program.
P5.7-P5.0	60-67	I/O	Port 5 is an 8-bit quasi-bidirectional I/O port with internal pullup resistors. Port 5 pins that have 1's written to them are pulled high by the internal pullup resistors, and in that state can be used as inputs. As inputs, port 5 pins being externally pulled low will source current (I_{IL} , in the DC characteristics) because of the internal pullup resistors. Port 5 can also be switched into a bidirectional mode, in which CMOS levels are provided. In this bidirectional mode, each port 5 pin can be programmed individually as input or output.

*) I = Input
O = Output

Table 1-1
Pin Definitions and Functions (cont'd)

Symbol	Pin Number	I/O*)	Function
	P-MQFP-80		
HYPD	69	I	Hardware Power Down A low level on this pin for the duration of one machine cycle while the oscillator is running resets the C515C. A low level for a longer period will force the part to power down mode with the pins floating.
VCC1	33	–	Supply voltage for internal logic This pins is used for the power supply of the internal logic circuits during normal, idle, and power down mode.
VSS1	34	–	Ground (0 V) for internal logic This pin is used for the ground connection of the internal logic circuits during normal, idle, and power down mode.
VCCE1 VCCE2	32 68	–	Supply voltage for I/O ports These pins are used for power supply of the I/O ports during normal, idle, and power-down mode.
VSSE1 VSSE2	35 70	–	Ground (0 V) for I/O ports These pins are used for ground connections of the I/O ports during normal, idle, and power-down mode.
VCCEXT	50	–	Supply voltage for external access pins This pin is used for power supply of the I/O ports and control signals which are used during external accesses (for Port 0, Port 2, ALE, $\overline{\text{PSEN}}$, P3.6/ $\overline{\text{WR}}$, and P3.7/ $\overline{\text{RD}}$).
VSSEXT	51	–	Ground (0 V) for external access pins This pin is used for the ground connection of the I/O ports and control signals which are used during external accesses (for Port 0, Port 2, ALE, $\overline{\text{PSEN}}$, P3.6/ $\overline{\text{WR}}$, and P3.7/ $\overline{\text{RD}}$).
VCCCLK	14	–	Supply voltage for on-chip oscillator This pin is used for power supply of the on-chip oscillator circuit.
VSSCLK	13	–	Ground (0 V) for on-chip oscillator This pin is used for ground connection of the on-chip oscillator circuit.
N.C.	2, 71	–	Not connected These pins should not be connected.

*) I = Input
O = Output

2 Fundamental Structure

The C515C is fully compatible to the architecture of the standard 8051/C501 microcontroller family. While maintaining all architectural and operational characteristics of the C501, the C515C incorporates a CPU with 8 datapointers, a genuine 10-bit A/D converter, a capture/compare unit, a Full-CAN controller unit, a SSC synchronous serial interface, a USART serial interface, a XRAM data memory as well as some enhancements in the Fail Save Mechanism Unit. **Figure 2-1** shows a block diagram of the C515C.

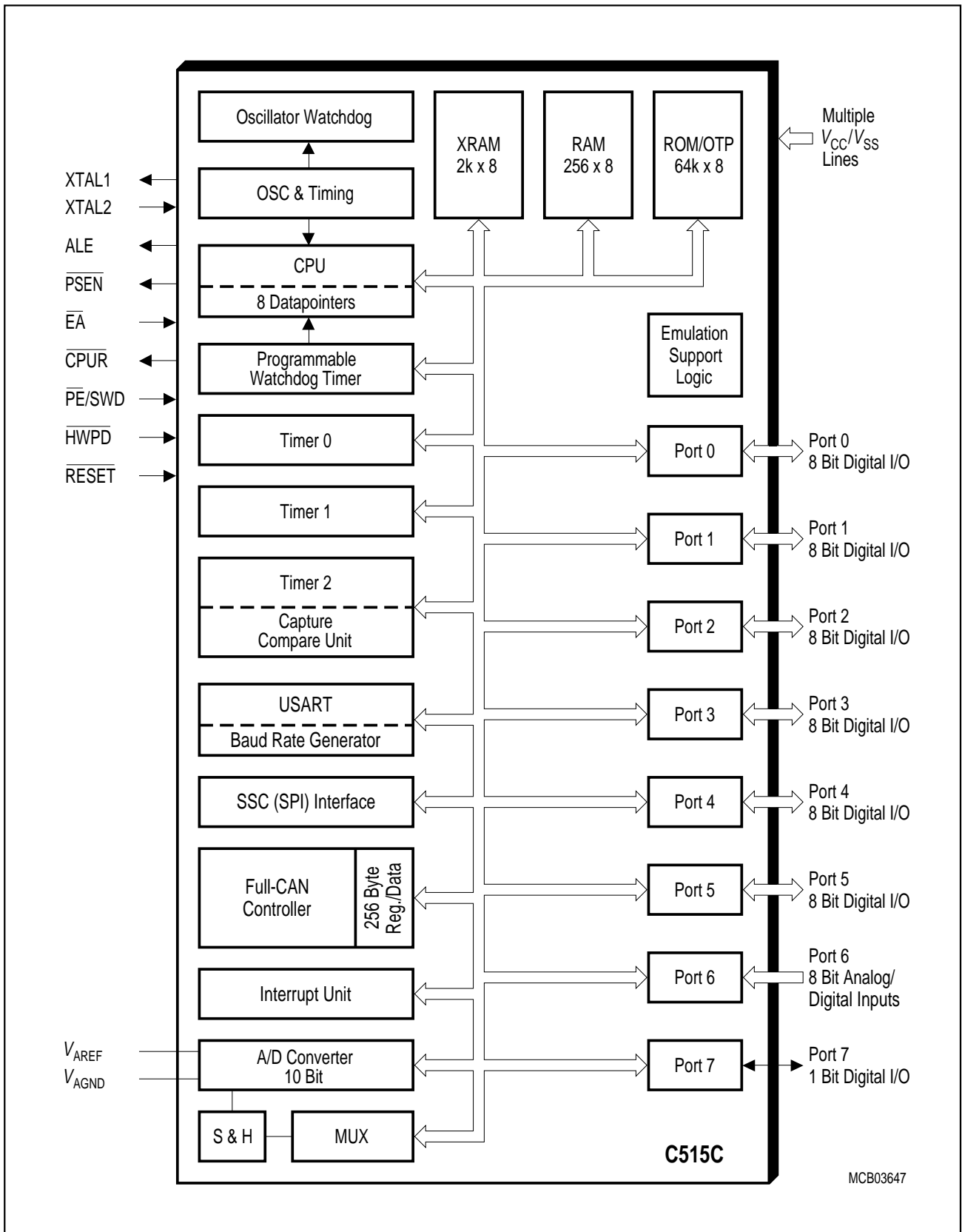


Figure 2-1
Block Diagram of the C515C

2.1 CPU

The C515C is efficient both as a controller and as an arithmetic processor. It has extensive facilities for binary and BCD arithmetic and excels in its bit-handling capabilities. Efficient use of program memory results from an instruction set consisting of 44% one-byte, 41% two-byte, and 15% three-byte instructions. With a 6 MHz external clock, 58% of the instructions execute in 1.0 μ s (10 MHz: 600 ns).

The CPU (Central Processing Unit) of the C515C consists of the instruction decoder, the arithmetic section and the program control section. Each program instruction is decoded by the instruction decoder. This unit generates the internal signals controlling the functions of the individual units within the CPU. They have an effect on the source and destination of data transfers and control the ALU processing.

The arithmetic section of the processor performs extensive data manipulation and is comprised of the arithmetic/logic unit (ALU), an A register, B register and PSW register.

The ALU accepts 8-bit data words from one or two sources and generates an 8-bit result under the control of the instruction decoder. The ALU performs the arithmetic operations add, subtract, multiply, divide, increment, decrement, BDC-decimal-add-adjust and compare, and the logic operations AND, OR, Exclusive OR, complement and rotate (right, left or swap nibble (left four)). Also included is a Boolean processor performing the bit operations as set, clear, complement, jump-if-not-set, jump-if-set-and-clear and move to/from carry. Between any addressable bit (or its complement) and the carry flag, it can perform the bit operations of logical AND or logical OR with the result returned to the carry flag.

The program control section controls the sequence in which the instructions stored in program memory are executed. The 16-bit program counter (PC) holds the address of the next instruction to be executed. The conditional branch logic enables internal and external events to the processor to cause a change in the program execution sequence.

Additionally to the CPU functionality of the C501/8051 standard microcontroller, the C515C contains 8 datapointers. For complex applications with peripherals located in the external data memory space (e.g. CAN controller) or extended data storage capacity this turned out to be a "bottle neck" for the 8051's communication to the external world. Especially programming in high-level languages (PLM51, C51, PASCAL51) requires extended RAM capacity and at the same time a fast access to this additional RAM because of the reduced code efficiency of these languages.

Accumulator

ACC is the symbol for the accumulator register. The mnemonics for accumulator-specific instructions, however, refer to the accumulator simply as A.

Program Status Word

The Program Status Word (PSW) contains several status bits that reflect the current state of the CPU.

Special Function Register PSW (Address D0_H)

Reset Value : 00_H

Bit No.	MSB								LSB	
	D7 _H	D6 _H	D5 _H	D4 _H	D3 _H	D2 _H	D1 _H	D0 _H		
D0 _H	CY	AC	F0	RS1	RS0	OV	F1	P		PSW

Bit	Function															
CY	Carry Flag Used by arithmetic instruction.															
AC	Auxiliary Carry Flag Used by instructions which execute BCD operations.															
F0	General Purpose Flag															
RS1 RS0	Register Bank select control bits These bits are used to select one of the four register banks.															
	<table border="1" style="width: 100%; border-collapse: collapse;"> <thead> <tr> <th style="text-align: left;">RS1</th> <th style="text-align: left;">RS0</th> <th style="text-align: left;">Function</th> </tr> </thead> <tbody> <tr> <td>0</td> <td>0</td> <td>Bank 0 selected, data address 00_H-07_H</td> </tr> <tr> <td>0</td> <td>1</td> <td>Bank 1 selected, data address 08_H-0F_H</td> </tr> <tr> <td>1</td> <td>0</td> <td>Bank 2 selected, data address 10_H-17_H</td> </tr> <tr> <td>1</td> <td>1</td> <td>Bank 3 selected, data address 18_H-1F_H</td> </tr> </tbody> </table>	RS1	RS0	Function	0	0	Bank 0 selected, data address 00 _H -07 _H	0	1	Bank 1 selected, data address 08 _H -0F _H	1	0	Bank 2 selected, data address 10 _H -17 _H	1	1	Bank 3 selected, data address 18 _H -1F _H
RS1	RS0	Function														
0	0	Bank 0 selected, data address 00 _H -07 _H														
0	1	Bank 1 selected, data address 08 _H -0F _H														
1	0	Bank 2 selected, data address 10 _H -17 _H														
1	1	Bank 3 selected, data address 18 _H -1F _H														
OV	Overflow Flag Used by arithmetic instruction.															
F1	General Purpose Flag															
P	Parity Flag Set/cleared by hardware after each instruction to indicate an odd/even number of "one" bits in the accumulator, i.e. even parity.															

B Register

The B register is used during multiply and divide and serves as both source and destination. For other instructions it can be treated as another scratch pad register.

Stack Pointer

The stack pointer (SP) register is 8 bits wide. It is incremented before data is stored during PUSH and CALL executions and decremented after data is popped during a POP and RET (RETI) execution, i.e. it always points to the last valid stack byte. While the stack may reside anywhere in the on-chip RAM, the stack pointer is initialized to 07_H after a reset. This causes the stack to begin a location = 08_H above register bank zero. The SP can be read or written under software control.

2.2 CPU Timing

The C515C has no clock prescaler. Therefore, a machine cycle of the C515C consists of 6 states (6 oscillator periods). Each state is divided into a phase 1 half and a phase 2 half. Thus, a machine cycle consists of 6 oscillator periods, numbered S1P1 (state 1, phase 1) through S6P2 (state 6, phase 2). Each state lasts one oscillator period. Typically, arithmetic and logic operations take place during phase 1 and internal register-to-register transfers take place during phase 2.

The diagrams in **figure 2-2** show the fetch/execute timing related to the internal states and phases. Since these internal clock signals are not user-accessible, the XTAL1 oscillator signals and the ALE (address latch enable) signal are shown for external reference. ALE is normally activated twice during each machine cycle: once during S1P2 and S2P1, and again during S4P2 and S5P1.

Executing of a one-cycle instruction begins at S1P2, when the op-code is latched into the instruction register. If it is a two-byte instruction, the second reading takes place during S4 of the same machine cycle. If it is a one-byte instruction, there is still a fetch at S4, but the byte read (which would be the next op-code) is ignored (discarded fetch), and the program counter is not incremented. In any case, execution is completed at the end of S6P2.

Figures 2-2 (a) and **(b)** show the timing of a 1-byte, 1-cycle instruction and for a 2-byte, 1-cycle instruction.

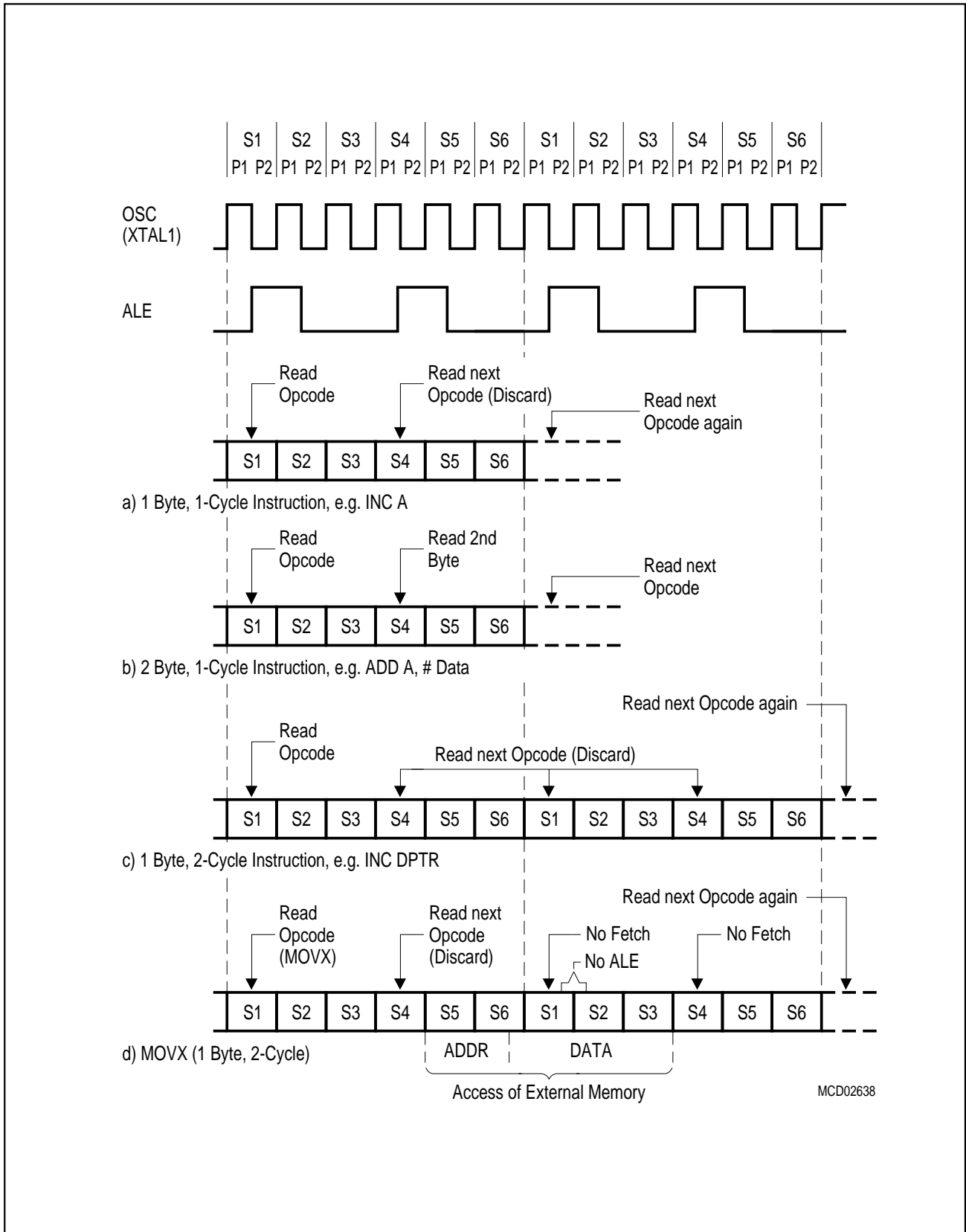


Figure 2-2
Fetch Execute Sequence

3 Memory Organization

The C515C CPU manipulates operands in the following four address spaces:

- up to 64 Kbyte of internal/external program memory
- up to 64 Kbyte of external data memory
- 256 bytes of internal data memory
- 256 bytes CAN controller registers / data memory
- 2K bytes of internal XRAM data memory
- a 128 byte special function register area

Figure 3-1 illustrates the memory address spaces of the C515C.

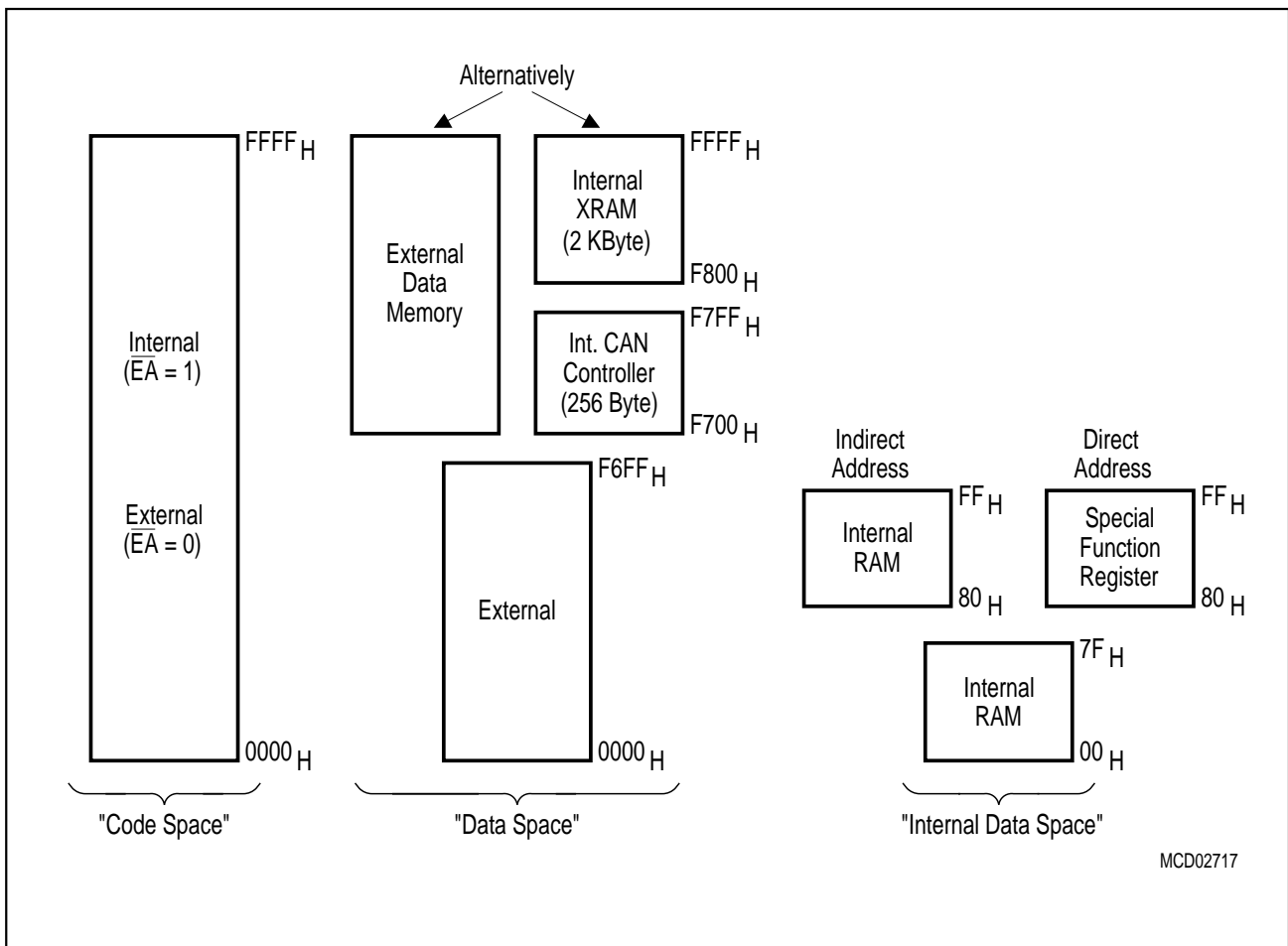


Figure 3-1
C515C Memory Map

3.1 Program Memory, "Code Space"

The C515C-8R provides 64 Kbytes of read-only program memory while the C515C-L has no internal program memory. The C515C-8E provides 64 Kbytes of OTP program memory.. For internal ROM/OTP program execution the \overline{EA} pin must be put to high level. The 64K bytes program memory can also be located completely external. If the \overline{EA} pin is held low, the C515C fetches all instructions from an external program memory.

3.2 Data Memory, "Data Space"

The data memory address space consists of an internal and an external memory space. The internal data memory is divided into three physically separate and distinct blocks : the lower 128 bytes of RAM, the upper 128 bytes of RAM, and the 128 byte special function register (SFR) area. While the upper 128 bytes of data memory and the SFR area share the same address locations, they are accessed through different addressing modes. The lower 128 bytes of data memory can be accessed through direct or register indirect addressing; the upper 128 bytes of RAM can be accessed through register indirect addressing; the special function registers are accessible through direct addressing. Four 8-register banks, each bank consisting of eight 8-bit multi-purpose registers, occupy locations 0 through 1FH in the lower RAM area. The next 16 bytes, locations 20H through 2FH, contain 128 directly addressable bit locations. The stack can be located anywhere in the internal data memory address space, and the stack depth can be expanded up to 256 bytes.

The external data memory can be expanded up to 64 Kbyte and can be accessed by instructions that use a 16-bit or an 8-bit address. The internal CAN controller and the internal XRAM are located in the external address memory area at addresses F700H to FFFFH. Using MOVX instruction with addresses pointing to this address area, alternatively XRAM and CAN controller registers or external XRAM are accessed.

3.3 General Purpose Registers

The lower 32 locations of the internal RAM are assigned to four banks with eight general purpose registers (GPRs) each. Only one of these banks may be enabled at a time. Two bits in the program status word, RS0 (PSW.3) and RS1 (PSW.4), select the active register bank (see description of the PSW in **chapter 2**). This allows fast context switching, which is useful when entering subroutines or interrupt service routines.

The 8 general purpose registers of the selected register bank may be accessed by register addressing. With register addressing the instruction op code indicates which register is to be used. For indirect addressing R0 and R1 are used as pointer or index register to address internal or external memory (e.g. MOV @R0).

Reset initializes the stack pointer to location 07H and increments it once to start from location 08H which is also the first register (R0) of register bank 1. Thus, if one is going to use more than one register bank, the SP should be initialized to a different location of the RAM which is not used for data storage.

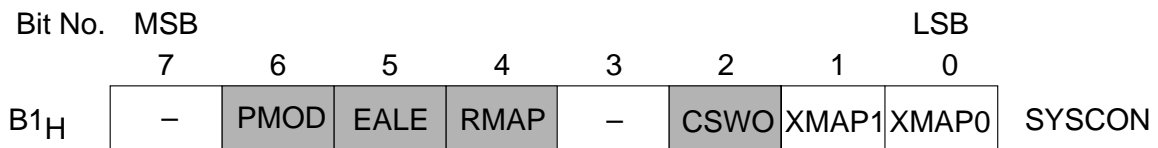
3.4 XRAM Operation

The XRAM in the C515C is a memory area that is logically located at the upper end of the external memory space, but is integrated on the chip. Because the XRAM is used in the same way as external data memory the same instruction types (MOVX) must be used for accessing the XRAM.

3.4.1 XRAM/CAN Controller Access Control

Two bits in SFR SYSCON, XMAP0 and XMAP1, control the accesses to XRAM and the CAN controller. XMAP0 is a general access enable/disable control bit and XMAP1 controls the external signal generation during XRAM/CAN controller accesses.

Special Function Register SYSCON (Address B1_H) **Reset Value C515C-8R : X010XX01_B**
Reset Value C515C-8E : X010X001_B



The function of the shaded bit is not described in this section.

Bit	Function
-	Not implemented. Reserved for future use.
XMAP1	XRAM/CAN controller visible access control Control bit for $\overline{RD}/\overline{WR}$ signals during XRAM/CAN Controller accesses. If addresses are outside the XRAM/CAN controller address range or if XRAM is disabled, this bit has no effect. XMAP1 = 0 : The signals \overline{RD} and \overline{WR} are not activated during accesses to the XRAM/CAN Controller XMAP1 = 1 : Ports 0, 2 and the signals \overline{RD} and \overline{WR} are activated during accesses to XRAM/CAN Controller. In this mode, address and data information during XRAM/CAN Controller accesses are visible externally.
XMAP0	Global XRAM/CAN controller access enable/disable control XMAP0 = 0 : The access to XRAM and CAN controller is enabled. XMAP0 = 1 : The access to XRAM and CAN controller is disabled (default after reset!). All MOVX accesses are performed via the external bus. Further, this bit is hardware protected.

When bit XMAP1 in SFR SYSCON is set, during all accesses to XRAM and CAN Controller \overline{RD} and \overline{WR} become active and port 0 and 2 drive the actual address/data information which is read/written from/to XRAM or CAN controller. This feature allows to check the internal data transfers to XRAM and CAN controller. When port 0 and 2 are used for I/O purposes, the XMAP1 bit should not be set. Otherwise the I/O function of the port 0 and port 2 lines is interrupted.

After a reset operation, bit XMAP0 is reset. This means that the accesses to XRAM and CAN controller are generally disabled. In this case, all accesses using MOVX instructions within the address range of F700_H to FFFF_H generate external data memory bus cycles. When XMAP0 is set, the access to XRAM and CAN controller is enabled and all accesses using MOVX instructions with an address in the range of F700_H to FFFF_H will access internal XRAM or CAN controller.

Bit XMAP0 is hardware protected. If it is reset once (XRAM and CAN controller access enabled) it cannot be set by software. Only a reset operation will set the XMAP0 bit again. This hardware protection mechanism is done by an unsymmetric latch at XMAP0 bit. A unintentional disabling of XRAM and CAN controller could be dangerous since indeterminate values could be read from the external bus. To avoid this the XMAP0 bit is forced to '1' only by a reset operation. Additionally, during reset an internal capacitor is loaded. So the reset state is a disabled XRAM and CAN controller. Because of the load time of the capacitor, XMAP0 bit once written to '0' (that is, discharging the capacitor) cannot be set to '1' again by software. On the other hand any distortion (software hang up, noise,...) is not able to load this capacitor, too. That is, the stable status is XRAM and CAN controller enabled.

The clear instruction for the XMAP0 bit should be integrated in the program initialization routine before XRAM or CAN controller is used. In extremely noisy systems the user may have redundant clear instructions.

3.4.2 Accesses to XRAM using the DPTR (16-bit Addressing Mode)

The XRAM and CAN controller can be accessed by two read/write instructions, which use the 16-bit DPTR for indirect addressing. These instructions are :

- MOVX A, @DPTR (Read)
- MOVX @DPTR, A (Write)

For accessing the XRAM, the effective address stored in DPTR must be in the range of F800_H to FFFF_H. For accessing the CAN controller, the effective address stored in DPTR must be in the range of F700_H to F7FF_H.

3.4.3 Accesses to XRAM using the Registers R0/R1 (8-bit Addressing Mode)

The 8051 architecture provides also instructions for accesses to external data memory range which use only an 8-bit address (indirect addressing with registers R0 or R1). The instructions are:

- MOVX A, @ Ri (Read)
- MOVX @Ri, A (Write)

As in the SAB 80C515A a special page register is implemented into the C515C to provide the possibility of accessing the XRAM or CAN controller also with the MOVX @Ri instructions, i.e. XPAGE serves the same function for the XRAM and CAN controller as Port 2 for external data memory.

Special Function Register XPAGE (Address 91_H)

Reset Value : 00_H

Bit No.	MSB							LSB	XPAGE
	7	6	5	4	3	2	1	0	
91 _H	.7	.6	.5	.4	.3	.2	.1	.0	

Bit	Function
XPAGE.7-0	XRAM/CAN controller high address XPAGE.7-0 is the address part A15-A8 when 8-bit MOVX instructions are used to access internal XRAM or CAN controller.

Figures 3-2 to 3-4 show the dependencies of XPAGE- and Port 2 - addressing in order to explain the differences in accessing XRAM/CAN controller, ext. RAM or what is to do when Port 2 is used as an I/O-port.

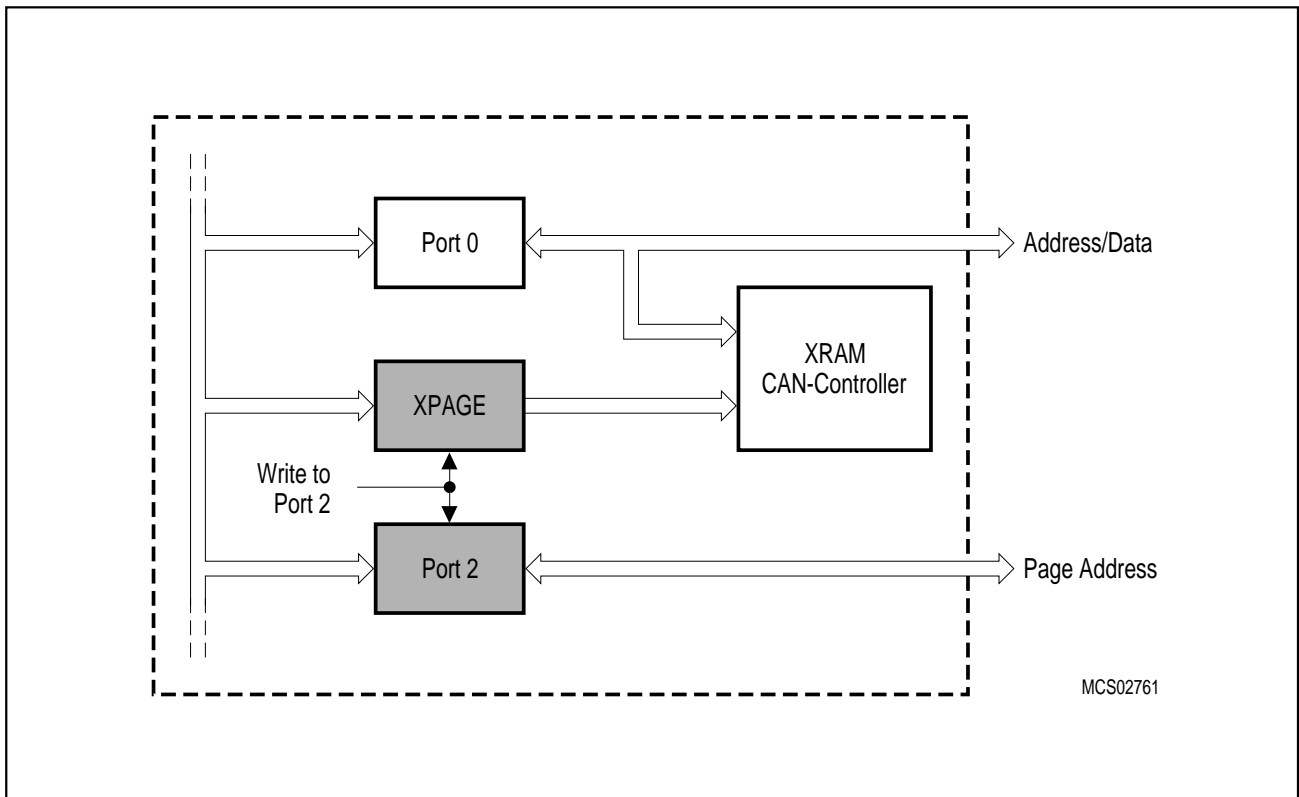


Figure 3-2
Write Page Address to Port 2

“MOV P2,pageaddress“ will write the page address to Port 2 and the XPAGE-Register.

When external RAM is to be accessed in the XRAM/CAN controller address range (F700_H - FFFF_H), the XRAM/CAN controller has to be disabled. When additional external RAM is to be addressed in an address range < F700_H, the XRAM/CAN controller may remain enabled and there is no need to overwrite XPAGE by a second move.

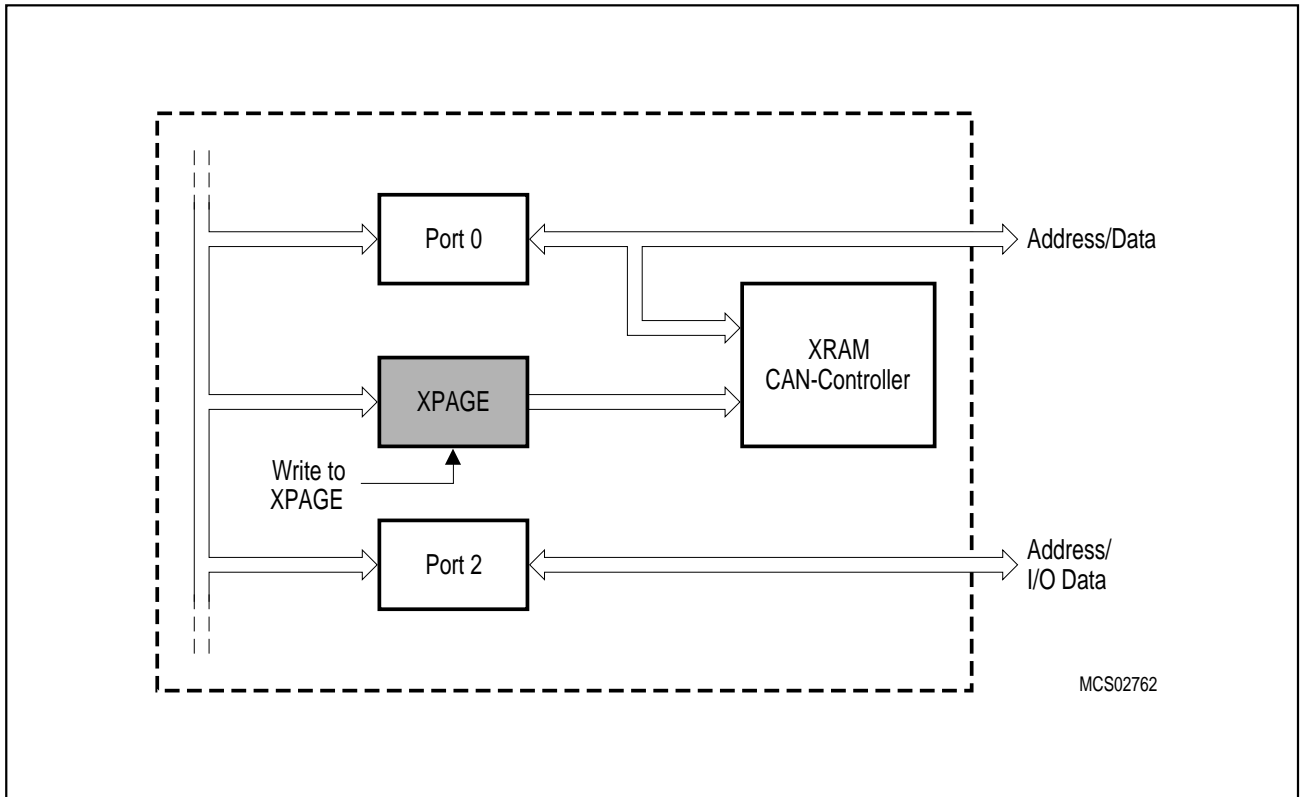


Figure 3-3
Write Page Address to XPAGE

The page address is only written to the XPAGE register. Port 2 is available for addresses or I/O data.

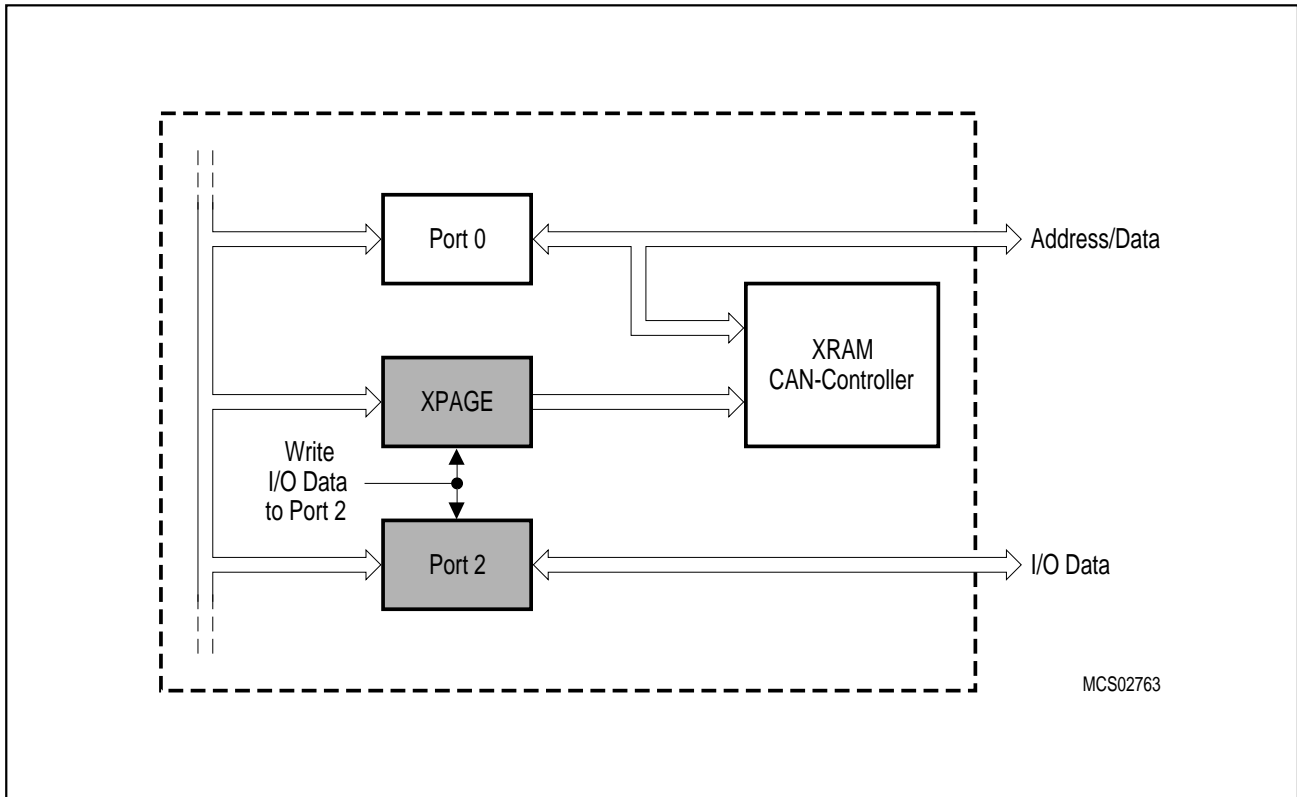


Figure 3-4
Use of Port 2 as I/O Port

At a write to port 2, the XRAM/CAN controller address in XPAGE register will be overwritten because of the concurrent write to port 2 and XPAGE register. So, whenever XRAM is used and the XRAM address differs from the byte written to port 2 latch it is absolutely necessary to rewrite XPAGE with the page address.

Example :

I/O data at port 2 shall be AA_H. A byte shall be fetched from XRAM at address F830_H.

```

MOV    R0, #30H      ;
MOV    P2, #0AAH    ; P2 shows AAH and XPAGE contains AAH
MOV    XPAGE, #0F8H ; P2 still shows AAH but XRAM is addressed
MOVX   A, @R0       ; the contents of XRAM at F830H is moved to accumulator
    
```

The register XPAGE provides the upper address byte for accesses to XRAM with MOVX @Ri instructions. If the address formed by XPAGE and Ri points outside the XRAM/CAN Controller address range, an external access is performed. For the C515C the content of XPAGE must be greater or equal F7_H in order to use the XRAM/CAN Controller.

The software has to distinguish two cases, if the MOVX @Ri instructions with paging shall be used :

- a) Access to XRAM/CAN Contr. : The upper address byte must be written to XPAGE or P2; both writes select the XRAM/CAN controller address range.
- b) Access to external memory : The upper address byte must be written to P2; XPAGE will be loaded with the same address in order to deselect the XRAM.

3.4.4 Reset Operation of the XRAM

The contents of the XRAM is not affected by a reset. After power-up the contents are undefined, while they remain unchanged during and after a reset as long as the power supply is not turned off. If a reset occurs during a write operation to XRAM, the content of a XRAM memory location depends on the cycle in which the active reset signal is detected (MOVX is a 2-cycle instruction):

Reset during 1st cycle : The new value will not be written to XRAM. The old value is not affected.

Reset during 2nd cycle : The old value in XRAM is overwritten by the new value.

3.4.5 Behaviour of Port0 and Port2

The behaviour of Port 0 and P2 during a MOVX access depends on the control bits in register SYSCON and on the state of pin $\bar{E}A$. The **table 3-1** lists the various operating conditions. It shows the following characteristics:

- a) Use of P0 and P2 pins during the MOVX access.
 - Bus: The pins work as external address/data bus. If (internal) XRAM is accessed, the data written to the XRAM can be seen on the bus in debug mode.
 - I/O: The pins work as Input/Output lines under control of their latch.
- b) Activation of the \bar{RD} and \bar{WR} pin during the access.
- c) Use of internal or external XDATA memory.

The shaded areas describe the standard operation as each 80C51 device without on-chip XRAM behaves.

		$\overline{EA} = 0$			$\overline{EA} = 1$		
		XMAP1, XMAP0			XMAP1, XMAP0		
		00	10	X1	00	10	X1
MOVX @DPTR	DPTR < XRAM address range	a)P0/P2→Bus b) $\overline{RD}/\overline{WR}$ active c)ext.memory is used	a)P0/P2→Bus b) $\overline{RD}/\overline{WR}$ active c)ext.memory is used	a)P0/P2→Bus b) $\overline{RD}/\overline{WR}$ active c)ext.memory is used	a)P0/P2→Bus b) $\overline{RD}/\overline{WR}$ active c)ext.memory is used	a)P0/P2→Bus b) $\overline{RD}/\overline{WR}$ active c)ext.memory is used	a)P0/P2→Bus b) $\overline{RD}/\overline{WR}$ active c)ext.memory is used
	DPTR ≥ XRAM address range	a)P0/P2→Bus ($\overline{RD}/\overline{WR}$ -Data) b) $\overline{RD}/\overline{WR}$ inactive c)XRAM is used	a)P0/P2→Bus ($\overline{RD}/\overline{WR}$ -Data) b) $\overline{RD}/\overline{WR}$ active c)XRAM is used	a)P0/P2→Bus b) $\overline{RD}/\overline{WR}$ active c) ext.memory is used	a)P0/P2→I/O b) $\overline{RD}/\overline{WR}$ inactive c)XRAM is used	a)P0/P2→Bus ($\overline{RD}/\overline{WR}$ -Data) b) $\overline{RD}/\overline{WR}$ active c)XRAM is used	a)P0/P2→Bus b) $\overline{RD}/\overline{WR}$ active c) ext.memory is used
MOVX @ Ri	XPAGE < XRAM addr.page range	a)P0→Bus P2→I/O b) $\overline{RD}/\overline{WR}$ active c)ext.memory is used	a)P0→Bus P2→I/O b) $\overline{RD}/\overline{WR}$ active c)ext.memory is used	a)P0→Bus P2→I/O b) $\overline{RD}/\overline{WR}$ active c)ext.memory is used	a)P0→Bus P2→I/O b) $\overline{RD}/\overline{WR}$ active c)ext.memory is used	a)P0→Bus P2→I/O b) $\overline{RD}/\overline{WR}$ active c)ext.memory is used	a)P0→Bus P2→I/O b) $\overline{RD}/\overline{WR}$ active c)ext.memory is used
	XPAGE ≥ XRAM addr.page range	a)P0→Bus ($\overline{RD}/\overline{WR}$ -Data) P2→I/O b) $\overline{RD}/\overline{WR}$ inactive c)XRAM is used	a)P0→Bus ($\overline{RD}/\overline{WR}$ -Data only) P2→I/O b) $\overline{RD}/\overline{WR}$ active c)XRAM is used	a)P0→Bus P2→I/O b) $\overline{RD}/\overline{WR}$ active c)ext.memory is used	a)P2→I/O P0/P2→I/O b) $\overline{RD}/\overline{WR}$ inactive c)XRAM is used	a)P0→Bus ($\overline{RD}/\overline{WR}$ -Data) P2→I/O b) $\overline{RD}/\overline{WR}$ active c)XRAM is used	a)P0→Bus P2→I/O b) $\overline{RD}/\overline{WR}$ active c)ext.memory is used



modes compatible to 8051/C501 family

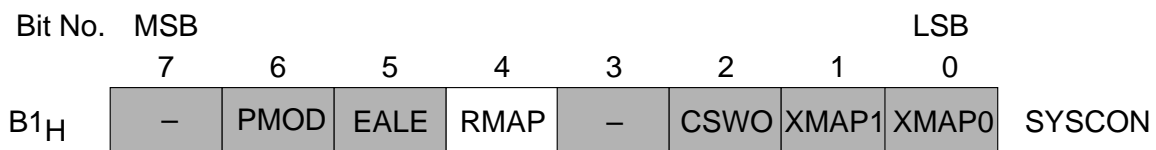
Table 3-1
Behaviour of P0/P2 and $\overline{RD}/\overline{WR}$ During MOVX Accesses

3.5 Special Function Registers

The registers, except the program counter and the four general purpose register banks, reside in the special function register area. The special function register area consists of two portions : the standard special function register area and the mapped special function register area. Two special function registers of the C515C (PCON1 and DIR5) are located in the mapped special function register area. For accessing the mapped special function register area, bit RMAP in special function register SYSCON must be set. All other special function registers are located in the standard special function register area which is accessed when RMAP is cleared ("0").

The registers and data locations of the CAN controller (CAN-SFRs) are located in the external data memory area at addresses F700_H to F7FF_H. Details about the access of these registers is described in **section 3.4.1** of this chapter.

Special Function Register SYSCON (Address B1_H) **Reset Value C515C-8R : X010XX01_B**
Reset Value C515C-8E : X010X001_B



The functions of the shaded bits are not described in this section.

Bit	Function
-	Reserved bits for future use.
RMAP	Special function register map bit RMAP = 0 : The access to the non-mapped (standard) special function register area is enabled. RMAP = 1 : The access to the mapped special function register area is enabled.

As long as bit RMAP is set, mapped special function register area can be accessed. This bit is not cleared by hardware automatically. Thus, when non-mapped/mapped registers are to be accessed, the bit RMAP must be cleared/set by software, respectively each.

All SFRs with addresses where address bits 0-2 are 0 (e.g. 80_H, 88_H, 90_H, 98_H, ..., F8_H, FF_H) are bitaddressable.

The 59 special function registers (SFRs) in the standard and mapped SFR area include pointers and registers that provide an interface between the CPU and the other on-chip peripherals. The SFRs of the C515C are listed in **table 3-2** and **table 3-3**. In **table 3-2** they are organized in groups which refer to the functional blocks of the C515C. The CAN-SFRs are also included in **table 3-2**. **Table 3-3** illustrates the contents of the SFRs in numeric order of their addresses. **Table 3-4** list the CAN-SFRs in numeric order of their addresses. .

Table 3-2
Special Function Registers - Functional Blocks

Block	Symbol	Name	Address	Contents after Reset
CPU	ACC	Accumulator	E0H ¹⁾	00H
	B	B-Register	F0H ¹⁾	00H
	DPH	Data Pointer, High Byte	83H	00H
	DPL	Data Pointer, Low Byte	82H	00H
	DPSEL	Data Pointer Select Register	92H	XXXXX000B ³⁾
	PSW	Program Status Word Register	D0H ¹⁾	00H
	SP	Stack Pointer	81H	07H
	SYSCON ²⁾	System Control Register	C515C-8R C515C-8E	B1H B1H
A/D- Converter	ADCON0 ²⁾	A/D Converter Control Register 0	D8H ¹⁾	00H
	ADCON1	A/D Converter Control Register 1	DC _H	0XXXX000B ³⁾
	ADDATH	A/D Converter Data Register High Byte	D9 _H	00H
	ADDATL	A/D Converter Data Register Low Byte	DA _H ⁴⁾	00XXXXXXB ³⁾
Interrupt System	IEN0 ²⁾	Interrupt Enable Register 0	A8H ¹⁾	00H
	IEN1 ²⁾	Interrupt Enable Register 1	B8H ¹⁾	00H
	IEN2	Interrupt Enable Register 2	9A _H	XX00X00XB ³⁾
	IP0 ²⁾	Interrupt Priority Register 0	A9 _H	00H
	IP1	Interrupt Priority Register 1	B9 _H	0X000000B ³⁾
	TCON ²⁾	Timer Control Register	88H ¹⁾	00H
	T2CON ²⁾	Timer 2 Control Register	C8H ¹⁾	00H
	SCON ²⁾	Serial Channel Control Register	98H ¹⁾	00H
IRCON	Interrupt Request Control Register	C0H ¹⁾	00H	
XRAM	XPAGE	Page Address Register for Extended on-chip XRAM and CAN Controller	91 _H	00H
	SYSCON ²⁾	System Control Register	C515C-8R C515C-8E	B1 _H B1 _H
Ports	P0	Port 0	80H ¹⁾	FF _H
	P1	Port 1	90H ¹⁾	FF _H
	P2	Port 2	A0H ¹⁾	FF _H
	P3	Port 3	B0H ¹⁾	FF _H
	P4	Port 4	E8H ¹⁾	FF _H
	P5	Port 5	F8H ¹⁾	FF _H
	DIR5	Port 5 Direction Register	F8H ¹⁾⁴⁾	FF _H
	P6	Port 6, Analog/Digital Input	DB _H	–
	P7	Port 7	FA _H	XXXXXXXX1B ³⁾
	SYSCON ²⁾	System Control Register	C515C-8R C515C-8E	B1 _H B1 _H

1) Bit-addressable special function registers

2) This special function register is listed repeatedly since some bits of it also belong to other functional blocks.

3) "X" means that the value is undefined and the location is reserved

4) This SFR is a mapped SFR. For accessing this SFR, bit PDIR in SFR IP1 must be set.

Table 3-2
Special Function Registers - Functional Blocks (cont'd)

Block	Symbol	Name	Address	Contents after Reset	
Serial Channel	ADCON0 ²⁾	A/D Converter Control Register 0	D8H ¹⁾	00H	
	PCON ²⁾	Power Control Register	87H	00H	
	SBUF	Serial Channel Buffer Register	99H	XXH ³⁾	
	SCON	Serial Channel Control Register	98H ¹⁾	00H	
	SRELL	Serial Channel Reload Register, low byte	AAH	D9H	
	SRELH	Serial Channel Reload Register, high byte	BAH	XXXXXX11B ³⁾	
CAN Controller	CR	Control Register	F700H	01H	
	SR	Status Register	F701H	XXH ³⁾	
	IR	Interrupt Register	F702H	XXH ³⁾	
	BTR0	Bit Timing Register Low	F704H	UUH ³⁾	
	BTR1	Bit Timing Register High	F705H	0UUUUUUUB ³⁾	
	GMS0	Global Mask Short Register Low	F706H	UUH ³⁾	
	GMS1	Global Mask Short Register High	F707H	UUU11111B ³⁾	
	UGML0	Upper Global Mask Long Register Low	F708H	UUH ³⁾	
	UGML1	Upper Global Mask Long Register High	F709H	UUH ³⁾	
	LGML0	Lower Global Mask Long Register Low	F70AH	UUH ³⁾	
	LGML1	Lower Global Mask Long Register High	F70BH	UUUUU000B ³⁾	
	UMLM0	Upper Mask of Last Message Register Low	F70CH	UUH ³⁾	
	UMLM1	Upper Mask of Last Message Register High	F70DH	UUH ³⁾	
	LMLM0	Lower Mask of Last Message Register Low	F70EH	UUH ³⁾	
	LMLM1	Lower Mask of Last Message Register High	F70FH	UUUUU000B ³⁾	
	Message Object Registers :				
	MCR0	Message Control Register Low	F7n0H ⁵⁾	UUH ³⁾	
	MCR1	Message Control Register High	F7n1H ⁵⁾	UUH ³⁾	
	UAR0	Upper Arbitration Register Low	F7n2H ⁵⁾	UUH ³⁾	
	UAR1	Upper Arbitration Register High	F7n3H ⁵⁾	UUH ³⁾	
	LAR0	Lower Arbitration Register Low	F7n4H ⁵⁾	UUH ³⁾	
	LAR1	Lower Arbitration Register High	F7n5H ⁵⁾	UUUUU000B ³⁾	
	MCFG	Message Configuration Register	F7n6H ⁵⁾	UUUUUU00B ³⁾	
	DB0	Message Data Byte 0	F7n7H ⁵⁾	XXH ³⁾	
	DB1	Message Data Byte 1	F7n8H ⁵⁾	XXH ³⁾	
	DB2	Message Data Byte 2	F7n9H ⁵⁾	XXH ³⁾	
	DB3	Message Data Byte 3	F7nAH ⁵⁾	XXH ³⁾	
	DB4	Message Data Byte 4	F7nBH ⁵⁾	XXH ³⁾	
	DB5	Message Data Byte 5	F7nC_H ⁵⁾	XXH ³⁾	
	DB6	Message Data Byte 6	F7nD_H ⁵⁾	XXH ³⁾	
	DB7	Message Data Byte 7	F7nE_H ⁵⁾	XXH ³⁾	

1) Bit-addressable special function registers

2) This special function register is listed repeatedly since some bits of it also belong to other functional blocks.

3) "X" means that the value is undefined and the location is reserved. "U" means that the value is unchanged by a reset operation. "U" values are undefined (as "X") after a power-on reset operation

4) SFR is located in the mapped SFR area. For accessing this SFR, bit RMAP in SFR SYSCON must be set.

5) The notation "n" in the message object address definition defines the number of the related message object.

Table 3-2
Special Function Registers - Functional Blocks (cont'd)

Block	Symbol	Name	Address	Contents after Reset
SSC Interface	SSCCON	SSC Control Register	93 _H ¹⁾	07 _H
	STB	SSC Transmit Buffer	94 _H	XX _H ³⁾
	SRB	SSC Receive Register	95 _H	XX _H ³⁾
	SCF	SSC Flag Register	AB _H ¹⁾	XXXXXX00 _B ³⁾
	SCIEN	SSC Interrupt Enable Register	AC _H	XXXXXX00 _B ³⁾
	SSCMOD	SSC Mode Test Register	96 _H	00 _H
Timer 0/ Timer 1	TCON	Timer 0/1 Control Register	88 _H ¹⁾	00 _H
	TH0	Timer 0, High Byte	8C _H	00 _H
	TH1	Timer 1, High Byte	8D _H	00 _H
	TL0	Timer 0, Low Byte	8A _H	00 _H
	TL1	Timer 1, Low Byte	8B _H	00 _H
	TMOD	Timer Mode Register	89 _H	00 _H
Compare/ Capture Unit / Timer 2	CCEN	Comp./Capture Enable Reg.	C1 _H	00 _H
	CCH1	Comp./Capture Reg. 1, High Byte	C3 _H	00 _H
	CCH2	Comp./Capture Reg. 2, High Byte	C5 _H	00 _H
	CCH3	Comp./Capture Reg. 3, High Byte	C7 _H	00 _H
	CCL1	Comp./Capture Reg. 1, Low Byte	C2 _H	00 _H
	CCL2	Comp./Capture Reg. 2, Low Byte	C4 _H	00 _H
	CCL3	Comp./Capture Reg. 3, Low Byte	C6 _H	00 _H
	CRCH	Com./Rel./Capt. Reg. High Byte	CB _H	00 _H
	CRCL	Com./Rel./Capt. Reg. Low Byte	CA _H	00 _H
	TH2	Timer 2, High Byte	CD _H	00 _H
	TL2	Timer 2, Low Byte	CC _H	00 _H
	T2CON	Timer 2 Control Register	C8 _H ¹⁾	00 _H
	Watchdog	WDTREL	Watchdog Timer Reload Register	86 _H
IEN0 ²⁾		Interrupt Enable Register 0	A8 _H ¹⁾	00 _H
IEN1 ²⁾		Interrupt Enable Register 1	B8 _H ¹⁾	00 _H
IPO ²⁾		Interrupt Priority Register 0	A9 _H	00 _H
Power Save Modes	PCON ²⁾	Power Control Register	87 _H	00 _H
	PCON1	Power Control Register 1	88 _H ⁴⁾	0XXXXXXXX _B ³⁾
			C515C-8E	88 _H ⁴⁾

1) Bit-addressable special function registers

2) This special function register is listed repeatedly since some bits of it also belong to other functional blocks.

3) "X" means that the value is undefined and the location is reserved

4) SFR is located in the mapped SFR area. For accessing this SFR, bit RMAP in SFR SYSCON must be set.

Table 3-3
Contents of the SFRs, SFRs in numeric order of their addresses

Addr	Register	Content after Reset ¹⁾	Bit 7	Bit 6	Bit 5	Bit 4	Bit 3	Bit 2	Bit 1	Bit 0
80 _H ²⁾	P0	FF _H	.7	.6	.5	.4	.3	.2	.1	.0
81 _H	SP	07 _H	.7	.6	.5	.4	.3	.2	.1	.0
82 _H	DPL	00 _H	.7	.6	.5	.4	.3	.2	.1	.0
83 _H	DPH	00 _H	.7	.6	.5	.4	.3	.2	.1	.0
86 _H	WDTRREL	00 _H	WDT PSEL	.6	.5	.4	.3	.2	.1	.0
87 _H	PCON	00 _H	SMOD	PDS	IDLS	SD	GF1	GF0	PDE	IDLE
88 _H ²⁾	TCON	00 _H	TF1	TR1	TF0	TR0	IE1	IT1	IE0	IT0
88 _H ³⁾	PCON1 ⁴⁾	0XXX- XXXX _B	EWPD	–	–	–	–	–	–	–
88 _H ³⁾	PCON1 ⁵⁾	0XX0- XXXX _B	EWPD	–	–	WS	–	–	–	–
89 _H	TMOD	00 _H	GATE	C/ \bar{T}	M1	M0	GATE	C/ \bar{T}	M1	M0
8A _H	TL0	00 _H	.7	.6	.5	.4	.3	.2	.1	.0
8B _H	TL1	00 _H	.7	.6	.5	.4	.3	.2	.1	.0
8C _H	TH0	00 _H	.7	.6	.5	.4	.3	.2	.1	.0
8D _H	TH1	00 _H	.7	.6	.5	.4	.3	.2	.1	.0
90 _H ²⁾	P1	FF _H	T2	CLK- OUT	T2EX	$\bar{INT}2$	INT6	INT5	INT4	$\bar{INT}3$
91 _H	XPAGE	00 _H	.7	.6	.5	.4	.3	.2	.1	.0
92 _H	DPSEL	XXXX- X000 _B	–	–	–	–	–	.2	.1	.0
93 _H	SSCCON	07 _H	SCEN	TEN	MSTR	CPOL	CPHA	BRS2	BRS1	BRS0
94 _H	STB	XX _H	.7	.6	.5	.4	.3	.2	.1	.0
95 _H	SRB	XX _H	.7	.6	.5	.4	.3	.2	.1	.0
96 _H	SSCMOD	00 _H	LOOPB	TRIO	0	0	0	0	0	LSBSM
98 _H ²⁾	SCON	00 _H	SM0	SM1	SM2	REN	TB8	RB8	TI	RI
99 _H	SBUF	XX _H	.7	.6	.5	.4	.3	.2	.1	.0

1) X means that the value is undefined and the location is reserved

2) Bit-addressable special function registers

3) SFR is located in the mapped SFR area. For accessing this SFR, bit RMAP in SFR SYSCON must be set.

4) This SFR is available in the C515C-8R and C515C-L.

5) This SFR is available in the C515C-8E.

Table 3-3
Contents of the SFRs, SFRs in numeric order of their addresses (cont'd)

Addr	Register	Content after Reset ¹⁾	Bit 7	Bit 6	Bit 5	Bit 4	Bit 3	Bit 2	Bit 1	Bit 0
9A _H	IEN2	X00X- X00X _B	–	–	EX8	EX7	–	ESSC	ECAN	–
A0 _H ²⁾	P2	FF _H	.7	.6	.5	.4	.3	.2	.1	.0
A8 _H ²⁾	IEN0	00 _H	EAL	WDT	ET2	ES	ET1	EX1	ET0	EX0
A9 _H	IP0	00 _H	OWDS	WDTS	.5	.4	.3	.2	.1	.0
AA _H	SRELL	D9 _H	.7	.6	.5	.4	.3	.2	.1	.0
AB _H	SCF	XXXX- XX00 _B	–	–	–	–	–	–	WCOL	TC
AC _H	SCIEN	XXXX- XX00 _B	–	–	–	–	–	–	WCEN	TCEN
B0 _H ²⁾	P3	FF _H	RD	WR	T1	T0	INT1	INT0	TxD	RxD
B1 _H	SYSCON ³⁾	X010- XX01 _B	–	PMOD	EALE	RMAP	–	–	XMAP1	XMAP0
B1 _H	SYSCON ⁴⁾	X010- X001 _B	–	PMOD	EALE	RMAP	–	CSWO	XMAP1	XMAP0
B8 _H ²⁾	IEN1	00 _H	EXEN2	SWDT	EX6	EX5	EX4	EX3	EX2	EADC
B9 _H	IP1	0X00- 0000 _B	PDIR	–	.5	.4	.3	.2	.1	.0
BA _H	SRELH	XXXX- XX11 _B	–	–	–	–	–	–	.1	.0
C0 _H ²⁾	IRCON	00 _H	EXF2	TF2	IEX6	IEX5	IEX4	IEX3	IEX2	IADC
C1 _H	CCEN	00 _H	COCA H3	COCAL 3	COCA H2	COCAL 2	COCA H1	COCAL 1	COCA H0	COCAL 0
C2 _H	CCL1	00 _H	.7	.6	.5	.4	.3	.2	.1	.0
C3 _H	CCH1	00 _H	.7	.6	.5	.4	.3	.2	.1	.0
C4 _H	CCL2	00 _H	.7	.6	.5	.4	.3	.2	.1	.0
C5 _H	CCH2	00 _H	.7	.6	.5	.4	.3	.2	.1	.0
C6 _H	CCL3	00 _H	.7	.6	.5	.4	.3	.2	.1	.0
C7 _H	CCH3	00 _H	.7	.6	.5	.4	.3	.2	.1	.0
C8 _H ²⁾	T2CON	00 _H	T2PS	I3FR	I2FR	T2R1	T2R0	T2CM	T2I1	T2I0

1) X means that the value is undefined and the location is reserved

2) Bit-addressable special function registers

3) This SFR is available in the C515C-8R and C515C-L.

4) This SFR is available in the C515C-8E.

Table 3-3
Contents of the SFRs, SFRs in numeric order of their addresses (cont'd)

Addr	Register	Content after Reset ¹⁾	Bit 7	Bit 6	Bit 5	Bit 4	Bit 3	Bit 2	Bit 1	Bit 0
CA _H	CRCL	00 _H	.7	.6	.5	.4	.3	.2	.1	.0
CB _H	CRCH	00 _H	.7	.6	.5	.4	.3	.2	.1	.0
CC _H	TL2	00 _H	.7	.6	.5	.4	.3	.2	.1	.0
CD _H	TH2	00 _H	.7	.6	.5	.4	.3	.2	.1	.0
D0 _H ²⁾	PSW	00 _H	CY	AC	F0	RS1	RS0	OV	F1	P
D8 _H ²⁾	ADCON0	00 _H	BD	CLK	ADEX	BSY	ADM	MX2	MX1	MX0
D9 _H	ADDATH	00 _H	.9	.8	.7	.6	.5	.4	.3	.2
DA _H	ADDATL	00XX-XXXX _B	.1	.0	–	–	–	–	–	–
DB _H	P6	–	.7	.6	.5	.4	.3	.2	.1	.0
DC _H	ADCON1	0XXX-X000 _B	ADCL	–	–	–	0	MX2	MX1	MX0
E0 _H ²⁾	ACC	00 _H	.7	.6	.5	.4	.3	.2	.1	.0
E8 _H ²⁾	P4	FF _H	RXDC	TXDC	$\overline{\text{INT8}}$	$\overline{\text{SLS}}$	STO	SRI	SCLK	$\overline{\text{ADST}}$
F0 _H ²⁾	B	00 _H	.7	.6	.5	.4	.3	.2	.1	.0
F8 _H ²⁾	P5	FF _H	.7	.6	.5	.4	.3	.2	.1	.0
F8 _H ²⁾	DIR5 ³⁾	FF _H	.7	.6	.5	.4	.3	.2	.1	.0
FA _H	P7	XXXX-XXX1 _B	–	–	–	–	–	–	–	$\overline{\text{INT7}}$
FC _H	VR0 ⁴⁾⁵⁾	C5 _H	1	1	0	0	0	1	0	1
FD _H	VR1 ⁴⁾⁵⁾	95 _H	1	0	0	1	0	1	0	1
FE _H	VR2 ⁴⁾⁵⁾	6)	.7	.6	.5	.4	.3	.2	.1	.0

1) X means that the value is undefined and the location is reserved

2) Bit-addressable special function registers

3) This SFR is a mapped SFR. For accessing this SFR, bit PDIR in SFR IP1 must be set.

4) This SFR is a mapped SFR. For accessing this SFR, bit RMAP in SFR SYSCON must be set.

5) These SFRs are read-only registers (C515C-8E only).

6) The content of this SFR varies with the actual step of the C515C-8E (see also chapter 10-7).

Table 3-4
Contents of the CAN Registers in numeric order of their addresses

Addr. n=1-F _H ¹⁾	Register	Content after Reset ²⁾	Bit 7	Bit 6	Bit 5	Bit 4	Bit 3	Bit 2	Bit 1	Bit 0
F700 _H	CR	01 _H	TEST	CCE	0	0	EIE	SIE	IE	INIT
F701 _H	SR	XX _H	BOFF	EWRN	–	RXOK	TXOK	LEC2	LEC1	LEC0
F702 _H	IR	XX _H	INTID							
F704 _H	BTR0	UU _H	SJW			BRP				
F705 _H	BTR1	0UUU. UUUU _B	0	TSEG2			TSEG1			
F706 _H	GMS0	UU _H	ID28-21							
F707 _H	GMS1	UUU1. 1111 _B	ID20-18			1	1	1	1	1
F708 _H	UGML0	UU _H	ID28-21							
F709 _H	UGML1	UU _H	ID20-13							
F70A _H	LGML0	UU _H	ID12-5							
F70B _H	LGML1	UUUU. U000 _B	ID4-0					0	0	0
F70C _H	UMLM0	UU _H	ID28-21							
F70D _H	UMLM1	UU _H	ID20-18			ID17-13				
F70E _H	LMLM0	UU _H	ID12-5							
F70F _H	LMLM1	UUUU. U000 _B	ID4-0					0	0	0
F7n0 _H	MCR0	UU _H	MSGVAL		TXIE		RXIE		INTPND	
F7n1 _H	MCR1	UU _H	RMT PND		TXRQ		MSGLST CPUUPD		NEWDAT	
F7n2 _H	UAR0	UU _H	ID28-21							
F7n3 _H	UAR1	UU _H	ID20-18			ID17-13				
F7n4 _H	LAR0	UU _H	ID12-5							
F7n5 _H	LAR1	UUUU. U000 _B	ID4-0					0	0	0
F7n6 _H	MCFG	UUUU. UU00 _B	DLC				DIR	XTD	0	0

1) The notation "n" in the address definition defines the number of the related message object.

2) "X" means that the value is undefined and the location is reserved. "U" means that the value is unchanged by a reset operation. "U" values are undefined (as "X") after a power-on reset operation

Table 3-4
Contents of the CAN Registers in numeric order of their addresses (cont'd)

Addr. n=1-F _H ¹⁾	Register	Content after Reset ²⁾	Bit 7	Bit 6	Bit 5	Bit 4	Bit 3	Bit 2	Bit 1	Bit 0
F7n7 _H	DB0n	XX _H	.7	.6	.5	.4	.3	.2	.1	.0
F7n8 _H	DB1n	XX _H	.7	.6	.5	.4	.3	.2	.1	.0
F7n9 _H	DB2n	XX _H	.7	.6	.5	.4	.3	.2	.1	.0
F7nA _H	DB3n	XX _H	.7	.6	.5	.4	.3	.2	.1	.0
F7nB _H	DB4n	XX _H	.7	.6	.5	.4	.3	.2	.1	.0
F7nC _H	DB5n	XX _H	.7	.6	.5	.4	.3	.2	.1	.0
F7nD _H	DB6n	XX _H	.7	.6	.5	.4	.3	.2	.1	.0
F7nE _H	DB7n	XX _H	.7	.6	.5	.4	.3	.2	.1	.0

1) The notation "n" in the address definition defines the number of the related message object.

2) "X" means that the value is undefined and the location is reserved. "U" means that the value is unchanged by a reset operation. "U" values are undefined (as "X") after a power-on reset operation

4 External Bus Interface

The C515C allows for external memory expansion. The functionality and implementation of the external bus interface is identical to the common interface for the 8051 architecture with one exception : if the C515C is used in systems with no external memory the generation of the ALE signal can be suppressed. Resetting bit EALE in SFR SYSCON register, the ALE signal will be gated off. This feature reduces RFI emissions of the system.

4.1 Accessing External Memory

It is possible to distinguish between accesses to external program memory and external data memory or other peripheral components respectively. This distinction is made by hardware: accesses to external program memory use the signal $\overline{\text{PSEN}}$ (program store enable) as a read strobe. Accesses to external data memory use $\overline{\text{RD}}$ and $\overline{\text{WR}}$ to strobe the memory (alternate functions of P3.7 and P3.6). Port 0 and port 2 (with exceptions) are used to provide data and address signals. In this section only the port 0 and port 2 functions relevant to external memory accesses are described.

Fetches from external program memory always use a 16-bit address. Accesses to external data memory can use either a 16-bit address (MOVX @DPTR) or an 8-bit address (MOVX @Ri).

4.1.1 Role of P0 and P2 as Data/Address Bus

When used for accessing external memory, port 0 provides the data byte time-multiplexed with the low byte of the address. In this state, port 0 is disconnected from its own port latch, and the address/data signal drives both FETs in the port 0 output buffers. Thus, in this application, the port 0 pins are not open-drain outputs and do not require external pullup resistors.

During any access to external memory, the CPU writes FF_H to the port 0 latch (the special function register), thus obliterating whatever information the port 0 SFR may have been holding.

Whenever a 16-bit address is used, the high byte of the address comes out on port 2, where it is held for the duration of the read or write cycle. During this time, the port 2 lines are disconnected from the port 2 latch (the special function register).

Thus the port 2 latch does not have to contain 1s, and the contents of the port 2 SFR are not modified.

If an 8-bit address is used (MOVX @Ri), the contents of the port 2 SFR remain at the port 2 pins throughout the external memory cycle. This will facilitate paging. It should be noted that, if a port 2 pin outputs an address bit that is a 1, strong pullups will be used for the entire read/write cycle and not only for two oscillator periods.

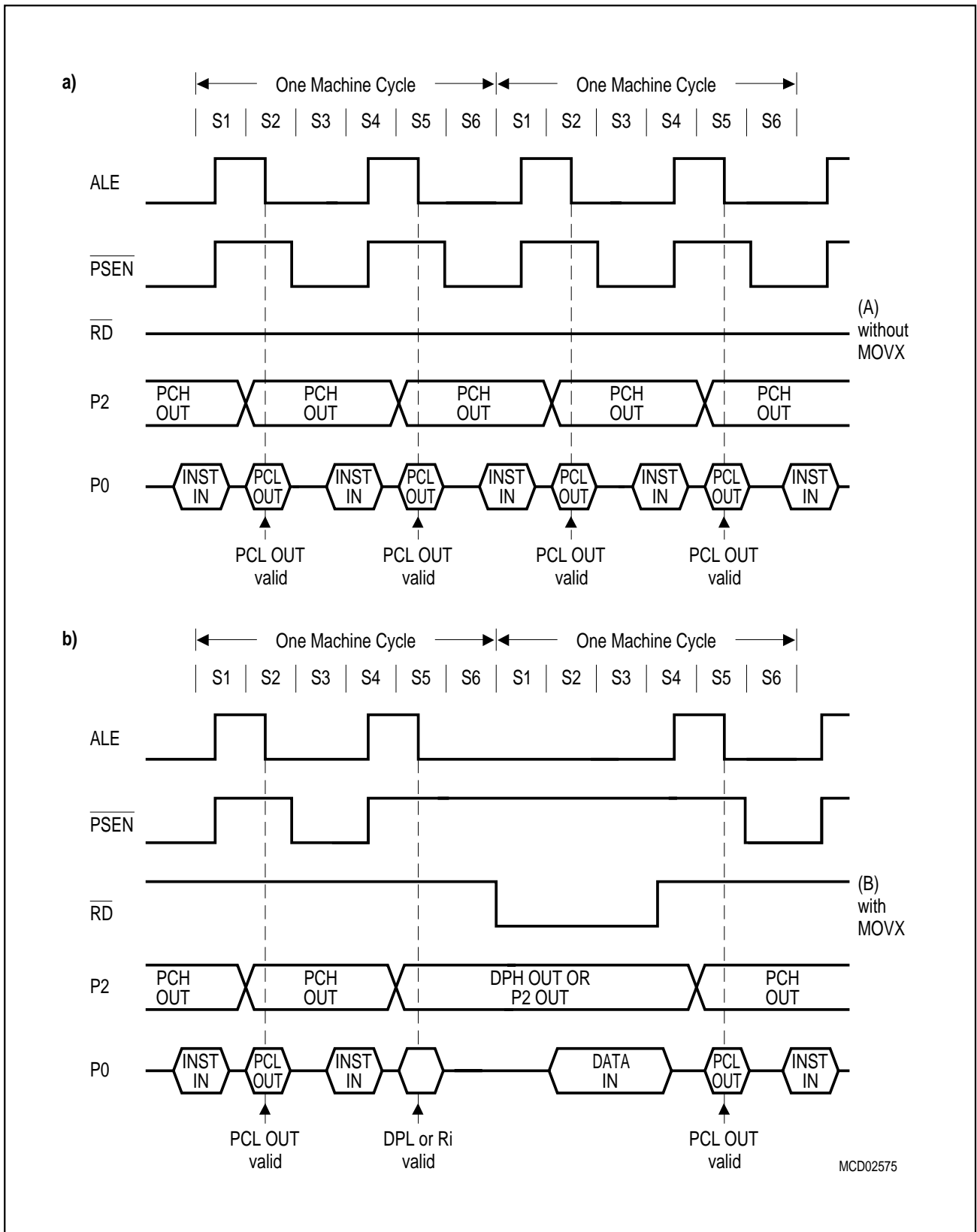


Figure 4-1
External Program Memory Execution

4.1.2 Timing

The timing of the external bus interface, in particular the relationship between the control signals ALE, $\overline{\text{PSEN}}$, $\overline{\text{RD}}$, $\overline{\text{WR}}$ and information on port 0 and port 2, is illustrated in **figure 4-1 a) and b)**.

Data memory: in a write cycle, the data byte to be written appears on port 0 just before $\overline{\text{WR}}$ is activated and remains there until after $\overline{\text{WR}}$ is deactivated. In a read cycle, the incoming byte is accepted at port 0 before the read strobe is deactivated.

Program memory: Signal $\overline{\text{PSEN}}$ functions as a read strobe.

4.1.3 External Program Memory Access

The external program memory is accessed whenever signal $\overline{\text{EA}}$ is active (low): Due to the 64K internal ROM, no mixed internal/external program memory execution is possible.

When the CPU is executing out of external program memory, all 8 bits of port 2 are dedicated to an output function and may not be used for general-purpose I/O. The contents of the port 2 SFR however is not affected. During external program memory fetches port 2 lines output the high byte of the PC, and during accesses to external data memory they output either DPH or the port 2 SFR (depending on whether the external data memory access is a MOVX @DPTR or a MOVX @Ri).

4.2 $\overline{\text{PSEN}}$, Program Store Enable

The read strobe for external fetches is $\overline{\text{PSEN}}$. $\overline{\text{PSEN}}$ is not activated for internal fetches. When the CPU is accessing external program memory, $\overline{\text{PSEN}}$ is activated twice every cycle (except during a MOVX instruction) no matter whether or not the byte fetched is actually needed for the current instruction. When $\overline{\text{PSEN}}$ is activated its timing is not the same as for $\overline{\text{RD}}$. A complete $\overline{\text{RD}}$ cycle, including activation and deactivation of ALE and $\overline{\text{RD}}$, takes 6 oscillator periods. A complete $\overline{\text{PSEN}}$ cycle, including activation and deactivation of ALE and $\overline{\text{PSEN}}$ takes 3 oscillator periods. The execution sequence for these two types of read cycles is shown in **figure 4-1 a) and b)**.

4.3 Overlapping External Data and Program Memory Spaces

In some applications it is desirable to execute a program from the same physical memory that is used for storing data. In the C515C the external program and data memory spaces can be combined by AND-ing $\overline{\text{PSEN}}$ and $\overline{\text{RD}}$. A positive logic AND of these two signals produces an active low read strobe that can be used for the combined physical memory. Since the $\overline{\text{PSEN}}$ cycle is faster than the $\overline{\text{RD}}$ cycle, the external memory needs to be fast enough to adapt to the $\overline{\text{PSEN}}$ cycle.

4.4 ALE, Address Latch Enable

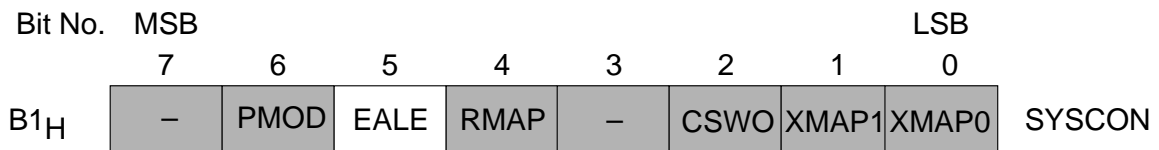
The C515C allows to switch off the ALE output signal. If the internal ROM is used ($\overline{EA}=1$) and ALE is switched off by EALE=0, Then, ALE will only go active during external data memory accesses (MOVX instructions). If $\overline{EA}=0$, the ALE generation is always enabled and the bit EALE has no effect.

After a hardware reset the ALE generation is enabled.

Special Function Register SYSCON (Address B1_H)

Reset Value C515C-8R : X010XX01_B

Reset Value C515C-8E : X010X001_B



The function of the shaded bit is not described in this section.

Bit	Function
-	Reserved bits for future use.
EALE	<p>Enable ALE output</p> <p>EALE = 0 : ALE generation is disabled; disables ALE signal generation during internal code memory accesses ($\overline{EA}=1$). With $\overline{EA}=1$, ALE is automatically generated at MOVX instructions.</p> <p>EALE = 1 : ALE generation is enabled</p> <p>If $\overline{EA}=0$, the ALE generation is always enabled and the bit EALE has no effect on the ALE generation.</p>

4.5 Enhanced Hooks Emulation Concept

The Enhanced Hooks Emulation Concept of the C500 microcontroller family is a new, innovative way to control the execution of C500 MCUs and to gain extensive information on the internal operation of the controllers. Emulation of on-chip ROM based programs is possible, too. Each production chip has built-in logic for the support of the Enhanced Hooks Emulation Concept. Therefore, no costly bond-out chips are necessary for emulation. This also ensure that emulation and production chips are identical.

The Enhanced Hooks Technology™, which requires embedded logic in the C500 allows the C500 together with an EH-IC to function similar to a bond-out chip. This simplifies the design and reduces costs of an ICE-system. ICE-systems using an EH-IC and a compatible C500 are able to emulate all operating modes of the different versions of the C500 microcontrollers. This includes emulation of ROM, ROM with code rollover and ROMless modes of operation. It is also able to operate in single step mode and to read the SFRs after a break.

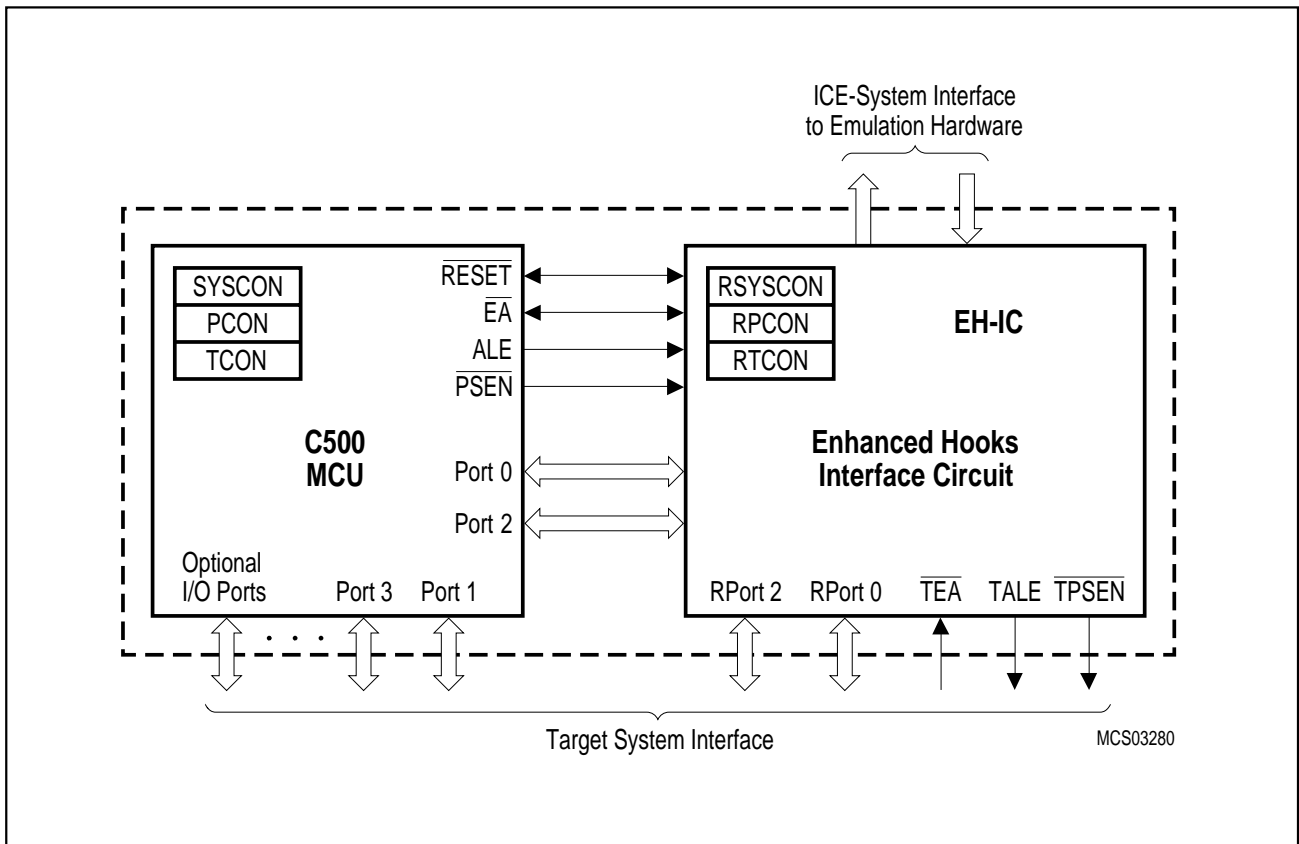


Figure 4-2
Basic C500 MCU Enhanced Hooks Concept Configuration

Port 0, port 2 and some of the control lines of the C500 based MCU are used by Enhanced Hooks Emulation Concept to control the operation of the device during emulation and to transfer informations about the programm execution and data transfer between the external emulation hardware (ICE-system) and the C500 MCU.

4.6 Eight Datapointers for Faster External Bus Access

4.6.1 The Importance of Additional Datapointers

The standard 8051 architecture provides just one 16-bit pointer for indirect addressing of external devices (memories, peripherals, latches, etc.). Except for a 16-bit "move immediate" to this datapointer and an increment instruction, any other pointer handling is to be handled bitwise. For complex applications with peripherals located in the external data memory space (e.g. CAN controller) or extended data storage capacity this turned out to be a "bottle neck" for the 8051's communication to the external world. Especially programming in high-level languages (PLM51, C51, PASCAL51) requires extended RAM capacity and at the same time a fast access to this additional RAM because of the reduced code efficiency of these languages.

4.6.2 How the eight Datapointers of the C515C are realized

Simply adding more datapointers is not suitable because of the need to keep up 100% compatibility to the 8051 instruction set. This instruction set, however, allows the handling of only one single 16-bit datapointer (DPTR, consisting of the two 8-bit SFRs DPH and DPL).

To meet both of the above requirements (speed up external accesses, 100% compatibility to 8051 architecture) the C515C contains a set of eight 16-bit registers from which the actual datapointer can be selected.

This means that the user's program may keep up to eight 16-bit addresses resident in these registers, but only one register at a time is selected to be the datapointer. Thus the datapointer in turn is accessed (or selected) via indirect addressing. This indirect addressing is done through a special function register called DPSEL (data pointer select register). All instructions of the C515C which handle the datapointer therefore affect only one of the eight pointers which is addressed by DPSEL at that very moment.

Figure 4-3 illustrates the addressing mechanism: a 3-bit field in register DPSEL points to the currently used DPTRx. Any standard 8051 instruction (e.g. MOVX @DPTR, A - transfer a byte from accumulator to an external location addressed by DPTR) now uses this activated DPTRx.

Special Function Register DPSEL (Address 92H)

Reset Value : XXXXX000_B

Bit No.	MSB							LSB		
	7	6	5	4	3	2	1	0		
92 _H	-	-	-	-	-	.2	.1	.0	DPSEL	

Bit	Function
DPSEL.2-0	Data pointer select bits DPSEL.2-0 defines the number of the actual active data pointer.DPTR0-7.

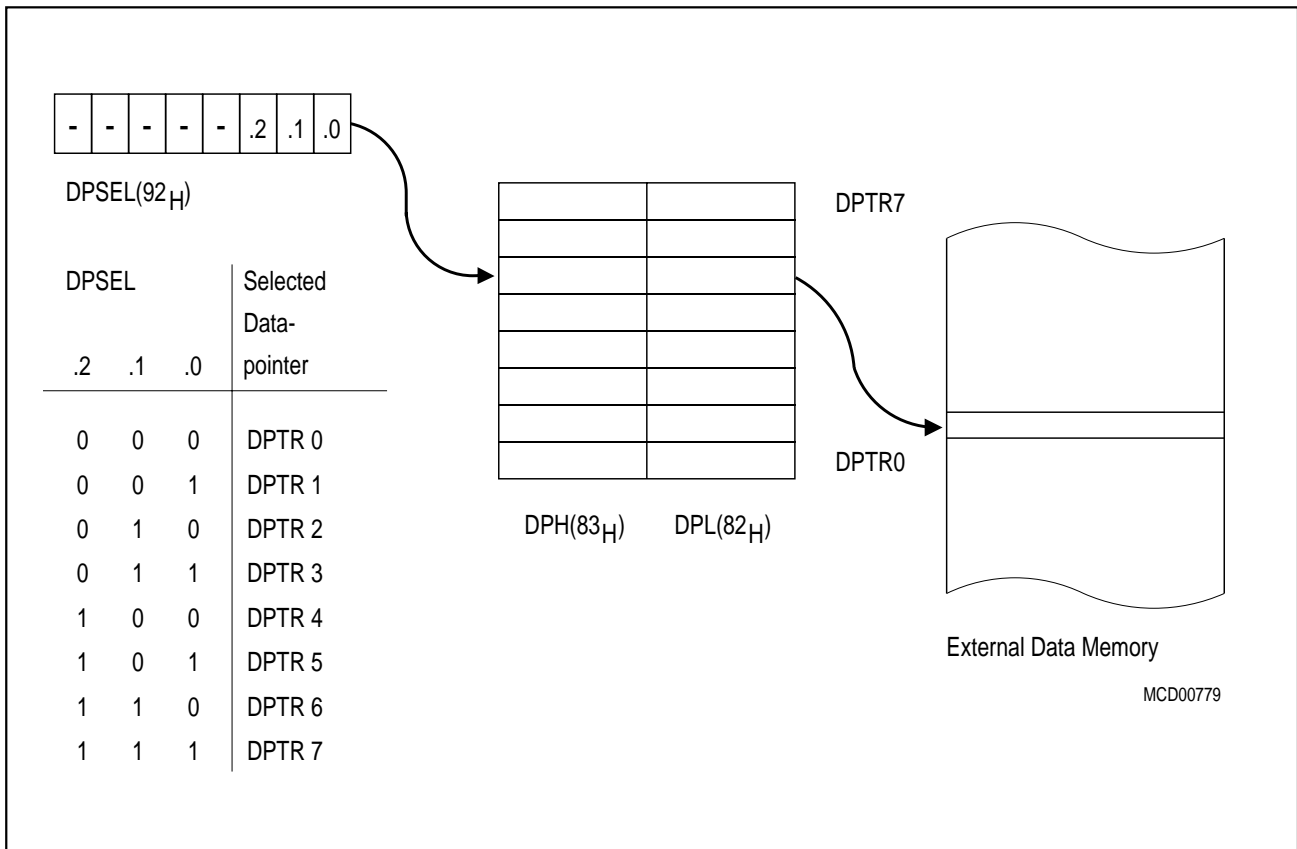


Figure 4-3
Accessing of External Data Memory via Multiple Datapointers

4.6.3 Advantages of Multiple Datapointers

Using the above addressing mechanism for external data memory results in less code and faster execution of external accesses. Whenever the contents of the datapointer must be altered between two or more 16-bit addresses, one single instruction, which selects a new datapointer, does this job. If the program uses just one datapointer, then it has to save the old value (with two 8-bit instructions) and load the new address, byte by byte. This not only takes more time, it also requires additional space in the internal RAM.

4.6.4 Application Example and Performance Analysis

The following example shall demonstrate the involvement of multiple data pointers in a table transfer from the code memory to external data memory.

Start address of ROM source table: 1FFF_H
 Start address of table in external RAM: 2FA0_H

Example 1 : Using only One Datapointer (Code for an C501)

Initialization Routine

```

MOV    LOW(SRC_PTR), #0FFH    ;Initialize shadow_variables with source_pointer
MOV    HIGH(SRC_PTR), #1FH
MOV    LOW(DES_PTR), #0A0H    ;Initialize shadow_variables with destination_pointer
MOV    HIGH(DES_PTR), #2FH

```

Table Look-up Routine under Real Time Conditions

		Number of cycles
	;	
PUSH	DPL	;Save old datapointer 2
PUSH	DPH	; 2
MOV	DPL, LOW(SRC_PTR)	;Load Source Pointer 2
MOV	DPH, HIGH(SRC_PTR)	; 2
;INC	DPTR	Increment and check for end of table (execution time
;CJNE	...	not relevant for this consideration) -
MOVC	A,@DPTR	;Fetch source data byte from ROM table 2
MOV	LOW(SRC_PTR), DPL	;Save source_pointer and 2
MOV	HIGH(SRC_PTR), DPH	;load destination_pointer 2
MOV	DPL, LOW(DES_PTR)	; 2
MOV	DPH, HIGH(DES_PTR)	; 2
INC	DPTR	;Increment destination_pointer
		;(ex. time not relevant) -
MOVX	@DPTR, A	;Transfer byte to destination address 2
MOV	LOW(DES_PTR), DPL	;Save destination_pointer 2
MOV	HIGH(DES_PTR),DPH	; 2
POP	DPH	;Restore old datapointer 2
POP	DPL	; 2
;		Total execution time (machine cycles) : 28

Example 2 : Using Two Datapointers (Code for an C515C)

Initialization Routine

```

MOV    DPSEL, #06H           ;Initialize DPTR6 with source pointer
MOV    DPTR, #1FFFH
MOV    DPSEL, #07H           ;Initialize DPTR7 with destination pointer
MOV    DPTR, #2FA0H
    
```

Table Look-up Routine under Real Time Conditions

		Number of cycles
	;	
PUSH	DPSEL	;Save old source pointer 2
MOV	DPSEL, #06H	;Load source pointer 2
;	INC DPTR	Increment and check for end of table (execution time
;	CJNE ...	not relevant for this consideration) -
MOVC	A, @DPTR	;Fetch source data byte from ROM table 2
MOV	DPSEL, #07H	;Save source_pointer and
		;load destination_pointer 2
MOVX	@DPTR, A	;Transfer byte to destination address 2
POP	DPSEL	;Save destination pointer and
		;restore old datapointer 2
;		Total execution time (machine cycles) : 12

The above example shows that utilization of the C515C's multiple datapointers can make external bus accesses two times as fast as with a standard 8051 or 8051 derivative. Here, four data variables in the internal RAM and two additional stack bytes were spared, too. This means for some applications where all eight datapointers are employed that an C515C program has up to 24 byte (16 variables and 8 stack bytes) of the internal RAM free for other use.

4.7 ROM/OTP Protection for the C515C-8R / C515C-8E

The C515C-8R ROM version allows to protect the contents of the internal ROM against read out by non authorized people. The type of ROM protection (protected or unprotected) is fixed with the ROM mask. Therefore, the customer of a C515C-8R ROM version has to define whether ROM protection has to be selected or not.

The C515C-8E OTP version allows also program memory protection in several levels (see **chapter 10.6**). The program memory protection for the C515C-8E can be activated after programming of the device.

The C515C-8R devices, which operate from internal ROM, are always checked for correct ROM contents during production test. Therefore, unprotected and also protected ROMs must provide a procedure to verify the ROM contents. In ROM verification mode 1, which is used to verify unprotected ROMs, a ROM address is applied externally to the C515C-8R and the ROM data byte is output at port 0. ROM verification mode 2, which is used to verify ROM and OTP (in protection level 1) protected devices, operates different : ROM addresses are generated internally and the expected data bytes must be applied externally to the device (by the manufacturer or by the customer) and are compared internally with the data bytes from the ROM. After 16 byte verify operations the state of the P3.5 pin shows whether the last 16 bytes have been verified correctly.

This mechanism provides a very high security of ROM protection. Only the owner of the ROM code and the manufacturer who know the contents of the ROM can read out and verify it with less effort.

4.7.1 Unprotected ROM Mode

If the ROM is unprotected, the ROM verification mode 1 as shown in **figure 4-4** is used to read out the contents of the ROM. The AC timing characteristics of the ROM verification mode is shown in the AC specifications (**chapter 11**).

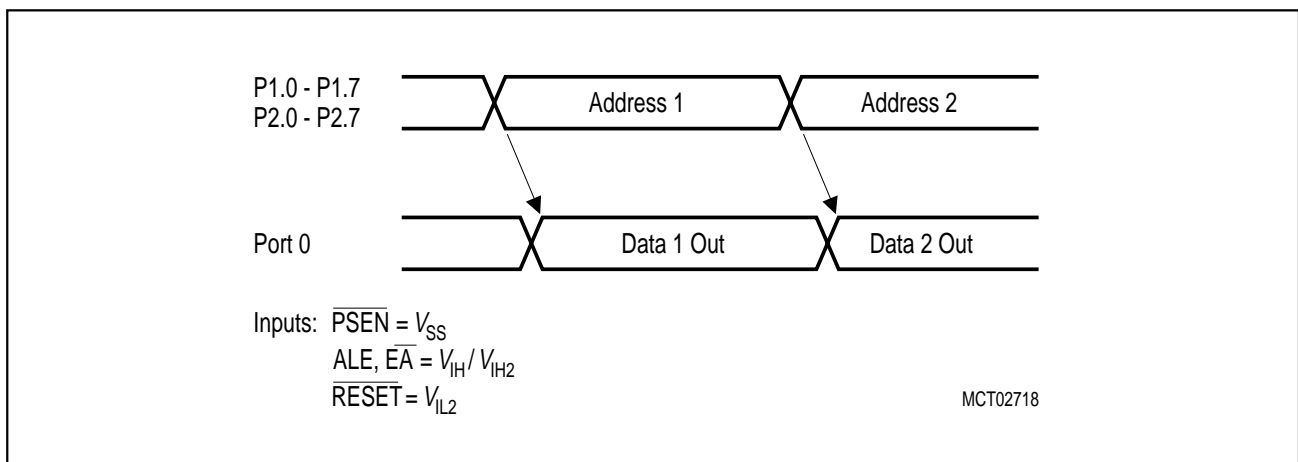


Figure 4-4
ROM Verification Mode 1

ROM verification mode 1 is selected if the inputs \overline{PSEN} , ALE , \overline{EA} , and \overline{RESET} are put to the specified logic level. Then the 16-bit address of the internal ROM byte to be read is applied to the port 1 and port 2 lines. After a delay time, port 0 outputs the content of the addressed ROM cell. In ROM verification mode 1, the C515C-8R must be provided with a system clock at the XTAL pins and pullup resistors on the port 0 lines.

4.7.2 Protected ROM/OTP Mode

If the C515C-8R ROM is protected by mask (or C515C-8E in protection level 1), the ROM/OTP verification mode 2 as shown in **figure 4-5** is used to verify the content of the ROM/OTP. The detailed timing characteristics of the ROM verification mode is shown in the AC specifications (**chapter 11**).

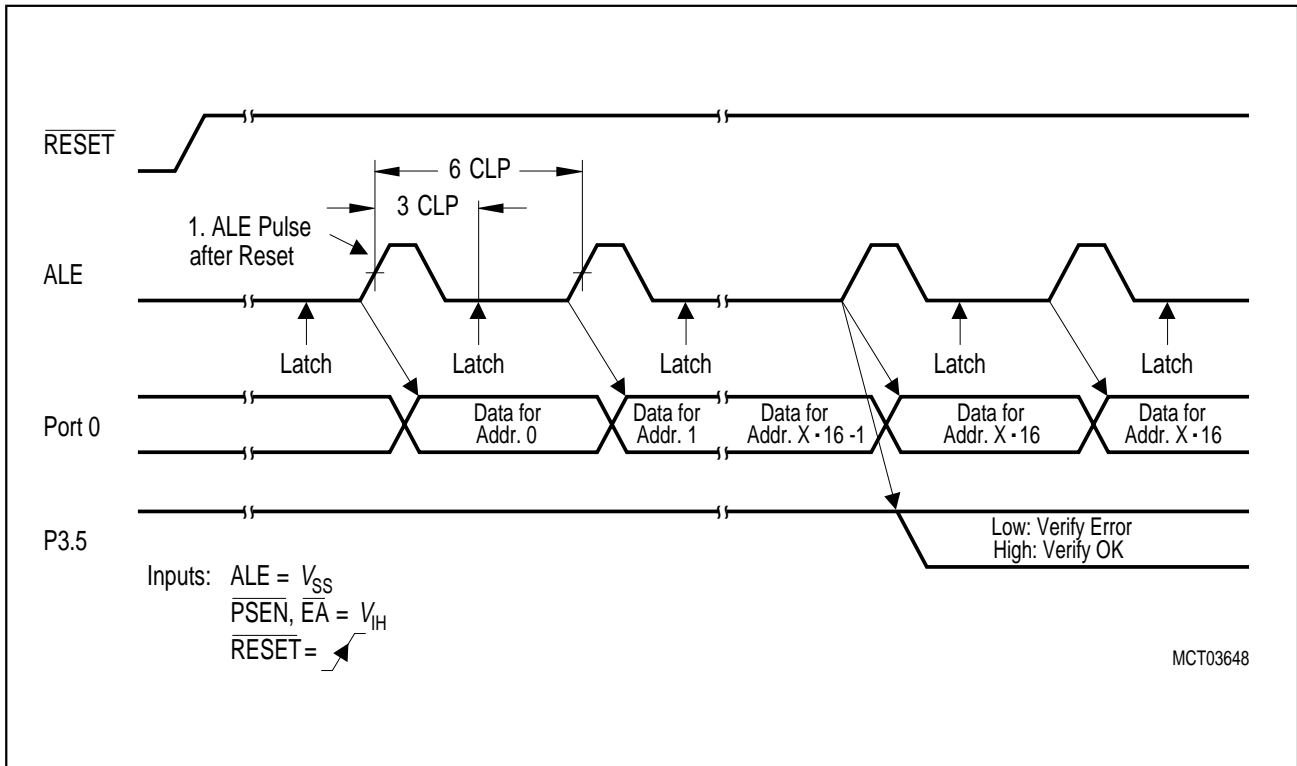


Figure 4-5
ROM/OTP Verification Mode 2

ROM/OTP verification mode 2 is selected if the inputs $\overline{\text{PSEN}}$, $\overline{\text{EA}}$, and ALE are put to the specified logic levels. With $\overline{\text{RESET}}$ going inactive, the ROM/OTP verification mode 2 sequence is started. The C515C outputs an ALE signal with a period of 3 CLP and expects data bytes at port 0. The data bytes at port 0 are assigned to the ROM addresses in the following way :

- 1. Data Byte = content of internal ROM/OTP address 0000_H
- 2. Data Byte = content of internal ROM/OTP address 0001_H
- 3. Data Byte = content of internal ROM/OTP address 0002_H
- :
- 16. Data Byte = content of internal ROM/OTP address 000F_H
- :

The C515C does not output any address information during the ROM/OTP verification mode 2. The first data byte to be verified is always the byte which is assigned to the internal ROM address 0000_H and must be put onto the data bus with the rising edge of $\overline{\text{RESET}}$. With each following ALE pulse the ROM/OTP address pointer is internally incremented and the expected data byte for the next ROM/OTP address must be delivered externally.

Between two ALE pulses the data at port 0 is latched (at 3 CLP after ALE rising edge) and compared internally with the ROM/OTP content of the actual address. If an verify error is detected, the error condition is stored internally. After each 16th data byte the cumulated verify result (pass or fail) of the last 16 verify operations is output at P3.5. If P3.5 has been set low (verify error detected), it will stay at low level even if the following ROM verification sequence does not detect further verify errors. In ROM/OTP verification mode 2, the C515C must be provided with a system clock at the XTAL pins.

Figure 4-6 shows an application example of a external circuitry which allows to verify a protected ROM/OTP inside the C515C in ROM/OTP verification mode 2. With $\overline{\text{RESET}}$ going inactive, the C515C starts the ROM/OTP verify sequence. Its ALE is clocking an 16-bit address counter. This counter generates the addresses for an external EPROM which is programmed with the contents of the internal (protected) ROM/OTP. The verify detect logic typically displays the pass/fail information of the verify operation. P3.5 can be latched with the falling edge of ALE.

When the last byte of the internal ROM/OTP has been handled, the C515C starts generating a $\overline{\text{PSEN}}$ signal. This signal or the CY signal of the address counter indicate to the verify detect logic the end of the internal ROM/OTP verification.

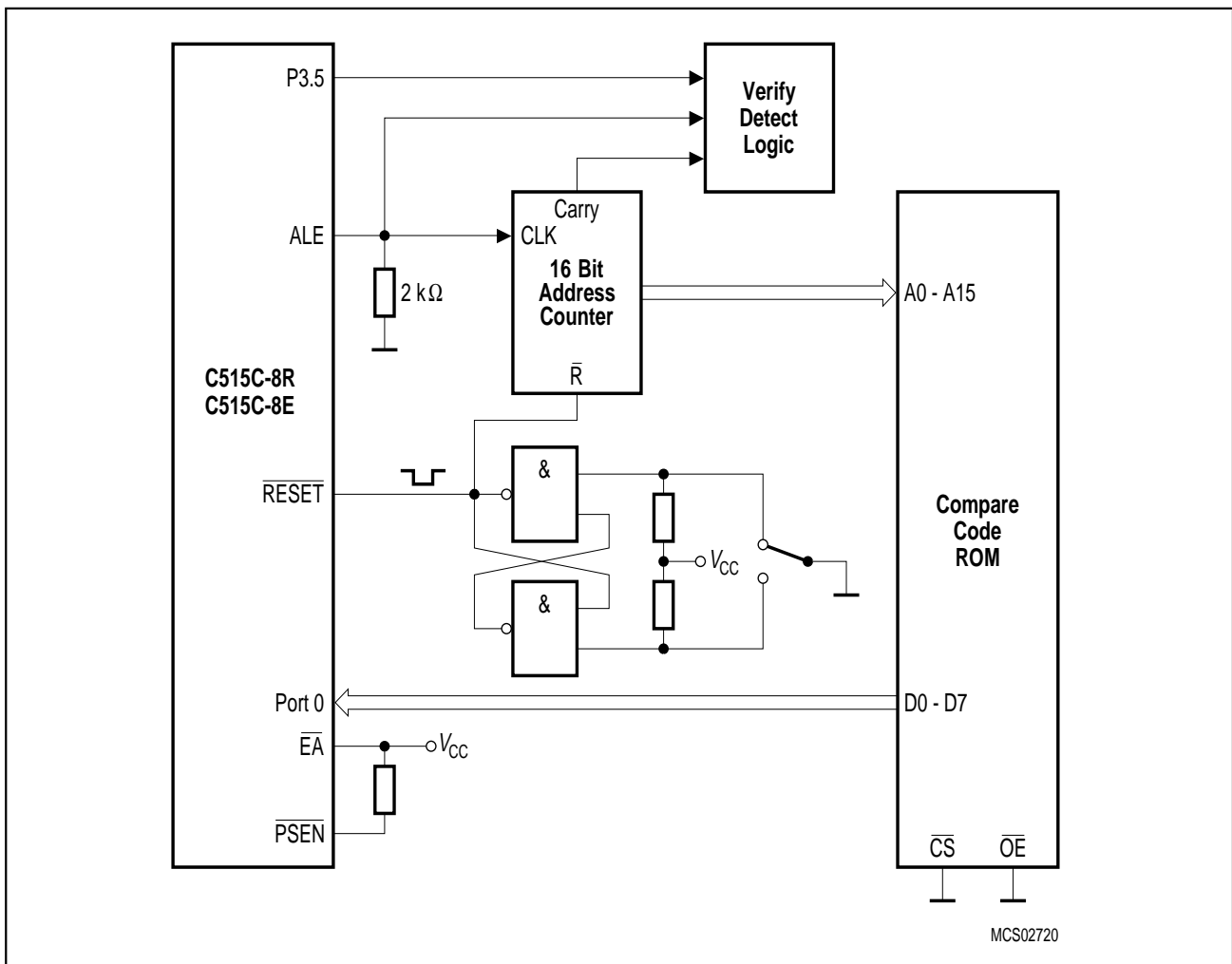


Figure 4-6
ROM Verification Mode 2 - External Circuitry Example

5 Reset and System Clock Operation

5.1 Hardware Reset Operation

The hardware reset function incorporated in the C515C allows for an easy automatic start-up at a minimum of additional hardware and forces the controller to a predefined default state. The hardware reset function can also be used during normal operation in order to restart the device. This is particularly done when the power-down mode is to be terminated.

Additionally to the hardware reset, which is applied externally to the C515C, there are two internal reset sources, the watchdog timer and the oscillator watchdog. The chapter at hand only deals with the external hardware reset.

The reset input is an active low input. An internal Schmitt trigger is used at the input for noise rejection. Since the reset is synchronized internally, the $\overline{\text{RESET}}$ pin must be held low for at least two machine cycle (12 oscillator periods) while the oscillator is running. With the oscillator running the internal reset is executed during the second machine cycle and is repeated every cycle until $\overline{\text{RESET}}$ goes high again.

During reset, pins ALE and $\overline{\text{PSEN}}$ are configured as inputs and should not be stimulated externally. An external stimulation at these lines during reset activates several test modes which are reserved for test purposes. This in turn may cause unpredictable output operations at several port pins.

A pullup resistor is internally connected to V_{CC} to allow a power-up reset with an external capacitor only. An automatic reset can be obtained when V_{CC} is applied by connecting the $\overline{\text{RESET}}$ pin to V_{SS} via a capacitor (**figure 5-1 a) and c)**). After V_{CC} has been turned on, the capacitor must hold the voltage level at the reset pin for a specific time to effect a complete reset.

The time required for a reset operation is the oscillator start-up time plus 2 machine cycles, which, under normal conditions, must be at least 10 - 20 ms for a crystal oscillator. This requirement is typically met using a capacitor of 4.7 to 10 μF . The same considerations apply if the reset signal is generated externally (**figure 5-1 b**). In each case it must be assured that the oscillator has started up properly and that at least two machine cycles have passed before the reset signal goes inactive.

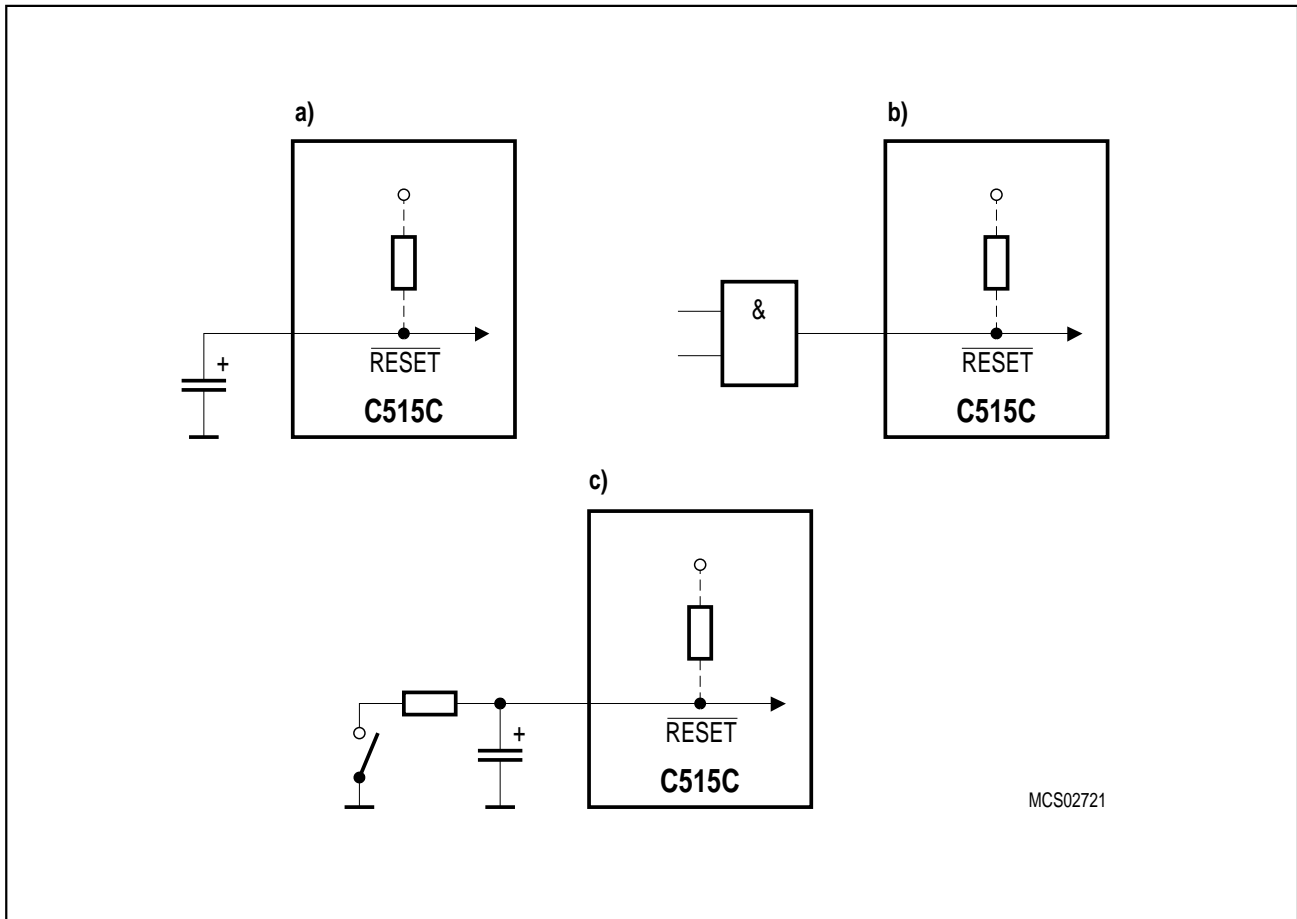


Figure 5-1
Reset Circuitries

A correct reset leaves the processor in a defined state. The program execution starts at location 0000_{H} . After reset is internally accomplished the port latches are set to FF_{H} . This leaves port 0 floating, since it is an open drain port when not used as data/address bus. All other I/O port lines (ports 1 to 5 and 7) output a one (1). Port 6 is an input-only port. It has no internal latch and therefore the contents of the special function registers P6 depend on the levels applied to port 6.

The content of the internal RAM and XRAM of the C515C is not affected by a reset. After power-up the content is undefined, while it remains unchanged during a reset if the power supply is not turned off.

5.2 Hardware Reset Timing

This section describes the timing of the hardware reset signal.

The input pin $\overline{\text{RESET}}$ is sampled once during each machine cycle. This happens in state 5 phase 2. Thus, the external reset signal is synchronized to the internal CPU timing. When the reset is found active (low level) the internal reset procedure is started. It needs two machine cycles to put the complete device to its correct reset state, i.e. all special function registers contain their default values, the port latches contain 1's etc. Note that this reset procedure is also performed if there is no clock available at the device. This is done by the oscillator watchdog, which provides an auxiliary clock for performing a perfect reset without clock at the XTAL1 and XTAL2 pins. The $\overline{\text{RESET}}$ signal must be active for at least one machine cycle. After this time the C515C remains in its reset state as long as the signal is active. When the reset signal goes inactive this transition is recognized in the following state 5 phase 2 of the machine cycle. Then the processor starts its address output (when configured for external ROM) in the following state 5 phase 1. One phase later (state 5 phase 2) the first falling edge at pin ALE occurs.

Figure 5-2 shows this timing for a configuration with $\overline{\text{EA}} = 0$ (external program memory). Thus, between the release of the $\overline{\text{RESET}}$ signal and the first falling edge at ALE there is a time period of at least one machine cycle but less than two machine cycles.

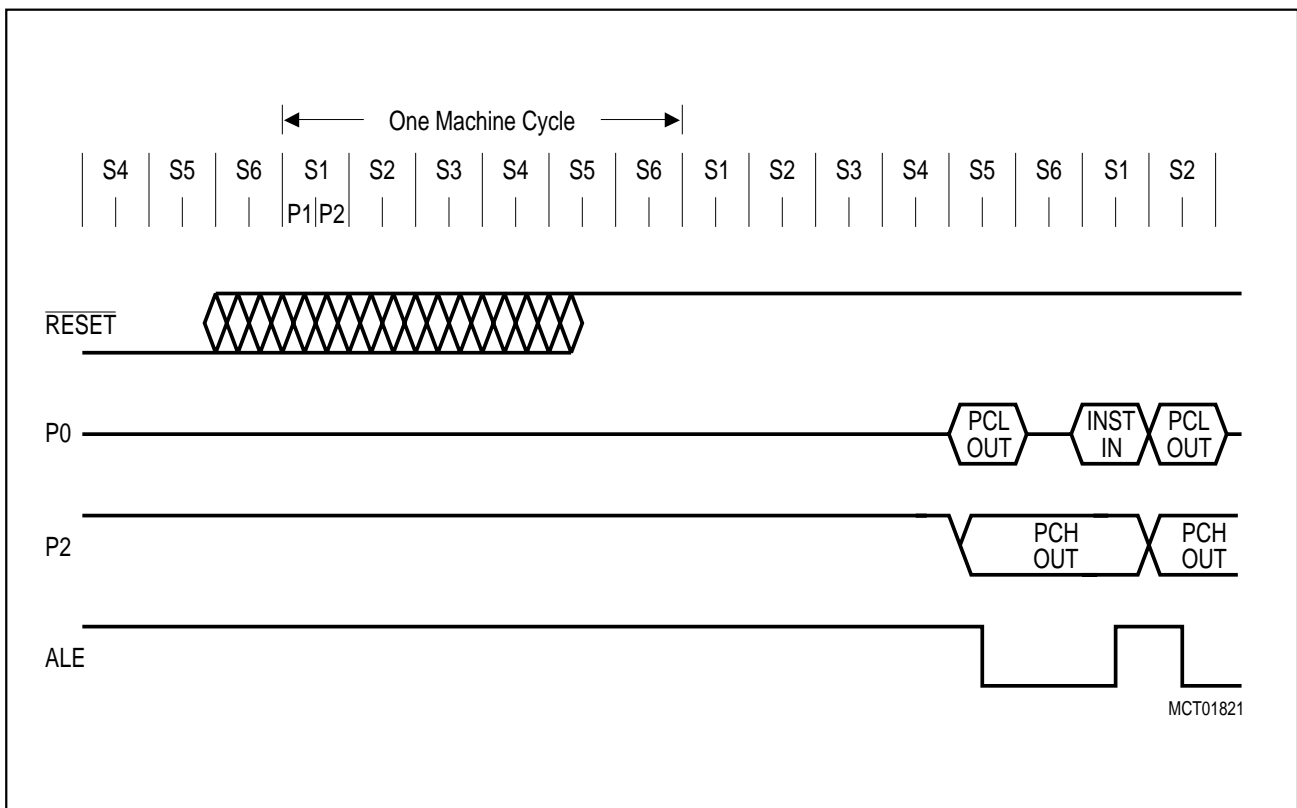


Figure 5-2
CPU Timing after Reset

5.3 Fast Internal Reset after Power-On

The C515C uses the oscillator watchdog unit (see also chapter 8) for a fast internal reset procedure after power-on. **Figure 5-3** shows the power-on sequence under control of the oscillator watchdog.

Normally the devices of the 8051 family enter their default reset state not before the on-chip oscillator starts. The reason is that the external reset signal must be internally synchronized and processed in order to bring the device into the correct reset state. Especially if a crystal is used the start up time of the oscillator is relatively long (max. 10 ms). During this time period the pins have an undefined state which could have severe effects especially to actuators connected to port pins.

In the C515C the oscillator watchdog unit avoids this situation. In this case, after power-on the oscillator watchdog's RC oscillator starts working within a very short start-up time (typ. less than 2 microseconds). In the following the watchdog circuitry detects a failure condition for the on-chip oscillator because this has not yet started (a failure is always recognized if the watchdog's RC oscillator runs faster than the on-chip oscillator). As long as this condition is detected the watchdog uses the RC oscillator output as clock source for the chip rather than the on-chip oscillator's output. This allows correct resetting of the part and brings also all ports to the defined state (see **figure 5-3**).

Under worst case conditions (fast V_{CC} rise time - e.g. 1 μ s, measured from $V_{CC} = 4.25$ V up to stable port condition), the delay between power-on and the correct port reset state is :

- Typ.: 18 μ s
- Max.: 34 μ s

The RC oscillator will already run at a V_{CC} below 4.25 V (lower specification limit). Therefore, at slower V_{CC} rise times the delay time will be less than the two values given above.

After the on-chip oscillator finally has started, the oscillator watchdog detects the correct function; then the watchdog still holds the reset active for a time period of max. 768 cycles of the RC oscillator clock in order to allow the oscillation of the on-chip oscillator to stabilize (**figure 5-3, II**). Subsequently, the clock is supplied by the on-chip oscillator and the oscillator watchdog's reset request is released (**figure 5-3, III**). However, an externally applied reset still remains active (**figure 5-3, IV**) and the device does not start program execution (**figure 5-3, V**) before the external reset is also released.

Although the oscillator watchdog provides a fast internal reset it is additionally necessary to apply the external reset signal when powering up. The reasons are as follows:

- Termination of Hardware Power-Down Mode (a $\overline{\text{HWPD}}$ signal is overridden by reset)
- Termination of the Software Power Down Mode
- Reset of the status flag OWDS that is set by the oscillator watchdog during the power up sequence.

Using a crystal for clock generation, the external reset signal must be hold active at least until the on-chip oscillator has started (max.10 ms) and the internal watchdog reset phase is completed (after phase III in **figure 5-3**). When an external clock generator is used, phase II is very short. Therefore, an external reset time of typically 1 ms is sufficient in most applications.

Generally, for reset time generation at power-on an external capacitor can be applied to the $\overline{\text{RESET}}$ pin.

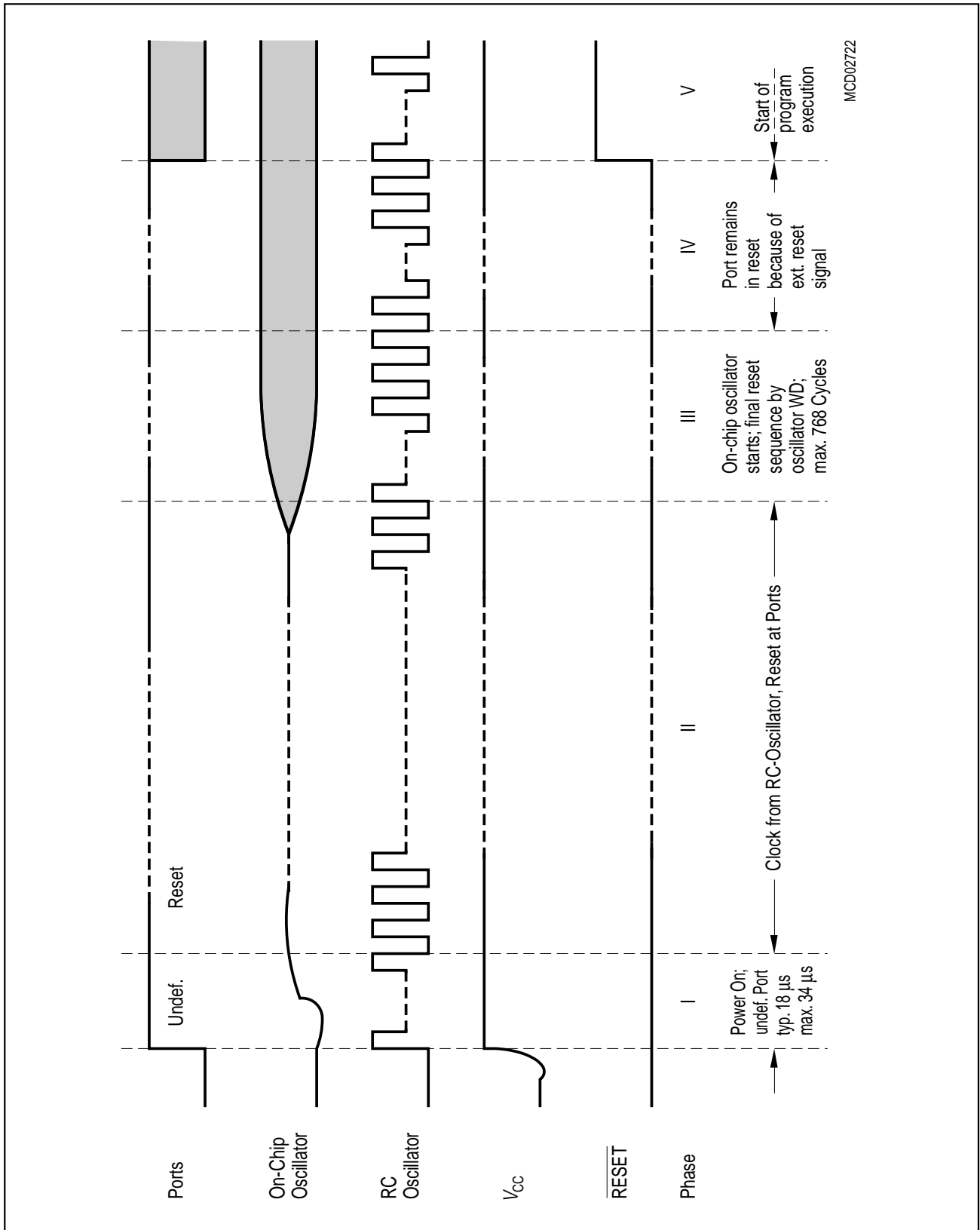


Figure 5-3
Power-On Reset of the C515C

5.4 Oscillator and Clock Circuit

XTAL1 and XTAL2 are the output and input of a single-stage on-chip inverter which can be configured with off-chip components as a Pierce oscillator. The oscillator, in any case, drives the internal clock generator. The clock generator provides the internal clock signals to the chip. These signals define the internal phases, states and machine cycles.

Figure 5-4 shows the recommended oscillator circuit.

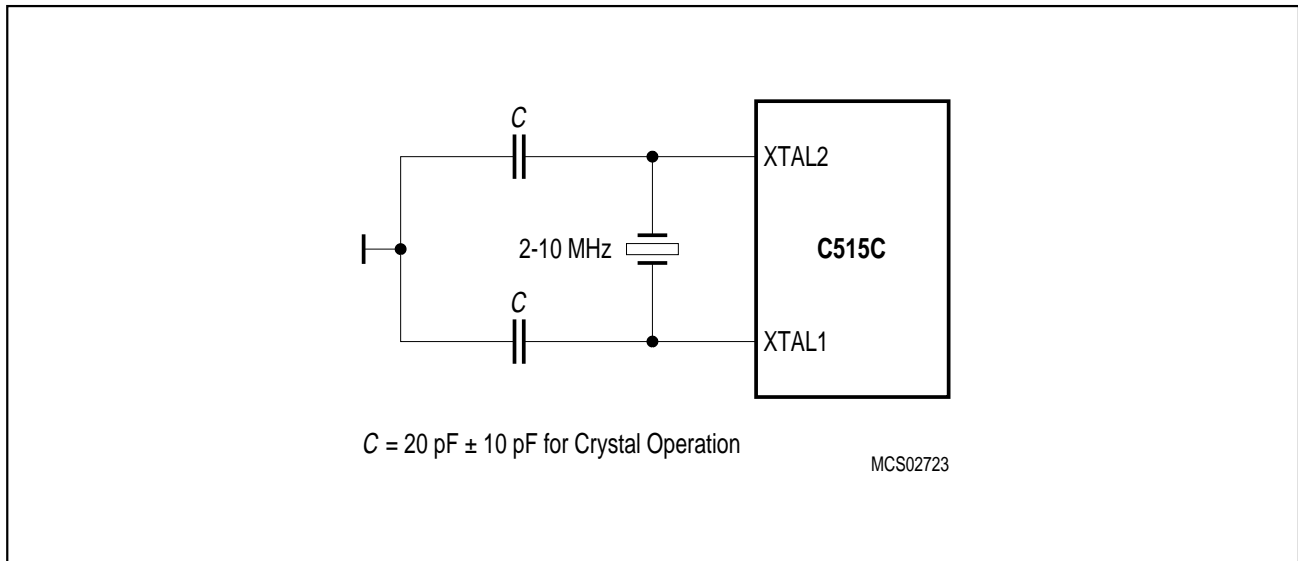


Figure 5-4
Recommended Oscillator Circuit

In this application the on-chip oscillator is used as a crystal-controlled, positive-reactance oscillator (a more detailed schematic is given in **figure 5-5**). It is operated in its fundamental response mode as an inductive reactor in parallel resonance with a capacitor external to the chip. The crystal specifications and capacitances are non-critical. In this circuit 20 pF can be used as single capacitance at any frequency together with a good quality crystal. A ceramic resonator can be used in place of the crystal in cost-critical applications. If a ceramic resonator is used, C_1 and C_2 are normally selected to be of somewhat higher values, typically 47 pF. We recommend consulting the manufacturer of the ceramic resonator for value specifications of these capacitors.

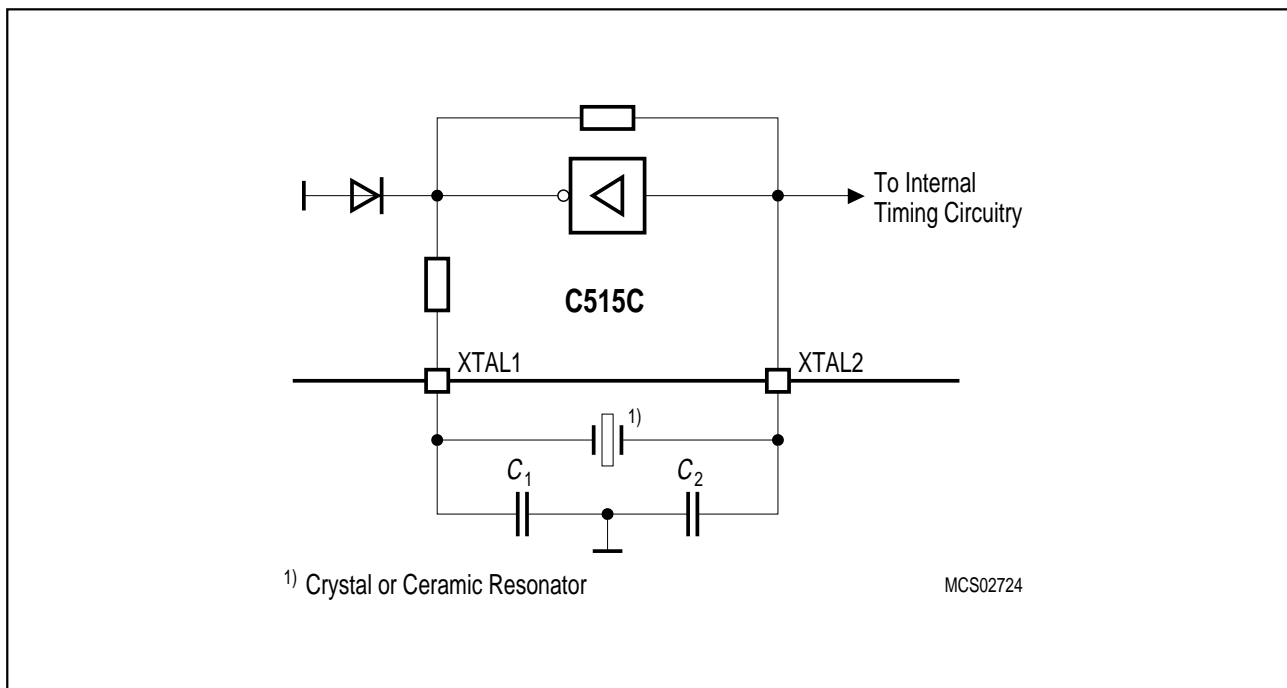


Figure 5-5
On-Chip Oscillator Circuitry

To drive the C515C with an external clock source, the external clock signal has to be applied to XTAL2, as shown in **figure 5-6**. XTAL1 has to be left unconnected. A pullup resistor is suggested (to increase the noise margin), but is optional if V_{OH} of the driving gate corresponds to the V_{IH2} specification of XTAL2.

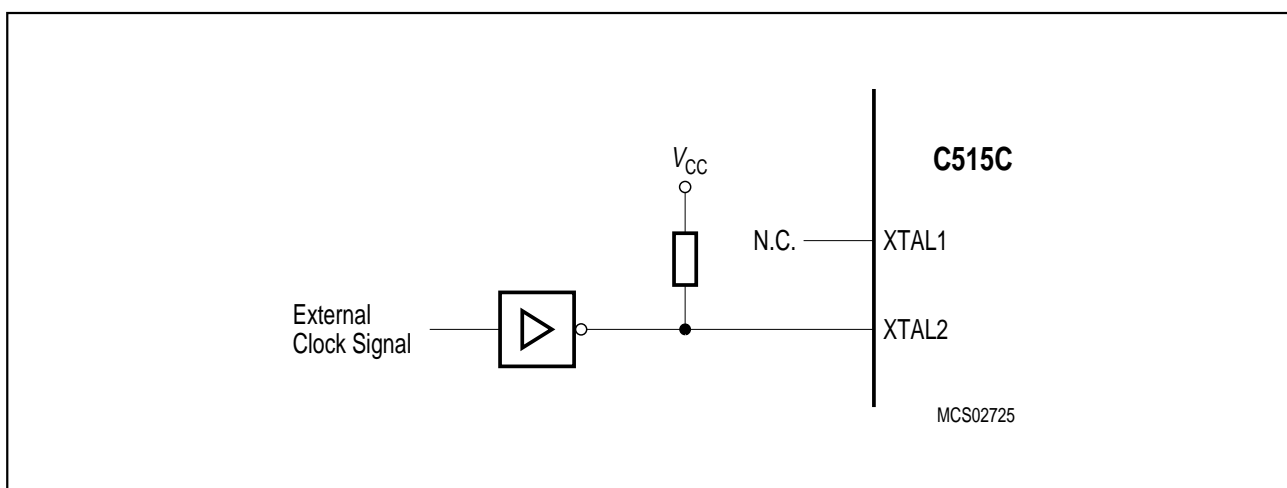


Figure 5-6
External Clock Source

5.5 System Clock Output

For peripheral devices requiring a system clock, the C515C provides a clock output signal derived from the oscillator frequency as an alternate output function on pin P1.6/CLKOUT. If bit CLK is set (bit 6 of special function register ADCON0), a clock signal with 1/6 of the oscillator frequency is gated to pin P1.6/CLKOUT. To use this function the port pin must be programmed to a one (1), which is also the default after reset.

Special Function Register ADCON0 (Address D8_H)

Reset Value : 00_H

	MSB						LSB		
Bit No.	DF _H	DE _H	DD _H	DC _H	DB _H	DA _H	D9 _H	D8 _H	
D8 _H	BD	CLK	ADEX	BSY	ADM	MX2	MX1	MX0	ADCON0

The shaded bits are not used in controlling the clock output function.

Bit	Function
CLK	Clockout enable bit When set, pin P1.6/CLKOUT outputs the system clock which is 1/6 of the oscillator frequency.

The system clock is high during S3P1 and S3P2 of every machine cycle and low during all other states. Thus, the duty cycle of the clock signal is 1:6. Associated with a MOVX instruction the system clock coincides with the last state (S3) in which a \overline{RD} or \overline{WR} signal is active. A timing diagram of the system clock output is shown in **figure 5-7**.

Note : During slow-down operation the frequency of the CLKOUT signal is divided by 32.

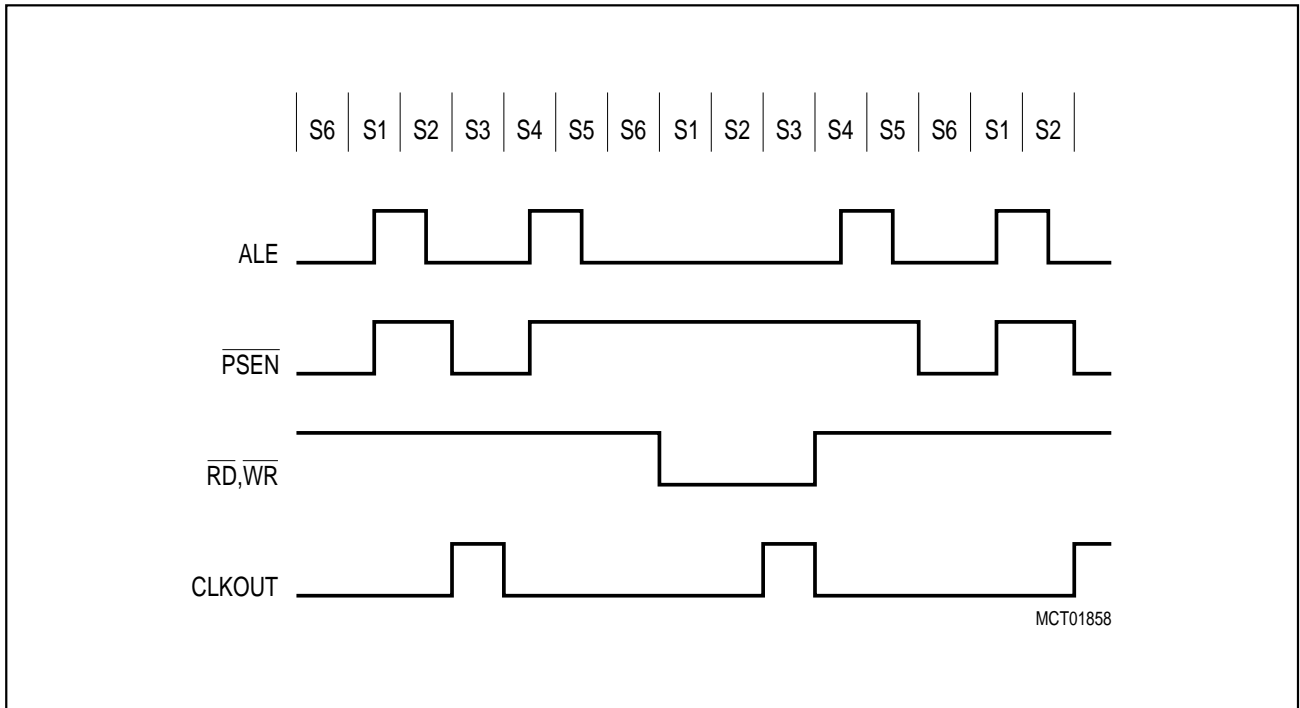


Figure 5-7
Timing Diagram - System Clock Output

6 On-Chip Peripheral Components

This chapter gives detailed information about all on-chip peripherals of the C515C except for the integrated interrupt controller, which is described separately in chapter 7.

6.1 Parallel I/O

6.1.1 Port Structures

Digital I/O Ports

The C515C allows for digital I/O on 49 lines grouped into 6 bidirectional 8-bit ports and one 1-bit port. Each port bit consists of a latch, an output driver and an input buffer. Read and write accesses to the I/O ports P0 through P7 are performed via their corresponding special function registers P0 to P7. The port structure of port 5 of the C515C is especially designed to operate either as a quasi-bidirectional port structure, compatible to the standard 8051-Family, or as a genuine bidirectional port structure. This port operating mode can be selected by software (setting or clearing the bit PMOD in the SFR SYSCON).

The output drivers of port 0 and 2 and the input buffers of port 0 are also used for accessing external memory. In this application, port 0 outputs the low byte of the external memory address, time-multiplexed with the byte being written or read. Port 2 outputs the high byte of the external memory address when the address is 16 bits wide. Otherwise, the port 2 pins continue emitting the P2 SFR contents.

Analog Input Ports

Port 6 is available as input port only and provides two functions. When used as digital inputs, the corresponding SFR P6 contains the digital value applied to the port 6 lines. When used for analog inputs the desired analog channel is selected by a three-bit field in SFR ADCON0 or SFR ADCON1. Of course, it makes no sense to output a value to these input-only ports by writing to the SFR P6. This will have no effect.

If a digital value is to be read, the voltage levels are to be held within the input voltage specifications (V_{IL}/V_{IH}). Since P6 is not bit-addressable, all input lines of P6 are read at the same time by byte instructions.

Nevertheless, it is possible to use port 6 simultaneously for analog and digital input. However, care must be taken that all bits of P6 that have an undetermined value caused by their analog function are masked.

In order to guarantee a high-quality A/D conversion, digital input lines of port 6 should not toggle while a neighbouring port pin is executing an A/D conversion. This could produce crosstalk to the analog signal.

Figure 6-1 shows a functional diagram of a typical bit latch and I/O buffer, which is the core of each of the 7 digital I/O-ports. The bit latch (one bit in the port's SFR) is represented as a type-D flip-flop, which will clock in a value from the internal bus in response to a "write-to-latch" signal from the CPU. The Q output of the flip-flop is placed on the internal bus in response to a "read-latch" signal from the CPU. The level of the port pin self is placed on the internal bus in response to a "read-pin" signal from the CPU. Some instructions that read from a port activate the "read-port-latch" signal, while others activate the "read-port-pin" signal.

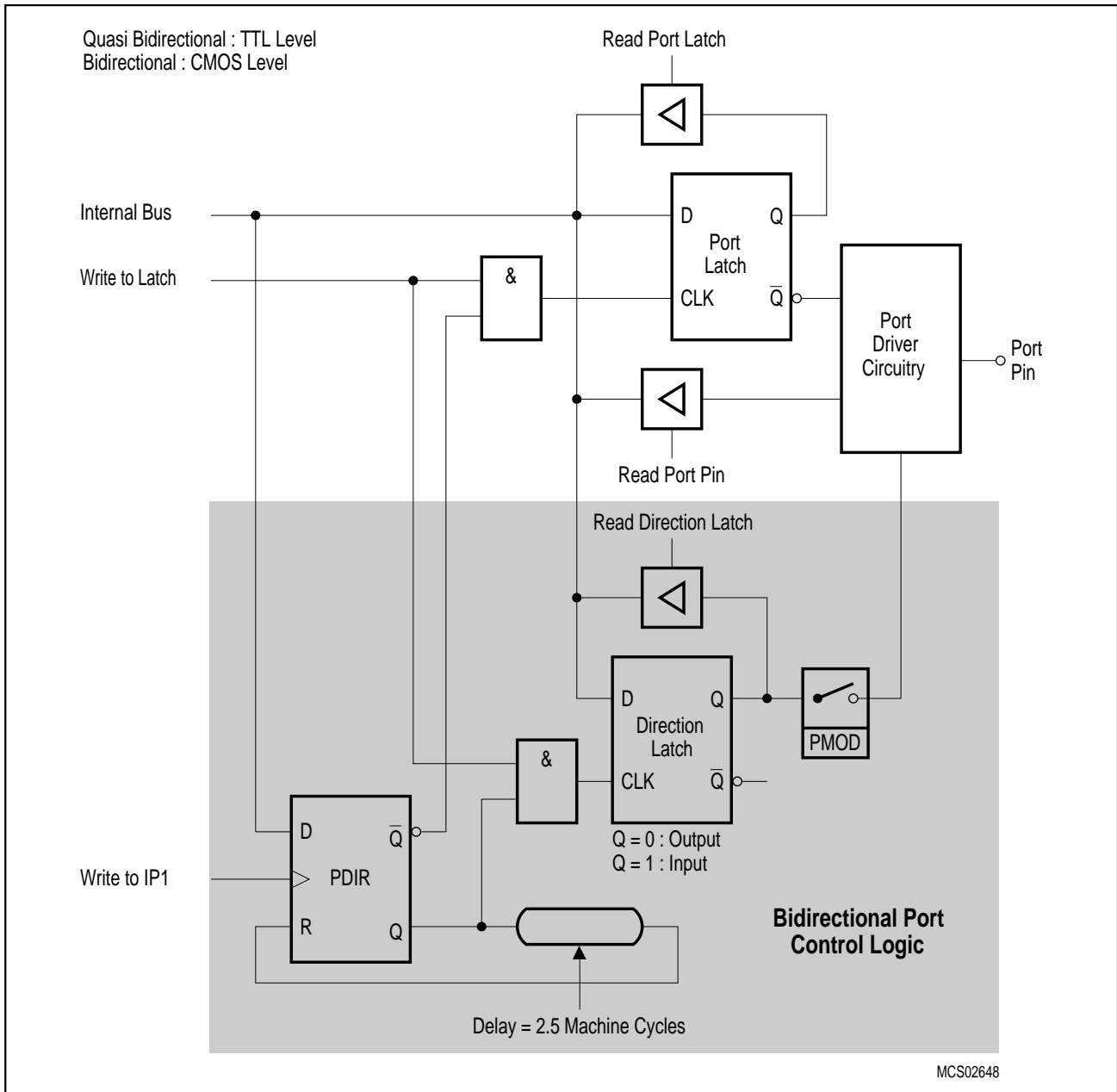


Figure 6-1
Basic Structure of a Port Circuitry

The shaded area in figure 6-1 shows the control logic of the C515C port 5 circuitry, which has been added to the functionality of the standard 8051 digital I/O port structure. This control logic is used to provide the additional bidirectional port 5 structure with CMOS voltage levels.

6.1.1.1 Port Structure Selection

After a reset operation, the quasi-bidirectional 8051-compatible port structure is selected for all digital I/O ports of the C515C. For selection of the bidirectional (CMOS) port 5 structure the bit PMOD of SFR SYSCON must be set. Because each port 5 pin can be programmed as an input or an output, additionally, after the selection of the bidirectional mode, the direction register DIR5 of port 5 must be written. This direction register is mapped to the port 5 register. This means, the port register address is equal to its direction register address. **Figure 6-2** illustrates the port- and direction register configuration of port 5.

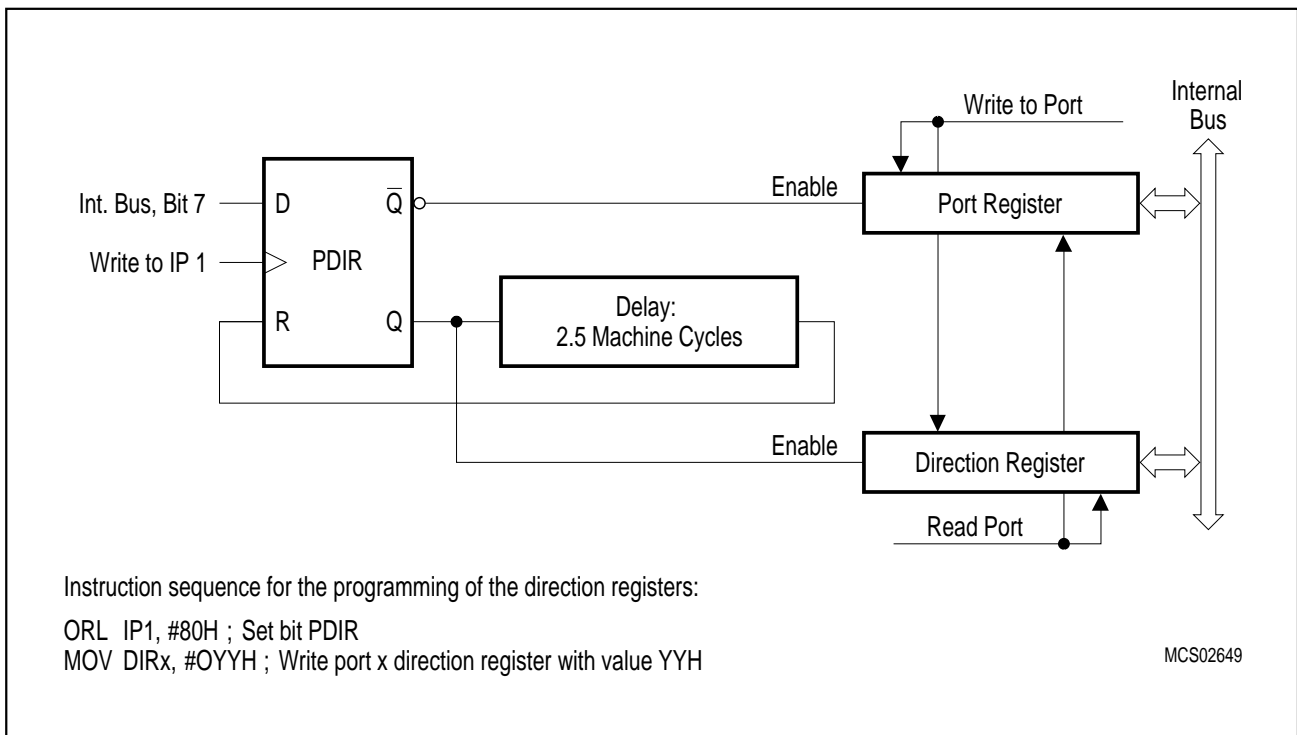


Figure 6-2
Port 5 Register, Direction Register

For the access the direction register a double instruction sequence must be executed. The first instruction has to set bit PDIR in SFR IP1. Thereafter, a second instruction can read or write the direction registers. PDIR will automatically be cleared after the second machine cycle (S2P2) after having been set. For this time, the access to the direction register is enabled and the register can be read or written. Further, the double instruction sequence as shown in **figure 6-2**, cannot be interrupted by an interrupt,

When the bidirectional port structure is activated (PMOD=1) after a reset, the ports are defined as inputs (direction registers default values after reset are set to FF_H).

With PMOD = 0 (quasi-bidirectional port structure selected), any access to the direction registers has no effect on the port driver circuitries.

Special Function Register SYSCON (Address B1_H)

Reset Value C515C-8R : X010XX01_B

Reset Value C515C-8E : X010X001_B

Special Function Register IP1 (Address B9_H)

Reset Value : 0X000000_B

	MSB				LSB				
Bit No.	7	6	5	4	3	2	1	0	
B1 _H	–	PMOD	EALE	RMAP	–	CSWO	XMAP1	XMAP0	SYSCON
Bit No.	7	6	5	4	3	2	1	0	
B9 _H	PDIR	–	.5	.4	.3	.2	.1	.0	IP1

The shaded bits are not used for port selection.

Bit	Function
PMOD	Port 5 mode selection PMOD = 0 : Quasi-bidirectional port structure of port 5 is selected (reset value) PMOD = 1 : Bidirectional port structure of port 5 is selected.
PDIR	Direction register enable PDIR = 0 : Port 5 register access is enabled (reset value) PDIR = 1 : Direction register is enabled. PDIR will automatically be cleared after the second machine cycle (S2P2) after having been set.

Direction Register DIR5 (Address F8_H)

Reset Value : FF_H

	MSB				LSB				
Bit No.	7	6	5	4	3	2	1	0	
F8 _H	.7	.6	.5	.4	.3	.2	.1	.0	DIR5

Bit	Function
DIR5.7-0	Port driver circuitry, input/output selection Bit = 0 : Port line is in output mode Bit = 1 : Port line is in input mode (reset value). This register can only be read and written by software when bit PDIR (IP1) was set one instruction before.

6.1.1.2 Quasi-Bidirectional Port Structure

6.1.1.2.1 Basic Port Circuitry of Port 1 to 5 and 7

The basic quasi-bidirectional port structure as shown in the upper part of the schematics of **figure 6-3** provides a port driver circuit which is build up by an internal pullup FET as shown in **figure 6-3**. Each I/O line can be used independently as an input or output. To be used as an input, the port bit stored in the bit latch must contain a one (1) (that means for **figure 6-3**, $\bar{Q}=0$), which turns off the output driver FET n1. Then, for ports 1 to 5 and 7, the pin is pulled high by the internal pullups, but can be pulled low by an external source. When externally pulled low the port pins source current (I_{IL} or I_{TL}). For this reason these ports are sometimes called "quasi-bidirectional".

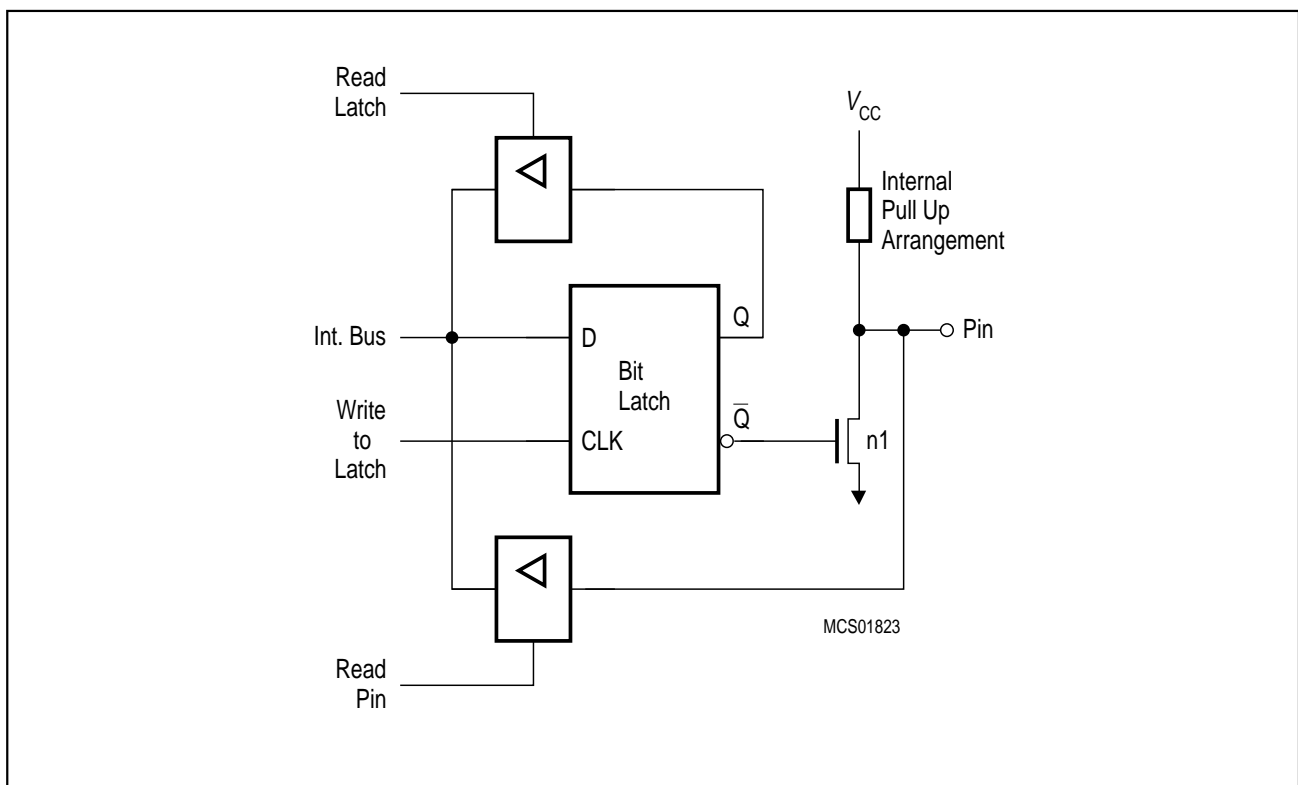


Figure 6-3
Basic Output Driver Circuit of Ports 1 to 5 and 7

In fact, the pullups mentioned before and included in **figure 6-3** are pullup arrangements as shown in **figure 6-4**. One n-channel pulldown FET and three pullup FETs are used:

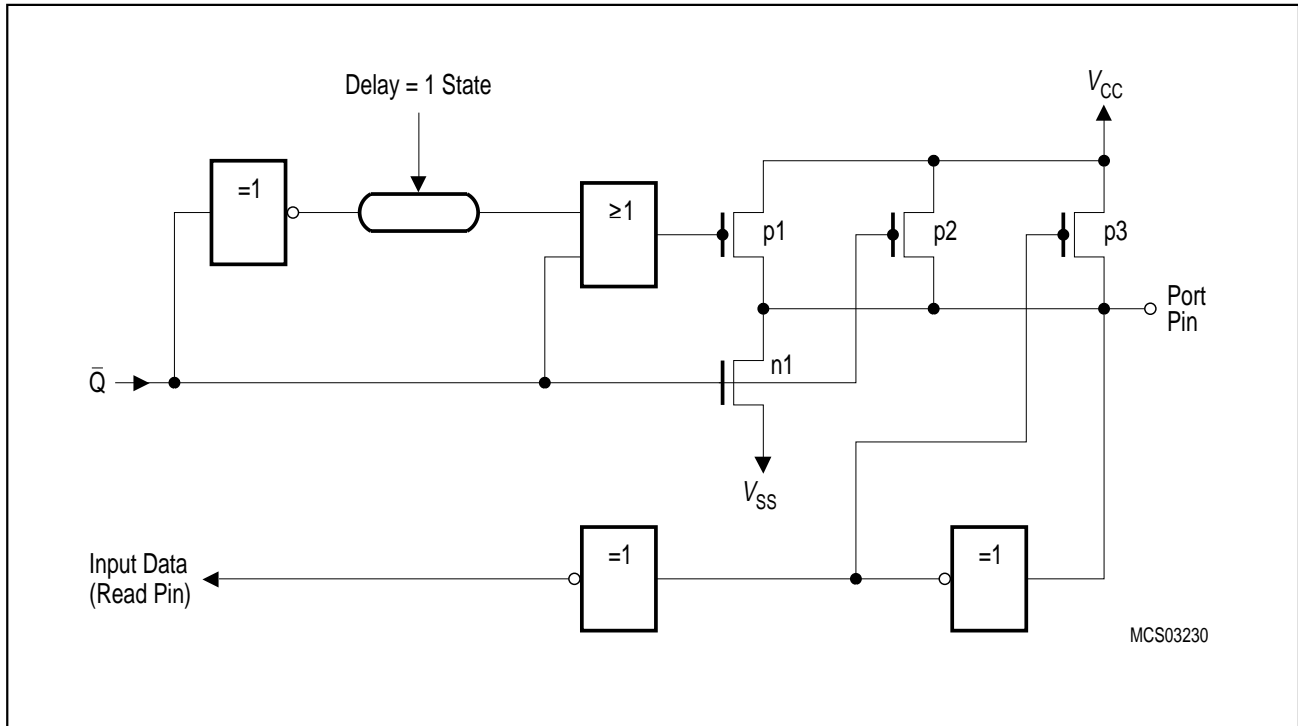


Figure 6-4
Output Driver Circuit of Ports 1 to 5 and 7

- The **pull-down FET n1** is of n-channel type. It is a very strong driver transistor which is capable of sinking high currents (I_{OL}); it is only activated if a "0" is programmed to the port pin. A short circuit to V_{CC} must be avoided if the transistor is turned on, since the high current might destroy the FET. This also means that no "0" must be programmed into the latch of a pin that is used as input.
- The **pullup FET p1** is of p-channel type. It is activated for one state (S1) if a 0-to-1 transition is programmed to the port pin, i.e. a "1" is programmed to the port latch which contained a "0". The extra pullup can drive a similar current as the pulldown FET n1. This provides a fast transition of the logic levels at the pin.
- The **pullup FET p2** is of p-channel type. It is always activated when a "1" is in the port latch, thus providing the logic high output level. This pullup FET sources a much lower current than p1; therefore the pin may also be tied to ground, e.g. when used as input with logic low input level.
- The **pullup FET p3** is of p-channel type. It is only activated if the voltage at the port pin is higher than approximately 1.0 to 1.5 V. This provides an additional pullup current if a logic high level shall be output at the pin (and the voltage is not forced lower than approximately 1.0 to 1.5 V). However, this transistor is turned off if the pin is driven to a logic low level, e.g. when used as input. In this configuration only the weak pullup FET p2 is active, which sources the current I_{IL} . If, in addition, the pullup FET p3 is activated, a higher current can be sourced (I_{TL}). Thus, an additional power consumption can be avoided if port pins are used as inputs with a low level applied. However, the driving capability is stronger if a logic high level is output.

The described activating and deactivating of the four different transistors results in four states which can be :

- input low state (IL), p2 active only
- input high state (IH) = steady output high state (SOH), p2 and p3 active
- forced output high state (FOH), p1, p2 and p3 active
- output low state (OL), n1 active

If a pin is used as input and a low level is applied, it will be in IL state, if a high level is applied, it will switch to IH state. If the latch is loaded with "0", the pin will be in OL state. If the latch holds a "0" and is loaded with "1", the pin will enter FOH state for two cycles and then switch to SOH state. If the latch holds a "1" and is reloaded with a "1" no state change will occur.

At the beginning of power-on reset the pins will be in IL state (latch is set to "1", voltage level on pin is below of the trip point of p3). Depending on the voltage level and load applied to the pin, it will remain in this state or will switch to IH (=SOH) state.

If it is used as output, the weak pull-up p2 will pull the voltage level at the pin above p3's trip point after some time and p3 will turn on and provide a strong "1". Note, however, that if the load exceeds the drive capability of p2 (I_{IL}), the pin might remain in the IL state and provide a weak "1" until the first 0-to-1 transition on the latch occurs. Until this the output level might stay below the trip point of the external circuitry.

The same is true if a pin is used as bidirectional line and the external circuitry is switched from output to input when the pin is held at "0" and the load then exceeds the p2 drive capabilities.

If the load exceeds I_{IL} the pin can be forced to "1" by writing a "0" followed by a "1" to the port pin..

Note : The port 4 pins P4.1 to P4.4 are used by the SSC interface as alternate functions pins. The detailed port structure of these four port 4 pins is described in section 6.1.1.2.4

6.1.1.2.2 Port 0 Circuitry

Port 0, in contrast to ports 1 to 5 and 7, is considered as "true" bidirectional, because the port 0 pins float when configured as inputs. Thus, this port differs in not having internal pullups. The pullup FET in the P0 output driver (see **figure 6-5**) is used only when the port is emitting 1s during the external memory accesses. Otherwise, the pullup is always off. Consequently, P0 lines that are used as output port lines are open drain lines. Writing a "1" to the port latch leaves both output FETs off and the pin floats. In that condition it can be used as high-impedance input. If port 0 is configured as general I/O port and has to emit logic high-level (1), external pullups are required.

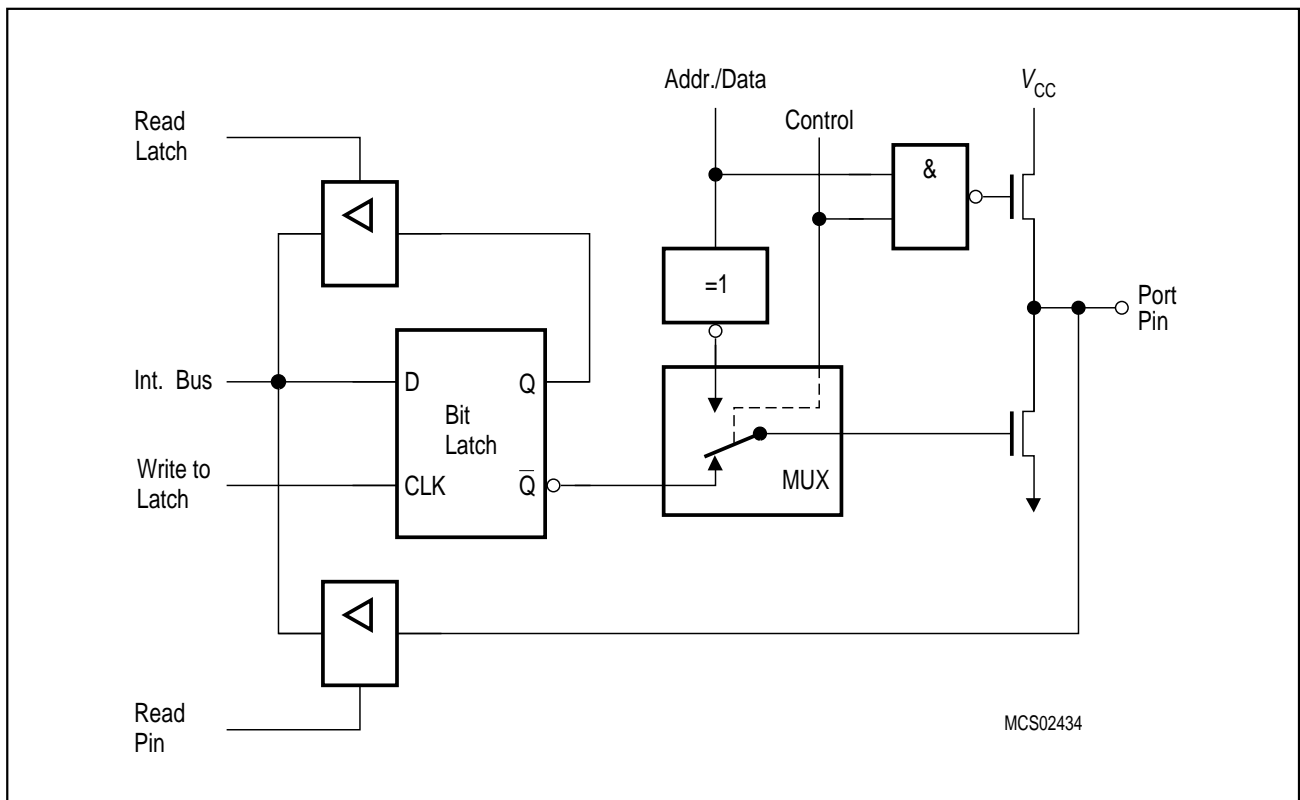


Figure 6-5
Port 0 Circuitry

6.1.1.2.3 Port 0 and Port 2 used as Address/Data Bus

As shown in **figure 6-5** and below in **figure 6-6**, the output drivers of ports 0 and 2 can be switched to an internal address or address/data bus for use in external memory accesses. In this application they cannot be used as general purpose I/O, even if not all address lines are used externally. The switching is done by an internal control signal dependent on the input level at the $\bar{E}A$ pin and/or the contents of the program counter. If the ports are configured as an address/data bus, the port latches are disconnected from the driver circuit. During this time, the P2 SFR remains unchanged while the P0 SFR has 1's written to it. Being an address/data bus, port 0 uses a pullup FET as shown in **figure 6-5**. When a 16-bit address is used, port 2 uses the additional strong pullups p1 to emit 1's for the entire external memory cycle instead of the weak ones (p2 and p3) used during normal port activity.

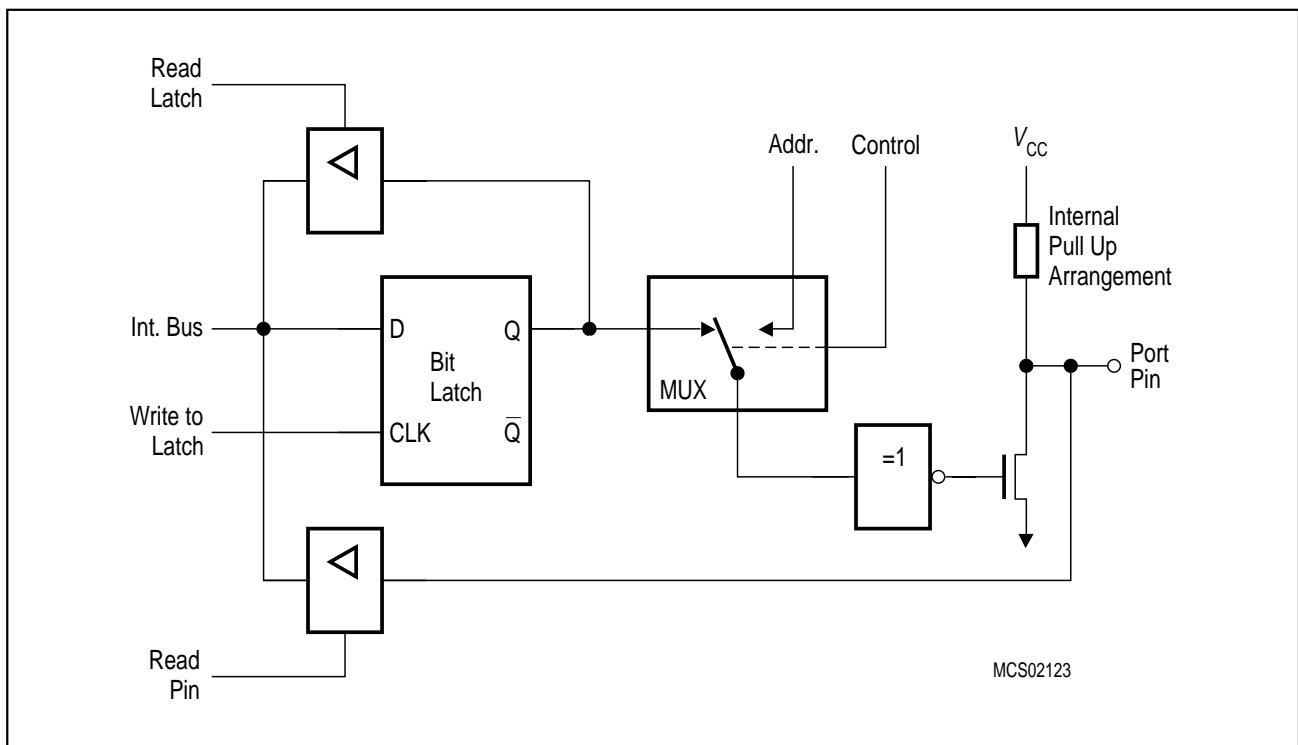


Figure 6-6
Port 2 Circuitry

6.1.1.2.4 SSC Port Pins of Port 4

The port pins of the SSC interface are located as alternate functions at four lines of port 4 :

- P4.1/SCLK : when used as SSC clock output, pin becomes a true push-pull output
- P4.2/SRI : when used as SSC receiver input, pin becomes an input without pullups.
- P4.3/STO : when used as SSC transmitter output, pin becomes a true push-pull output with tristate capability
- P4.4/ $\overline{\text{SLS}}$: when used as SSC slave select input, pin directly controls the tristate condition of P4.3

The modified port 4 structure for the two SSC outputs SCLK and STO is illustrated in **figure 6-7**. This figure can be compared with **figure 6-4**.

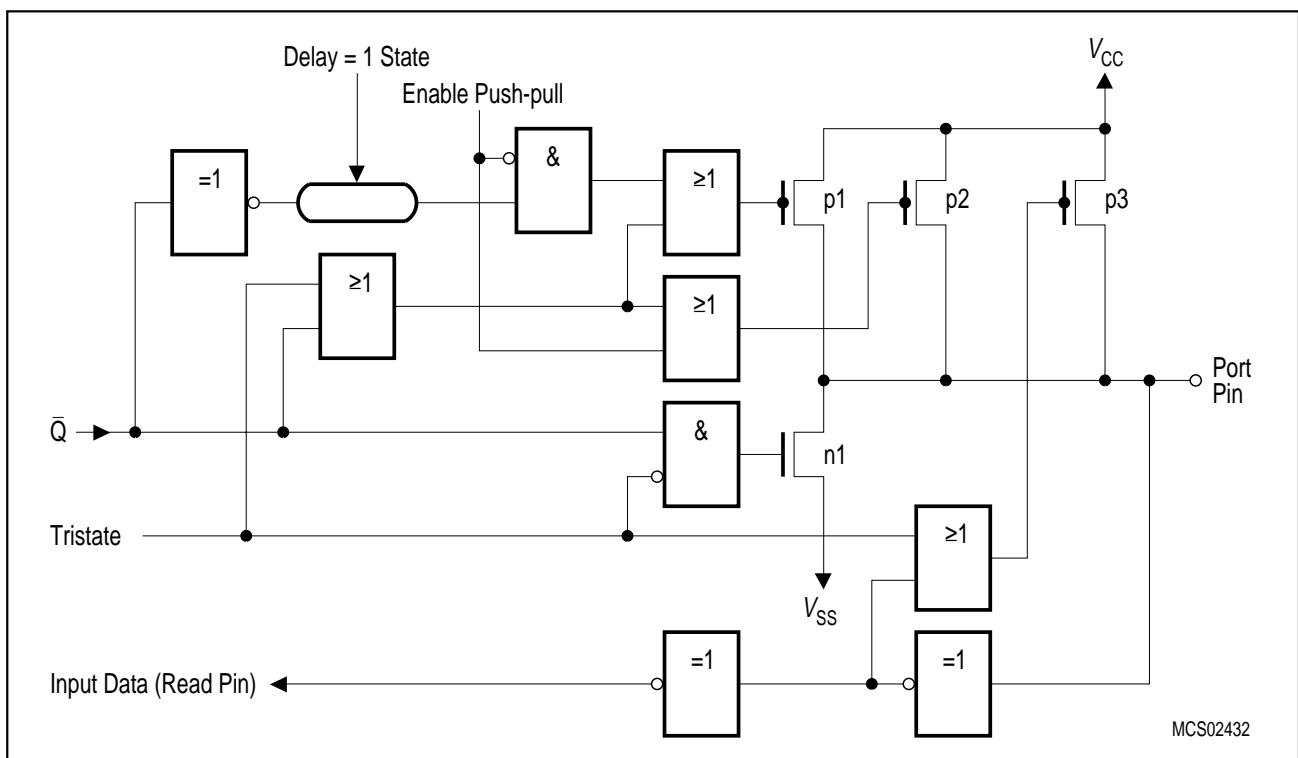


Figure 6-7
Driver Circuit of Port 4 Pins P4.1 and P4.3 (when used for SCLK and STO)

Pin Control for P4.1/SCLK

When the SSC is disabled, both control lines “Enable Push-pull” and “Tristate” will be inactive, the pin behaves like a standard IO pin. In master mode with SSC enabled, “Enable Push-pull” will be active and “Tristate” will be inactive. In slave mode with SSC enabled, “Enable Push-pull” will be inactive and “Tristate” will be active.

Pin Control for P4.3/STO

When the SSC is disabled, both control lines “Enable Push-pull” and “Tristate” will be inactive. In master mode with SSC enabled, “Enable Push-pull” will be active and “Tristate” will be inactive. In slave mode with SSC enabled, “Enable Push-pull” will be active. If the transmitter is enabled ($\overline{\text{SLS}}$ and TEN active), “Tristate” will be inactive. If the transmitter is disabled (either $\overline{\text{SLS}}$ or TEN inactive), “Tristate” will be active.

The modified port 4 structure for the two SSC inputs SRI and $\overline{\text{SLS}}$ is illustrated in **figure 6-8**. This figure can be compared with **figure 6-4**.

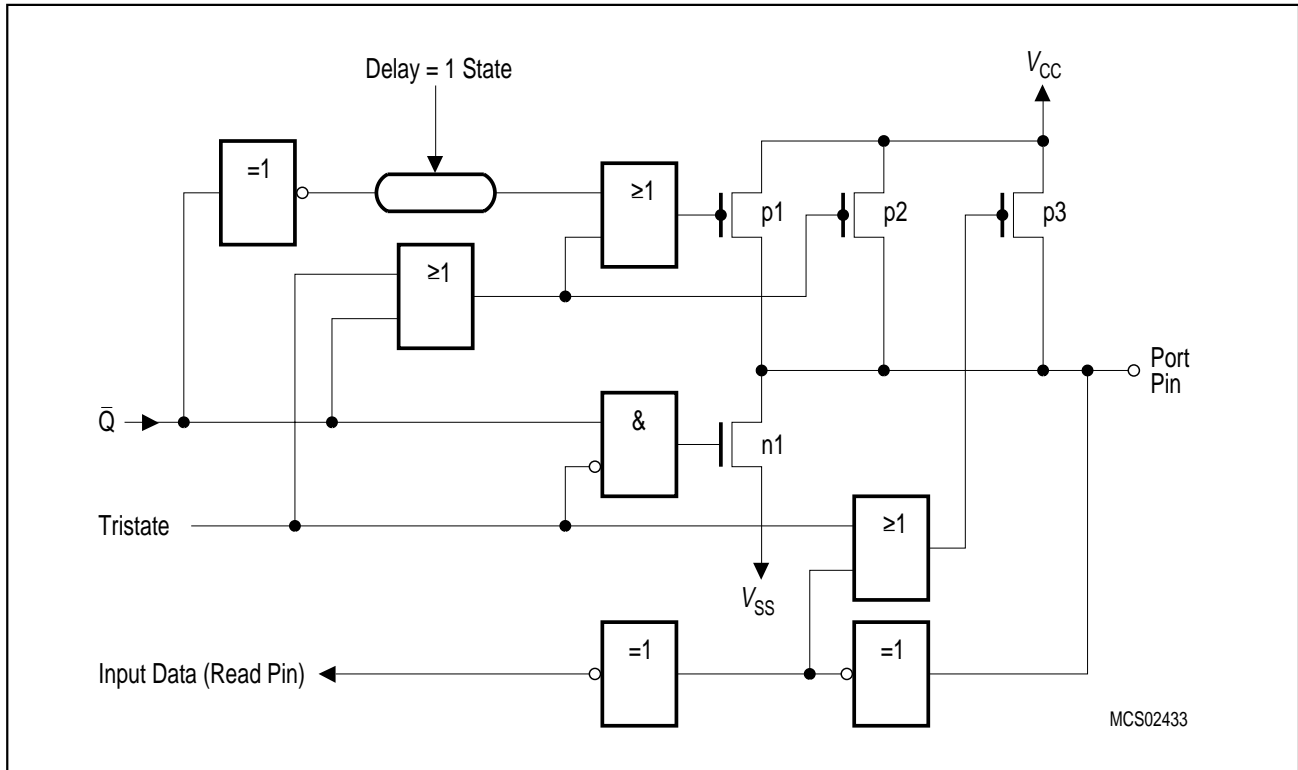


Figure 6-8
Driver Circuit of Port 4 pins P4.2 and P4.4 (when used for SRI and $\overline{\text{SLS}}$)

When enabling the SSC, the inputs used for the SSC will be switched into a high-impedance mode. For P4.2/SRI, control signal "Tristate" will be active when the SSC is enabled. For P4.4/ $\overline{\text{SLS}}$, control signal "Tristate" will be enabled, when the SSC is enabled and is switched into slave mode. In master mode, P4.4/ $\overline{\text{SLS}}$ will remain a regular I/O pin.

6.1.1.3 Bidirectional (CMOS) Port Structure of Port 5

Port 5 of the C515C provides a special port structure: This port is designed to operate either as a quasi-bidirectional port structure, compatible to the standard 8051-Family, or as a genuine bidirectional port structure with CMOS level driving capabilities. This bidirectional CMOS port operating mode can be selected by software by setting or clearing bit PMOD in SFR SYSCON (see chapter 6.1.1.1). After reset the quasi-bidirectional port structure is selected.

Based on the port structure of a port circuitry as shown in **figure 6-1**, the following sections describe the different operating modes (input mode, output mode, hardware power-down mode) of port 5.

6.1.1.3.1 Input Mode

Figure 6-9 shows the bidirectional port structure in the input mode.

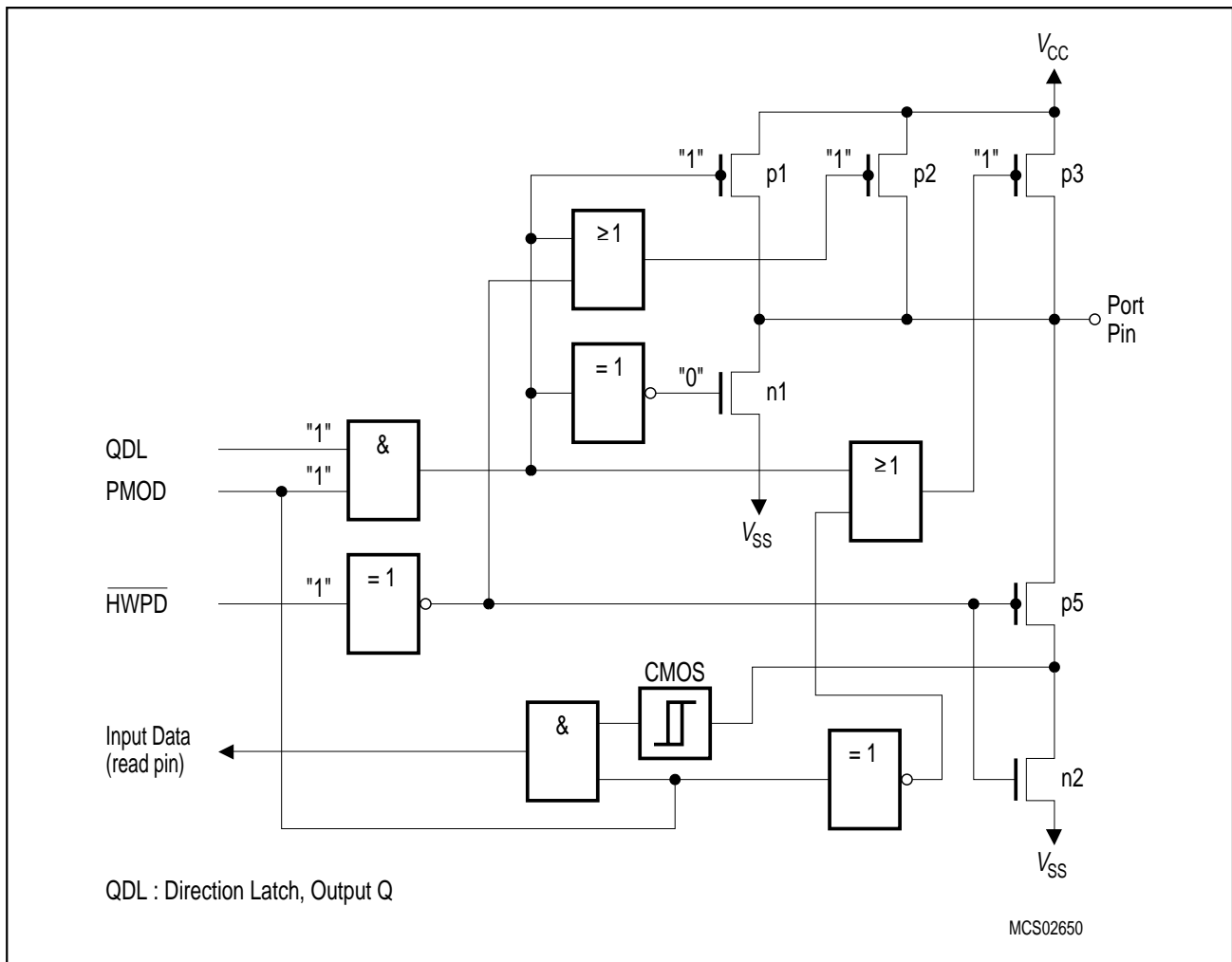


Figure 6-9
Bidirectional Port Structure - Input Mode

The input mode for a port 5 pin is selected by programming the corresponding direction bit to '1' (QDL='1'). The FETs p1, p2, p3 and n1 are switched off. Through a Schmitt-Trigger, designed to detect CMOS levels, the input signal is lead to the internal bus where it can be read by the microcontroller.

6.1.1.3.2 Output Mode

The output mode for a port 5 pin is selected by programming the corresponding direction bit to '0' (QDL='0'). The content of the port latch determines whether a '1' (QPL='0') or a '0' (QPL='1') is driven. **Figure 6-10** shows the port structure in the output mode driving a '1' while **figure 6-11** illustrates the port structure in the output mode driving a '0'.

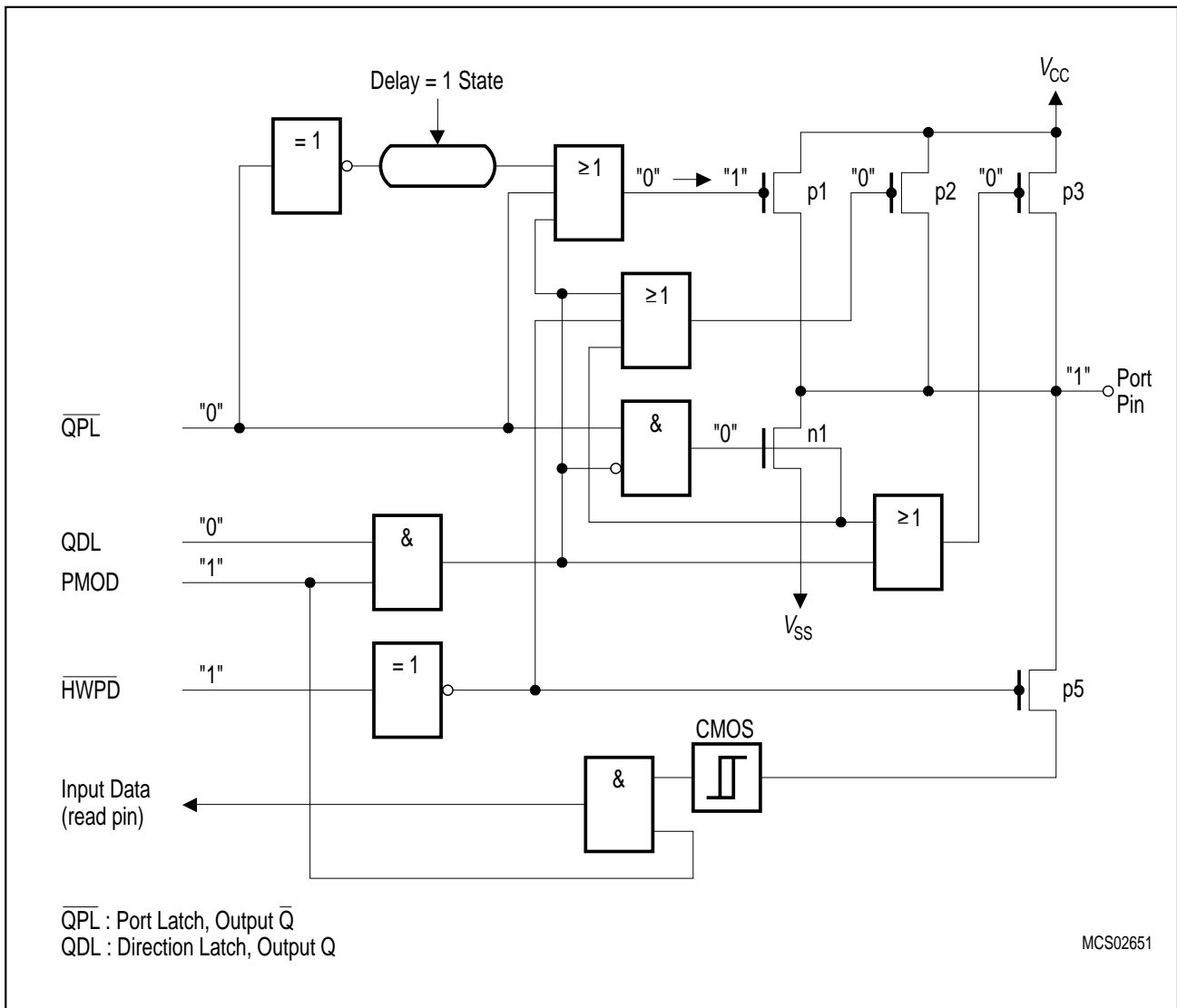


Figure 6-10
Bidirectional Port Structure - Output Mode - "1"

The FET n1 is switched off. FET p1 is activated for one state if a 0-to-1 transition is programmed to the port pin, i.e. a '1' is programmed to the port latch which contained a '0'. The FETs p2, p3 are both active and are driving the '1' at the port pin.

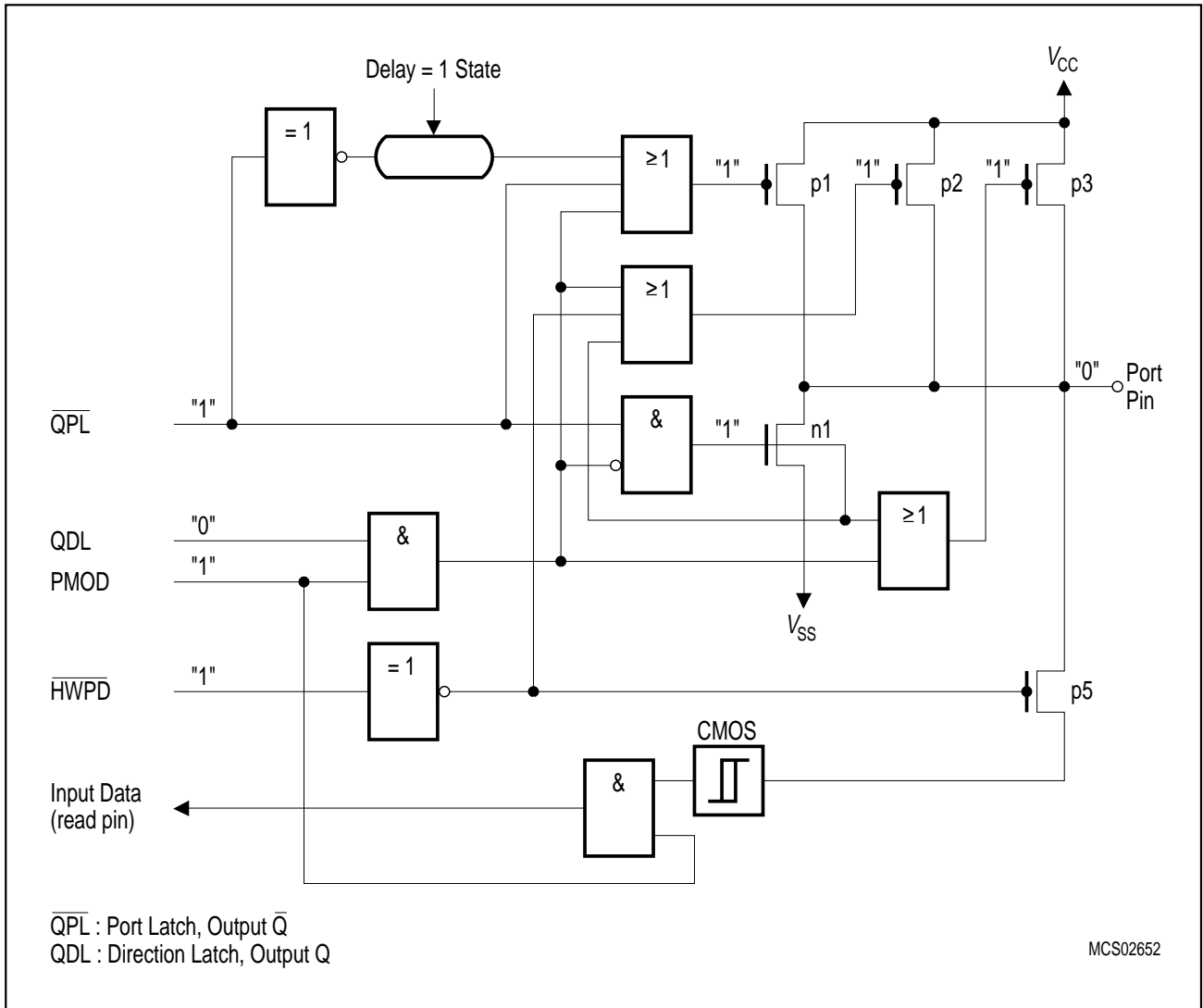


Figure 6-11
Bidirectional Port Structure - Output Mode - "0"

The FET n1 is switched on and is driving a '0' at the port pin. FETs p1, p2, p3 are switched off.

6.1.1.3.3 Hardware Power Down Mode

Figure 6-12 shows the port 5 structure when the $\overline{\text{HWPD}}$ -pin becomes active ($\overline{\text{HWPD}}='0'$). First of all the SFRs are written with their reset values. Therefore, the bit PMOD is cleared (PMOD=0), quasi-bidirectional port structure is enabled after leaving the hardware power down mode) and the port 5 latch and its direction latch contain a '1' ($\overline{\text{QPL}} = '0'$, QDL='1'). Then the hardware power down mode with port 5 in tri-state status is entered.

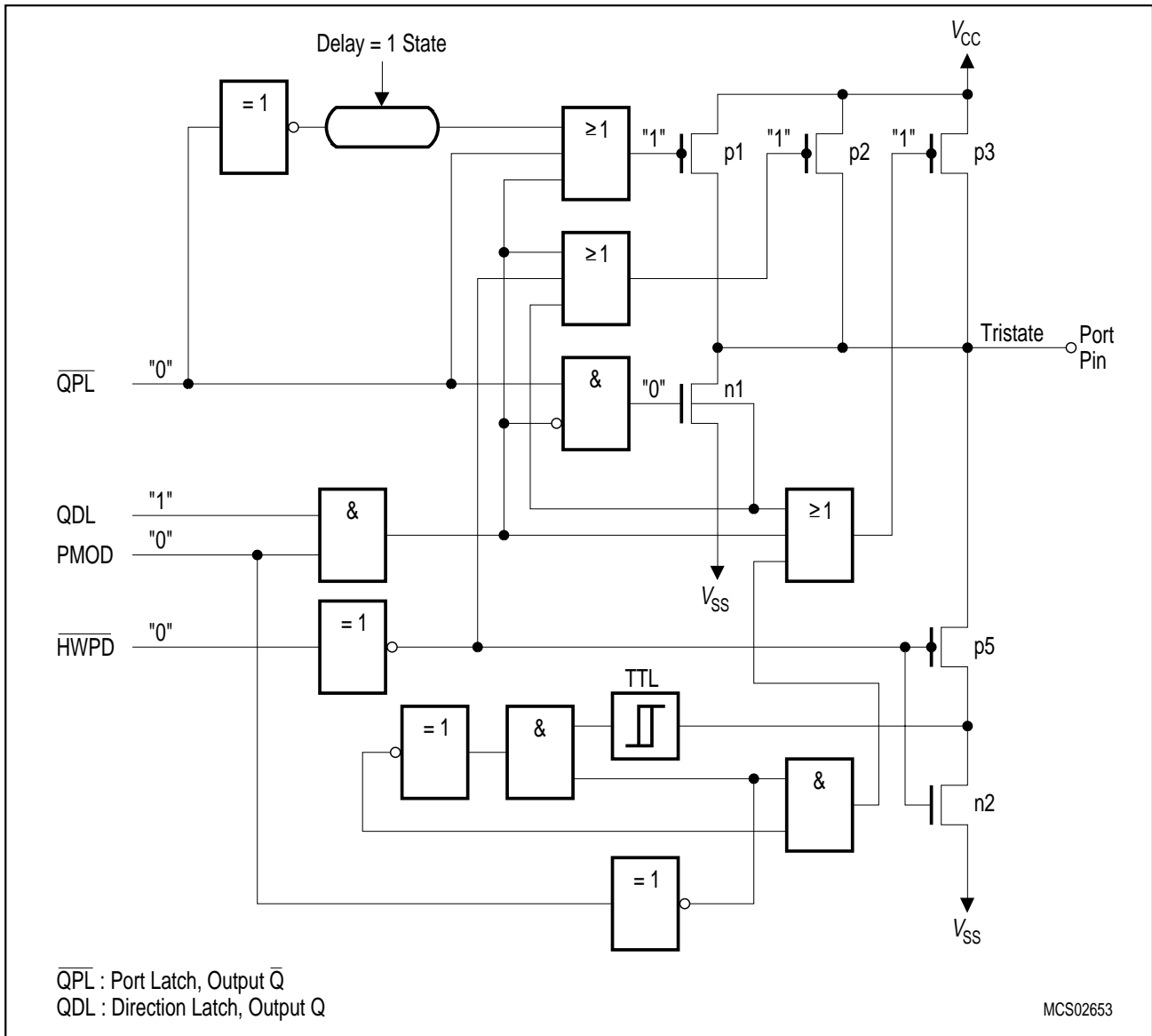


Figure 6-12
Bidirectional Port Structure - Hardware Power Down Mode

Due to $\overline{\text{HWPD}}='0'$ the FET n2 becomes active and the FETs p2 and p5 are switched off. The FETs p1, p3 and n1 are switched off caused by the status of the port latch, direction latch and of PMOD (reset values).

6.1.2 Alternate Functions of Ports

Several pins of ports 1, 3, 4, and 7 are multifunctional. They are port pins and also serve to implement special features as listed in **table 6-1**. The SSC interface pins of port 4 are described in a previous section 6.1.1.2.4.

Figure 6-13 shows a functional diagram of a port latch with alternate function. To pass the alternate function to the output pin and vice versa, however, the gate between the latch and driver circuit must be open. Thus, to use the alternate input or output functions, the corresponding bit latch in the port SFR has to contain a one (1); otherwise the pull-down FET is on and the port pin is stuck at 0. (This does not apply to ports 1.0 to 1.3 when operating in compare output mode). After reset all port latches contain ones (1).

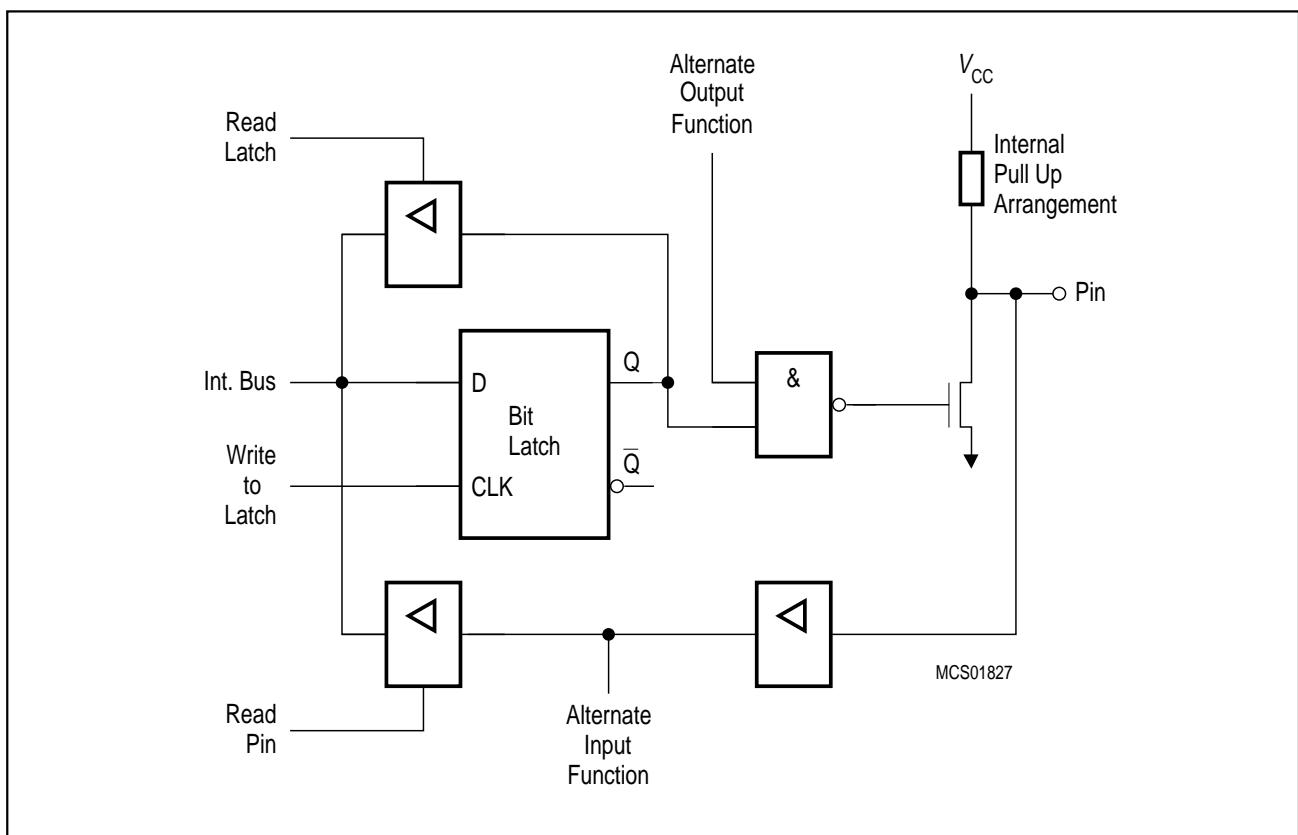


Figure 6-13
Circuitry of Ports 1, 3, 4 and 7

Port 5 has no alternate functions as described above. Therefore, the port circuitry has no switching capability between alternate function and normal I/O operation. This more simple circuitry is shown as basic port structure in **figure 6-3**.

The two CAN controller transmit/receive lines TXDC/RXDC are located as alternate functions on the port 4 lines P4.6 and P4.7. These two port lines have the standard port structure which is equal to port 1 or port 3.

Table 6-1
Alternate Functions of Port Pins

Port	Pin	Alternate Function
P1.0	$\overline{\text{INT3}}/\text{CC0}$	External interrupt 3/capture 0/compare 0
P1.1	INT4/CC1	External interrupt 4/capture 1/compare 1
P1.2	INT5/CC2	External interrupt 5/capture 2/compare 2
P1.3	INT6/CC3	External interrupt 6/capture 3/compare 3
P1.4	$\overline{\text{INT2}}$	External interrupt 2
P1.5	T2EX	Timer 2 external reload trigger input
P1.6	CLKOUT	System clock output
P1.7	T2	Timer 2 external count input
P3.0	RXD	Serial input channel 0
P3.1	TXD	Serial output channel 0
P3.2	$\overline{\text{INT0}}$	External interrupt 0
P3.3	$\overline{\text{INT1}}$	External interrupt 1
P3.4	T0	Timer 0 external count input
P3.5	T1	Timer 1 external count input
P3.6	$\overline{\text{WR}}$	External data memory write strobe
P3.7	$\overline{\text{RD}}$	External data memory read strobe
P4.0	$\overline{\text{ADST}}$	A/D converter external start pin
P4.1	SCLK	SSC master clock output, SSC slave clock input
P4.2	SRI	SSC receive input
P4.3	STO	SSC transmit output
P4.4	$\overline{\text{SLS}}$	SSC slave select input
P4.5	$\overline{\text{INT8}}$	External interrupt 8
P4.6	TXDC	CAN controller transmitter output
P4.7	RXDC	CAN controller receiver input
P7.0	$\overline{\text{INT7}}$	External interrupt 7

6.1.3 Port Handling

6.1.3.1 Port Timing

When executing an instruction that changes the value of a port latch, the new value arrives at the latch during S6P2 of the final cycle of the instruction. However, port latches are only sampled by their output buffers during phase 1 of any clock period (during phase 2 the output buffer holds the value it noticed during the previous phase 1). Consequently, the new value in the port latch will not appear at the output pin until the next phase 1, which will be at S1P1 of the next machine cycle.

When an instruction reads a value from a port pin (e.g. MOV A, P1) the port pin is actually sampled in state 5 phase 1 or phase 2 depending on port and alternate functions. **Figure 6-14** illustrates this port timing. It must be noted that this mechanism of sampling once per machine cycle is also used if a port pin is to detect an "edge", e.g. when used as counter input. In this case an "edge" is detected when the sampled value differs from the value that was sampled the cycle before. Therefore, there must be met certain requirements on the pulse length of signals in order to avoid signal "edges" not being detected. The minimum time period of high and low level is one machine cycle, which guarantees that this logic level is noticed by the port at least once.

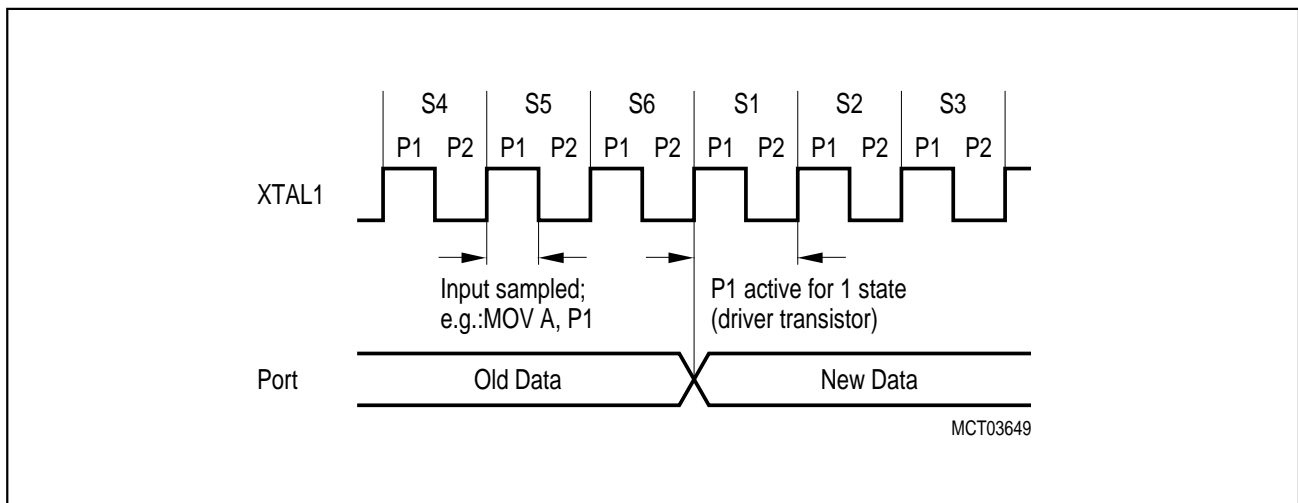


Figure 6-14
Port Timing

6.1.3.2 Port Loading and Interfacing

The output buffers of ports 1 to 5 and 7 can drive TTL inputs directly. The maximum port load which still guarantees correct logic output levels can be looked up in the C515C DC characteristics in chapter 10. The corresponding parameters are V_{OL} and V_{OH} .

The same applies to port 0 output buffers. They do, however, require external pullups to drive floating inputs, except when being used as the address/data bus.

When used as inputs it must be noted that the ports 1 to 5 and 7 are not floating but have internal pullup transistors. The driving devices must be capable of sinking a sufficient current if a logic low level shall be applied to the port pin (the parameters I_{TL} and I_{IL} in the C515C DC characteristics specify these currents). Port 0 has floating inputs when used for digital input.

6.1.3.3 Read-Modify-Write Feature of Ports 1 to 5 and 7

Some port-reading instructions read the latch and others read the pin. The instructions reading the latch rather than the pin read a value, possibly change it, and then rewrite it to the latch. These are called "read-modify-write"-instructions, which are listed in **table 6-2**. If the destination is a port or a port pin, these instructions read the latch rather than the pin. Note that all other instructions which can be used to read a port, exclusively read the port pin. In any case, reading from latch or pin, respectively, is performed by reading the SFR P0, P1, P2 and P3; for example, "MOV A, P3" reads the value from port 3 pins, while "ANL P3, #0AAH" reads from the latch, modifies the value and writes it back to the latch.

It is not obvious that the last three instructions in **table 6-2** are read-modify-write instructions, but they are. The reason is that they read the port byte, all 8 bits, modify the addressed bit, then write the complete byte back to the latch.

Table 6-2
Read-Modify-Write"- Instructions

Instruction	Function
ANL	Logic AND; e.g. ANL P1, A
ORL	Logic OR; e.g. ORL P2, A
XRL	Logic exclusive OR; e.g. XRL P3, A
JBC	Jump if bit is set and clear bit; e.g. JBC P1.1, LABEL
CPL	Complement bit; e.g. CPL P3.0
INC	Increment byte; e.g. INC P1
DEC	Decrement byte; e.g. DEC P1
DJNZ	Decrement and jump if not zero; e.g. DJNZ P3, LABEL
MOV Px.y,C	Move carry bit to bit y of port x
CLR Px.y	Clear bit y of port x
SETB Px.y	Set bit y of port x

The reason why read-modify-write instructions are directed to the latch rather than the pin is to avoid a possible misinterpretation of the voltage level at the pin. For example, a port bit might be used to drive the base of a transistor. When a "1" is written to the bit, the transistor is turned on. If the CPU then reads the same port bit at the pin rather than the latch, it will read the base voltage of the transistor (approx. 0.7 V, i.e. a logic low level!) and interpret it as "0". For example, when modifying a port bit by a SETB or CLR instruction, another bit in this port with the above mentioned configuration might be changed if the value read from the pin were written back to the latch. However, reading the latch rather than the pin will return the correct value of "1".

6.2 Timers/Counters

The C515C contains three 16-bit timers/counters, timer 0, 1, and 2, which are useful in many applications for timing and counting.

In "timer" function, the register is incremented every machine cycle. Thus one can think of it as counting machine cycles. Since a machine cycle consists of 6 oscillator periods, the counter rate is 1/6 of the oscillator frequency.

In "counter" function, the register is incremented in response to a 1-to-0 transition (falling edge) at its corresponding external input pin, T0 or T1 (alternate functions of P3.4 and P3.5, resp.). In this function the external input is sampled during S5P2 of every machine cycle. When the samples show a high in one cycle and a low in the next cycle, the count is incremented. The new count value appears in the register during S3P1 of the cycle following the one in which the transition was detected. Since it takes two machine cycles (12 oscillator periods) to recognize a 1-to-0 transition, the maximum count rate is 1/12 of the oscillator frequency. There are no restrictions on the duty cycle of the external input signal, but to ensure that a given level is sampled at least once before it changes, it must be held for at least one full machine cycle.

6.2.1 Timer/Counter 0 and 1

Timer / counter 0 and 1 of the C515C are fully compatible with timer / counter 0 and 1 of the C501 and can be used in the same four operating modes:

Mode 0: 8-bit timer/counter with a divide-by-32 prescaler

Mode 1: 16-bit timer/counter

Mode 2: 8-bit timer/counter with 8-bit auto-reload

Mode 3: Timer/counter 0 is configured as one 8-bit timer/counter and one 8-bit timer; Timer/counter 1 in this mode holds its count. The effect is the same as setting TR1 = 0.

External inputs $\overline{\text{INT0}}$ and $\overline{\text{INT1}}$ can be programmed to function as a gate for timer/counters 0 and 1 to facilitate pulse width measurements.

Each timer consists of two 8-bit registers (TH0 and TL0 for timer/counter 0, TH1 and TL1 for timer/counter 1) which may be combined to one timer configuration depending on the mode that is established. The functions of the timers are controlled by two special function registers TCON and TMOD.

In the following descriptions the symbols TH0 and TL0 are used to specify the high-byte and the low-byte of timer 0 (TH1 and TL1 for timer 1, respectively). The operating modes are described and shown for timer 0. If not explicitly noted, this applies also to timer 1.

6.2.1.1 Timer/Counter 0 and 1 Registers

Totally six special function registers control the timer/counter 0 and 1 operation :

- TL0/TH0 and TL1/TH1 - counter registers, low and high part
- TCON and TMOD - control and mode select registers

Special Function Register TL0 (Address 8A_H)	Reset Value : 00_H
Special Function Register TH0 (Address 8C_H)	Reset Value : 00_H
Special Function Register TL1 (Address 8B_H)	Reset Value : 00_H
Special Function Register TH1 (Address 8D_H)	Reset Value : 00_H

Bit No.	MSB								LSB
	7	6	5	4	3	2	1	0	
8A _H	.7	.6	.5	.4	.3	.2	.1	.0	TL0
8C _H	.7	.6	.5	.4	.3	.2	.1	.0	TH0
8B _H	.7	.6	.5	.4	.3	.2	.1	.0	TL1
8D _H	.7	.6	.5	.4	.3	.2	.1	.0	TH1

Bit	Function	
TLx.7-0 x=0-1	Timer/counter 0/1 low register	
	Operating Mode	Description
	0	"TLx" holds the 5-bit prescaler value.
	1	"TLx" holds the lower 8-bit part of the 16-bit timer/counter value.
	2	"TLx" holds the 8-bit timer/counter value.
	3	TL0 holds the 8-bit timer/counter value; TL1 is not used.
THx.7-0 x=0-1	Timer/counter 0/1 high register	
	Operating Mode	Description
	0	"THx" holds the 8-bit timer/counter value.
	1	"THx" holds the higher 8-bit part of the 16-bit timer/counter value
	2	"THx" holds the 8-bit reload value.
	3	TH0 holds the 8-bit timer value; TH1 is not used.

Special Function Register TCON (Address 88_H)

Reset Value : 00_H

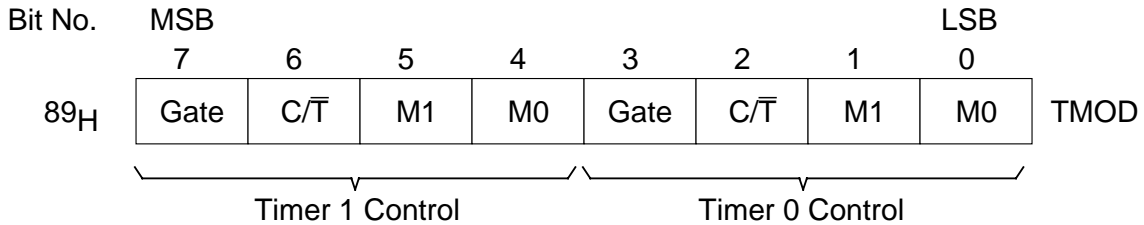
Bit No.	MSB							LSB	
	7	6	5	4	3	2	1	0	
	8F _H	8E _H	8D _H	8C _H	8B _H	8A _H	89 _H	88 _H	
88 _H	TF1	TR1	TF0	TR0	IE1	IT1	IE0	IT0	TCON

The shaded bits are not used in controlling timer/counter 0 and 1.

Bit	Function
TR0	Timer 0 run control bit Set/cleared by software to turn timer/counter 0 ON/OFF.
TF0	Timer 0 overflow flag Set by hardware on timer/counter overflow. Cleared by hardware when processor vectors to interrupt routine.
TR1	Timer 1 run control bit Set/cleared by software to turn timer/counter 1 ON/OFF.
TF1	Timer 1 overflow flag Set by hardware on timer/counter overflow. Cleared by hardware when processor vectors to interrupt routine.

Special Function Register TMOD (Address 89H)

Reset Value : 00H



Bit	Function															
GATE	Gating control When set, timer/counter "x" is enabled only while "INT x" pin is high and "TRx" control bit is set. When cleared timer "x" is enabled whenever "TRx" control bit is set.															
C/ \bar{T}	Counter or timer select bit Set for counter operation (input from "Tx" input pin). Cleared for timer operation (input from internal system clock).															
M1 M0	<table border="1" style="width: 100%; border-collapse: collapse;"> <thead> <tr> <th style="text-align: left;">M1</th> <th style="text-align: left;">M0</th> <th style="text-align: left;">Function</th> </tr> </thead> <tbody> <tr> <td style="text-align: center;">0</td> <td style="text-align: center;">0</td> <td> 8-bit timer/counter: "THx" operates as 8-bit timer/counter "TLx" serves as 5-bit prescaler </td> </tr> <tr> <td style="text-align: center;">0</td> <td style="text-align: center;">1</td> <td> 16-bit timer/counter. "THx" and "TLx" are cascaded; there is no prescaler </td> </tr> <tr> <td style="text-align: center;">1</td> <td style="text-align: center;">0</td> <td> 8-bit auto-reload timer/counter. "THx" holds a value which is to be reloaded into "TLx" each time it overflows </td> </tr> <tr> <td style="text-align: center;">1</td> <td style="text-align: center;">1</td> <td> Timer 0 : TL0 is an 8-bit timer/counter controlled by the standard timer 0 control bits. TH0 is an 8-bit timer only controlled by timer 1 control bits. Timer 1 : Timer/counter 1 stops </td> </tr> </tbody> </table>	M1	M0	Function	0	0	8-bit timer/counter: "THx" operates as 8-bit timer/counter "TLx" serves as 5-bit prescaler	0	1	16-bit timer/counter. "THx" and "TLx" are cascaded; there is no prescaler	1	0	8-bit auto-reload timer/counter. "THx" holds a value which is to be reloaded into "TLx" each time it overflows	1	1	Timer 0 : TL0 is an 8-bit timer/counter controlled by the standard timer 0 control bits. TH0 is an 8-bit timer only controlled by timer 1 control bits. Timer 1 : Timer/counter 1 stops
M1	M0	Function														
0	0	8-bit timer/counter: "THx" operates as 8-bit timer/counter "TLx" serves as 5-bit prescaler														
0	1	16-bit timer/counter. "THx" and "TLx" are cascaded; there is no prescaler														
1	0	8-bit auto-reload timer/counter. "THx" holds a value which is to be reloaded into "TLx" each time it overflows														
1	1	Timer 0 : TL0 is an 8-bit timer/counter controlled by the standard timer 0 control bits. TH0 is an 8-bit timer only controlled by timer 1 control bits. Timer 1 : Timer/counter 1 stops														

6.2.1.2 Mode 0

Putting either timer/counter 0,1 into mode 0 configures it as an 8-bit timer/counter with a divide-by-32 prescaler. **Figure 6-15** shows the mode 0 operation.

In this mode, the timer register is configured as a 13-bit register. As the count rolls over from all 1's to all 0's, it sets the timer overflow flag TF0. The overflow flag TF0 then can be used to request an interrupt. The counted input is enabled to the timer when TR0 = 1 and either Gate = 0 or $\overline{\text{INT0}} = 1$ (setting Gate = 1 allows the timer to be controlled by external input $\overline{\text{INT0}}$, to facilitate pulse width measurements). TR0 is a control bit in the special function register TCON; Gate is in TMOD.

The 13-bit register consists of all 8 bits of TH0 and the lower 5 bits of TL0. The upper 3 bits of TL0 are indeterminate and should be ignored. Setting the run flag (TR0) does not clear the registers.

Mode 0 operation is the same for timer 0 as for timer 1. Substitute TR0, TF0, TH0, TL0 and $\overline{\text{INT0}}$ for the corresponding timer 1 signals in **figure 6-15**. There are two different gate bits, one for timer 1 (TMOD.7) and one for timer 0 (TMOD.3).

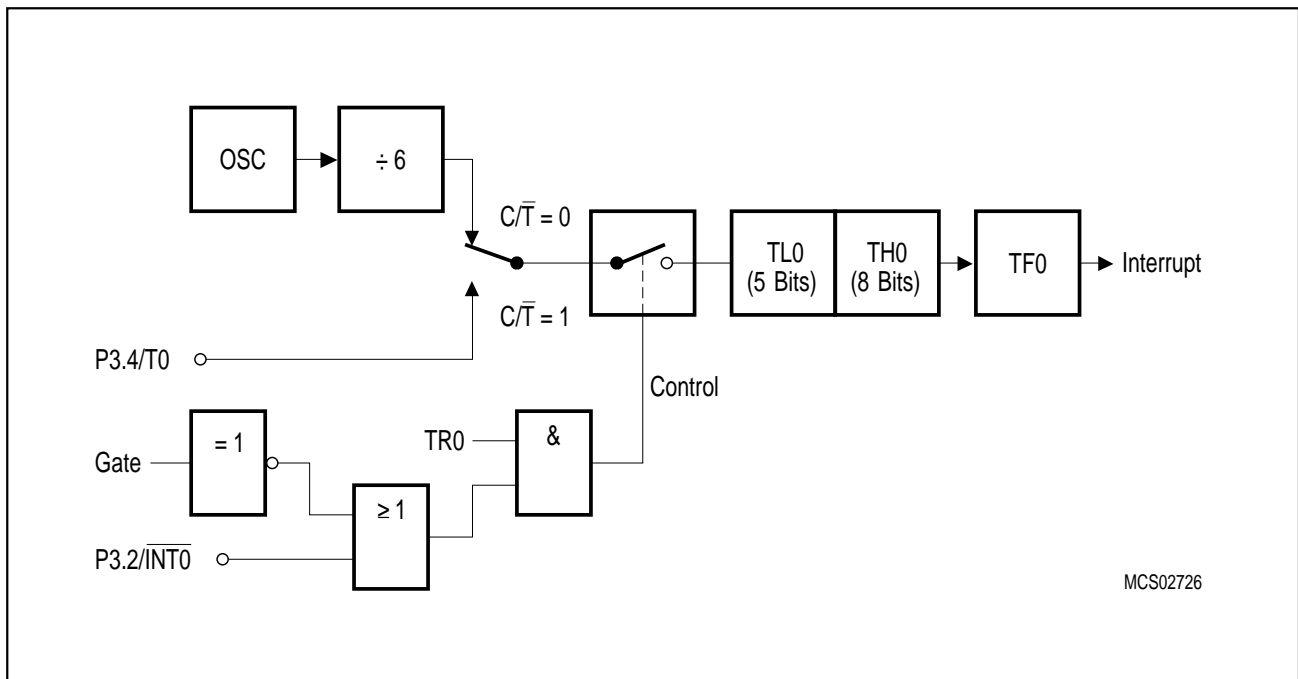


Figure 6-15
Timer/Counter 0, Mode 0: 13-Bit Timer/Counter

6.2.1.3 Mode 1

Mode 1 is the same as mode 0, except that the timer register is running with all 16 bits. Mode 1 is shown in figure 6-16.

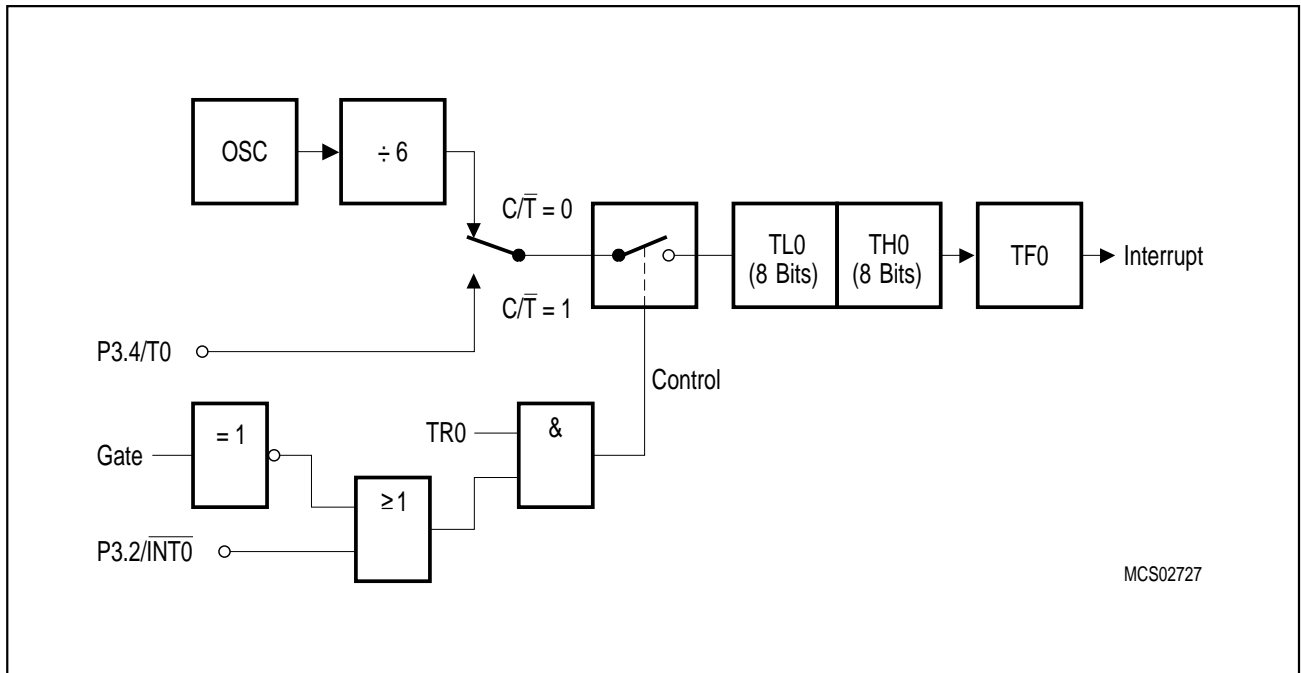


Figure 6-16
Timer/Counter 0, Mode 1: 16-Bit Timer/Counter

6.2.1.4 Mode 2

Mode 2 configures the timer register as an 8-bit counter (TL0) with automatic reload, as shown in figure 6-17. Overflow from TL0 not only sets TF0, but also reloads TL0 with the contents of TH0, which is preset by software. The reload leaves TH0 unchanged.

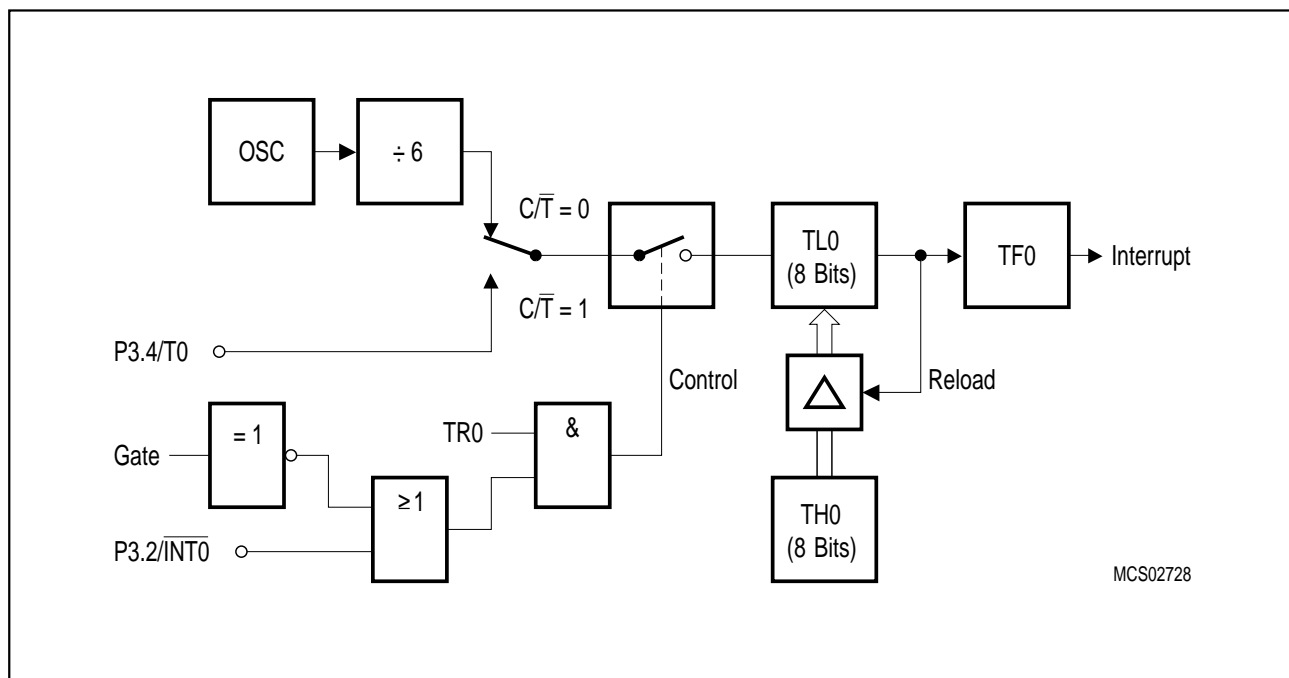


Figure 6-17
Timer/Counter 0,1, Mode 2: 8-Bit Timer/Counter with Auto-Reload

6.2.1.5 Mode 3

Mode 3 has different effects on timer 0 and timer 1. Timer 1 in mode 3 simply holds its count. The effect is the same as setting TR1=0. Timer 0 in mode 3 establishes TL0 and TH0 as two separate counters. The logic for mode 3 on timer 0 is shown in **figure 6-18**. TL0 uses the timer 0 control bits: C/T, Gate, TR0, INT0 and TF0. TH0 is locked into a timer function (counting machine cycles) and takes over the use of TR1 and TF1 from timer 1. Thus, TH0 now controls the "timer 1" interrupt.

Mode 3 is provided for applications requiring an extra 8-bit timer or counter. When timer 0 is in mode 3, timer 1 can be turned on and off by switching it out of and into its own mode 3, or can still be used by the serial channel as a baud rate generator, or in fact, in any application not requiring an interrupt from timer 1 itself.

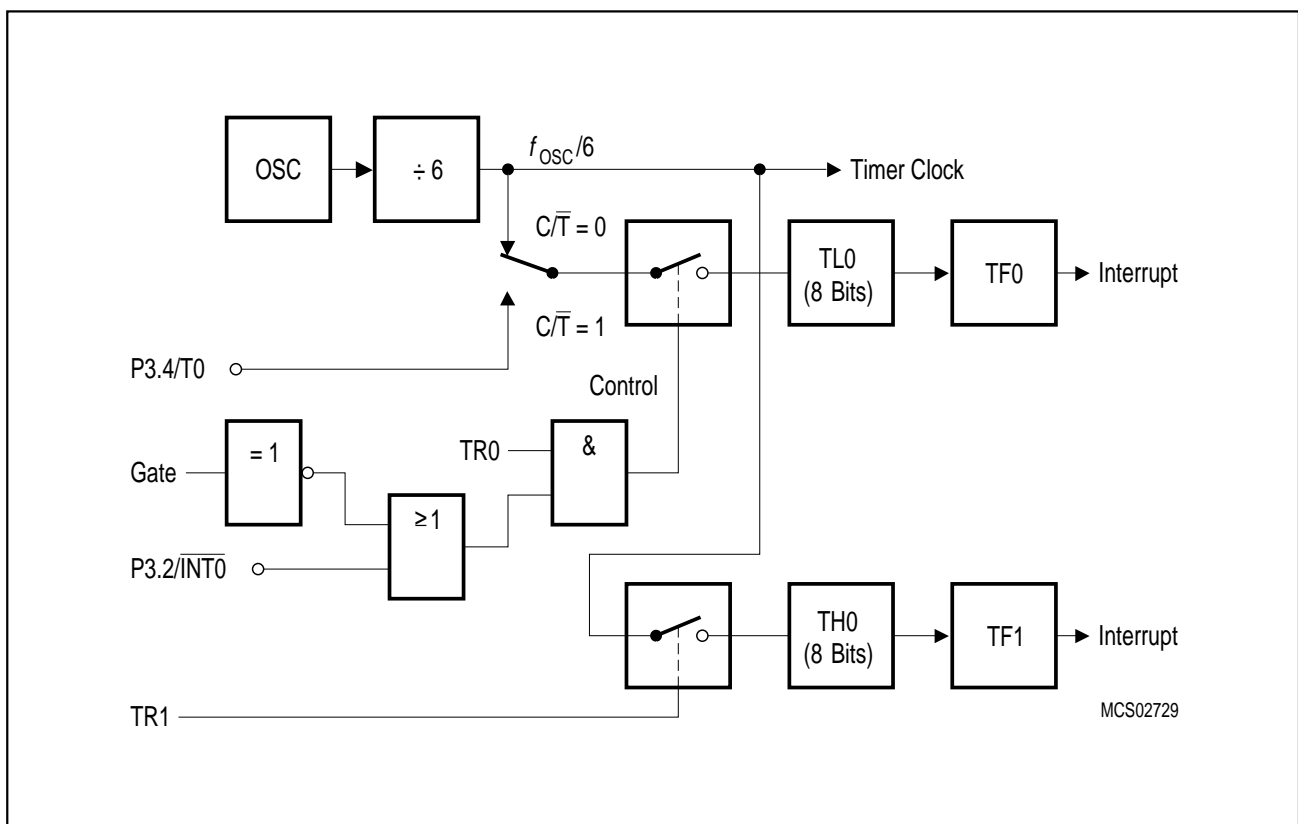


Figure 6-18
Timer/Counter 0, Mode 3: Two 8-Bit Timers/Counters

6.2.2 Timer/Counter 2 with Additional Compare/Capture/Reload

The timer 2 with additional compare/capture/reload features is one of the most powerful peripheral units of the C515C. It can be used for all kinds of digital signal generation and event capturing like pulse generation, pulse width modulation, pulse width measuring etc.

Timer 2 is designed to support various automotive control applications (ignition/injection-control, anti-lock-brake ...) as well as industrial applications (DC-, three-phase AC- and stepper-motor control, frequency generation, digital-to-analog conversion, process control ...). Please note that this timer is not equivalent to timer 2 of the C501.

The C515C timer 2 in combination with the compare/capture/reload registers allows the following operating modes:

- Compare : up to 4 PWM signals with 65535 steps at maximum, and 600 ns resolution
- Capture : up to 4 high speed capture inputs with 600 ns resolution
- Reload : modulation of timer 2 cycle time

The block diagram in **figure 6-19** shows the general configuration of timer 2 with the additional compare/capture/reload registers. The I/O pins which can be used for timer 2 control are located as multifunctional port functions at port 1 (see **table 6-3**).

Table 6-3
Alternate Port Functions of Timer 2

Pin Symbol	Function
P1.7 / T2	External count or gate input to timer 2
P1.5 / T2EX	External reload trigger input
P1.3 / INT6 / CC3	Compare output / capture input for CC register 3
P1.2 / INT5 / CC2	Compare output / capture input for CC register 2
P1.1 / INT4 / CC1	Compare output / capture input for CC register 1
P1.0 / $\overline{\text{INT3}}$ / CC0	Compare output / capture input for CRC register

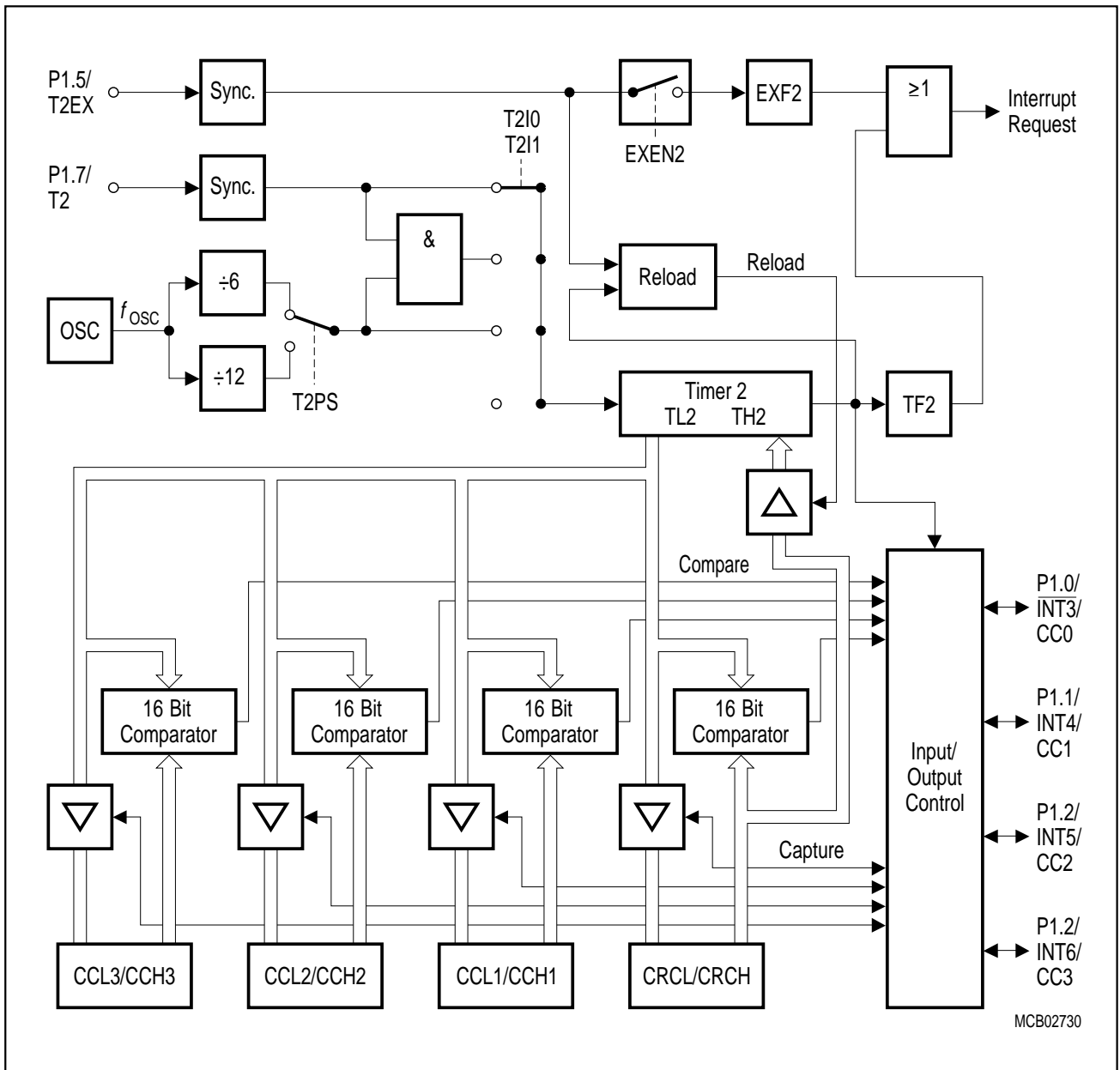


Figure 6-19
Timer 2 Block Diagram

6.2.2.1 Timer 2 Registers

This chapter describes all timer 2 related special function registers of timer 2. The interrupt related SFRs are also included in this section. **Table 6-4** summarizes all timer 2 SFRs.

Table 6-4
Special Function Registers of the Timer 2 Unit

Symbol	Description	Address
T2CON	Timer 2 control register	C8 _H
TL2	Timer 2, low byte	CC _H
TH2	Timer 2, high byte	CD _H
CRCL	Compare / reload / capture register, low byte	CA _H
CRCH	Compare / reload / capture register, high byte	CB _H
CCEN	Compare / capture enable register	C1 _H
CCL1	Compare / capture register 1, low byte	C2 _H
CCH1	Compare / capture register 1, high byte	C3 _H
CCL2	Compare / capture register 2, low byte	C4 _H
CCH2	Compare / capture register 2, high byte	C5 _H
CCL3	Compare / capture register 3, low byte	C6 _H
CCH3	Compare / capture register 3, high byte	C7 _H
IEN0	Interrupt enable register 0	A8 _H
IEN1	Interrupt enable register 1	B8 _H
IRCON	Interrupt control register	C0 _H

The T2CON timer 2 control register is a bitaddressable register which controls the timer 2 function and the compare mode of registers CRC, CC1 to CC3.

Special Function Register T2CON (Address C8_H)

Reset Value : 00_H

Bit No.	MSB							LSB	
	7	6	5	4	3	2	1	0	
	CF _H	CE _H	CD _H	CC _H	CB _H	CA _H	C9 _H	C8 _H	
C8 _H	T2PS	I3FR	I2FR	T2R1	T2R0	T2CM	T2I1	T2I0	T2CON

The shaded bit is not used in controlling timer/counter 2.

Bit	Function															
T2PS	Prescaler select bit When set, timer 2 is clocked in the “timer“ or “gated timer“ function with 1/12 of the oscillator frequency. When cleared, timer 2 is clocked with 1/6 of the oscillator frequency. T2PS must be 0 for the counter operation of timer 2.															
I3FR	External interrupt 3 falling/rising edge flag Used for capture function in combination with register CRC. If set, a capture to register CRC (if enabled) will occur on a positive transition at pin P1.0 / INT3 / CC0. If I3FR is cleared, a capture will occur on a negative transition.															
T2R1 T2R0	Timer 2 reload mode selection <table border="1"> <thead> <tr> <th>T2R1</th> <th>T2R0</th> <th>Function</th> </tr> </thead> <tbody> <tr> <td>0</td> <td>X</td> <td>Reload disabled</td> </tr> <tr> <td>1</td> <td>0</td> <td>Mode 0 : auto-reload upon timer 2 overflow (TF2)</td> </tr> <tr> <td>1</td> <td>1</td> <td>Mode 1 : reload on falling edge at pin T2EX / P1.5</td> </tr> </tbody> </table>	T2R1	T2R0	Function	0	X	Reload disabled	1	0	Mode 0 : auto-reload upon timer 2 overflow (TF2)	1	1	Mode 1 : reload on falling edge at pin T2EX / P1.5			
T2R1	T2R0	Function														
0	X	Reload disabled														
1	0	Mode 0 : auto-reload upon timer 2 overflow (TF2)														
1	1	Mode 1 : reload on falling edge at pin T2EX / P1.5														
T2CM	Compare mode bit for registers CRC, CC1 through CC3 When set, compare mode 1 is selected. T2CM = 0 selects compare mode 0.															
T2I1 T2I0	Timer 2 input selection <table border="1"> <thead> <tr> <th>T2I1</th> <th>T2I0</th> <th>Function</th> </tr> </thead> <tbody> <tr> <td>0</td> <td>0</td> <td>No input selected, timer 2 stops</td> </tr> <tr> <td>0</td> <td>1</td> <td>Timer function : input frequency = $f_{osc}/6$ (T2PS = 0) or $f_{osc}/12$ (T2PS = 1)</td> </tr> <tr> <td>1</td> <td>0</td> <td>Counter function : external input signal at pin T2 / P1-7</td> </tr> <tr> <td>1</td> <td>1</td> <td>Gated timer function : input controlled by pin T2 / P1.7</td> </tr> </tbody> </table>	T2I1	T2I0	Function	0	0	No input selected, timer 2 stops	0	1	Timer function : input frequency = $f_{osc}/6$ (T2PS = 0) or $f_{osc}/12$ (T2PS = 1)	1	0	Counter function : external input signal at pin T2 / P1-7	1	1	Gated timer function : input controlled by pin T2 / P1.7
T2I1	T2I0	Function														
0	0	No input selected, timer 2 stops														
0	1	Timer function : input frequency = $f_{osc}/6$ (T2PS = 0) or $f_{osc}/12$ (T2PS = 1)														
1	0	Counter function : external input signal at pin T2 / P1-7														
1	1	Gated timer function : input controlled by pin T2 / P1.7														

Special Function Register TL2 (Address CC_H)

Reset Value : 00_H

Special Function Register TH2 (Address CD_H)

Reset Value : 00_H

Special Function Register CRCL (Address CA_H)

Reset Value : 00_H

Special Function Register CRCH (Address CB_H)

Reset Value : 00_H

Bit No.	MSB							LSB	
	7	6	5	4	3	2	1	0	
CC _H	.7	.6	.5	.4	.3	.2	.1	LSB	TL2
CD _H	MSB	.6	.5	.4	.3	.2	.1	.0	TH2
CA _H	.7	.6	.5	.4	.3	.2	.1	LSB	CRCL
CB _H	MSB	.6	.5	.4	.3	.2	.1	.0	CRCH

Bit	Function
TL2.7-0	Timer 2 value low byte The TL2 register holds the 8-bit low part of the 16-bit timer 2 count value.
TH2.7-0	Timer 2 value high byte The TH2 register holds the 8-bit high part of the 16-bit timer 2 count value.
CRCL.7-0	Compare / reload / capture register low byte CRCL is the 8-bit low byte of the 16-bit reload register of timer 2. It is also used for compare/capture functions.
CRCH.7-0	Compare / reload / capture register high byte CRCH is the 8-bit high byte of the 16-bit reload register of timer 2. It is also used for compare/capture functions.

Special Function Register IEN0 (Address A8_H)

Reset Value : 00_H

Special Function Register IEN1 (Address B8_H)

Reset Value : 00_H

Special Function Register IRCON (Address C0_H)

Reset Value : 00_H

		MSB						LSB		
Bit No.		AF _H	AE _H	AD _H	AC _H	AB _H	AA _H	A9 _H	A8 _H	
A8 _H		EAL	WDT	ET2	ES	ET1	EX1	ET0	EX0	IEN0
Bit No.		BF _H	BE _H	BD _H	BC _H	BB _H	BA _H	B9 _H	B8 _H	
B8 _H		EXEN2	SWDT	EX6	EX5	EX4	EX3	EX2	EADC	IEN1
Bit No.		C7 _H	C6 _H	C5 _H	C4 _H	C3 _H	C2 _H	C1 _H	C0 _H	
C0 _H		EXF2	TF2	IEX6	IEX5	IEX4	IEX3	IEX2	IADC	IRCON

The shaded bits are not used in timer/counter 2 interrupt control.

Bit	Function
ET2	Timer 2 overflow / external reload interrupt enable. If ET2 = 0, the timer 2 interrupt is disabled. If ET2 = 1, the timer 2 interrupt is enabled.
EXEN2	Timer 2 external reload interrupt enable If EXEN2 = 0, the timer 2 external reload interrupt is disabled. If EXEN2 = 1, the timer 2 external reload interrupt is enabled. The external reload function is not affected by EXEN2.
EXF2	Timer 2 external reload flag EXF2 is set when a reload is caused by a falling edge on pin T2EX while EXEN2 = 1. If ET2 in IEN0 is set (timer 2 interrupt enabled), EXF2 = 1 will cause an interrupt. EXF2 can be used as an additional external interrupt when the reload function is not used. EXF2 must be cleared by software.
TF2	Timer 2 overflow flag Set by a timer 2 overflow and must be cleared by software. If the timer 2 interrupt is enabled, TF2 = 1 will cause an interrupt.

Special Function Register CCEN (Address C1_H)

Reset Value : 00_H

Bit No.	MSB							LSB	
	7	6	5	4	3	2	1	0	
C1 _H	COCAH3	COCAL3	COCAH2	COCAL2	COCAH1	COCAL1	COCAH0	COCAL0	CCEN

Bit	Function		
COCAH3 COCAL3	Compare/capture mode for CC register 3		
	COCAH3	COCAL3	Function
	0	0	Compare/capture disabled
	0	1	Capture on rising edge at pin P1.3 / INT6 / CC3
	1	0	Compare enabled
COCAH2 COCAL2	Compare/capture mode for CC register 2		
	COCAH2	COCAL2	Function
	0	0	Compare/capture disabled
	0	1	Capture on rising edge at pin P1.2 / INT5 / CC2
	1	0	Compare enabled
COCAH1 COCAL1	Compare/capture mode for CC register 1		
	COCAH1	COCAL1	Function
	0	0	Compare/capture disabled
	0	1	Capture on rising edge at pin P1.1 / INT4 / CC1
	1	0	Compare enabled
COCAH0 COCAL0	Compare/capture mode for CRC register		
	COCAH0	COCAL0	Function
	0	0	Compare/capture disabled
	0	1	Capture on falling/rising edge at pin P1.0 / INT3 / CC0
	1	0	Compare enabled
1	1	Capture on write operation into register CRCL	

6.2.2.2 Timer 2 Operation

The timer 2, which is a 16-bit-wide register, can operate as timer, event counter, or gated timer. The control register T2CON and the timer/counter registers TL2/TH2 are described below.

Timer Mode

In timer function, the count rate is derived from the oscillator frequency. A prescaler offers the possibility of selecting a count rate of 1/6 or 1/12 of the oscillator frequency. Thus, the 16-bit timer register (consisting of TH2 and TL2) is either incremented in every machine cycle or in every second machine cycle. The prescaler is selected by bit T2PS in special function register T2CON. If T2PS is cleared, the input frequency is 1/6 of the oscillator frequency. If T2PS is set, the 2:1 prescaler gates 1/12 of the oscillator frequency to the timer.

Gated Timer Mode

In gated timer function, the external input pin T2 (P1.7) functions as a gate to the input of timer 2. If T2 is high, the internal clock input is gated to the timer. T2 = 0 stops the counting procedure. This facilitates pulse width measurements. The external gate signal is sampled once every machine cycle.

Event Counter Mode

In the counter function, the timer 2 is incremented in response to a 1-to-0 transition at its corresponding external input pin T2 (P1.7). In this function, the external input is sampled every machine cycle. When the sampled inputs show a high in one cycle and a low in the next cycle, the count is incremented. The new count value appears in the timer register in the cycle following the one in which the transition was detected. Since it takes two machine cycles (12 oscillator periods) to recognize a 1-to-0 transition, the maximum count rate is 1/6 of the oscillator frequency. There are no restrictions on the duty cycle of the external input signal, but to ensure that a given level is sampled at least once before it changes, it must be held for at least one full machine cycle.

Note: The prescaler must be off for proper counter operation of timer 2, i.e. T2PS must be 0.

In either case, no matter whether timer 2 is configured as timer, event counter, or gated timer, a rolling-over of the count from all 1's to all 0's sets the timer overflow flag TF2 in SFR IRCON, which can generate an interrupt.

If TF2 is used to generate a timer overflow interrupt, the request flag must be cleared by the interrupt service routine as it could be necessary to check whether it was the TF2 flag or the external reload request flag EXF2 which requested the interrupt. Both request flags cause the program to branch to the same vector address.

Reload of Tirner 2

The reload mode for timer 2 is selected by bits T2R0 and T2R1 in SFR T2CON. **Figure 6-20** shows the configuration of timer 2 in reload mode.

Mode 0 : When timer 2 rolls over from all 1's to all 0's, it not only sets TF2 but also causes the timer 2 registers to be loaded with the 16-bit value in the CRC register, which is preset by software. The reload will happen in the same machine cycle in which TF2 is set, thus overwriting the count value 0000_H.

Mode 1 : When a 16-bit reload from the CRC register is caused by a negative transition at the corresponding input pin T2EX/P1.5. In addition, this transition will set flag EXF2, if bit EXEN2 in SFR IEN1 is set. If the timer 2 interrupt is enabled, setting EXF2 will generate an interrupt. The external input pin T2EX is sampled in every machine cycle. When the sampling shows a high in one cycle and a low in the next cycle, a transition will be recognized. The reload of timer 2 registers will then take place in the cycle following the one in which the transition was detected.

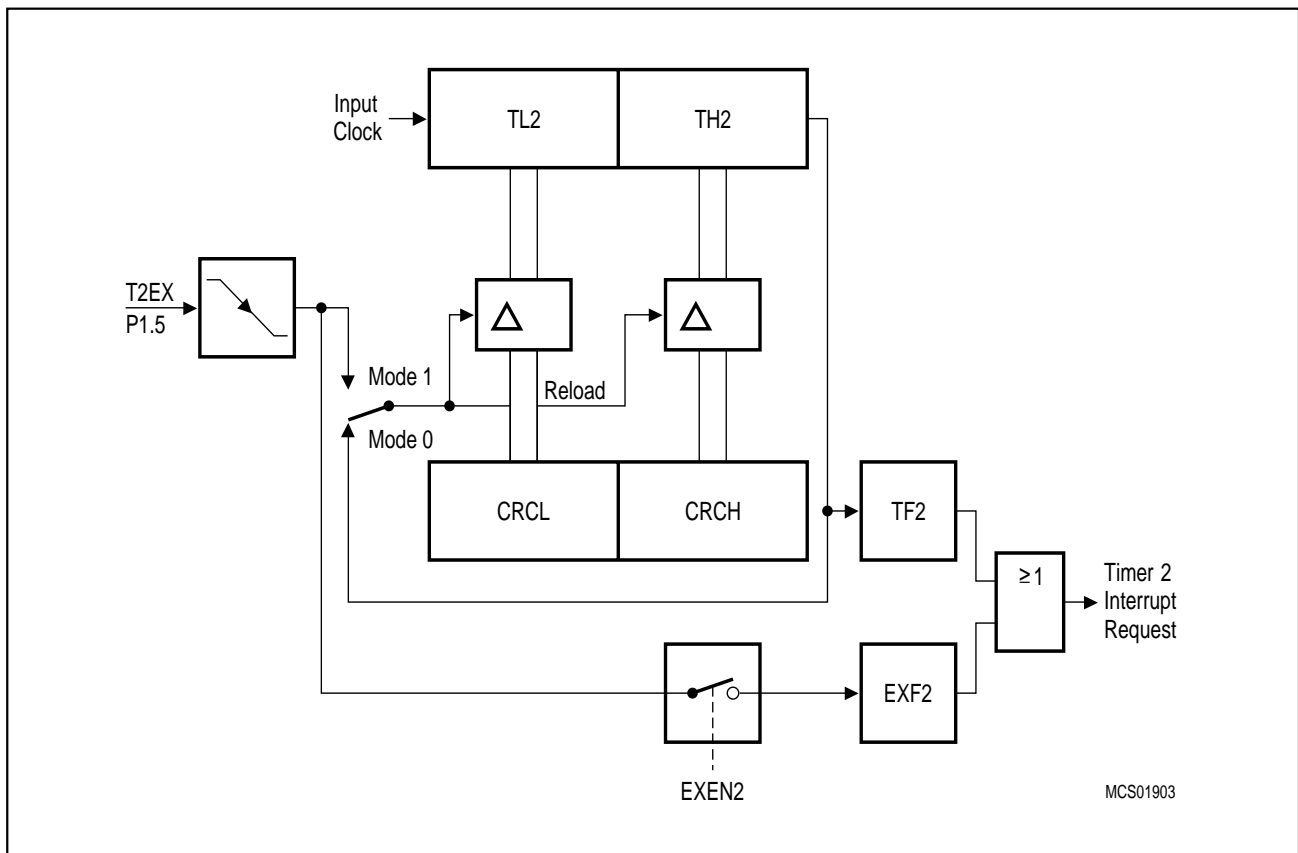


Figure 6-20
Timer 2 in Reload Mode

6.2.2.3 Compare Function of Registers CRC, CC1 to CC3

The compare function of a timer/register combination can be described as follows. The 16-bit value stored in a compare/capture register is compared with the contents of the timer register. If the count value in the timer register matches the stored value, an appropriate output signal is generated at a corresponding port pin, and an interrupt is requested.

The contents of a compare register can be regarded as 'time stamp' at which a dedicated output reacts in a predefined way (either with a positive or negative transition). Variation of this 'time stamp' somehow changes the wave of a rectangular output signal at a port pin. This may - as a variation of the duty cycle of a periodic signal - be used for pulse width modulation as well as for a continually controlled generation of any kind of square wave forms. Two compare modes are implemented to cover a wide range of possible applications.

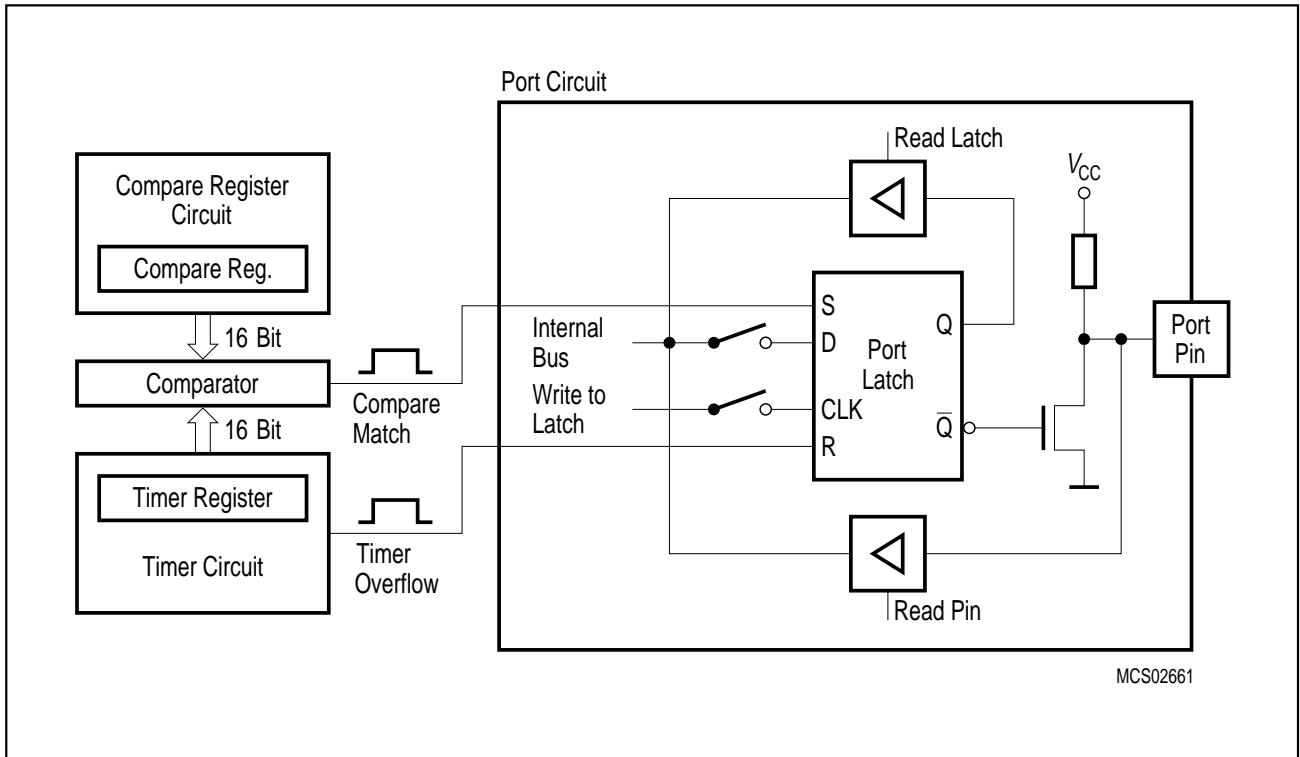
The compare modes 0 and 1 are selected by bit T2CM in special function register T2CON. In both compare modes, the new value arrives at the port pin 1 within the same machine cycle in which the internal compare signal is activated.

The four registers CRC, CC1 to CC3 are multifunctional as they additionally provide a capture, compare or reload capability (the CRC register only). A general selection of the function is done in register CCEN. Please note that the compare interrupt CC0 can be programmed to be negative or positive transition activated. The internal compare signal (not the output signal at the port pin!) is active as long as the timer 2 contents is equal to the one of the appropriate compare registers, and it has a rising and a falling edge. Thus, when using the CRC register, it can be selected whether an interrupt should be caused when the compare signal goes active or inactive, depending on bit I3FR in T2CON. For the CC registers 1 to 3 an interrupt is always requested when the compare signal goes active (see **figure 6-22**).

6.2.2.3.1 Compare Mode 0

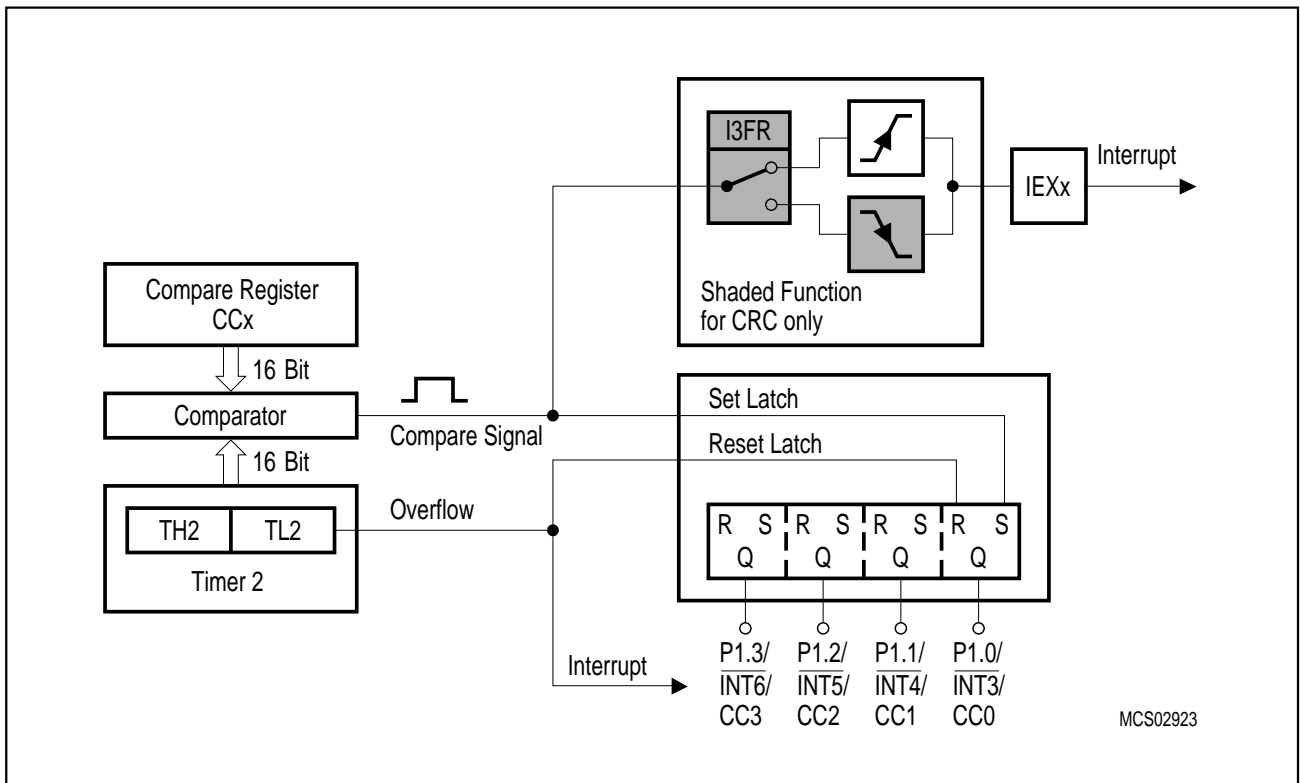
In mode 0, upon matching the timer and compare register contents, the output signal changes from low to high. It goes back to a low level on timer overflow. As long as compare mode 0 is enabled, the appropriate output pin is controlled by the timer circuit only, and not by the user. Writing to the port will have no effect. **Figure 6-21** shows a functional diagram of a port latch in compare mode 0. The port latch is directly controlled by the two signals timer overflow and compare. The input line from the internal bus and the write-to-latch line are disconnected when compare mode 0 is enabled.

Compare mode 0 is ideal for generating pulse width modulated output signals, which in turn can be used for digital-to-analog conversion via a filter network or by the controlled device itself (e.g. the inductance of a DC or AC motor). Mode 0 may also be used for providing output clocks with initially defined period and duty cycle. This is the mode which needs the least CPU time. Once set up, the output goes on oscillating without any CPU intervention. **Figure 6-22** and **6-23** illustrate the function of compare mode 0.



MCS02661

Figure 6-21
Port Latch in Compare Mode 0



MCS02923

Figure 6-22
Timer 2 with Registers CCx in Compare Mode 0

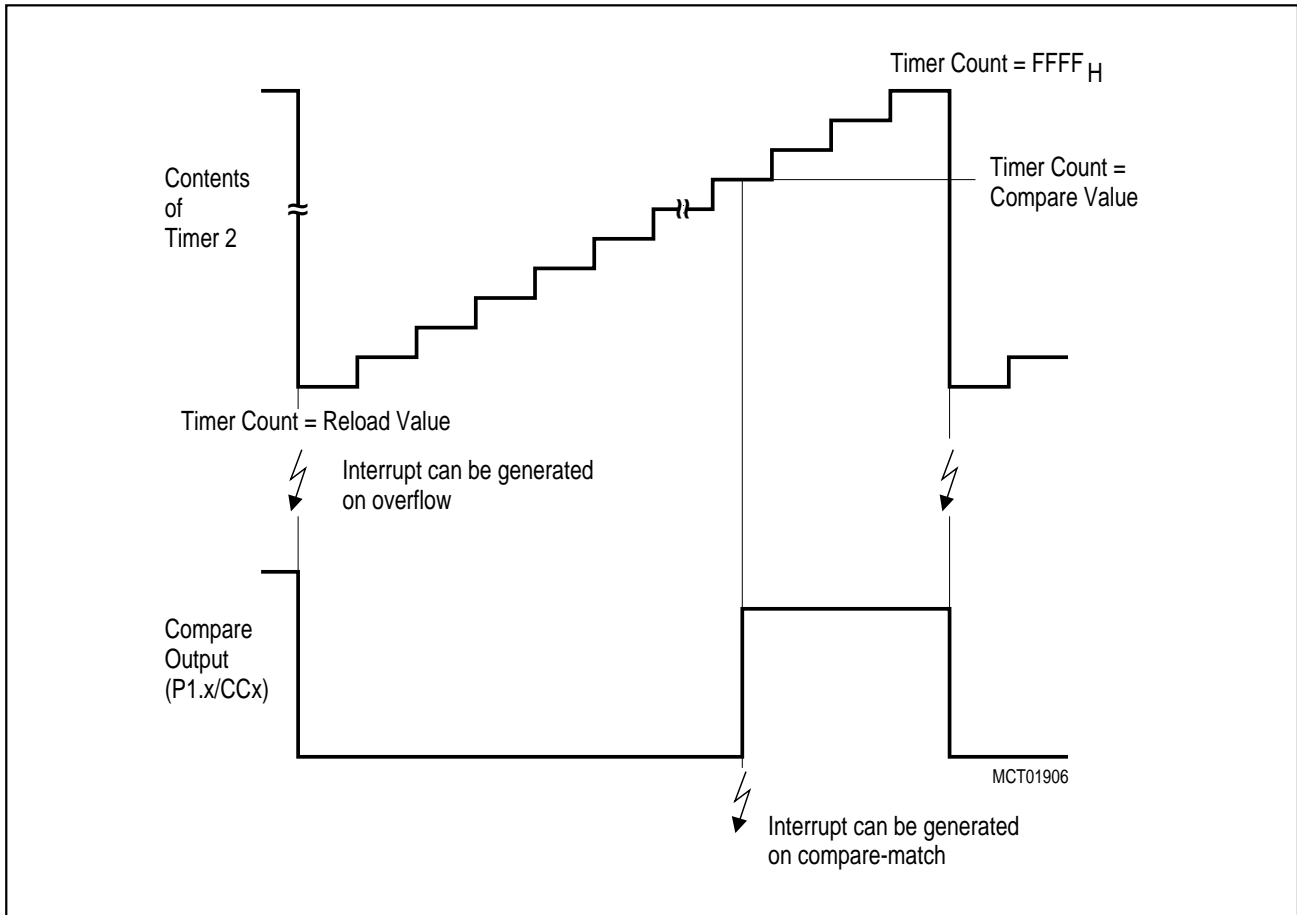


Figure 6-23
Function of Compare Mode 0

6.2.2.3.2 Modulation Range in Compare Mode 0

Generally it can be said that for every PWM generation in compare mode 0 with n-bit wide compare registers there are 2ⁿ different settings for the duty cycle. Starting with a constant low level (0% duty cycle) as the first setting, the maximum possible duty cycle then would be :

$$(1 - 1/2^n) \times 100\%$$

This means that a variation of the duty cycle from 0% to real 100% can never be reached if the compare register and timer register have the same length. There is always a spike which is as long as the timer clock period.

This “spike” may either appear when the compare register is set to the reload value (limiting the lower end of the modulation range) or it may occur at the end of a timer period. In a timer 2/CCx register configuration in compare mode 0 this spike is divided into two halves: one at the beginning when the contents of the compare register is equal to the reload value of the timer; the other half when the compare register is equal to the maximum value of the timer register (here: FFFF_H). Please refer to **figure 6-24** where the maximum and minimum duty cycle of a compare output signal is illustrated. Timer 2 is incremented with the machine clock (f_{osc}/6), thus at 10-MHz operational frequency, these spikes are both approx. 300 ns long.

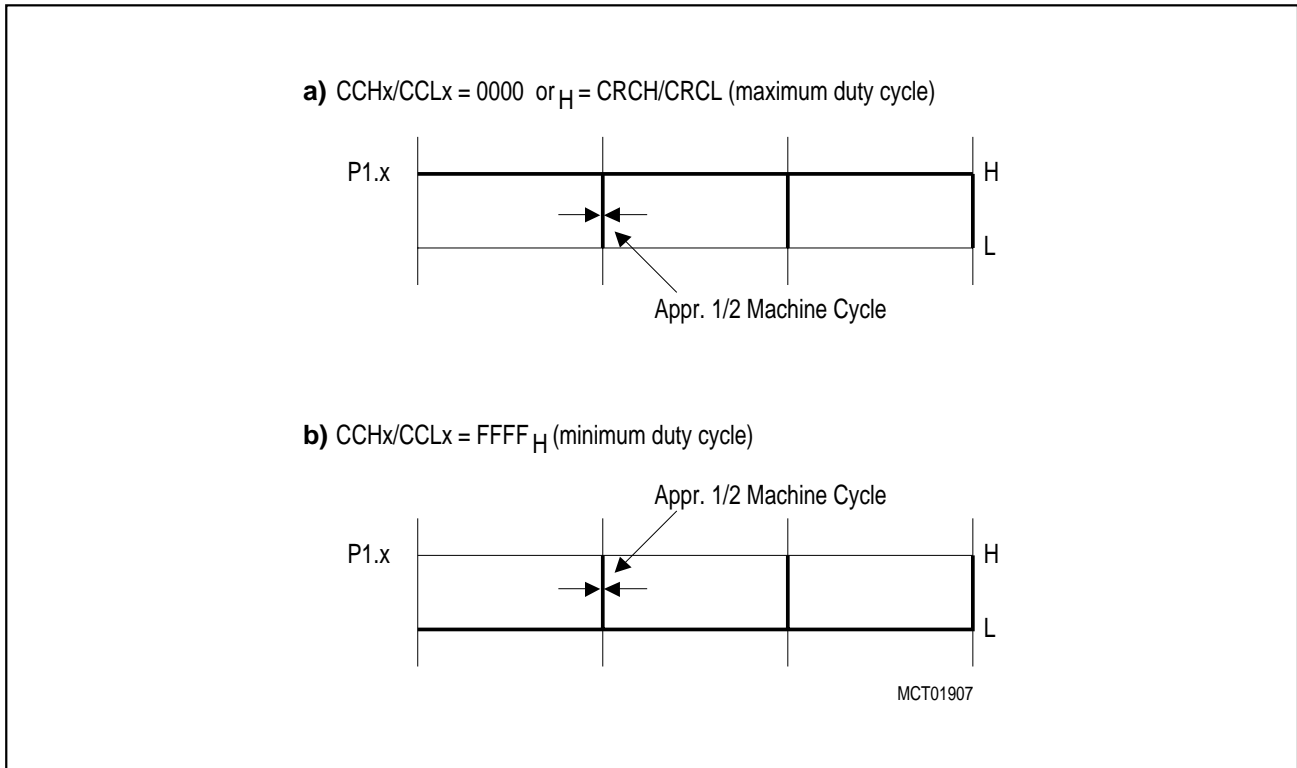


Figure 6-24
Modulation Range of a PWM Signal, generated with a Timer 2/CCx Register Combination in Compare Mode 0*

The following example shows how to calculate the modulation range for a PWM signal. To calculate with reasonable numbers, a reduction of the resolution to 8-bit is used. Otherwise (for the maximum resolution of 16-bit) the modulation range would be so severely limited that it would be negligible.

Example:

Timer 2 in auto-reload mode; contents of reload register CRC = FF00_H

$$\text{Restriction of modulation range} = 1 / 256 \times 2 \times 100\% = 0.195\%$$

This leads to a variation of the duty cycle from 0.195% to 99.805% for a timer 2/CCx register configuration when 8 of 16 bits are used.

6.2.2.3.3 Compare Mode 1

In compare mode 1, the software adaptively determines the transition of the output signal. It is commonly used when output signals are not related to a constant signal period (as in a standard PWM Generation) but must be controlled very precisely with high resolution and without jitter. In compare mode 1, both transitions of a signal can be controlled. Compare outputs in this mode can be regarded as high speed outputs which are independent of the CPU activity.

If compare mode 1 is enabled and the software writes to the appropriate output latch at the port, the new value will not appear at the output pin until the next compare match occurs. Thus, one can choose whether the output signal is to make a new transition (1-to-0 or 0-to-1, depending on the actual pin level) or should keep its old value at the time the timer 2 count matches the stored compare value.

Figure 6-25 and **figure 6-26** show functional diagrams of the timer/compare register/port latch configuration in compare mode 1. In this function, the port latch consists of two separate latches. The upper latch (which acts as a “shadow latch”) can be written under software control, but its value will only be transferred to the output latch (and thus to the port pin) in response to a compare match.

Note that the double latch structure is transparent as long as the internal compare signal is active. While the compare signal is active, a write operation to the port will then change both latches. This may become important when driving timer 2 with a slow external clock. In this case the compare signal could be active for many machine cycles in which the CPU could unintentionally change the contents of the port latch.

A read-modify-write instruction will read the user-controlled „shadow latch“ and write the modified value back to this “shadow-latch“. A standard read instruction will - as usual - read the pin of the corresponding compare output.

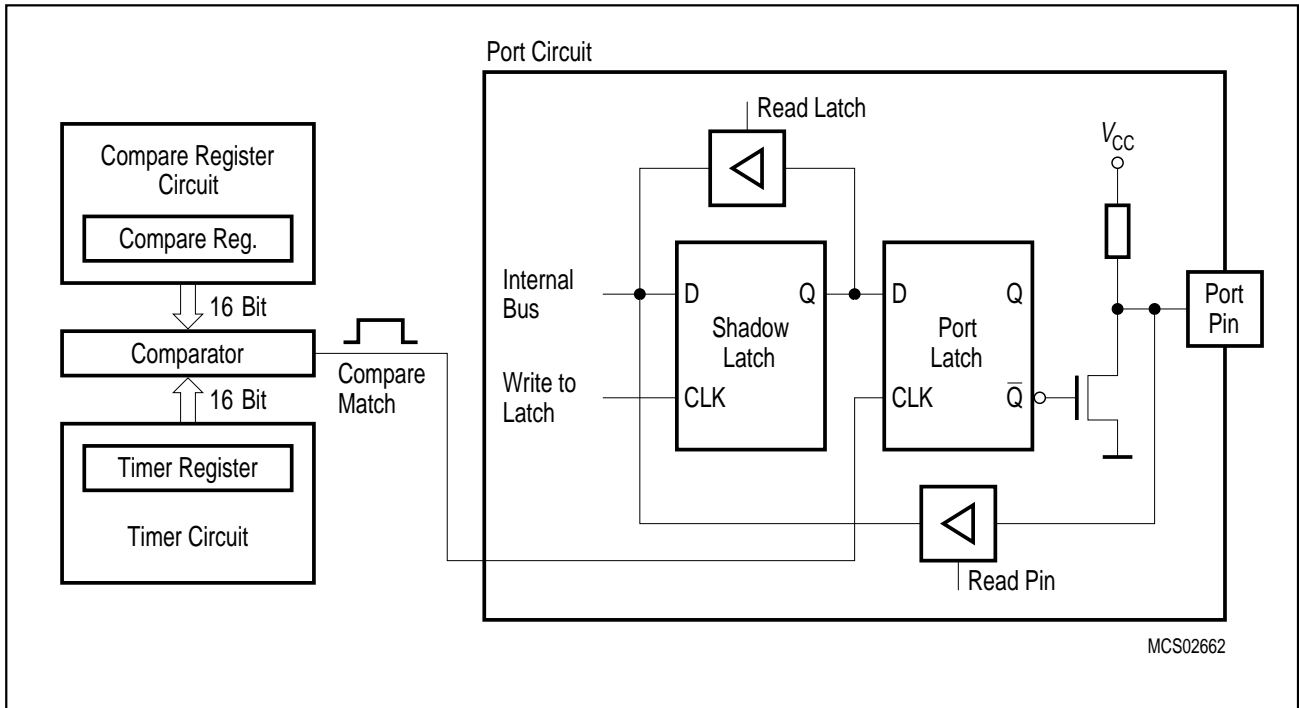


Figure 6-25
Port Latch in Compare Mode 1

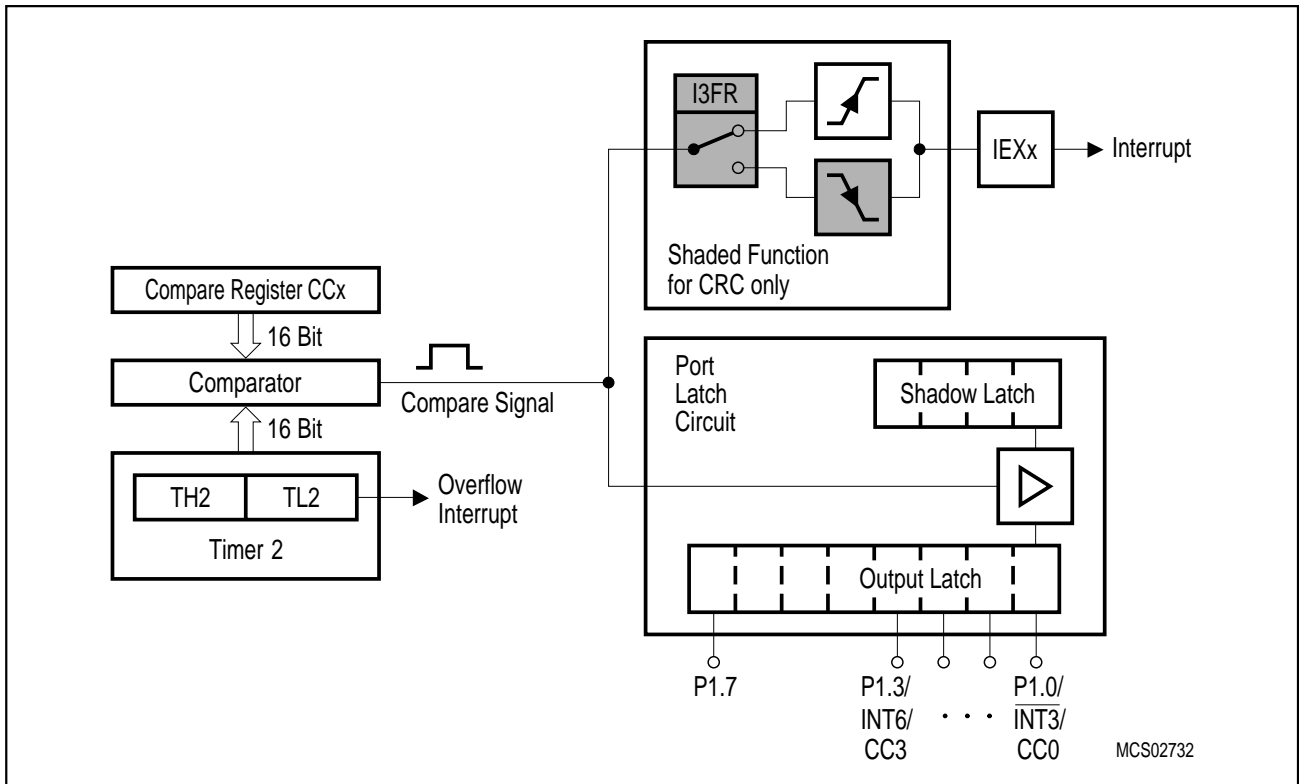


Figure 6-26
Timer 2 with Registers CCx in Compare Mode 1

(CCx stands for CRC, CC1 to CC3, IEXx stands for IEX3 to IEX6)

6.2.2.4 Using Interrupts in Combination with the Compare Function

The compare service of registers CRC, CC1, CC2 and CC3 is assigned to alternate output functions at port pins P1.0 to P1.3. Another option of these pins is that they can be used as external interrupt inputs. However, when using the port lines as compare outputs then the input line from the port pin to the interrupt system is disconnected (but the pin's level can still be read under software control). Thus, a change of the pin's level will not cause a setting of the corresponding interrupt flag. In this case, the interrupt input is directly connected to the (internal) compare signal thus providing a compare interrupt.

The compare interrupt can be used very effectively to change the contents of the compare registers or to determine the level of the port outputs for the next "compare match". The principle is, that the internal compare signal (generated at a match between timer count and register contents) not only manipulates the compare output but also sets the corresponding interrupt request flag. Thus, the current task of the CPU is interrupted - of course provided the priority of the compare interrupt is higher than the present task priority - and the corresponding interrupt service routine is called. This service routine then sets up all the necessary parameters for the next compare event.

Advantages when using compare interrupts

Firstly, there is no danger of unintentional overwriting a compare register before a match has been reached. This could happen when the CPU writes to the compare register without knowing about the actual timer 2 count.

Secondly, and this is the most interesting advantage of the compare feature, the output pin is exclusively controlled by hardware therefore completely independent from any service delay which in real time applications could be disastrous. The compare interrupt in turn is not sensitive to such delays since it loads the parameters for the next event. This in turn is supposed to happen after a sufficient space of time.

Please note two special cases where a program using compare interrupts could show a "surprising" behavior:

The first configuration has already been mentioned in the description of compare mode 1. The fact that the compare interrupts are transition activated becomes important when driving timer 2 with a slow external clock. In this case it should be carefully considered that the compare signal is active as long as the timer 2 count is equal to the contents of the corresponding compare register, and that the compare signal has a rising and a falling edge. Furthermore, the "shadow latches" used in compare mode 1 are transparent while the compare signal is active.

Thus, with a slow input clock for timer 2, the comparator signal is active for a long time (= high number of machine cycles) and therefore a fast interrupt controlled reload of the compare register could not only change the "shadow latch" - as probably intended - but also the output buffer.

When using the CRC, you can select whether an interrupt should be generated when the compare signal goes active or inactive, depending on the status of bit I3FR in T2CON.

Initializing the interrupt to be negative transition triggered is advisable in the above case. Then the compare signal is already inactive and any write access to the port latch just changes the contents of the "shadow-latch".

Please note that for CC registers 1 to 3 an interrupt is always requested when the compare signal goes active.

The second configuration which should be noted is when compare function is combined with negative transition activated interrupts. If the port latch of port P1.0 contains a 1, the interrupt request flags IEX3 will immediately be set after enabling the compare mode for the CRC register. The reason is that first the external interrupt input is controlled by the pin's level. When the compare option is enabled the interrupt logic input is switched to the internal compare signal, which carries a low level when no true comparison is detected. So the interrupt logic sees a 1-to-0 edge and sets the interrupt request flag.

An unintentional generation of an interrupt during compare initialization can be prevented if the request flag is cleared by software after the compare is activated and before the external interrupt is enabled.

6.2.2.5 Capture Function

Each of the three compare/capture registers CC1 to CC3 and the CRC register can be used to latch the current 16-bit value of the timer 2 registers TL2 and TH2. Two different modes are provided for this function. In mode 0, an external event latches the timer 2 contents to a dedicated capture register. In mode 1, a capture will occur upon writing to the low order byte of the dedicated 16-bit capture register. This mode is provided to allow the software to read the timer 2 contents “on-the-fly”.

In mode 0, the external event causing a capture is :

- for CC registers 1 to 3: a positive transition at pins CC1 to CC3 of port 1
- for the CRC register: a positive or negative transition at the corresponding pin, depending on the status of the bit I3FR in SFR T2CON. If the edge flag is cleared, a capture occurs in response to a negative transition; If the edge flag is set a capture occurs in response to a positive transition at pin P1.0 / $\overline{\text{INT3}}$ / CC0.

In both cases the appropriate port 1 pin is used as input and the port latch must be programmed to contain a one (1). The external input is sampled in every machine cycle. When the sampled input shows a low (high) level in one cycle and a high (low) in the next cycle, a transition is recognized. The timer 2 contents is latched to the appropriate capture register in the cycle following the one in which the transition was identified.

In mode 0 a transition at the external capture inputs of registers CC1 to CC3 will also set the corresponding external interrupt request flags IEX3 to IEX6. If the interrupts are enabled, an external capture signal will cause the CPU to vector to the appropriate interrupt service routine.

In mode 1 a capture occurs in response to a write instruction to the low order byte of a capture register. The write-to-register signal (e.g. write-to-CRCL) is used to initiate a capture. The value written to the dedicated capture register is irrelevant for this function. The timer 2 contents will be latched into the appropriate capture register in the cycle following the write instruction. In this mode no interrupt request will be generated.

Figures 6-27 and **6-28** show functional diagrams of the capture function of timer 2. **Figure 6-27** illustrates the operation of the CRC register, while **figure 6-28** shows the operation of the compare/capture registers 1 to 3.

The two capture modes can be established individually for each capture register by bits in SFR CCEN (compare/capture enable register). That means, in contrast to the compare modes, it is possible to simultaneously select mode 0 for one capture register and mode 1 for another register.

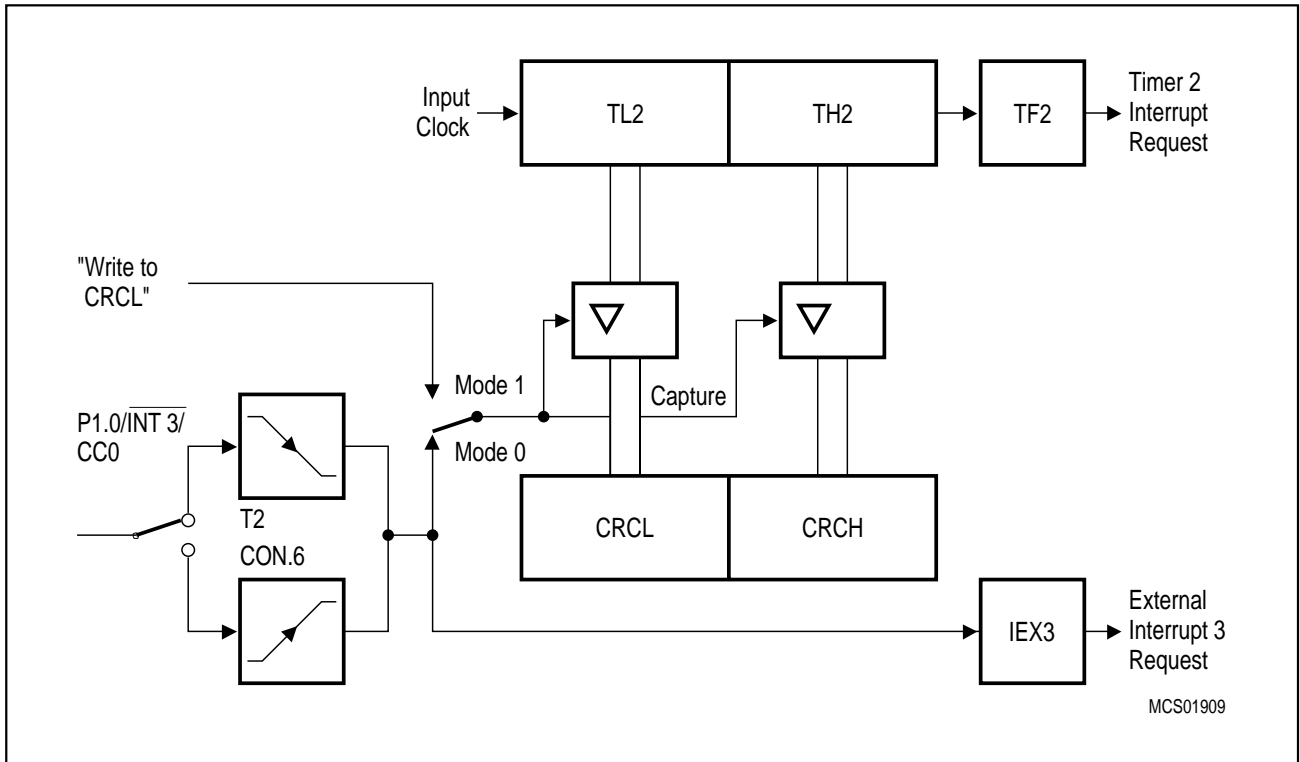


Figure 6-27
Timer 2 - Capture with Register CRC

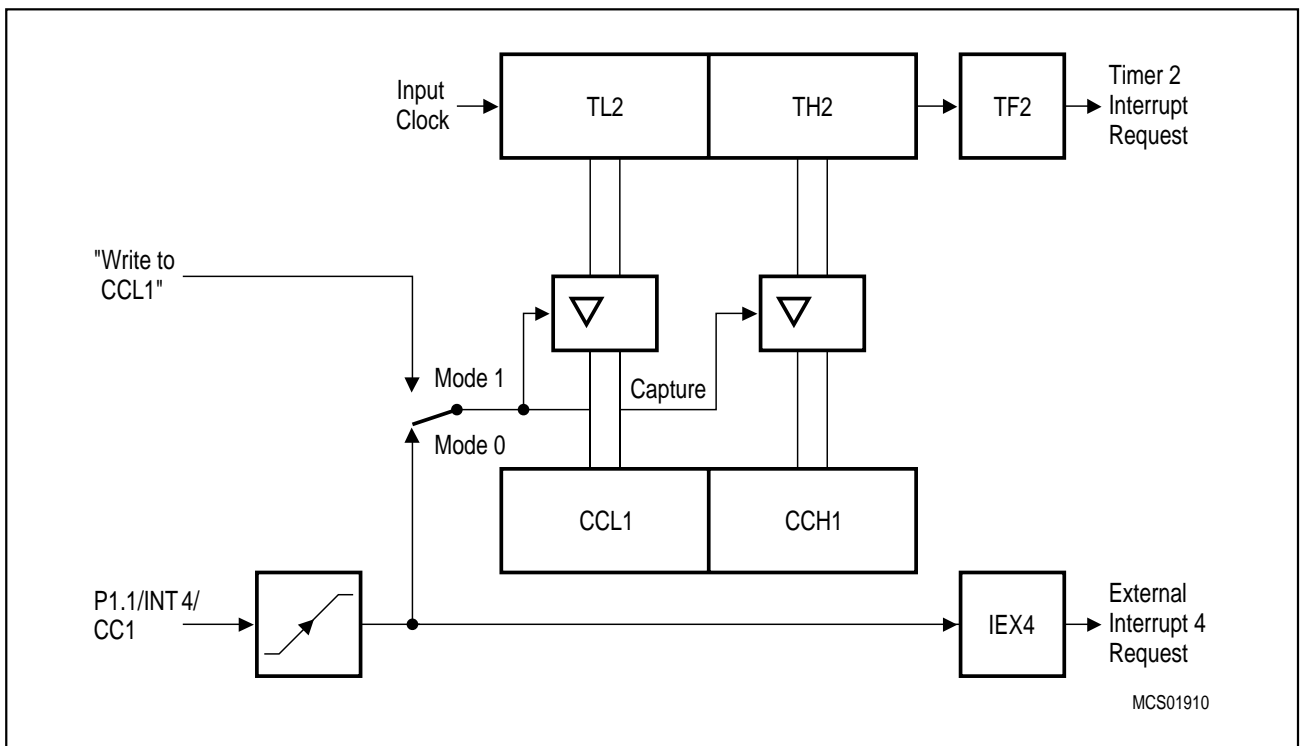


Figure 6-28
Timer 2 - Capture with Registers CC1 to CC3

6.3 Serial Interface

The serial port of the C515C is full duplex, meaning it can transmit and receive simultaneously. It is also receive-buffered, meaning it can commence reception of a second byte before a previously received byte has been read from the receive register (however, if the first byte still hasn't been read by the time reception of the second byte is complete, one of the bytes will be lost). The serial port receive and transmit registers are both accessed at special function register SBUF. Writing to SBUF loads the transmit register, and reading SBUF accesses a physically separate receive register.

The serial port can operate in 4 modes (one synchronous mode, three asynchronous modes). The baud rate clock for the serial port is derived from the oscillator frequency (mode 0, 2) or generated either by timer 1 or by a dedicated baud rate generator (mode 1, 3).

Mode 0, Shift Register (Synchronous) Mode:

Serial data enters and exits through RXD. TXD outputs the shift clock. 8 data bits are transmitted/received: (LSB first). The baud rate is fixed at 1/6 of the oscillator frequency. (See section 6.3.4 for more detailed information)

Mode 1, 8-Bit USART, Variable Baud Rate:

10 bits are transmitted (through TXD) or received (through RXD): a start bit (0), 8 data bits (LSB first), and a stop bit (1). On receive, the stop bit goes into RB8 in special function register SCON. The baud rate is variable. (See section 6.3.5 for more detailed information)

Mode 2, 9-Bit USART, Fixed Baud Rate:

11 bits are transmitted (through TXD) or received (through RXD): a start bit (0), 8 data bits (LSB first), a programmable 9th bit, and a stop bit (1). On transmit, the 9th data bit (TB8 in SCON) can be assigned to the value of 0 or 1. Or, for example, the parity bit (P, in the PSW) could be moved into TB8. On receive, the 9th data bit goes into RB8 in special function register SCON, while the stop bit is ignored. The baud rate is programmable to either 1/16 or 1/32 of the oscillator frequency. (See section 6.3.6 for more detailed information)

Mode 3, 9-Bit USART, Variable Baud Rate:

11 bits are transmitted (through TXD) or received (through RXD): a start bit (0), 8 data bits (LSB first), a programmable 9th data bit, and a stop bit (1). In fact, mode 3 is the same as mode 2 in all respects except the baud rate. The baud rate in mode 3 is variable. (See section 6.3.6 for more detailed information)

In all four modes, transmission is initiated by any instruction that uses SBUF as a destination register. Reception is initiated in mode 0 by the condition $RI = 0$ and $REN = 1$. Reception is initiated in the other modes by the incoming start bit if $REN = 1$. The serial interfaces also provide interrupt requests when a transmission or a reception of a frame has completed. The corresponding interrupt request flags for serial interface 0 are TI or RI, resp. See chapter 7 of this user manual for more details about the interrupt structure. The interrupt request flags TI and RI can also be used for polling the serial interface 0 if the serial interrupt is not to be used (i.e. serial interrupt 0 not enabled).

6.3.1 Multiprocessor Communication

Modes 2 and 3 have a special provision for multiprocessor communications. In these modes, 9 data bits are received. The 9th one goes into RB8. Then comes a stop bit. The port can be programmed such that when the stop bit is received, the serial port interrupt will be activated only if RB8 = 1. This feature is enabled by setting bit SM2 in SCON. A way to use this feature in multiprocessor systems is as follows.

When the master processor wants to transmit a block of data to one of several slaves, it first sends out an address byte which identifies the target slave. An address byte differs from a data byte in that the 9th bit is 1 in an address byte and 0 in a data byte. With SM2 = 1, no slave will be interrupted by a data byte. An address byte, however, will interrupt all slaves, so that each slave can examine the received byte and see if it is being addressed. The addressed slave will clear its SM2 bit and prepare to receive the data bytes that will be coming. The slaves that weren't being addressed leave their SM2s set and go on about their business, ignoring the incoming data bytes.

SM2 has no effect in mode 0. SM2 can be used in mode 1 to check the validity of the stop bit. In a mode 1 reception, if SM2 = 1, the receive interrupt will not be activated unless a valid stop bit is received.

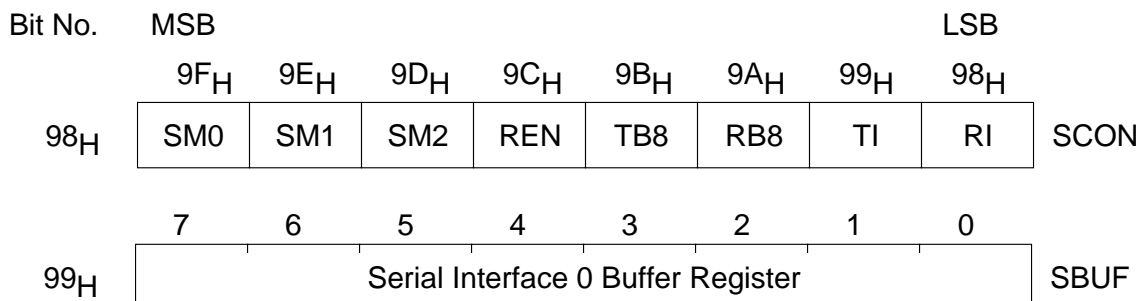
6.3.2 Serial Port Registers

The serial port control and status register is the special function register SCON. This register contains not only the mode selection bits, but also the 9th data bit for transmit and receive (TB8 and RB8), and the serial port interrupt bits (TI and RI).

SBUF is the receive and transmit buffer of serial interface 0. Writing to SBUF loads the transmit register and initiates transmission. Reading out SBUF accesses a physically separate receive register.

Special Function Register SCON (Address 98_H)
Special Function Register SBUF (Address 99_H)

Reset Value : 00_H
Reset Value : XX_H



Bit	Function															
SM0 SM1	Serial port 0 operating mode selection bits <table border="1" style="width: 100%; border-collapse: collapse; margin-top: 5px;"> <thead> <tr> <th style="width: 15%;">SM0</th> <th style="width: 15%;">SM1</th> <th style="width: 70%;">Selected operating mode</th> </tr> </thead> <tbody> <tr> <td style="text-align: center;">0</td> <td style="text-align: center;">0</td> <td>Serial mode 0 : Shift register, fixed baud rate ($f_{osc}/6$)</td> </tr> <tr> <td style="text-align: center;">0</td> <td style="text-align: center;">1</td> <td>Serial mode 1 : 8-bit UART, variable baud rate</td> </tr> <tr> <td style="text-align: center;">1</td> <td style="text-align: center;">0</td> <td>Serial mode 2 : 9-bit UART, fixed baud rate ($f_{osc}/16$ or $f_{osc}/32$)</td> </tr> <tr> <td style="text-align: center;">1</td> <td style="text-align: center;">1</td> <td>Serial mode 3 : 9-bit UART, variable baud rate</td> </tr> </tbody> </table>	SM0	SM1	Selected operating mode	0	0	Serial mode 0 : Shift register, fixed baud rate ($f_{osc}/6$)	0	1	Serial mode 1 : 8-bit UART, variable baud rate	1	0	Serial mode 2 : 9-bit UART, fixed baud rate ($f_{osc}/16$ or $f_{osc}/32$)	1	1	Serial mode 3 : 9-bit UART, variable baud rate
SM0	SM1	Selected operating mode														
0	0	Serial mode 0 : Shift register, fixed baud rate ($f_{osc}/6$)														
0	1	Serial mode 1 : 8-bit UART, variable baud rate														
1	0	Serial mode 2 : 9-bit UART, fixed baud rate ($f_{osc}/16$ or $f_{osc}/32$)														
1	1	Serial mode 3 : 9-bit UART, variable baud rate														
SM2	Enable serial port multiprocessor communication in modes 2 and 3 In mode 2 or 3, if SM2 is set to 1 then RI0 will not be activated if the received 9th data bit (RB8) is 0. In mode 1, if SM2 = 1 then RI will not be activated if a valid stop bit was not received. In mode 0, SM2 should be 0.															
REN	Enable receiver of serial port 0 Enables serial reception. Set by software to enable serial reception. Cleared by software to disable serial reception.															
TB8	Serial port transmitter bit 9 TB8 is the 9th data bit that will be transmitted in modes 2 and 3. Set or cleared by software as desired.															
RB8	Serial port receiver bit 9 In modes 2 and 3, RB8 is the 9th data bit that was received. In mode 1, if SM2 = 0, RB8 is the stop bit that was received. In mode 0, RB8 is not used.															
TI	Serial port transmitter interrupt flag TI is set by hardware at the end of the 8th bit time in mode 0, or at the beginning of the stop bit in the other modes, in any serial transmission. TI must be cleared by software.															
RI	Serial port receiver interrupt flag RI is set by hardware at the end of the 8th bit time in mode 0, or halfway through the stop bit time in the other modes, in any serial reception (exception see SM2). RI must be cleared by software.															

6.3.3 Baud Rate Generation

There are several possibilities to generate the baud rate clock for the serial port depending on the mode in which it is operating.

For clarification some terms regarding the difference between "baud rate clock" and "baud rate" should be mentioned. The serial interface requires a clock rate which is 16 times the baud rate for internal synchronization. Therefore, the baud rate generators have to provide a "baud rate clock" to the serial interface which - there divided by 16 - results in the actual "baud rate". However, all formulas given in the following section already include the factor and calculate the final baud rate. Further, the abbreviation f_{OSC} refers to the external clock frequency (oscillator or external input clock operation).

The baud rate of the serial port is controlled by two bits which are located in the special function registers as shown below.

Special Function Register ADCON0 (Address D8_H) **Reset Value : 00_H**
Special Function Register PCON (Address 87_H) **Reset Value : 00_H**

Bit No.	MSB							LSB	
	DF _H	DE _H	DD _H	DC _H	DB _H	DA _H	D9 _H	D8 _H	
D8 _H	BD	CLK	ADEX	BSY	ADM	MX2	MX1	MX0	ADCON0
	7	6	5	4	3	2	1	0	
87 _H	SMOD	PDS	IDLS	SD	GF1	GF0	PDE	IDLE	PCON

The shaded bits are not used in controlling the serial port baud rate.

Bit	Function
BD	Baud rate generator enable When set, the baud rate of serial interface 0 is derived from the dedicated baud rate generator. When cleared (default after reset), baud rate is derived from the timer 1 overflow rate.
SMOD	Double baud rate When set, the baud rate of serial interface 0 in modes 1, 2, 3 is doubled. After reset this bit is cleared.

Figure 6-29 shows the configuration for the baud rate generation of the serial port.

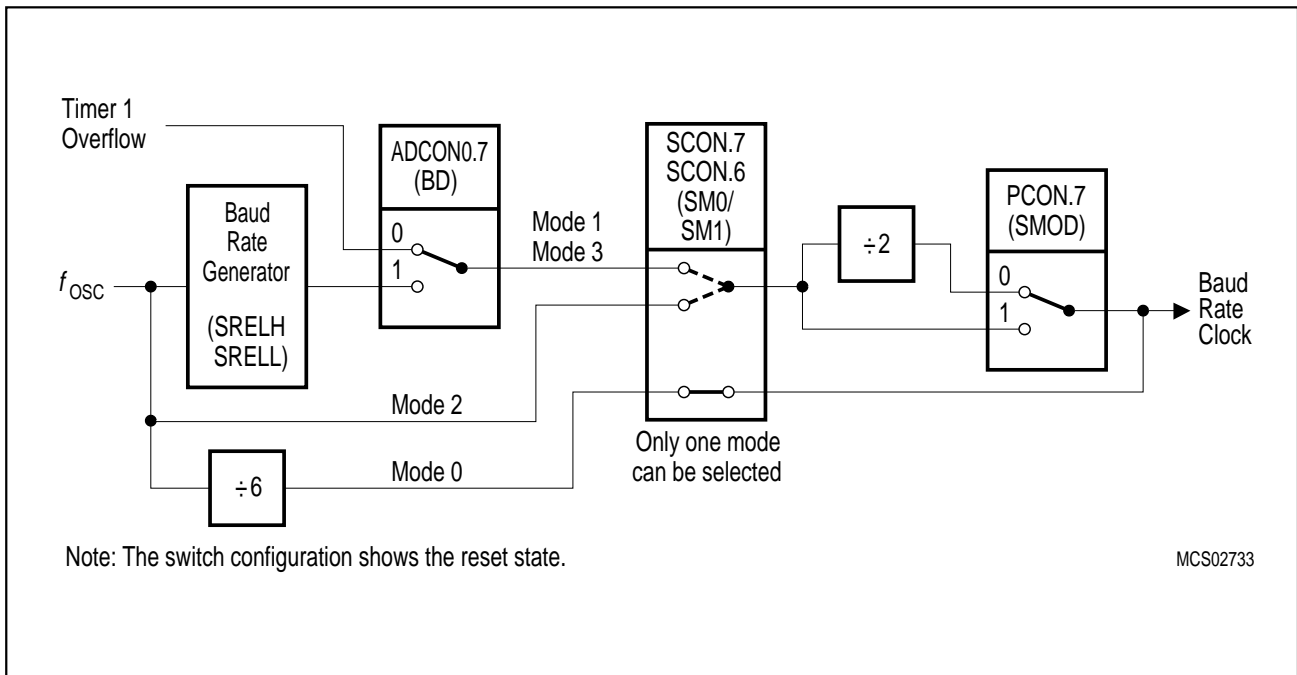


Figure 6-29
Baud Rate Generation for the Serial Port

Depending on the programmed operating mode different paths are selected for the baud rate clock generation. **Figure 6-29** shows the dependencies of the serial port 0 baud rate clock generation from the two control bits and from the mode which is selected in the special function register S0CON.

6.3.3.1 Baud Rate in Mode 0

The baud rate in mode 0 is fixed to :

$$\text{Mode 0 baud rate} = \frac{\text{oscillator frequency}}{6}$$

6.3.3.2 Baud Rate in Mode 2

The baud rate in mode 2 depends on the value of bit SMOD in special function register PCON. If SMOD = 0 (which is the value after reset), the baud rate is 1/32 of the oscillator frequency. If SMOD = 1, the baud rate is 1/16 of the oscillator frequency.

$$\text{Mode 2 baud rate} = \frac{2^{SMOD}}{32} \times \text{oscillator frequency}$$

6.3.3.3 Baud Rate in Mode 1 and 3

In these modes the baud rate is variable and can be generated alternatively by a baud rate generator or by timer 1.

6.3.3.3.1 Using the Internal Baud Rate Generator

In modes 1 and 3, the C515C can use an internal baud rate generator for the serial port. To enable this feature, bit BD (bit 7 of special function register ADCON0) must be set. Bit SMOD (PCON.7) controls a divide-by-2 circuit which affect the input and output clock signal of the baud rate generator. After reset the divide-by-2 circuit is active and the resulting overflow output clock will be divided by 2. The input clock of the baud rate generator is f_{osc} .

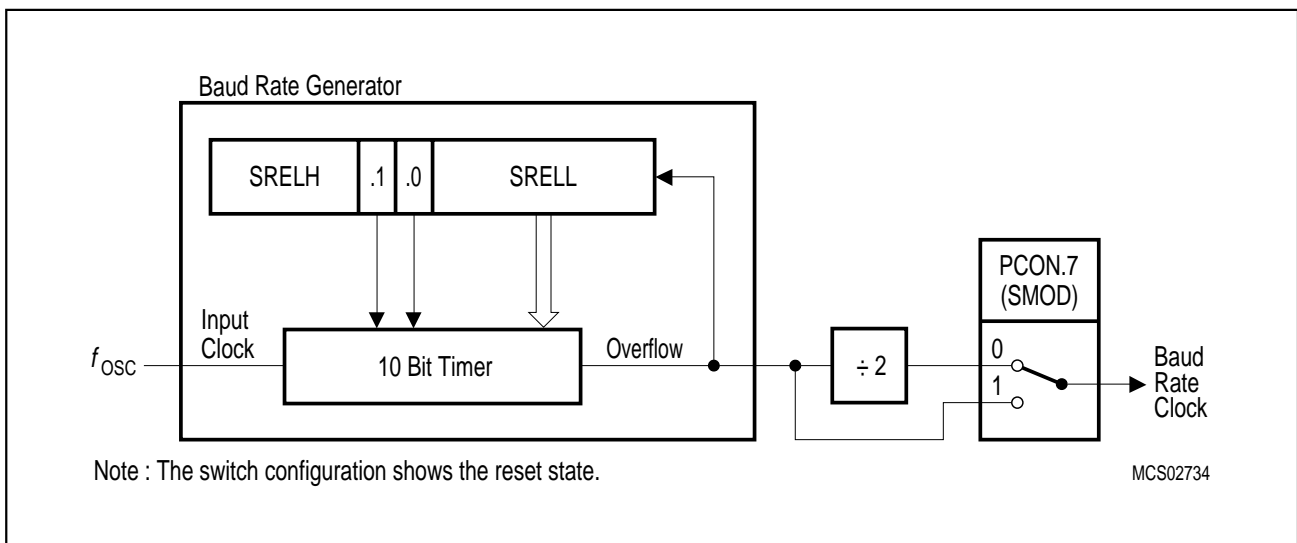


Figure 6-30
Serial Port Input Clock when using the Baud Rate Generator

The baud rate generator consists of a free running upward counting 10-bit timer. On overflow of this timer (next count step after counter value $3FF_H$) there is an automatic 10-bit reload from the registers SRELL and SRELH. The lower 8 bits of the timer are reloaded from SRELL, while the upper two bits are reloaded from bit 0 and 1 of register SRELH. The baud rate timer is reloaded by writing to SRELL.

Special Function Register SRELH (Address BA_H)
Special Function Register SRELL (Address AA_H)

Reset Value : XXXXXX11_B
Reset Value : D9_H

Bit No.	MSB							LSB		
	7	6	5	4	3	2	1	0		
BA _H	-	-	-	-	-	-	MSB .9	.8	SRELH	
AA _H	.7	.6	.5	.4	.3	.2	.1	LSB .0	SRELL	

The shaded bits are don't care for reload operation.

Bit	Function
SRELH.0-1	Baudrate generator reload high value Upper two bits of the baudrate timer reload value.
SRELL.0-7	Baudrate generator reload low value Lower 8 bits of the baudrate timer reload value.

After reset SRELH and SRELL have a reload value of 3D9_H. With this reload value the baud rate generator has an overflow rate of input clock / 39. With a 6 MHz oscillator frequency, the commonly used baud rates 4800 baud (SMOD = 0) and 9600 baud (SMOD = 1) are available (with 0.16 % deviation).

With the baud rate generator as clock source for the serial port in mode 1 and 3, the baud rate of can be determined as follows:

$$\text{Mode 1, 3 baud rate} = \frac{2^{\text{SMOD}} \times \text{oscillator frequency}}{32 \times (\text{baud rate generator overflow rate})}$$

$$\text{Baud rate generator overflow rate} = 2^{10} - \text{SREL}$$

with SREL = SRELH.1 – 0, SRELL.7 – 0

6.3.3.3.2 Using Timer 1 to Generate Baud Rates

In mode 1 and 3 of the serial port also timer 1 can be used for generating baud rates. Then the baud rate is determined by the timer 1 overflow rate and the value of SMOD as follows:

$$\text{Mode 1, 3 baud rate} = \frac{2^{\text{SMOD}}}{32} \times (\text{timer 1 overflow rate})$$

The timer 1 interrupt is usually disabled in this application. Timer 1 itself can be configured for either "timer" or "counter" operation, and in any of its operating modes. In most typical applications, it is configured for "timer" operation in the auto-reload mode (high nibble of TMOD = 0010_B). In this case the baud rate is given by the formula:

$$\text{Mode 1, 3 baud rate} = \frac{2^{\text{SMOD}} \times \text{oscillator frequency}}{32 \times 6 \times (256 - (\text{TH1}))}$$

Very low baud rates can be achieved with timer 1 if leaving the timer 1 interrupt enabled, configuring the timer to run as 16-bit timer (high nibble of TMOD = 0001_B), and using the timer 1 interrupt for a 16-bit software reload.

6.3.4 Details about Mode 0

Serial data enters and exists through RXD. TXD outputs the shift clock. 8 data bits are transmitted/received: (LSB first). The baud rate is fixed at $f_{osc}/6$.

Figure 6-31 shows a simplified functional diagram of the serial port in mode 0. The associated timing is illustrated in **figure 6-32**.

Transmission is initiated by any instruction that uses SBUF as a destination register. The "WRITE to SBUF" signal at S6P2 also loads a 1 into the 9th position of the transmit shift register and tells the TX control block to commence a transmission. The internal timing is such that one full machine cycle will elapse between "WRITE to SBUF", and activation of SEND.

SEND enables the output of the shift register to the alternate output function line of P3.0, and also enables SHIFT CLOCK to the alternate output function line of P3.1. SHIFT CLOCK is low during S3, S4, and S5 of every machine cycle, and high during S6, S1 and S2. At S6P2 of every machine cycle in which SEND is active, the contents of the transmit shift register are shifted to the right one position.

As data bits shift out to the right, zeroes come in from the left. When the MSB of the data byte is at the output position of the shift register, then the 1 that was initially loaded into the 9th position, is just to the left of the MSB, and all positions to the left of that contain zeroes. This condition flags the TX control block to do one last shift and then deactivate SEND and set TI. Both of these actions occur at S1P1 of the 10th machine cycle after "WRITE to SBUF".

Reception is initiated by the condition REN = 1 and RI = 0. At S6P2 of the next machine cycle, the RX control unit writes the bits 1111 1110 to the receive shift register, and in the next clock phase activates RECEIVE.

RECEIVE enables SHIFT CLOCK to the alternate output function line of P3.1. SHIFT CLOCK makes transitions at S3P1 and S6P1 of every machine cycle. At S6P2 of every machine cycle in which RECEIVE is active, the contents of the receive shift register are shifted to the left one position. The value that comes in from the right is the value that was sampled at the P3.0 pin at S5P2 of the same machine cycle.

As data bit comes in from the right, 1s shift out to the left. When the 0 that was initially loaded into the rightmost position arrives at the leftmost position in the shift register, it flags the RX control block to do one last shift and load SBUF. At S1P1 of the 10th machine cycle after the write to SCON that cleared RI, RECEIVE is cleared and RI is set.

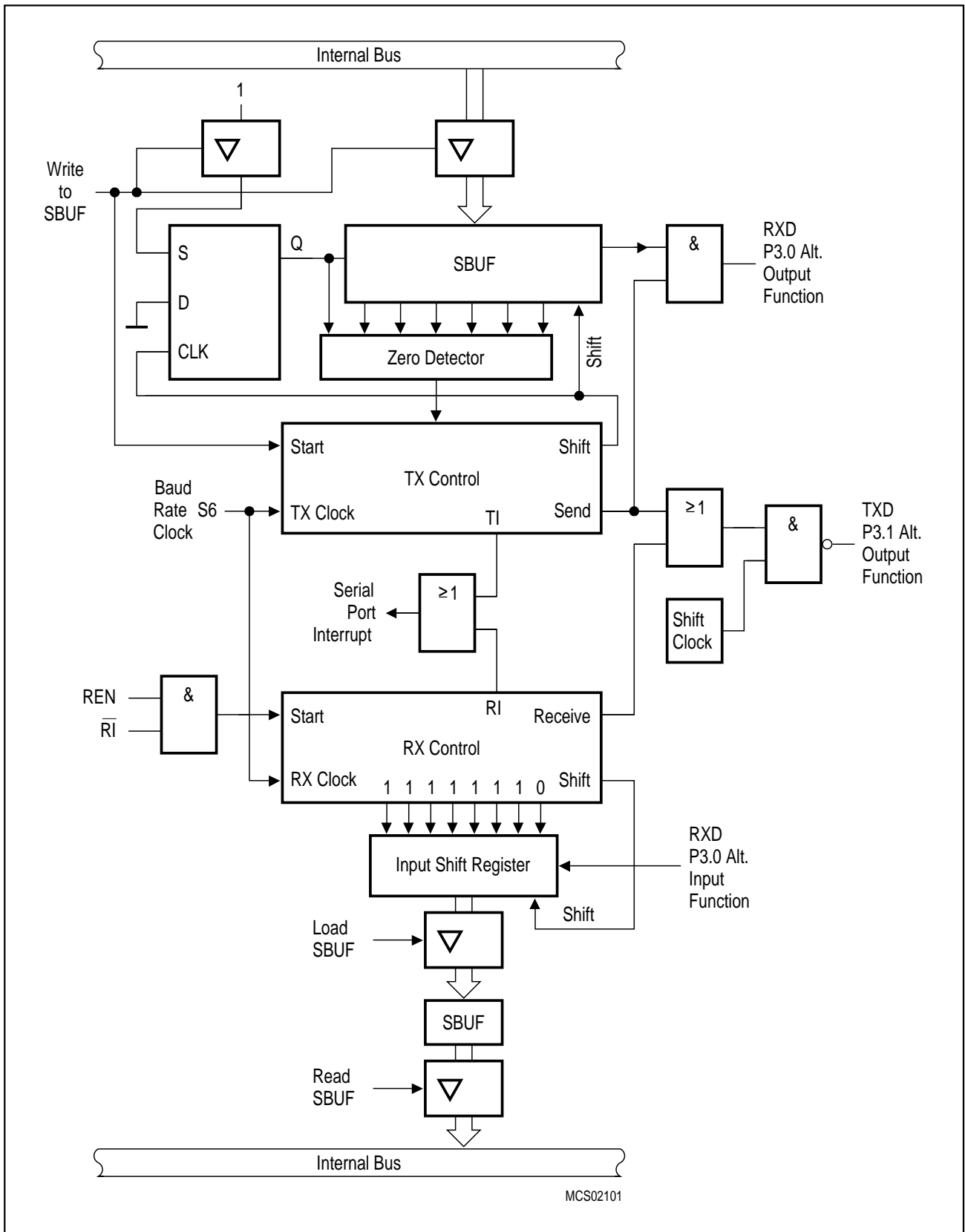
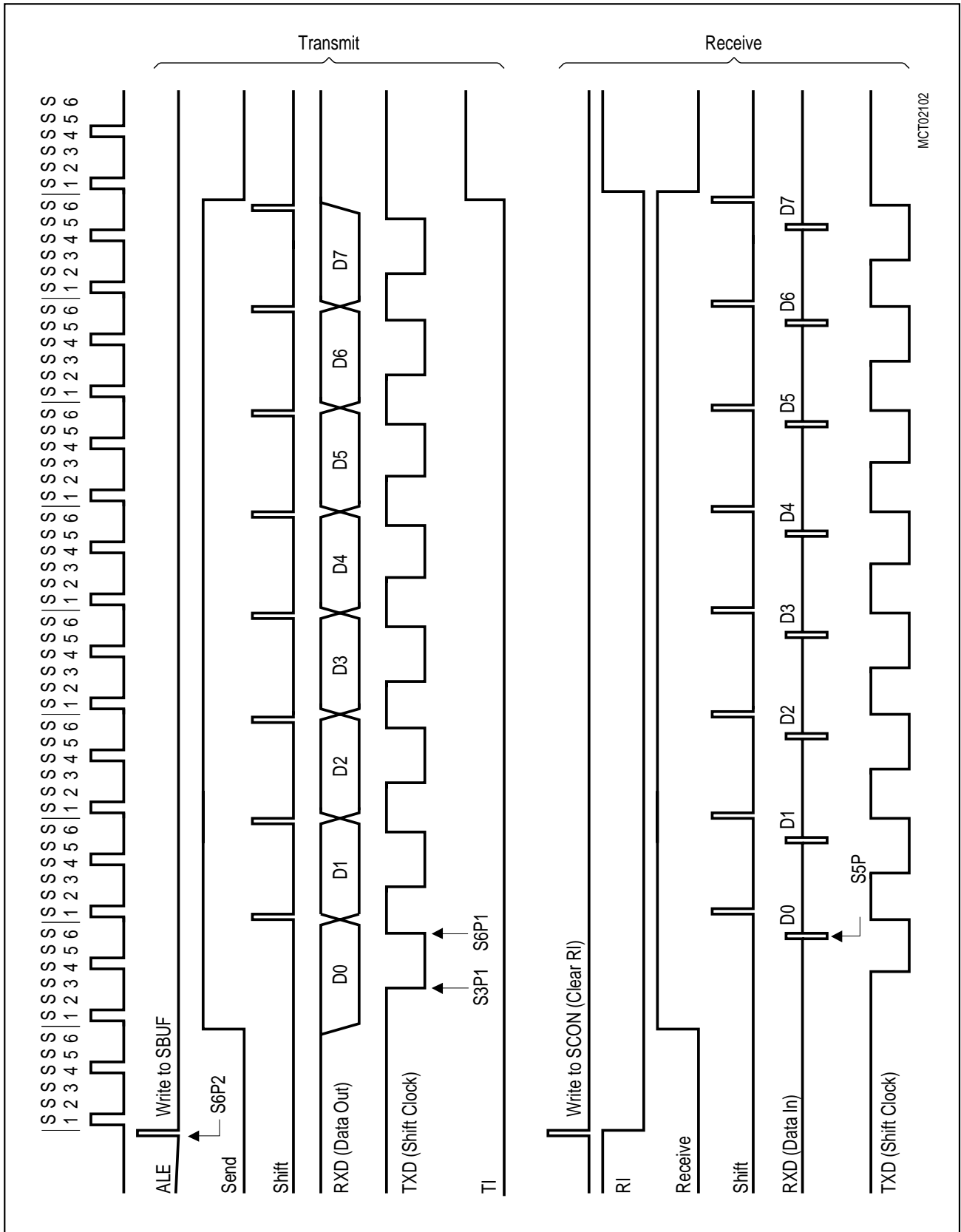


Figure 6-31
Serial Interface, Mode 0, Functional Diagram



MCT02102

Figure 6-32
Serial Interface, Mode 0, Timing Diagram

6.3.5 Details about Mode 1

Ten bits are transmitted (through TXD), or received (through RXD): a start bit (0), 8 data bits (LSB first), and a stop bit (1). On receive, the stop bit goes into RB8 in SCON. The baud rate is determined either by the timer 1 overflow rate or by the internal baud rate generator.

Figure 6-33 shows a simplified functional diagram of the serial port in mode 1. The associated timings for transmit/receive are illustrated in **figure 6-34**.

Transmission is initiated by an instruction that uses SBUF as a destination register. The "WRITE to SBUF" signal also loads a 1 into the 9th bit position of the transmit shift register and flags the TX control unit that a transmission is requested. Transmission starts at the next rollover in the divide-by-16 counter. (Thus, the bit times are synchronized to the divide-by-16 counter, not to the "WRITE to SBUF" signal).

The transmission begins with activation of $\overline{\text{SEND}}$, which puts the start bit at TXD. One bit time later, DATA is activated, which enables the output bit of the transmit shift register to TXD. The first shift pulse occurs one bit time after that.

As data bits shift out to the right, zeroes are clocked in from the left. When the MSB of the data byte is at the output position of the shift register, then the 1 that was initially loaded into the 9th position is just to the left of the MSB, and all positions to the left of that contain zeroes. This condition flags the TX control unit to do one last shift and then deactivate $\overline{\text{SEND}}$ and set TI. This occurs at the 10th divide-by-16 rollover after "WRITE to SBUF".

Reception is initiated by a detected 1-to-0 transition at RXD. For this purpose RXD is sampled at a rate of 16 times whatever baud rate has been established. When a transition is detected, the divide-by-16 counter is immediately reset, and 1FF_{H} is written into the input shift register, and reception of the rest of the frame will proceed.

The 16 states of the counter divide each bit time into 16ths. At the 7th, 8th and 9th counter states of each bit time, the bit detector samples the value of RXD. The value accepted is the value that was seen in at latest 2 of the 3 samples. This is done for the noise rejection. If the value accepted during the first bit time is not 0, the receive circuits are reset and the unit goes back to looking for another 1-to-0 transition. This is to provide rejection of false start bits. If the start bit proves valid, it is shifted into the input shift register, and reception of the rest of the frame will proceed.

As data bits come in from the right, 1s shift out to the left. When the start bit arrives at the leftmost position in the shift register, (which in mode 1 is a 9-bit register), it flags the RX control block to do one last shift, load SBUF and RB8, and set RI. The signal to load SBUF and RB8, and to set RI, will be generated if, and only if, the following conditions are met at the time the final shift pulse is generated.

- 1) RI = 0, and
- 2) either SM2 = 0, or the received stop bit = 1

If one of these two conditions is not met, the received frame is irretrievably lost. If both conditions are met, the stop bit goes into RB8, the 8 data bits go into SBUF, and RI is activated. At this time, whether the above conditions are met or not, the unit goes back to looking for a 1-to-0 transition in RXD.

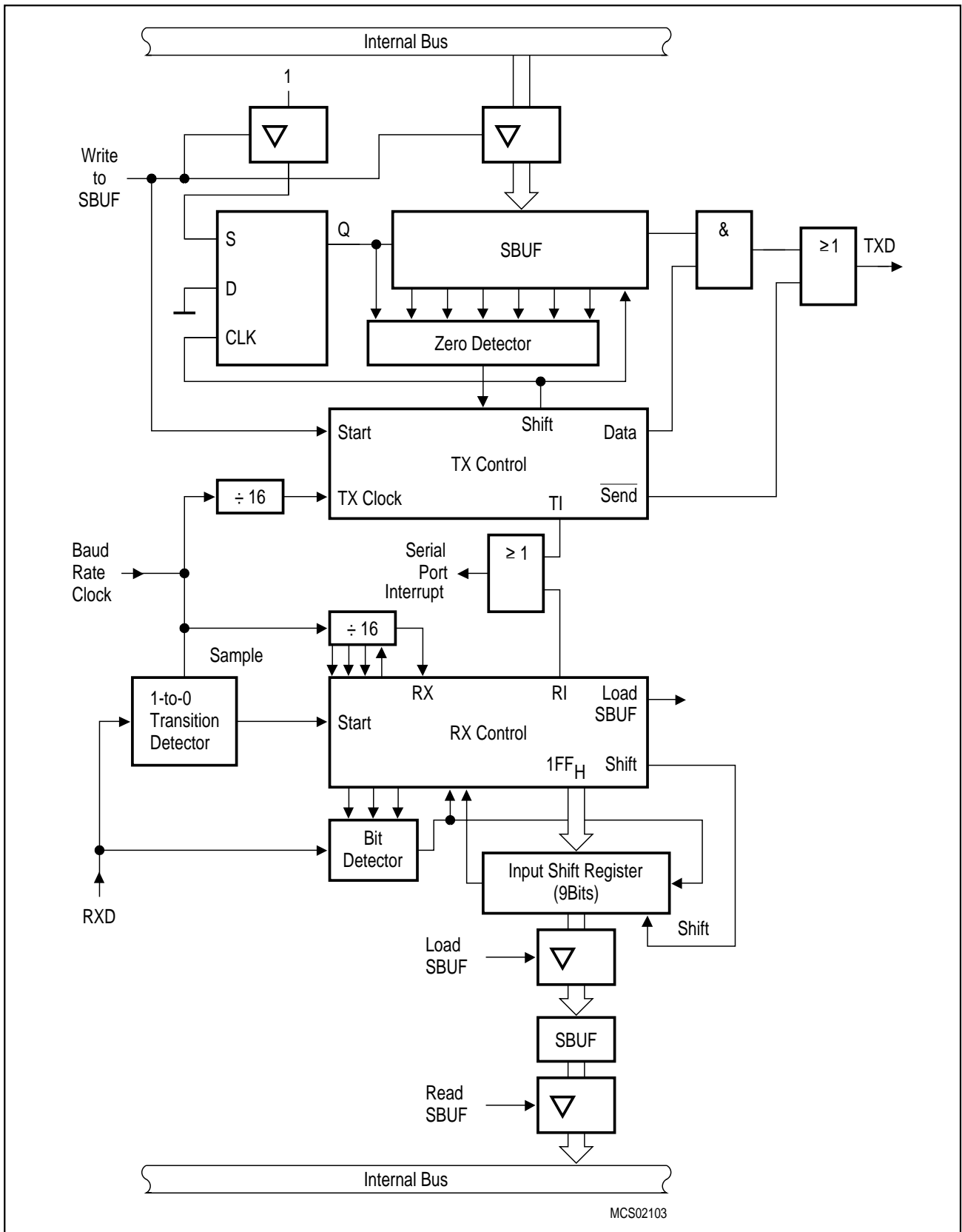


Figure 6-33
Serial Interface, Mode 1, Functional Diagram

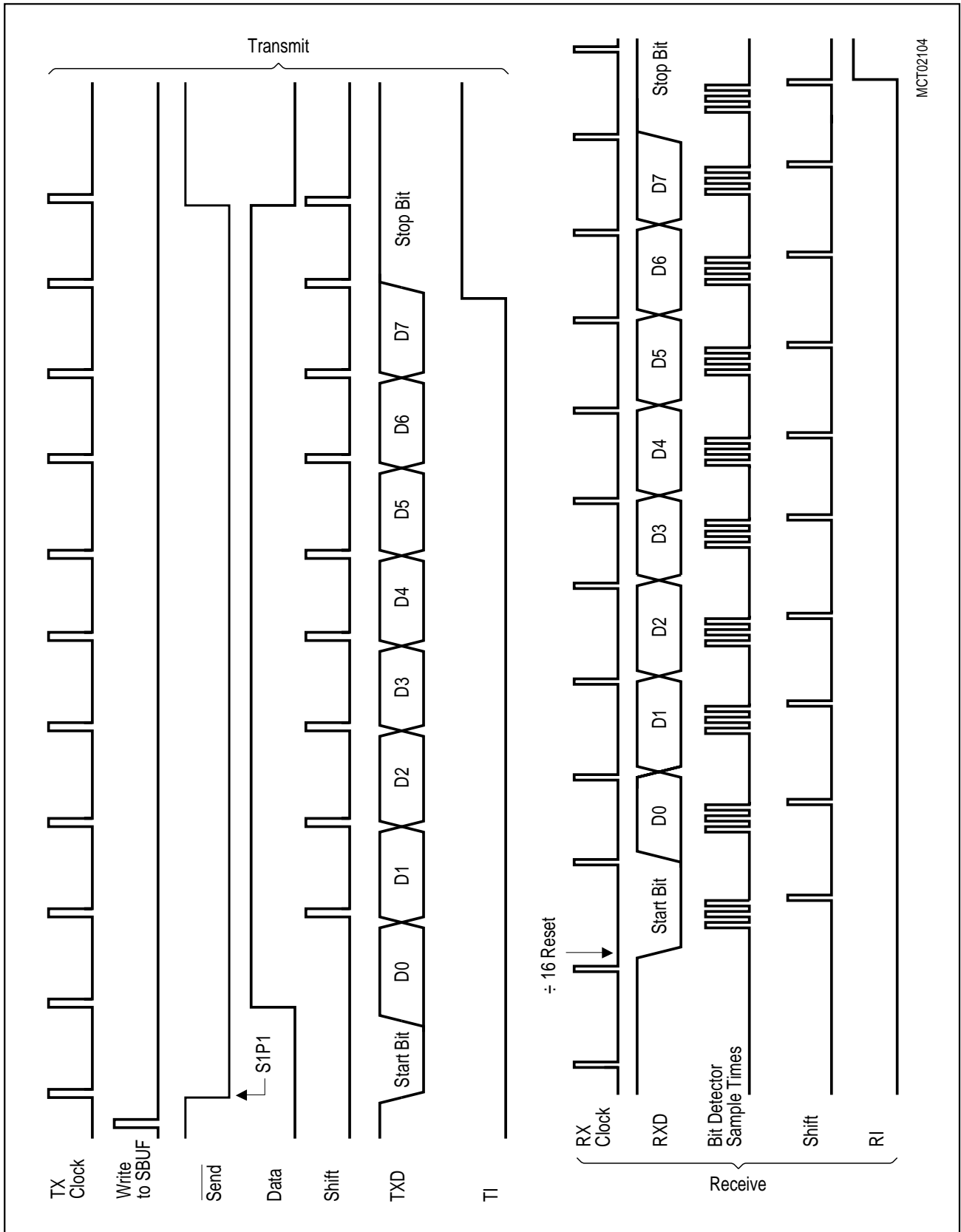


Figure 6-34
Serial Interface, Mode 1, Timing Diagram

6.3.6 Details about Modes 2 and 3

Eleven bits are transmitted (through TXD), or received (through RXD): a start bit (0), 8 data bits (LSB first), a programmable 9th data bit, and a stop bit (1). On transmit, the 9th data bit (TB8) can be assigned the value of 0 or 1. On receive, the 9th data bit goes into RB8 in SCON. The baud rate is programmable to either 1/16 or 1/32 the oscillator frequency in mode 2 (When bit SMOD in SFR PCON (87H) is set, the baud rate is $f_{OSC}/16$). In mode 3 the baud rate clock is generated by timer 1, which is incremented by a rate of $f_{OSC}/6$ or by the internal baud rate generator.

Figure 6-35 shows a functional diagram of the serial port in modes 2 and 3. The receive portion is exactly the same as in mode 1. The transmit portion differs from mode 1 only in the 9th bit of the transmit shift register. The associated timings for transmit/receive are illustrated in **figure 6-36**.

Transmission is initiated by any instruction that uses SBUF as a destination register. The "WRITE to SBUF" signal also loads TB8 into the 9th bit position of the transmit shift register and flags the TX control unit that a transmission is requested. Transmission starts at the next rollover in the divide-by-16 counter. (Thus, the bit times are synchronized to the divide-by-16 counter, not to the "WRITE to SBUF" signal.)

The transmission begins with activation of SEND, which puts the start bit at TXD. One bit time later, DATA is activated, which enables the output bit of the transmit shift register to TXD. The first shift pulse occurs one bit time after that. The first shift clocks a 1 (the stop bit) into the 9th bit position of the shift register. Thereafter, only zeroes are clocked in. Thus, as data bits shift out to the right, zeroes are clocked in from the left. When TB8 is at the output position of the shift register, then the stop bit is just to the left of TB8, and all positions to the left of that contain zeroes. This condition flags the TX control unit to do one last shift and then deactivate SEND and set TI. This occurs at the 11th divide-by-16 rollover after "WRITE to SBUF".

Reception is initiated by a detected 1-to-0 transition at RXD. For this purpose RXD is sampled at a rate of 16 times whatever baud rate has been established. When a transition is detected, the divide-by-16 counter is immediately reset, and 1FFH is written to the input shift register.

At the 7th, 8th and 9th counter states of each bit time, the bit detector samples the value of RXD. The value accepted is the value that was seen in at least 2 of the 3 samples. If the value accepted during the first bit time is not 0, the receive circuits are reset and the unit goes back to looking for another 1-to-0 transition. If the start bit proves valid, it is shifted into the input shift register, and reception of the rest of the frame will proceed.

As data bits come from the right, 1s shift out to the left. When the start bit arrives at the leftmost position in the shift register (which in modes 2 and 3 is a 9-bit register), it flags the RX control block to do one last shift, load SBUF and RB8, and to set RI. The signal to load SBUF and RB8, and to set RI, will be generated if, and only if, the following conditions are met at the time the final shift pulse is generated:

- 1) RI = 0, and
- 2) Either SM2 = 0 or the received 9th data bit = 1

If either of these conditions is not met, the received frame is irretrievably lost, and RI is not set. If both conditions are met, the received 9th data bit goes into RB8, and the first 8 data bits go into SBUF. One bit time later, whether the above conditions were met or not, the unit goes back to looking for a 1-to-0 transition at the RXD input.

Note that the value of the received stop bit is irrelevant to SBUF, RB8 or RI.

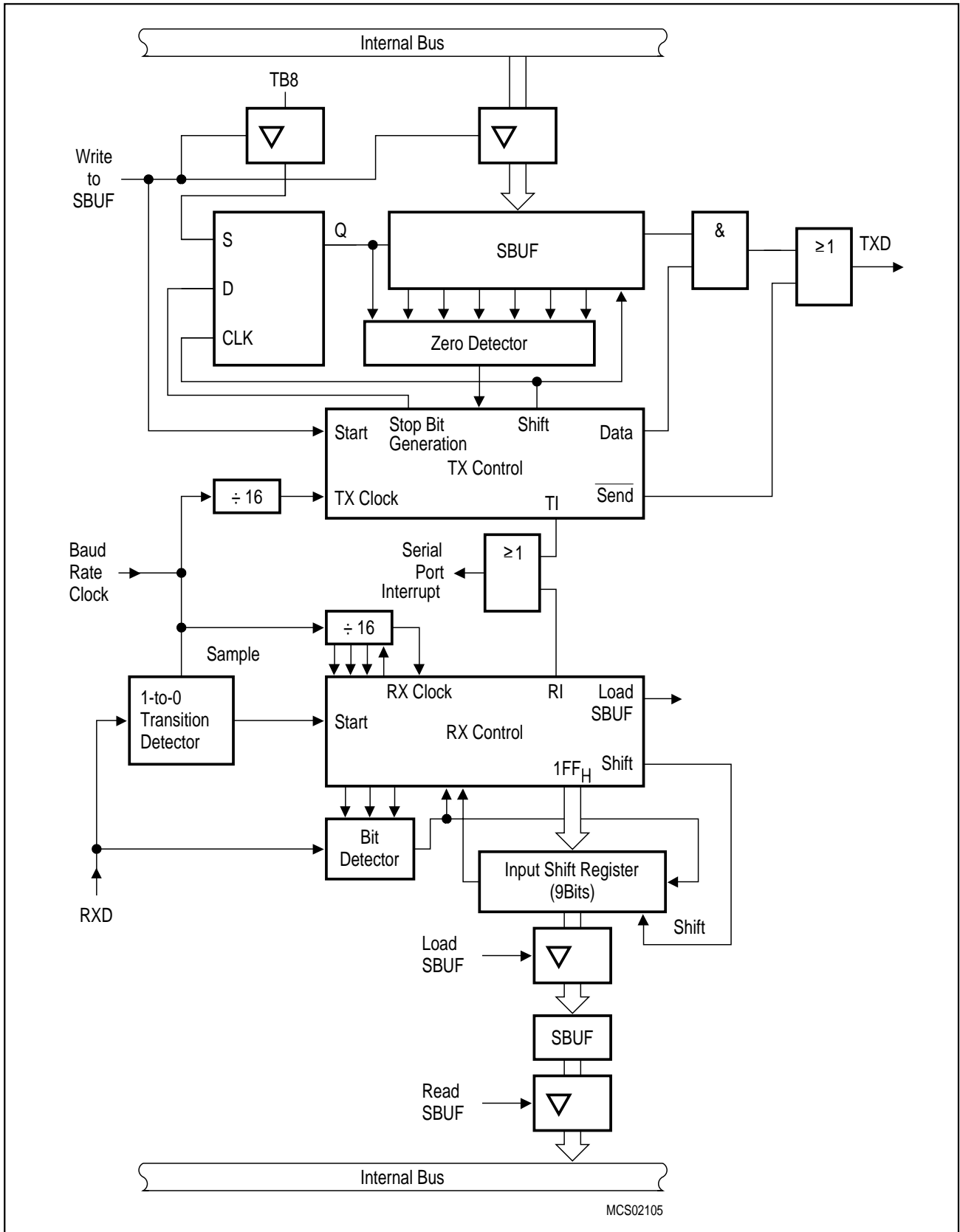


Figure 6-35
Serial Interface, Mode 2 and 3, Functional Diagram

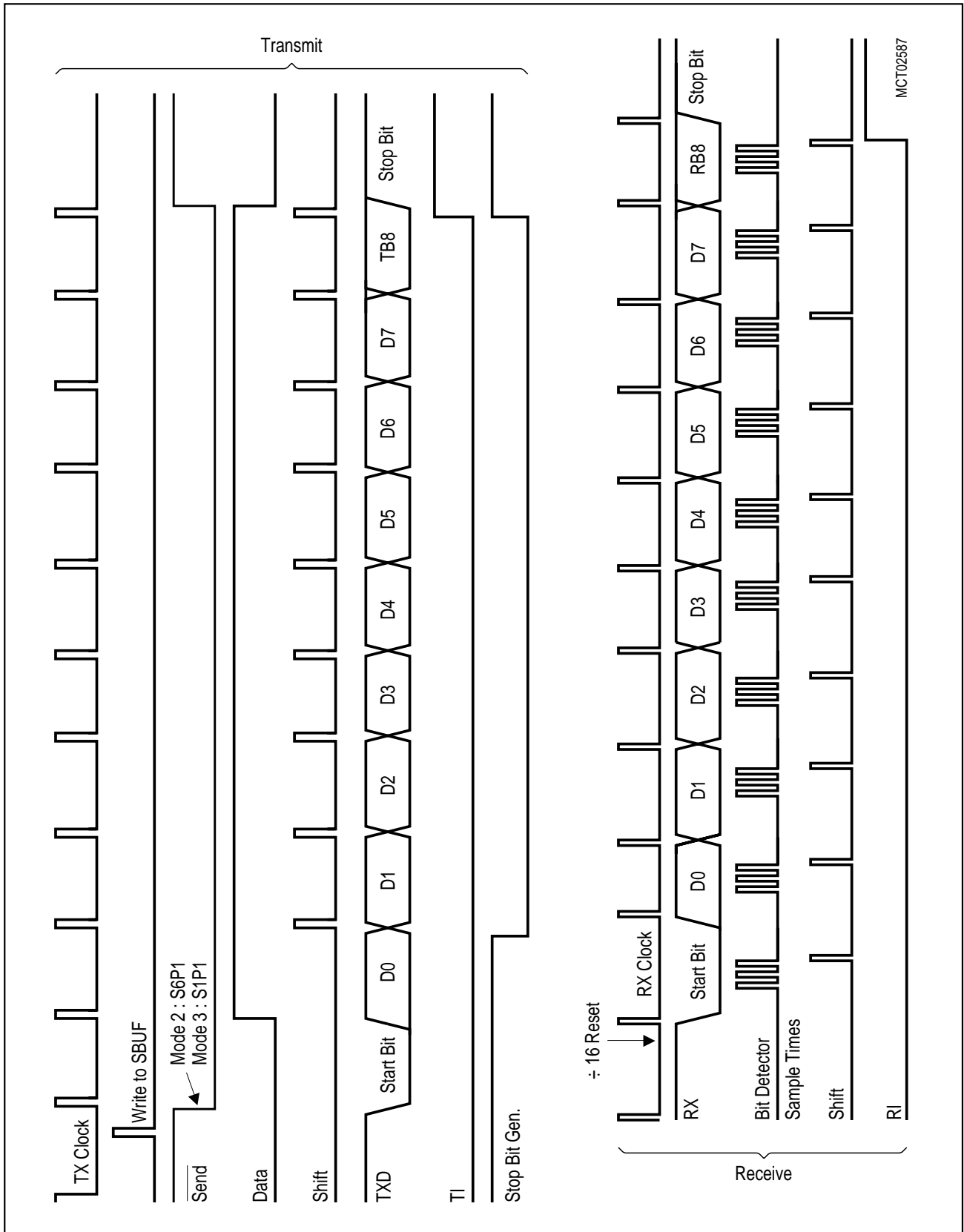


Figure 6-36
Serial Interface, Mode 2 and 3, Timing Diagram

6.4 SSC Interface

The C515C microcontroller provides a Synchronous Serial Channel unit, the SSC. This interface is compatible to the popular SPI serial bus interface. It can be used for simple I/O expansion via shift registers, for connection of a variety of peripheral components, such as A/D converters, EEPROMs etc., or for allowing several microcontrollers to be interconnected in a master/slave structure. It supports full-duplex or half-duplex operation and can run in a master or a slave mode.

Figure 6-37 shows the block diagram of the SSC. The central element of the SSC is an 8-bit shift register. The input and the output of this shift register are each connected via a control logic to the pin P4.2 / SRI (SSC Receiver In) and P4.3 / STO (SSC Transmitter Out). This shift register can be written to (SFR STB) and can be read through the Receive Buffer Register SRB.

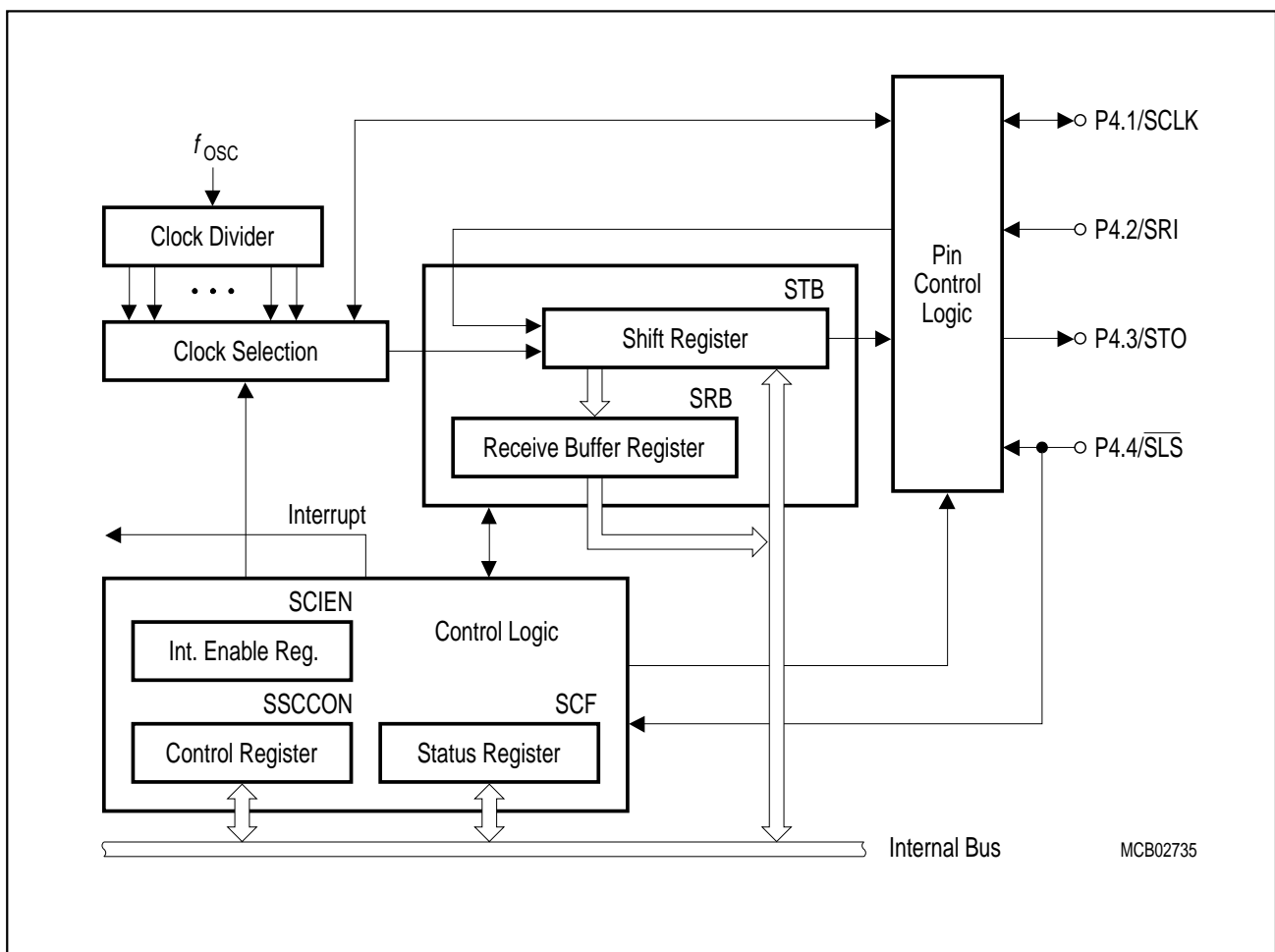


Figure 6-37
SSC Block Diagram

As the SSC is a synchronous serial interface, for each transfer a dedicated clock signal sequence must be provided. The SSC has implemented a clock control circuit, which can generate the clock via a baud rate generator in the master mode, or receive the transfer clock in the slave mode. The clock signal is fully programmable for clock polarity and phase. The pin used for the clock signal is P4.1 / SCLK.

When operating in slave mode, a slave select input $\overline{\text{SLS}}$ is provided which enables the SSC interface and also will control the transmitter output. The pin used for this is P4.4 / $\overline{\text{SLS}}$. In addition to this there is an additional option for controlling the transmitter output by software.

The SSC control block is responsible for controlling the different modes and operation of the SSC, checking the status, and generating the respective status and interrupt signals.

6.4.1 General Operation of the SSC

After initialization of the SSC, the data to be transmitted has to be written into the shift register STB.

In master mode this will initiate the transfer by resetting the baudrate generator and starting the clock generation. The control bits CPOL and CPHA in the SSCCON register determine the idle polarity of the clock (polarity between transfers) and which clock edges are used for shifting and sampling data (see **figure 6-39**).

While the transmit data in the shift register is shifted out bit per bit starting with the MSB or LSB, the incoming receive data are shifted in, synchronized with the clock signal at pin SCLK. When the eight bits are shifted out (and the same number is of course shifted in), the contents of the shift register is transferred to the receive buffer register SRB, and the transmission complete flag TC is set. If enabled an interrupt request will be generated.

After the last bit has been shifted out and was stable for one bit time, the STO output will be switched to "1" (forced "1"), the idle state of STO. This allows connection of standard asynchronous receivers to the SSC in master mode.

In slave mode the device will wait for the slave select input $\overline{\text{SLS}}$ to be activated (=low) and then will shift in the data provided on the receive input according to the clock provided at the SCLK input and the setting of the CPOL and CPHA bits. After eight bits have been shifted in, the content of the shift register is transferred to the receive buffer register and the transmission complete flag TC is set. If the transmitter is enabled in slave mode (TEN bit set to 1), the SSC will shift out at STO at the same time the data currently contained in the shift register. If the transmitter is disabled, the STO output will remain in the tristate state. This allows more than one slave to share a common select line.

If $\overline{\text{SLS}}$ is inactive the SSC will be inactive and the content of the shift register will not be modified.

6.4.2 Enable/Disable Control

Bit SSCEN of the SSCCON register globally enables or disables the synchronous serial interface. Setting SSCEN to "0" stops the baud rate generator and all internal activities of the SSC. Current transfers are aborted. The alternate output functions at pins P4.2 / SRI, P4.3 / STO, P4.4 / $\overline{\text{SLS}}$, and P4.1 / SCLK return to their primary I/O port function. These pins can now be used for general purpose I/O.

When the SSC is enabled and in master mode, pins P4.2 / SRI, P4.3 / STO, and P4.1 / SCLK will be switched to the SSC control function. P4.3 / STO and P4.1 / SCLK actively will drive the lines P4.4 / $\overline{\text{SLS}}$ will remain a regular I/O pin.

The output latches of port pins dedicated to alternate functions must be programmed to logic 1 (= state after reset).

In slave mode all four control pins will be switched to the alternate function. However, STO will stay in the tristate state until the transmitter is enabled by $\overline{\text{SLS}}$ input being low and the TEN control bit is set to 1. This allows for more than one slave to be connected to one select line and the final selection of the slave will be done by a software protocol.

6.4.3 Baudrate Generation (Master Mode only)

The baudrate clock is generated out of the processor clock (f_{osc}). This clock is fed into a resettable divider with seven outputs for different baudrate clocks ($f_{osc}/4$ to $f_{osc}/256$). One of these eight clocks is selected by the bits BRS2,1, 0 in SSCCON and provided to the shift control logic.

Whenever the shift register is loaded with a new value, the baudrate generation is restarted with the trailing edge of the write signal to the shift register. In the case of CPHA = 0 the baudrate generator will be restarted in a way, that the first SCLK clock transition will not occur before one half transmit clock cycle time after the register load. This ensures that there is sufficient setup time between MSB or LSB valid on the data output and the first sample clock edge and that the MSB or LSB has the same length than the other bits. (No special care is necessary in case of CPHA=1, because here the first clock edge will be used for shifting).

6.4.4 Write Collision Detection

When an attempt is made to write data to the shift register while a transfer is in progress, the WCOL bit in the status register will be set. The transfer in progress continues uninterrupted, the write will not access the shift register and will not corrupt data.

However, the data written erroneously will be stored in a shadow register and can be read by reading the STB register.

Depending on the operation mode there are different definitions for a transfer being considered to be in progress:

Master Mode :

CPHA=0: from the trailing edge of the write into STB until the last sample clock edge

CPHA=1: from the first SCLK clock edge until the last sample clock edge

Note, that this also means, that writing new data into STB immediately after the transfer complete flag has been set (also initiated with the last sample clock edge) will not generate a write collision. However, this may shorten the length of the last bit (especially at slow baudrates) and prevent STO from switching to the forced "1" between transmissions.

Slave Mode :

CPHA=0: while $\overline{\text{SLS}}$ is active

CPHA=1: from the first SCLK clock edge until the last sample clock edge

6.4.5 Master/Slave Mode Selection

The selection whether the SSC operates in master mode or in slave mode has to be made depending on the hardware configuration before the SSC will be enabled.

Normally a specific device will operate either as master or as slave unit. The SSC has no on-chip support for multimaster configurations (switching between master and slave mode operation). Operating the SSC as a master in a multimaster environment requires external circuitry for swapping transmit and receive lines.

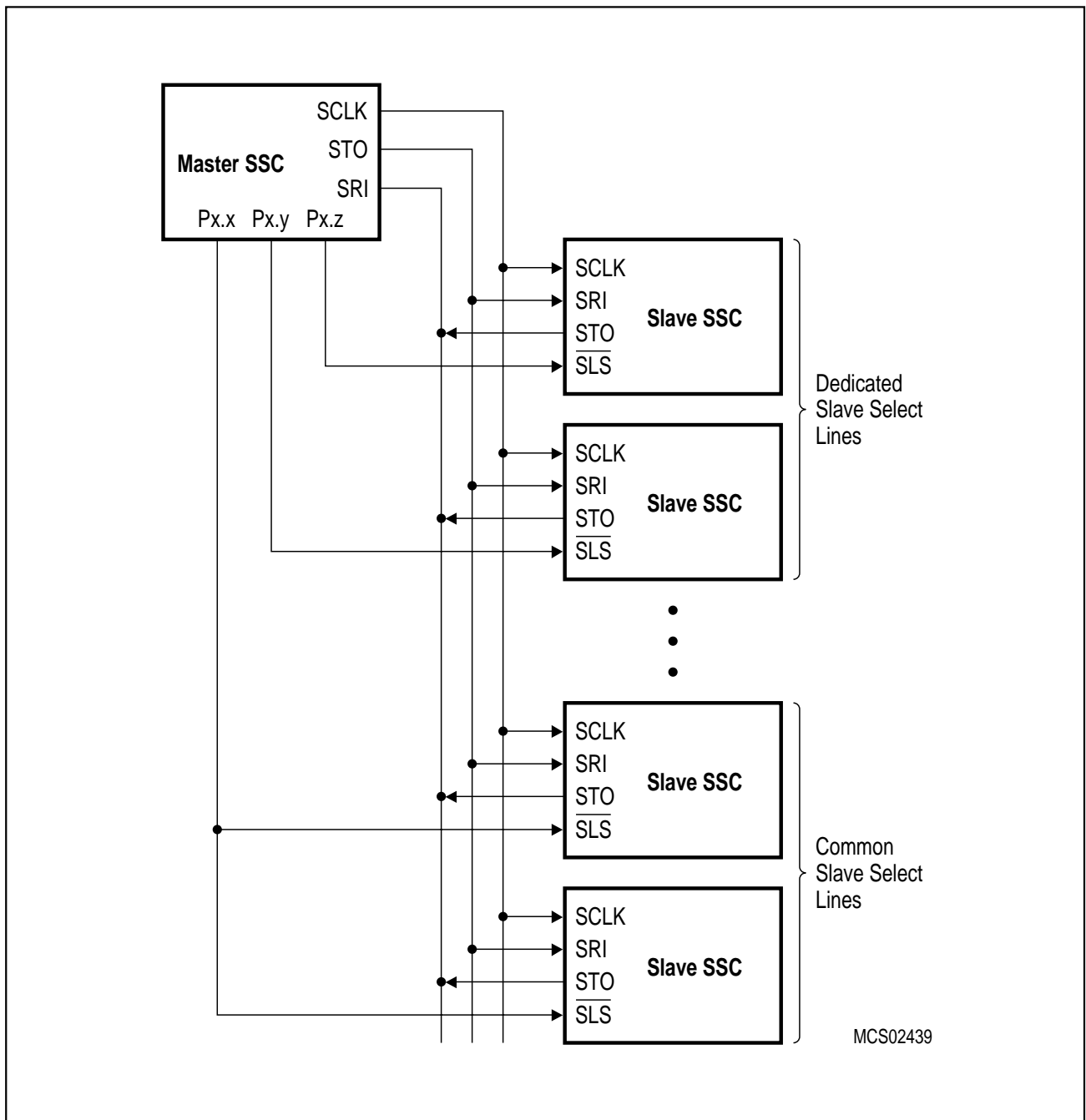


Figure 6-38
Typical SSC System Configuration

6.4.6 Data/Clock Timing Relationships

The SSC provides four different clocking schemes for clocking the data in and out of the shift register. Controlled by two bits in SSCCON, the clock polarity (idle state of the clock, control register bit CPOL) and the clock/data relationship (phase control, control register bit CPHA), i.e. which clock edges will be used for sample and shift. The following figures show the various possibilities.

6.4.6.1 Master Mode Operation

Figure 6-39 shows the clock/data/control relationship of the SSC in master mode. When CPHA is set to 1, the MSB of the data that was written into the shift register will be provided on the transmitter output after the first clock edge, the receiver input will sample with the next clock edge. The direction (rising or falling) of the respective clock edge is depending on the clock polarity selected. After the last bit has been shifted out, the data output STO will go to the high output level (logic 1) and remain there until the next transmission is started. However, when enabling the SSC after reset, the logic level of STO will be undefined, until the first transmission starts.

When CPHA is 0, the MSB will output immediately after the data was written into the shift register. The first clock edge of SCLK will be used for sampling the input data, the next to shift out the next bit. Between transmissions the data output STO will be "1".

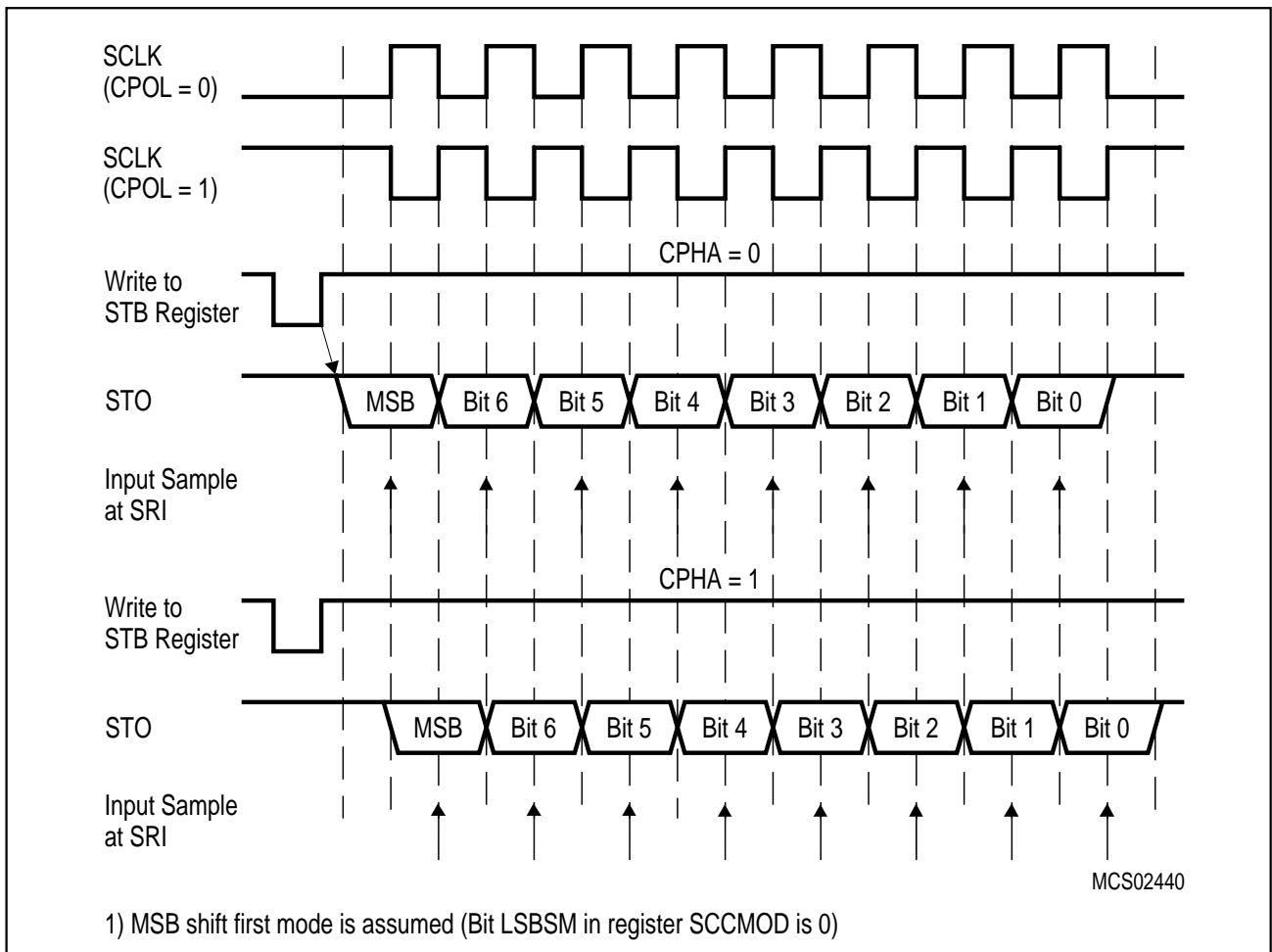


Figure 6-39
Master Mode Operation of SSC

6.4.6.2 Slave Mode Operation

Figure 6-40 shows the clock/data/control relationship of the SSC in slave mode. When \overline{SLS} is active (low) and CPHA is 1, the MSB of the data that was written into the shift register will be provided on the transmitter output after the first clock edge (if the transmitter was enabled by setting the TEN bit to 1), the receiver input will sample the input data with the next clock edge. The direction (rising or falling) of the respective clock edge is depending on the clock polarity selected. In this case (CPHA = 1) the \overline{SLS} input may stay active during the transmission of consecutive bytes.

When CPHA = 0 and the transmitter is enabled, the MSB of the shift register is provided immediately after the \overline{SLS} input is pulled to active state (low). The receiver will sample the input with the first clock edge, and the transmitter will shift out the next bit with the following clock edge. If the transmitter is disabled the output will remain in the high impedance state. In this case (CPHA=0), correct operation requires that the \overline{SLS} input to go inactive between consecutive bytes.

When \overline{SLS} is inactive the internal shift clock is disabled and the content of the shift register will not be modified. This also means that \overline{SLS} must stay active until the transmission is completed. If during a transmission \overline{SLS} goes inactive before all eight bits are received, the reception process will be aborted and the internal frame counter will be reset. TC will not be set in this case. With the next activation of \overline{SLS} a new reception process will be started.

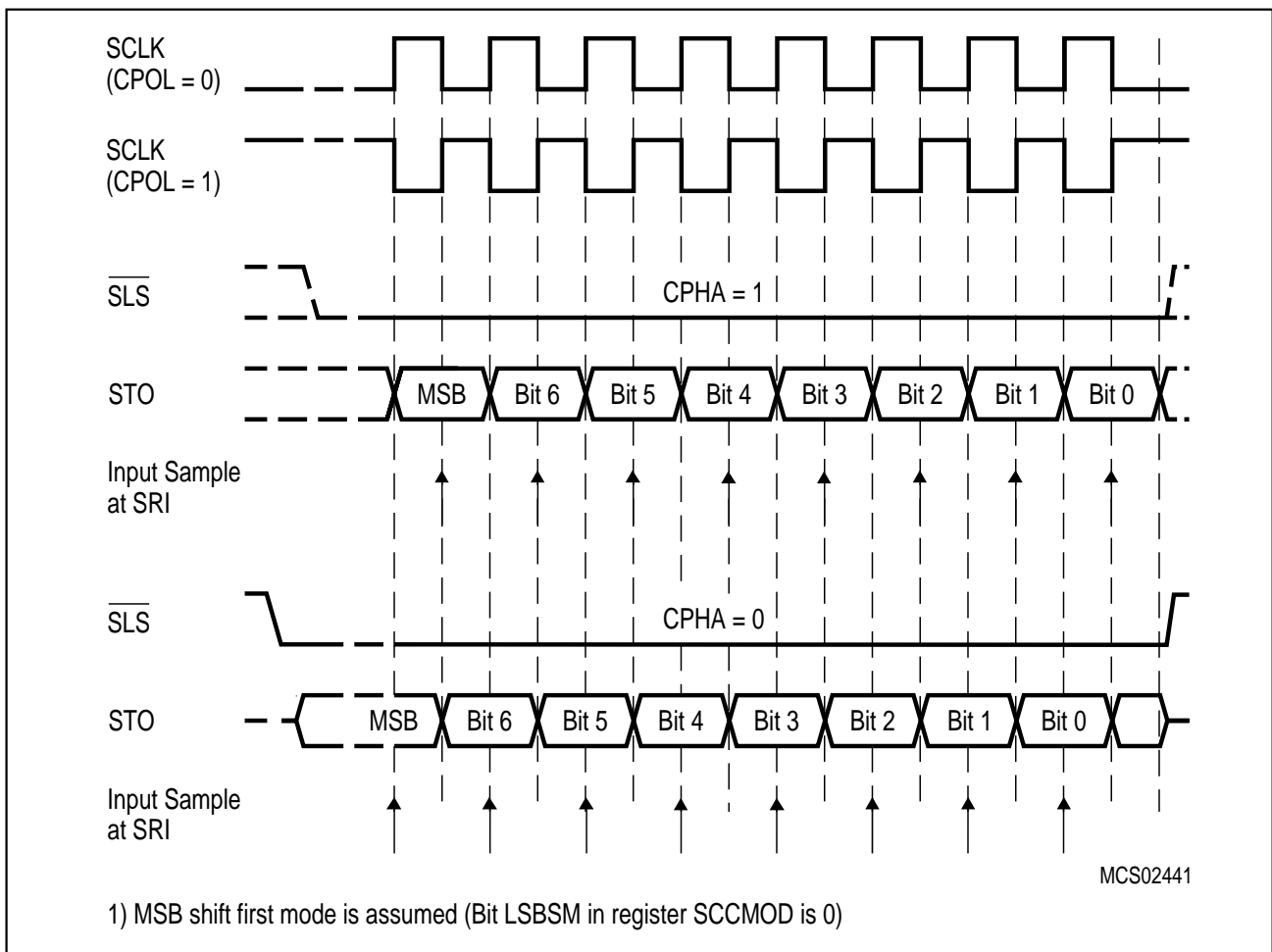


Figure 6-40
Slave Mode Operation of SSC

6.4.7 Register Description

The SSC interface has six SFRs which are listed in **table 6-5**.

Table 6-5 Special Function Registers of the SSC Interface

Symbol	Description	Address
SSCCON	SSC Control Register	93 _H
SCIEN	SSC Interrupt Enable Register	AC _H
SCF	SSC Status Register	AB _H
STB	SSC Transmit Buffer Register	94 _H
SRB	SSC Receive Buffer Register	95 _H
SSCMOD	SSC Mode Test Register	96 _H

The register SSCCON provides the basic control of the SSC functions like general enable/disable, mode selections and transmitter control.

Special Function Register SSCCON (Address 93_H)

Reset Value : 07_H

	MSB							LSB		
Bit No.	7	6	5	4	3	2	1	0		
93 _H	SCEN	TEN	MSTR	CPOL	CPHA	BRS2	BRS1	BRS0		SSCCON

Bit	Function
SCEN	SSC system enable SCEN =0 : SSC subsystem is disabled, related pins are available as general I/O. SCEN=1 : SSC subsystem is enabled.
TEN	Slave mode - transmitter enable TEN =0 : Transmitter output STO will remain in tristate state, regardless of the state of \overline{SLS} . TEN = 1 and $\overline{SLS} = 0$: Transmitter will drive the STO output. In master mode the transmitter will be enabled all the time, regardless of the setting of TEN.
MSTR	Master mode selection MSTR=0 : Slave mode is selected MSTR=1 : Master mode is selected This bit has to be set to the correct value depending on the hardware setup of the system before the SSC will be enabled. It must not be modified afterwards. There is no on-chip support for dynamic switching between master and slave mode operation.

Bit	Function																											
CPOL	<p>Clock polarity</p> <p>This bit controls the polarity of the shift clock and in conjunction with the CPHA bit which clock edges are used for sample and shift.</p> <p>CPOL=0 : SCLK idle state is low. CPOL=1 : SCLK idle state is high.</p>																											
CPHA	<p>Clock phase</p> <p>This bit controls in conjunction with the CPOL bit controls which clock edges are used for sample and shift</p> <p>CPHA=0 : The first clock edge of SCLK is used to sample the data, the second to shift the next bit out at STO. In master mode the transmitter will provide the first data bit on STO immediately after the data was written into the STB register. In slave mode the transmitter (if enabled via TEN) will shift out the first data bit with the falling edge of \overline{SLS}.</p> <p>CPHA=1 : The first data bit is shifted out with the first clock edge of SCLK and sampled with the second clock edge</p>																											
BRS2, BRS1, BRS0	<p>Baudrate selection bits</p> <p>These bits select one of the possible divide factors for generating the baudrate out of the microcontroller clock rate f_{OSC}. The baudrate is defined by .</p> $\text{Baudrate} = \frac{f_{OSC}}{\text{Dividefactor}} = \frac{f_{OSC}}{2 \times 2^{\text{BRS}(2-0)}}$ <p>for BRS (2-0) \neq 0</p> <table border="1" style="margin-left: auto; margin-right: auto;"> <thead> <tr> <th>BRS(2-0)</th> <th>Divide Factor</th> <th>Example: Baudrate for fosc = 8 MHz</th> </tr> </thead> <tbody> <tr> <td>0</td> <td>reserved</td> <td>reserved</td> </tr> <tr> <td>1</td> <td>4</td> <td>2 MBaud</td> </tr> <tr> <td>2</td> <td>8</td> <td>1 MBaud</td> </tr> <tr> <td>3</td> <td>16</td> <td>500 kBaud</td> </tr> <tr> <td>4</td> <td>32</td> <td>250 kBaud</td> </tr> <tr> <td>5</td> <td>64</td> <td>125 kBaud</td> </tr> <tr> <td>6</td> <td>128</td> <td>62.5 kBaud</td> </tr> <tr> <td>7</td> <td>256</td> <td>31.25 kBaud</td> </tr> </tbody> </table>	BRS(2-0)	Divide Factor	Example: Baudrate for fosc = 8 MHz	0	reserved	reserved	1	4	2 MBaud	2	8	1 MBaud	3	16	500 kBaud	4	32	250 kBaud	5	64	125 kBaud	6	128	62.5 kBaud	7	256	31.25 kBaud
BRS(2-0)	Divide Factor	Example: Baudrate for fosc = 8 MHz																										
0	reserved	reserved																										
1	4	2 MBaud																										
2	8	1 MBaud																										
3	16	500 kBaud																										
4	32	250 kBaud																										
5	64	125 kBaud																										
6	128	62.5 kBaud																										
7	256	31.25 kBaud																										

Note: SSCCON must be programmed only when the SSC is idle. Modifying the contents of SSCCON while a transmission is in progress will corrupt the current transfer and will lead to unpredictable results.

This register enables or disables interrupt request for the status bits. SCIEN must only be written when the SSC interrupts are disabled in the general interrupt enable register IEN2 (9A_H) using bit ESSC otherwise unexpected interrupt requests may occur.

Special Function Register SCIEN (Address AC_H)

Reset Value : XXXXXX00_B

Bit No.	MSB						LSB		SCIEN
	7	6	5	4	3	2	1	0	
AC _H	–	–	–	–	–	–	WCEN	TCEN	

Bit	Function
–	Reserved for future use.
WCEN	Write collision interrupt enable WCEN =0 : No interrupt request will be generated if the WCOL bit in the status register SCF is set. WCEN=1 : An interrupt is generated if the WCOL bit in the status register SCF is set.
TCEN	Transfer completed interrupt enable TCEN =0 : No interrupt request will be generated if the TC bit in the status register SCF is set. TCEN=1 : An interrupt is generated if the TC bit in the status register SCF is set.

Note: The SSC interrupt behaviour is in addition affected by bit ESSC in the interrupt enable register IEN2 and by bit 2 in the interrupt priority registers IP0 and IP1.

Special Function Register SCF (Address AB_H)

Reset Value : XXXXXX00_B

Bit No.	MSB						LSB		SCF
	7	6	5	4	3	2	1	0	
AB _H	–	–	–	–	–	–	WCOL	TC	

Bit	Function
–	Reserved for future use.
WCOL	<p>Write collision detect</p> <p>If WCOL is set it indicates that an attempt was made to write to the shift register STB while a data transfer was in progress and not fully completed. This bit will be set at the trailing edge of the write signal during the erroneous write attempt.</p> <p>This bit can be reset in two different ways :</p> <ol style="list-style-type: none"> 1. writing a "0" to the bit (bit access, byte access or read-modify-write access); 2. by reading the bit or the status register, followed by a write access to STB. <p>If bit WCEN in the SCIEN register is set, an interrupt request will be generated if WCOL is set.</p>
TC	<p>Transfer completed</p> <p>If TC is set it indicates that the last transfer has been completed. It is set with the last sample clock edge of a reception process.</p> <p>This bit can be reset in two different ways:</p> <ol style="list-style-type: none"> 1. writing a "0" to the bit (bit access, byte access or read-modify-write access) after the receive buffer register SRB has been read; 2. by reading the bit or the status register, followed by a read access to SRB. <p>If bit TCEN in the SCIEN register is set, an interrupt request will be generated if TC is set.</p>

The register STB (at SFR address 94_H) holds the data to be transmitted while SRB (at SFR address 95_H) contains the data which was received during the last transfer. A write to the STB places the data directly into the shift register for transmission. Only in master mode this also will initiate the transmission/reception process. When a write collision occurs STB will hold the value written erroneously. This value can be read by reading from STB.

A read from the receive buffer register SRB will transfer the data of the last transfer completed. This register must be read before the next transmission completes or the data will be lost. There is no indication for this overrun condition.

Special Function Register STB (Address 94_H)

Reset Value : XX_H

Special Function Register SRB (Address 95_H)

Reset Value : XX_H

Bit No.	MSB							LSB	
	7	6	5	4	3	2	1	0	
94 _H	.7	.6	.5	.4	.3	.2	.1	.0	STB
95 _H	.7	.6	.5	.4	.3	.2	.1	.0	SRB

After reset the contents of the shift register and the receive buffer register are undefined.

The register SSCMOD is used to enable test modes during factory test. It must not be written or modified during normal operation of the C515C.

Special Function Register SSCMOD (Address 96_H)

Reset Value : 00_H

Bit No.	MSB						LSB		
	7	6	5	4	3	2	1	0	
96 _H	LOOPB	TRIO	0	0	0	0	0	LSBSM	SSCMOD

Bit	Function
LOOPB	<p>Loopback enable</p> <p>This bit should be used for test purposes only.</p> <p>LOOPB = 0 : The SSC operates as specified.</p> <p>LOOPB = 1 : The STO output is connected internally via an inverter to the SRI input, allowing to check the transfer locally without a second SSC device.</p>
TRIO	<p>Disable tristate mode of SSC inputs</p> <p>This bit should be used for test purposes only.</p> <p>TRIO = 0 : The SSC operates as specified.</p> <p>TRIO = 1 : The SSC inputs will be connected to the output latch of the corresponding port pin. This allows a test of the SSC in slave mode by simulating a transfer via a program setting the port latches accordingly.</p>
5-1	<p>All bits of this register are set to 0 after reset. When writing SSCMOD, these bits must be written with 0.</p>
LSBSM	<p>LSB shift mode</p> <p>If LSBSM is cleared, the SSC will shift out the MSB of the data first LSB last. If LSBSM is set, the SSC will shift out LSB first and MSB last.</p>

6.5 The On-Chip CAN Controller

The Controller Area Network (CAN) bus with its associated protocol allows communication between a number of stations which are connected to this bus with high efficiency. Efficiency in this context means:

- Transfer speed (data rates of up to 1 Mbit/sec can be achieved)
- Data integrity (the CAN protocol provides several means for error checking)
- Host processor unloading (the controller here handles most of the tasks autonomously)
- Flexible and powerful message passing (the extended CAN protocol is supported)

The CAN interface which is integrated in the C515C is fully compatible with the CAN module which is available in the 16-bit microcontroller C167CR. This CAN module has been adapted with its internal bus interface, clock generation logic, register access control logic, and interrupt function to the requirements of the 8-bit C500 microcontroller architecture.

Generally, the CAN interface is made of two major blocks :

- The CAN controller
- The internal bus interface

The CAN controller is the functional heart which provides all resources that are required to run the standard CAN protocol (11-bit identifiers) as well as the extended CAN protocol (29-bit identifiers). It provides a sophisticated object layer to relieve the CPU of as much overhead as possible when controlling many different message objects (up to 15). This includes bus arbitration, resending of garbled messages, error handling, interrupt generation, etc. In order to implement the physical layer, external components have to be connected to the C515C.

The internal bus interface connects the on-chip CAN controller to the internal bus of the microcontroller. The registers and data locations of the CAN interface are mapped to a specific 256 byte wide address range of the external data memory area (XX00_H to XXFF_H) and can be accessed using MOVX instructions.

6.5.1 Basic CAN Controller Functions

The on-chip CAN controller combines several functional blocks (see **figure 6-41**) that work in parallel and contribute to the controller's performance. These units and the functions they provide are described below.

The CAN controller provides storage for up to 15 message objects of maximum 8 data bytes length. Each of these objects has a unique identifier and its own set of control and status bits. Each object can be configured with its direction as either transmit or receive, except the last message which is only a receive buffer with a special mask register.

An object with its direction set as transmit can be configured to be automatically sent whenever a remote frame with a matching identifier (taking into account the respective global mask register) is received over the CAN bus. By requesting the transmission of a message with the direction set as receive, a remote frame can be sent to request that the appropriate object be sent by some other node. Each object has separate transmit and receive interrupts and status bits, allowing the microcontroller full flexibility in detecting when a remote/data frame has been sent or received.

For general purpose two masks for acceptance filtering can be programmed, one for identifiers of 11 bits and one for identifiers of 29 bits. However the microcontroller must configure bit XTD (Normal or Extended Frame Identifier) in the message configuration register for each valid message to determine whether a standard or extended frame will be accepted.

The last message object has its own programmable mask for acceptance filtering, allowing a large number of infrequent objects to be handled by the system.

The object layer architecture of the CAN controller is designed to be as regular and orthogonal as possible. This makes it easy to use and small for implementation.

The message storage is implemented in an intelligent memory which can be addressed by the CAN controller and the microcontroller interface. The content of various bit fields in the object are used to perform the functions of acceptance filtering, transmit search, interrupt search and transfer completion. It can be filled with up to 15 messages of 8 bytes data.

The CAN controller offers significantly improved status information over earlier versions, enabling a much easier diagnosis of the state of the network.

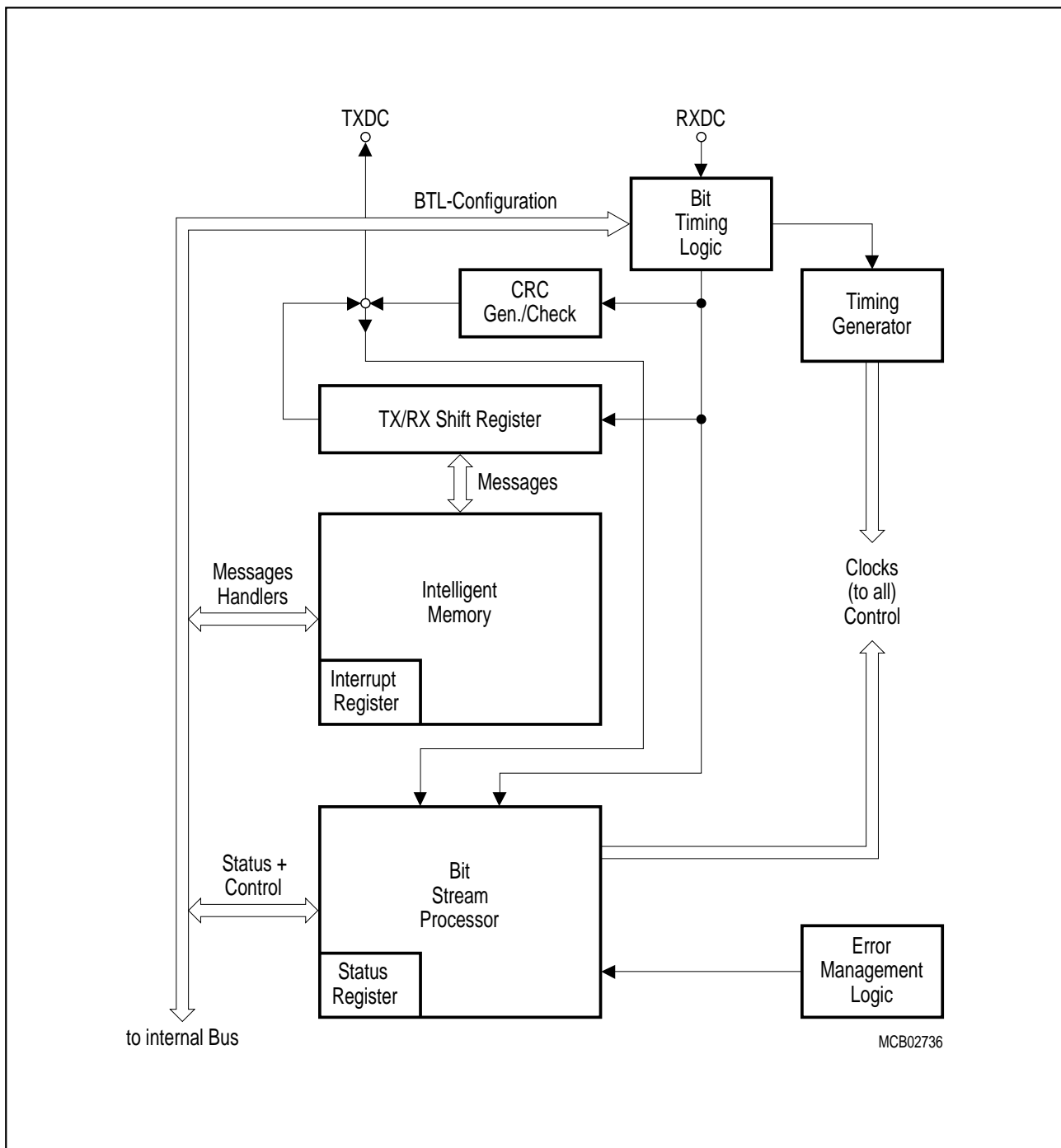


Figure 6-41
CAN Controller Block Diagram

TX/RX Shift Register

The Transmit / Receive Shift Register holds the destuffed bit stream from the bus line to allow the parallel access to the whole data or remote frame for the acceptance match test and the parallel transfer of the frame to and from the Intelligent Memory.

Bit Stream Processor (BSP)

The Bit Stream Processor is a sequencer controlling the sequential data stream between the TX/RX Shift Register, the CRC Register, and the bus line. The BSP also controls the EML and the parallel data stream between the TX/RX Shift Register and the Intelligent Memory such that the processes of reception, arbitration, transmission, and error signalling are performed according to the CAN protocol. Note that the automatic retransmission of messages which have been corrupted by noise or other external error conditions on the bus line is handled by the BSP.

Cyclic Redundancy Check Register (CRC)

This register generates the Cyclic Redundancy Check code to be transmitted after the data bytes and checks the CRC code of incoming messages. This is done by dividing the data stream by the code generator polynomial.

Error Management Logic (EML)

The Error Management Logic is responsible for the fault confinement of the CAN device. Its counters, the Receive Error Counter and the Transmit Error Counter, are incremented and decremented by commands from the Bit Stream Processor. According to the values of the error counters, the CAN controller is set into the states error *active*, error *passive* and busoff.

The CAN controller is *error active*, if both error counters are below the *error passive* limit of 128. It is *error passive*, if at least one of the error counters equals or exceeds 128.

It goes *busoff*, if the Transmit Error Counter equals or exceeds the *busoff* limit of 256. The device remains in this state, until the busoff recovery sequence is finished.

Additionally, there is the bit EWRN in the Status Register, which is set, if at least one of the error counters equals or exceeds the error warning limit of 96. EWRN is reset, if both error counters are less than the error warning limit.

Bit Timing Logic (BTL)

This block monitors the busline input RXDC and handles the busline related bit timing according to the CAN protocol.

The BTL synchronizes on a *recessive* to *dominant* busline transition at *Start of Frame* (hard synchronization) and on any further *recessive* to *dominant* busline transition, if the CAN controller itself does not transmit a *dominant* bit (resynchronization).

The BTL also provides programmable time segments to compensate for the propagation delay time and for phase shifts and to define the position of the Sample Point in the bit time. The programming of the BTL depends on the baudrate and on external physical delay times.

Intelligent Memory

The Intelligent Memory (CAM/RAM array) provides storage for up to 15 message objects of maximum 8 data bytes length. Each of these objects has a unique identifier and its own set of control and status bits. After the initial configuration, the Intelligent Memory can handle the reception and transmission of data without further microcontroller actions.

Organization of Registers and Message Objects

All registers and message objects of the CAN controller are located in the CAN address area of 256 bytes, which is mapped into the external data memory area of the C515C.

6.5.2 CAN Register Description

Notational Conventions

Each CAN register is described with its bit symbols, address, reset value, and a functional description of each bit or bitfield. Also the access type is indicated for each bit or bitfield :

- r : for read access
- w : for write access
- rw : for read and write access

After reset the CAN registers either contain a defined reset value, keep their previous contents (UU_H), or are undefined (XX_H). Locations that are unchanged (UU_H) after reset, of course are undefined (XX_H) after a power-on reset operation. The reset values are defined either in hex (with index H) or binary (with index B) expressions.

The notation “n” in the address definition of the message object registers defines the number of the related message object (n=1-15).

6.5.2.1 General Registers

The general registers of the CAN controller are located at the external data memory location $XX00_H$ to $XX0F_H$. The registers of this general register block is shown in **figure 6-42**. The address mapping of the 15 registers/bytes of a message object is shown in **figure 6-43**.

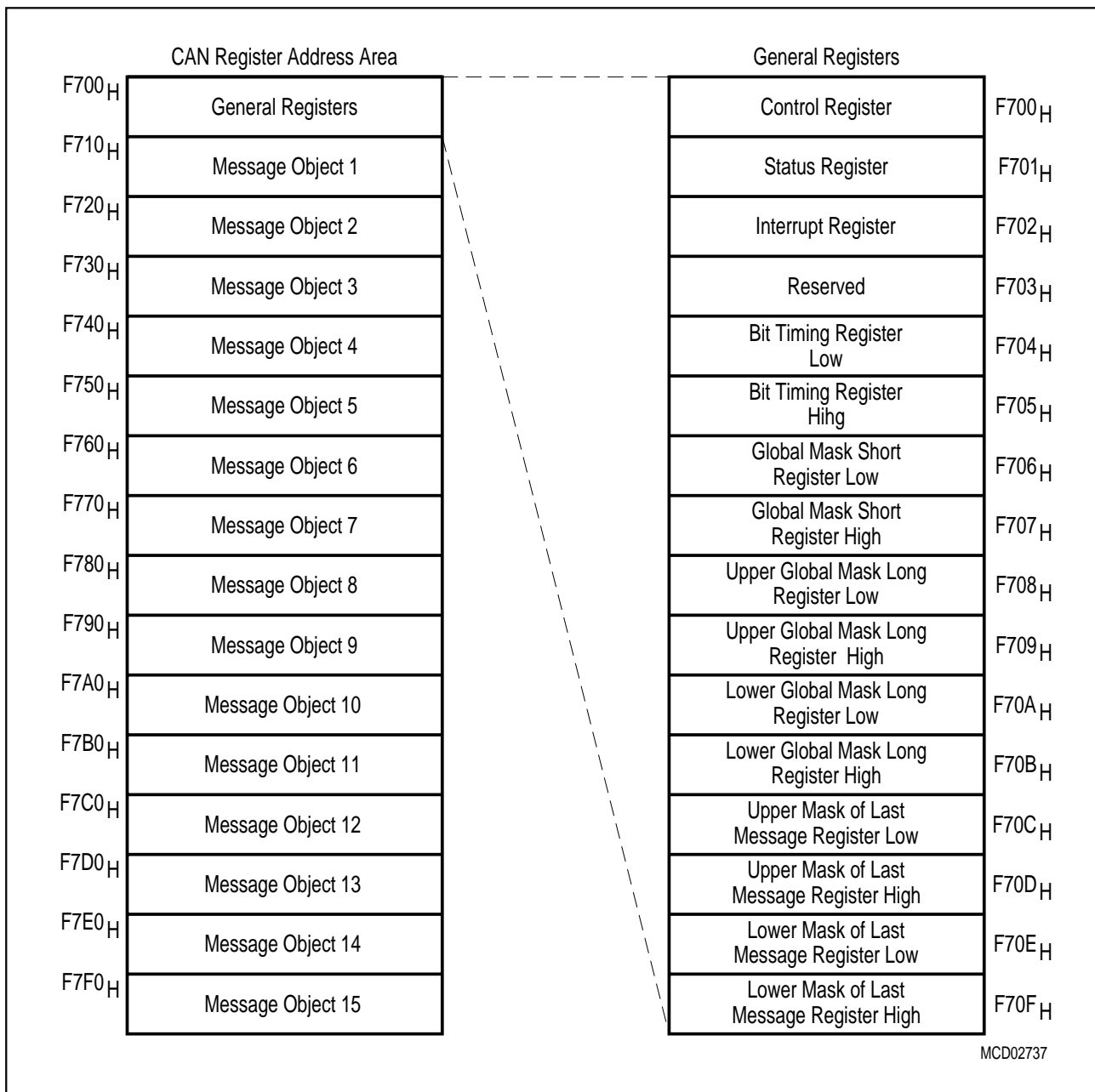


Figure 6-42
CAN Module Address Map

CAN Control Register CR (Address XX00_H)

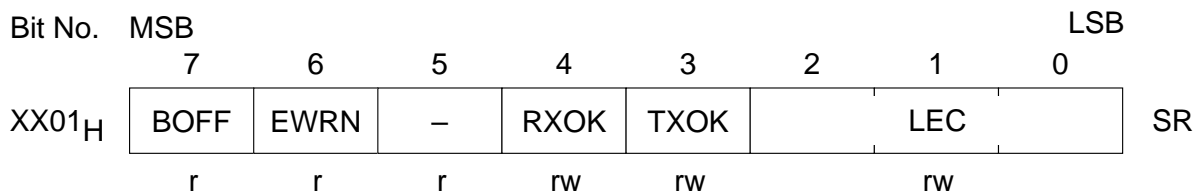
Reset Value : 01_H

Bit No.	MSB								LSB	
	7	6	5	4	3	2	1	0		
XX00 _H	TEST	CCE	0	0	EIE	SIE	IE	INIT		CR
	rw	rw	r	r	rw	rw	rw	rw		

Bit	Function
TEST	<p>Test mode</p> <p>Make sure that bit 7 is cleared when writing to the control register, as this bit controls a special test mode, that is used for production testing. During normal operation, however, this test mode may lead to undesired behaviour of the device.</p>
CCE	<p>Configuration change enable</p> <p>Allows or inhibits microcontroller access to the bit timing register.</p>
EIE	<p>Error interrupt enable</p> <p>Enables or disables interrupt generation on a change of bit BOFF or EWRN in the status register.</p>
SIE	<p>Status change interrupt enable</p> <p>Enables or disables interrupt generation when a message transfer (reception or transmission) is successfully completed or a CAN bus error is detected (and registered in the status register).</p>
IE	<p>Interrupt enable</p> <p>Enables or disables interrupt generation from the CAN module to the interrupt controller of the C515C. Does not affect status updates. Additionally, bit ECAN in SFR IEN2 and bit EAL in SFR IEN0 must be set when a CAN controller interrupt should be generated.</p>
INIT	<p>Initialization</p> <p>Starts the initialization of the CAN controller, when set.</p>

CAN Status Register SR (Address XX01_H)

Reset Value : XX_H



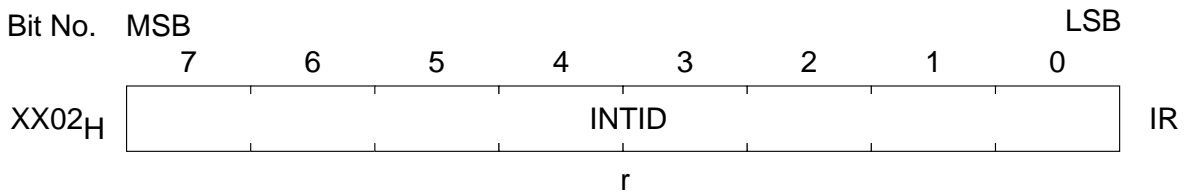
Bit	Function
BOFF	Busoff status Indicates when the CAN controller is in busoff state (see EML).
EWRN	Error warning status Indicates that at least one of the error counters in the EML has reached the error warning limit of 96.
RXOK	Received message successfully Indicates that a message has been received successfully, since this bit was last reset by the CPU (the CAN controller does not reset this bit!).
TXOK	Transmitted message successfully Indicates that a message has been transmitted successfully (error free and acknowledged by at least one other node), since this bit was last reset by the CPU (the CAN controller does not reset this bit!).

Bit	Function																								
LEC	<p>Last error code</p> <p>This field holds a code which indicates the type of the last error occurred on the CAN bus. If a message has been transferred (reception or transmission) without error, this field will be cleared. Code “7” is unused and may be written by the microcontroller to check for updates.</p> <table border="1"> <thead> <tr> <th>LEC2-0</th> <th>Error</th> <th>Description</th> </tr> </thead> <tbody> <tr> <td>0 0 0</td> <td>No Error</td> <td>–</td> </tr> <tr> <td>0 0 1</td> <td>Stuff Error</td> <td>More than 5 equal bits in a sequence have occurred in a part of a received message where this is not allowed.</td> </tr> <tr> <td>0 1 0</td> <td>Form Error</td> <td>A fixed format part of a received frame has the wrong format</td> </tr> <tr> <td>0 1 1</td> <td>Ack Error</td> <td>The message this CAN controller transmitted was not acknowledged by another node.</td> </tr> <tr> <td>1 0 0</td> <td>Bit1 Error</td> <td>During the transmission of a message (with the exception of the arbitration field), the device wanted to send a <i>recessive</i> level (“1”), but the monitored bus value was <i>dominant</i>.</td> </tr> <tr> <td>1 0 1</td> <td>Bit0 Error</td> <td>During the transmission of a message (or acknowledge bit, active error flag, or overload flag), the device wanted to send a <i>dominant</i> level (“0”), but the monitored bus value was <i>recessive</i>. During busoff recovery this status is set each time a sequence of 11 <i>recessive</i> bits has been monitored. This enables the microcontroller to monitor the proceeding of the busoff recovery sequence (indicating the bus is not stuck at <i>dominant</i> or continuously disturbed).</td> </tr> <tr> <td>1 1 0</td> <td>CRC Error</td> <td>The CRC check sum was incorrect in the message received.</td> </tr> </tbody> </table>	LEC2-0	Error	Description	0 0 0	No Error	–	0 0 1	Stuff Error	More than 5 equal bits in a sequence have occurred in a part of a received message where this is not allowed.	0 1 0	Form Error	A fixed format part of a received frame has the wrong format	0 1 1	Ack Error	The message this CAN controller transmitted was not acknowledged by another node.	1 0 0	Bit1 Error	During the transmission of a message (with the exception of the arbitration field), the device wanted to send a <i>recessive</i> level (“1”), but the monitored bus value was <i>dominant</i> .	1 0 1	Bit0 Error	During the transmission of a message (or acknowledge bit, active error flag, or overload flag), the device wanted to send a <i>dominant</i> level (“0”), but the monitored bus value was <i>recessive</i> . During busoff recovery this status is set each time a sequence of 11 <i>recessive</i> bits has been monitored. This enables the microcontroller to monitor the proceeding of the busoff recovery sequence (indicating the bus is not stuck at <i>dominant</i> or continuously disturbed).	1 1 0	CRC Error	The CRC check sum was incorrect in the message received.
LEC2-0	Error	Description																							
0 0 0	No Error	–																							
0 0 1	Stuff Error	More than 5 equal bits in a sequence have occurred in a part of a received message where this is not allowed.																							
0 1 0	Form Error	A fixed format part of a received frame has the wrong format																							
0 1 1	Ack Error	The message this CAN controller transmitted was not acknowledged by another node.																							
1 0 0	Bit1 Error	During the transmission of a message (with the exception of the arbitration field), the device wanted to send a <i>recessive</i> level (“1”), but the monitored bus value was <i>dominant</i> .																							
1 0 1	Bit0 Error	During the transmission of a message (or acknowledge bit, active error flag, or overload flag), the device wanted to send a <i>dominant</i> level (“0”), but the monitored bus value was <i>recessive</i> . During busoff recovery this status is set each time a sequence of 11 <i>recessive</i> bits has been monitored. This enables the microcontroller to monitor the proceeding of the busoff recovery sequence (indicating the bus is not stuck at <i>dominant</i> or continuously disturbed).																							
1 1 0	CRC Error	The CRC check sum was incorrect in the message received.																							

Note : Reading the SR when an interrupt is pending, resets the pending interrupt request.

CAN Interrupt Register IR (Address XX02_H)

Reset Value : XX_H

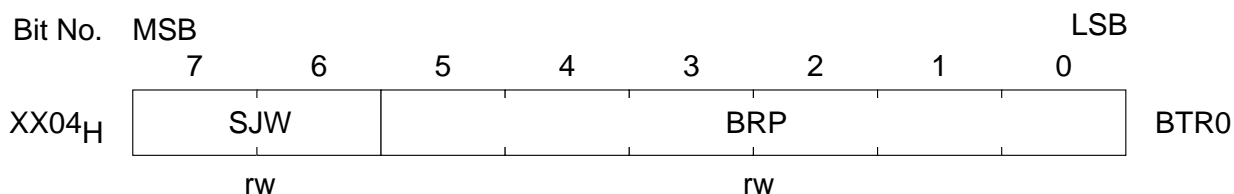


Bit	Function
INTID	Interrupt identifier This number indicates the cause of the interrupt. When no interrupt is pending, the value will be "00".

See also section 6.5.6 with **table 6-7** for further details about the CAN controller interrupt handling.

CAN Bit Timing Register Low BTR0 (Address XX04_H)

Reset Value : UU_H

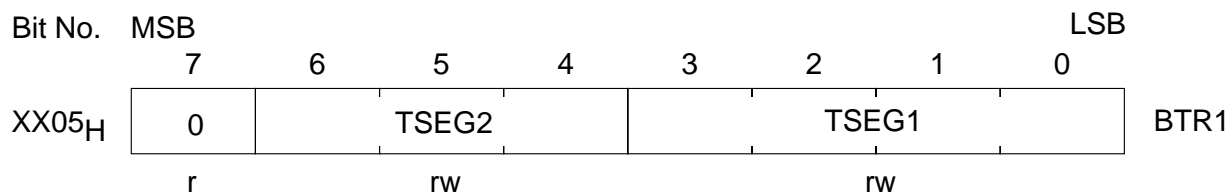


Bit	Function
SJW	(Re)Synchronization jump width Adjust the bit time by (SJW+1) time quanta for resynchronization.
BRP	Baud rate prescaler For generating the bit time quanta the oscillator frequency is divided by (BRP+1).

Note : This register can only be written, if the configuration change enable bit (CCE) is set.

CAN Bit Timing Register High BTR1 (Address XX05_H)

Reset Value : 0UUUUUUU_B



Bit	Function
TSEG2	Time segment after sample point There are (TSEG2+1) time quanta after the sample point. Valid values for TSEG2 are "1...7".
TSEG1	Time segment before sample point There are (TSEG1+1) time quanta before the sample point. Valid values for TSEG1 are "2...15".

Note : This register can only be written, if the configuration change enable bit (CCE) is set.

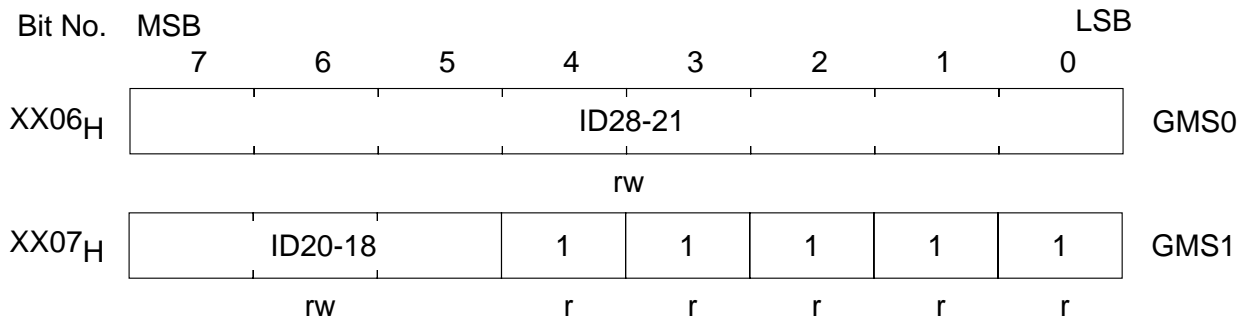
Mask Registers

Messages can use standard or extended identifiers. Incoming frames are masked with their appropriate global masks. Bit IDE of the incoming message determines, if the standard 11-bit mask in global mask short is to be used, or the 29-bit extended mask in global mask long. Bits holding a “0” mean “don’t care”, ie. do not compare the message’s identifier in the respective bit position.

The last message object (15) has an additional individually programmable acceptance mask (mask of last message) for the complete arbitration field. This allows classes of messages to be received in this object by masking some bits of the identifier.

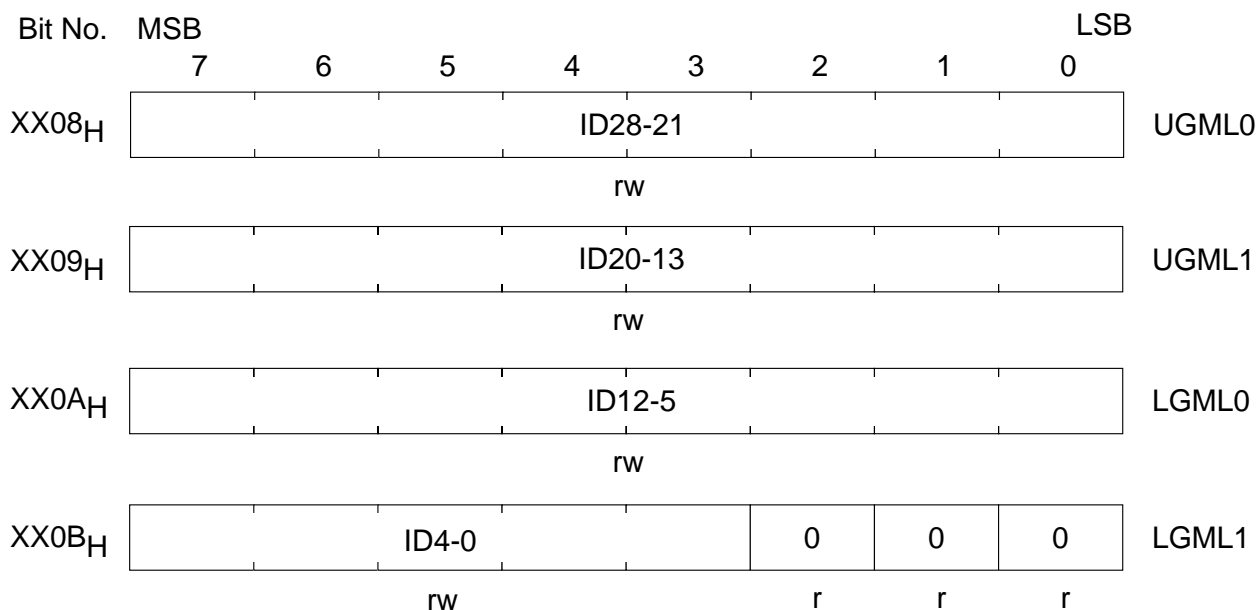
Note : The mask of last message is ANDed with the global mask that corresponds to the incoming message.

CAN Global Mask Short Register Low GMS0 (Address XX06_H) **Reset Value : UU_H**
CAN Global Mask Short Register High GMS1 (Address XX07_H) **Reset Value : UUU11111_B**



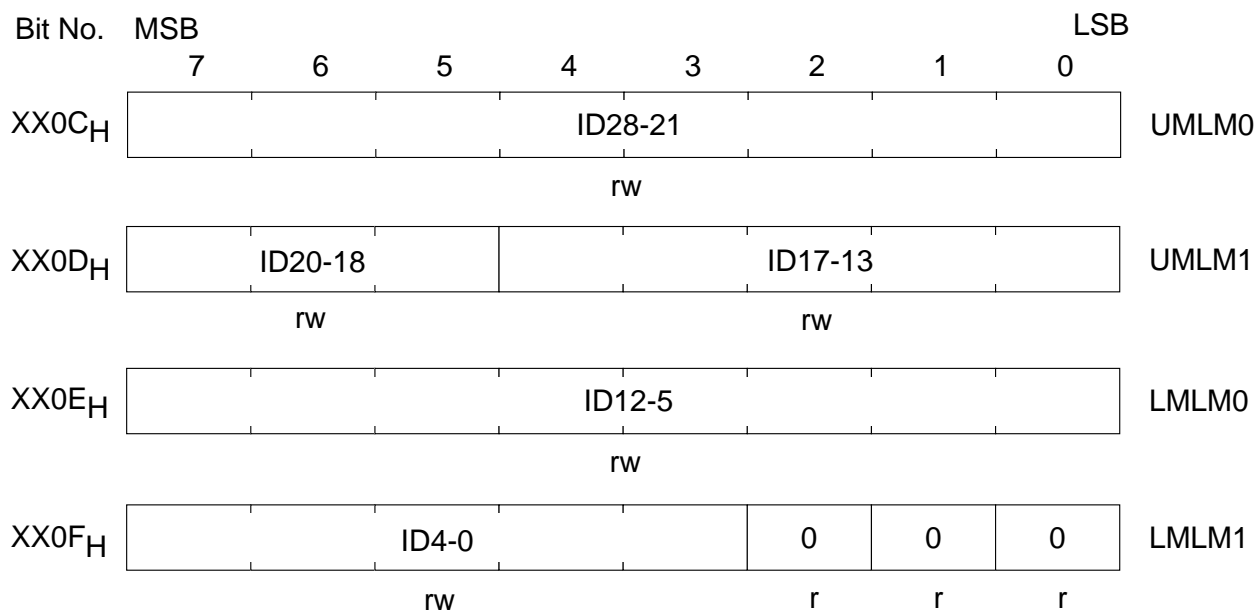
Bit	Function
ID28-18	Identifier (11-bit) Mask to filter incoming messages with standard identifier.

CAN Upper Global Mask Long Register Low UGML0 (Addr. XX08_H) Reset Value : UU_H
CAN Upper Global Mask Long Register High UGML1 (Addr. XX09_H) Reset Value : UU_H
CAN Lower Global Mask Long Register Low LGML0 (Addr. XX0A_H) Reset Value : UU_H
CAN Lower Global Mask Long Register High LGML1 (Addr. XX0B_H) Reset Val. UUUUU000_B



Bit	Function
ID28-0	Identifier (29-bit) Mask to filter incoming messages with extended identifier.

CAN Upper Mask of Last Message Register Low UMLM0 (Addr. XX0C_H) Reset Value : UU_H
CAN Upper Mask of Last Message Register High UMLM1 (Addr. XX0D_H) Reset Value : UU_H
CAN Lower Mask of Last Message Register Low LMLM0 (Addr. XX0E_H) Reset Value : UU_H
CAN Lower Mask of Last Message Reg. High LMLM1 (Addr. XX0F_H) Reset Val.: UUUUU000_B



Bit	Function
ID28-0	Identifier (29-bit) Mask to filter the last incoming message (no. 15) with standard or extended identifier (as configured).

6.5.2.2 The Message Object Registers / Data Bytes

The message object is the primary means of communication between microcontroller and CAN controller. Each of the 15 message objects uses 15 consecutive bytes (see figure 6-43) and starts at an address that is a multiple of 16.

Note: All message objects must be initialized by the C515C, even those which are not going to be used, before clearing the INIT bit.

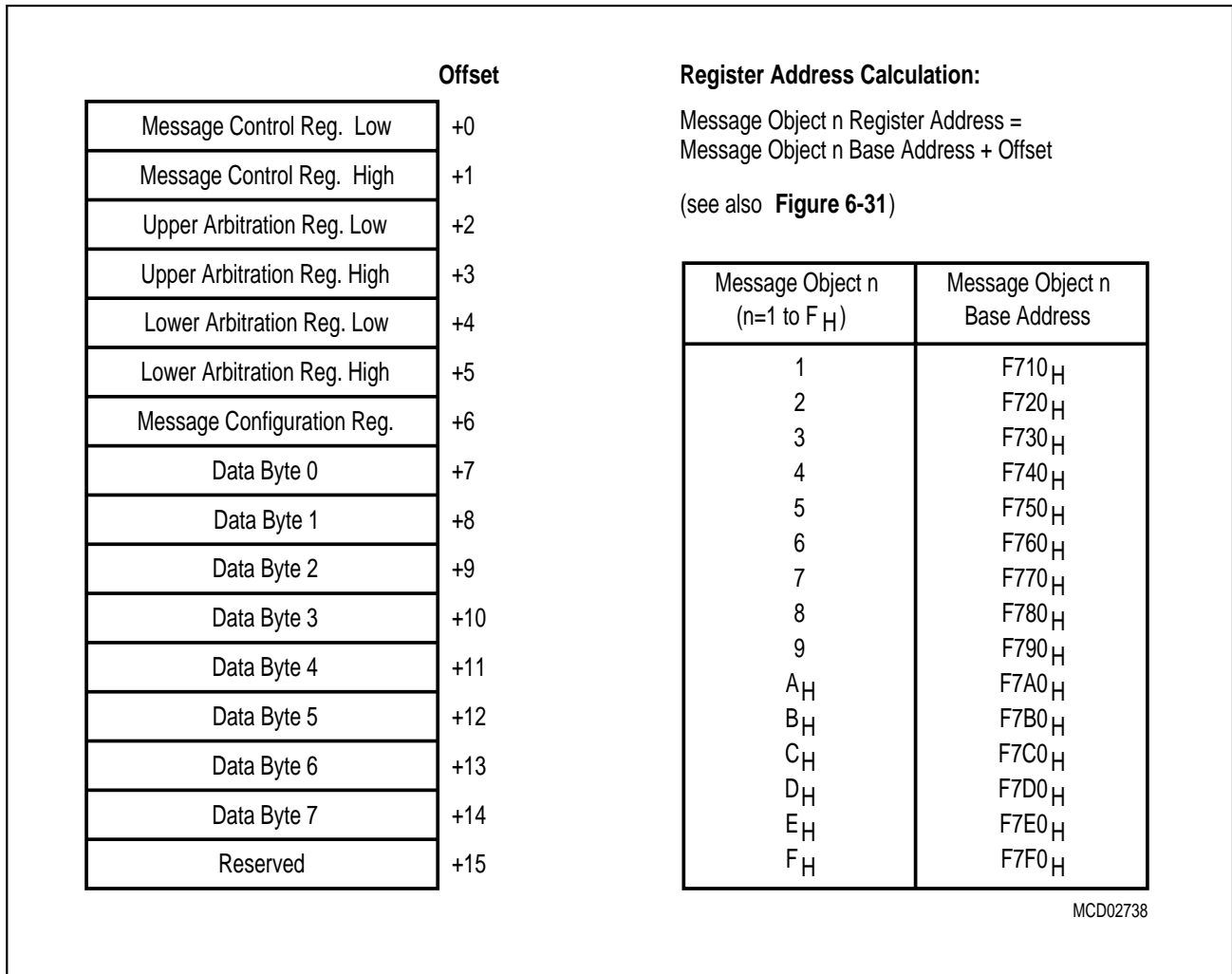


Figure 6-43
Message Object Address Map

Each element of the message control register is made of two complementary bits. This special mechanism allows to selectively set or reset specific elements (leaving others unchanged) without requiring read-modify-write cycles. None of these elements will be affected by reset.

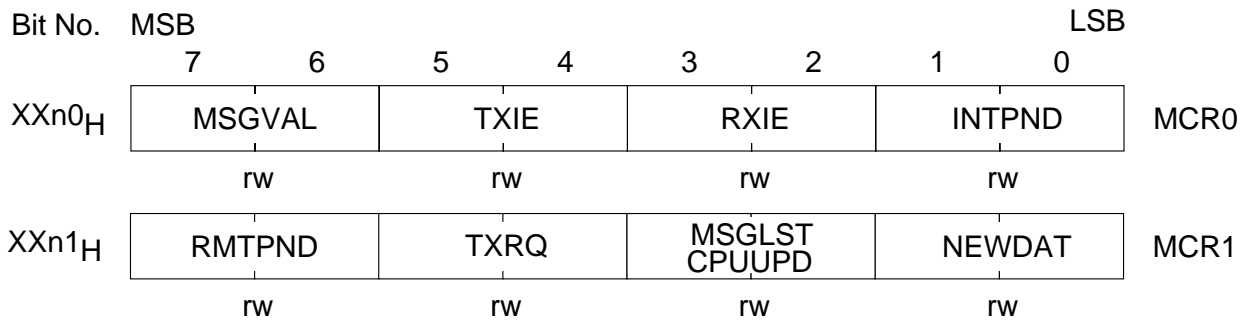
Table 6-6 below shows how to use and interpret these 2-bit fields.

Table 6-6 : Set/Reset Bits

Value of the 2-bit Field	Function on Write	Meaning on Read
0 0	reserved	reserved
0 1	Reset element	Element is reset
1 0	Set element	Element is set
1 1	Leave element unchanged	reserved

CAN Message Control Register Low MCR0 (Address XXn0_H)
CAN Message Control Register High MCR1 (Address XXn1_H)

Reset Value : UU_H
Reset Value : UU_H



Bit	Function
MSGVAL	Message valid Indicates, if the corresponding message object is valid or not. The CAN controller only operates on valid objects. Message objects can be tagged invalid, while they are changed, or if they are not used at all.
TXIE	Transmit interrupt enable Defines, if bit INTPND is set after successful transmission of a frame. ¹⁾
RXIE	Receive interrupt enable Defines, if bit INTPND is set after successful reception of a frame.
INTPND	Interrupt pending Indicates, if this message object has generated an interrupt request (see TXIE and RXIE), since this bit was last reset by the microcontroller, or not.

Bit	Function
RMTDND	Remote pending (used for transmit-objects) Indicates that the transmission of this message object has been requested by a remote node, but the data has not yet been transmitted. When RMTDND is set, the CAN controller also sets TXRQ. RMTDND and TXRQ are cleared, when the message object has been successfully transmitted.
TXRQ	Transmit request Indicates that the transmission of this message object is requested by the CPU or via a remote frame and is not yet done. TXRQ can be disabled by CPUUPD. ^{1) 3)}
MSGLST	Message lost (this bit applies to <u>receive</u> -objects only!) Indicates that the CAN controller has stored a new message into this object, while NEWDAT was still set, ie. the previously stored message is lost.
CPUUPD	CPU update (this bit applies to <u>transmit</u> -objects only!) Indicates that the corresponding message object may not be transmitted now. The microcontroller sets this bit in order to inhibit the transmission of a message that is currently updated, or to control the automatic response to remote requests.
NEWDAT	New data Indicates, if new data has been written into the data portion of this message object by microcontroller (transmit-objects) or CAN controller (receive-objects) since this bit was last reset, or not. ²⁾

- 1) In message object 15 (last message) these bits are hardwired to "0" (inactive) in order to prevent transmission of message 15.
- 2) When the CAN controller writes new data into the message object, unused message bytes will be overwritten by non specified values. Usually the microcontroller will clear this bit before working on the data, and verify that the bit is still cleared once it has finished working to ensure that it has worked on a consistent set of data and not part of an old message and part of the new message.
For transmit-objects the microcontroller will set this bit along with clearing bit CPUUPD. This will ensure that, if the message is actually being transmitted during the time the message was being updated by the microcontroller, the CAN controller will not reset bit TXRQ. In this way bit TXRQ is only reset once the actual data has been transferred.
- 3) When the microcontroller requests the transmission of a receive-object, a remote frame will be sent instead of a data frame to request a remote node to send the corresponding data frame. This bit will be cleared by the CAN controller along with bit RMTDND when the message has been successfully transmitted, if bit NEWDAT has not been set. If there are several valid message objects with pending transmission request, the message with the lowest message number is transmitted first.

Arbitration Registers

The arbitration registers are used for acceptance filtering of incoming messages and to define the identifier of outgoing messages. A received message is stored into the valid message object with a matching identifier and DIR="0" (data frame) or DIR="1" (remote frame). Extended frames can be stored only in message objects with XTD="1", standard frames only in message objects with XTD="0". For matching, the corresponding global mask has to be considered (in case of message object 15 also the mask of last message). If a received message (data frame or remote frame) matches with more than one valid message object, it is stored into that with the lowest message number.

When the CAN controller stores a data frame, not only the data bytes, but the whole identifier and the data length code are stored into the corresponding message object (standard identifiers have bits ID17...0 filled with "0"). This is implemented to keep the data bytes connected with the identifier, even if arbitration mask registers are used. When the CAN controller stores a remote frame, only the data length code is stored into the corresponding message object. The identifier and the data bytes remain unchanged.

There must not be more than one valid message object with a particular identifier at any time. If some bits are masked by the global mask registers (ie. "don't care"), then the identifiers of the valid message objects must differ in the remaining bits which are used for acceptance filtering.

If a received data frame is stored into a message object, the identifier of this message object is updated. If some of the identifier bits are set to "don't care" by the corresponding mask register, these bits may be changed in the message object. If a remote frame is received, the identifier in transmit-object remain unchanged, except for the last message object (which cannot start a transmission). Here, the identifier bits corresponding to the "don't care" bits of the last message object's mask may be overwritten by the incoming message.

CAN Upper Arbitration Register Low UAR0 (Address XXn2_H)

Reset Value : UU_H

CAN Upper Arbitration Register High UAR1 (Address XXn3_H)

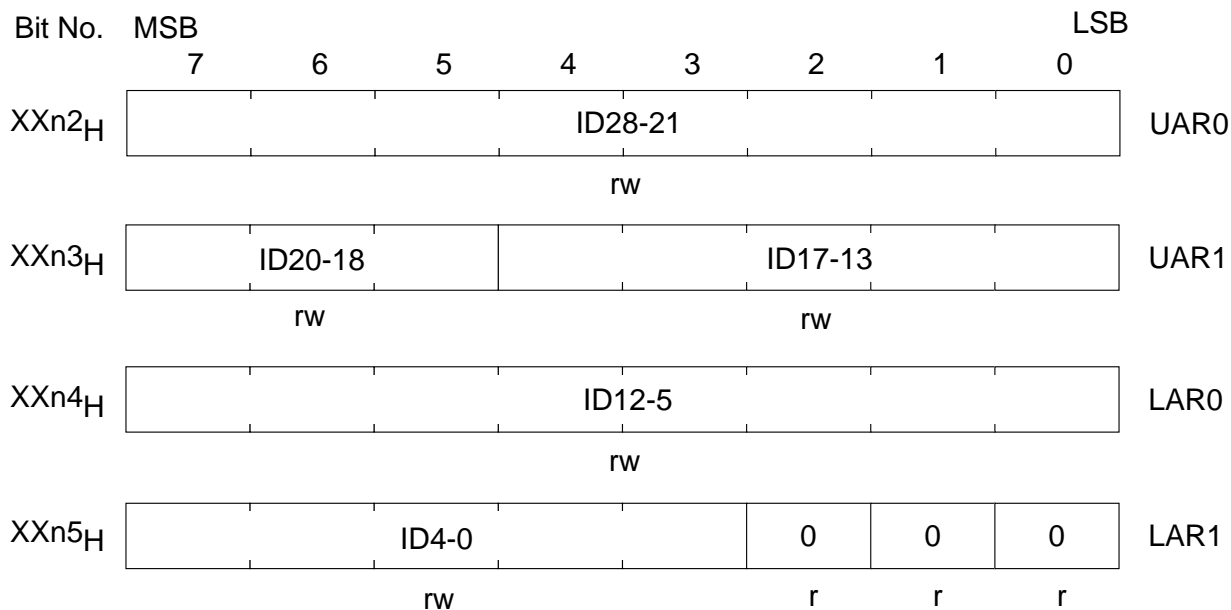
Reset Value : UU_H

CAN Lower Arbitration Register Low LAR0 (Address XXn4_H)

Reset Value : UU_H

CAN Lower Arbitration Register High LAR1 (Address XXn5_H)

ResetValue:UUUUU000_B



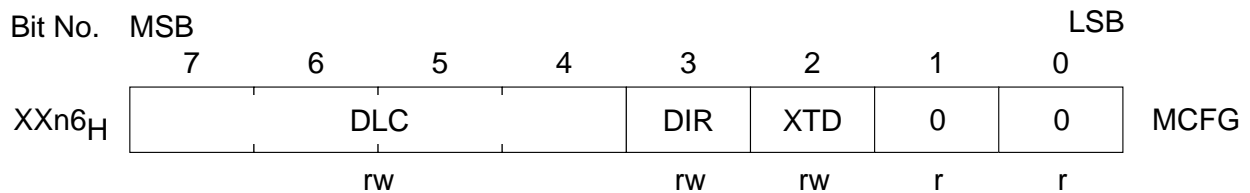
Bit	Function
ID28-0	Identifier (29-bit) Identifier of a standard message (ID28...18) or an extended message (ID28...0). For standard identifiers bits ID17...0 are "don't care".

Message Configuration and Data

The following fields hold a description of the message within this object. The data field occupies the following 8 byte positions after the message configuration register.

Note: There is no “don’t care” option for bits XTD and DIR. So incoming frames can only match with corresponding message objects, either standard (XTD=0) or extended (XTD=1). Data frames only match with receive-objects, remote frames only match with transmit-objects. When the CAN controller stores a data frame, it will write all the eight data bytes into a message object. If the data length code was less than 8, the remaining bytes of the message object will be overwritten by non specified values.

CAN Message Configuration MCFG Register (Address XXn6H) Reset Value : UUUUUU00B



Bit	Function
DLC	Data length code Valid values for the data length are 0...8.
DIR	Message direction DIR="1": transmit. On TXRQ, the respective message object is transmitted. On reception of a remote frame with matching identifier, the TXRQ and RMTEND bits of this message object are set. DIR="0": receive. On TXRQ, a remote frame with the identifier of this message object is transmitted. On reception of a data frame with matching identifier, that message is stored in this message object.
XTD	Extended identifier Indicates, if this message object will use an extended 29-bit identifier or a standard 11-bit identifier

CAN Data Bytes DB0-DB7 (Addresses $XXn7_H$ - $XXnE_H$)

Reset Value : XX_H

Bit No.	MSB							LSB	
	7	6	5	4	3	2	1	0	
$XXn7_H$ - $XXnE_H$.7	.6	.5	.4	.3	.2	.1	.0	DB0-7
	rw	rw	rw	rw	rw	rw	rw	rw	

Message data for message object 15 (last message) will be written into a two-message-alternating buffer to avoid the loss of a message, if a second message has been received, before the microcontroller has read the first one.

6.5.3 Handling of Message Objects

The following diagrams (**figures 6-44 to 6-49**) summarize the actions that have to be taken in order to transmit and receive messages over the CAN bus. The actions taken by the CAN controller are described as well as the actions that have to be taken by the microcontroller (i.e. the servicing program).

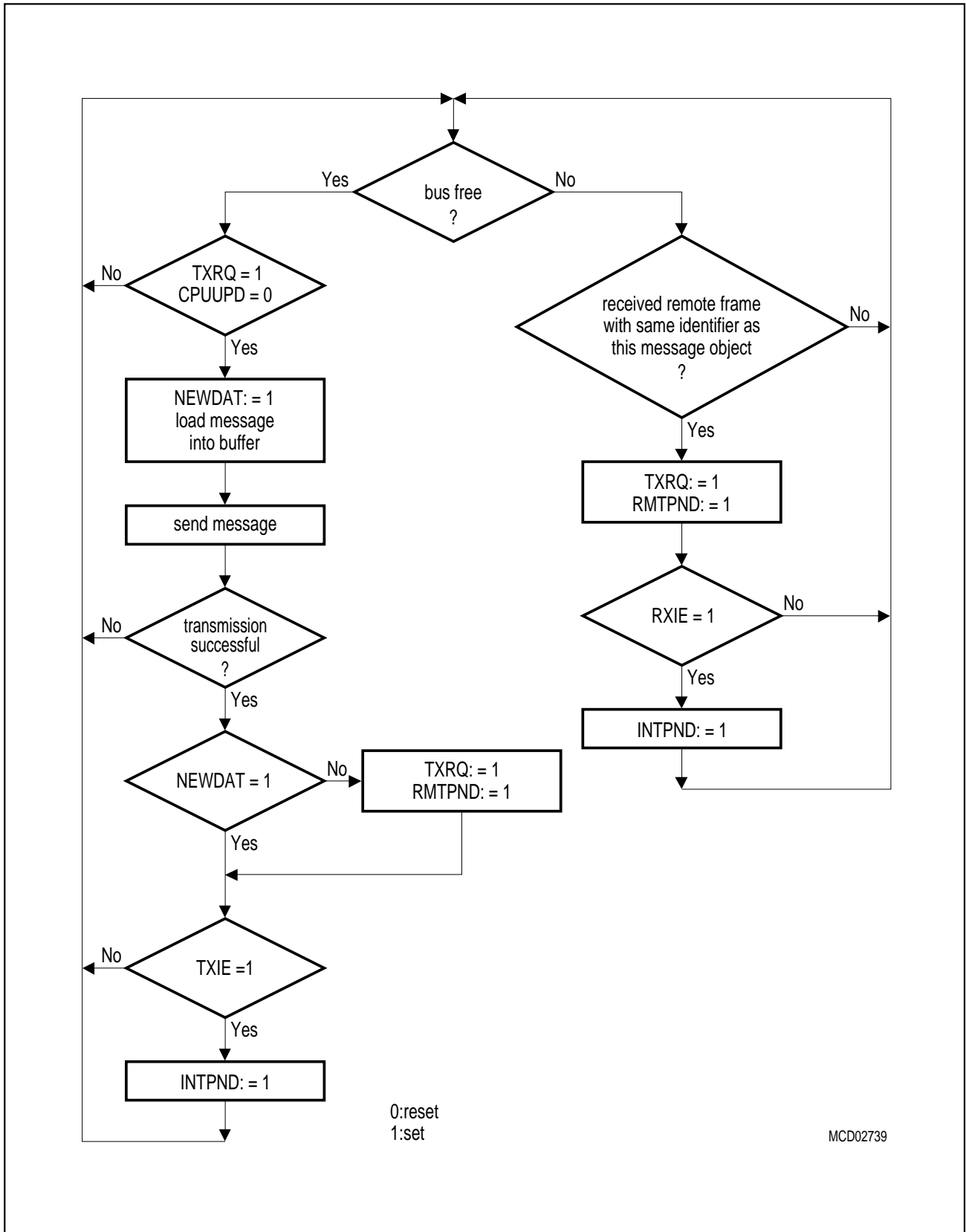


Figure 6-44
CAN Controller Handling of Message Objects with Direction = transmit

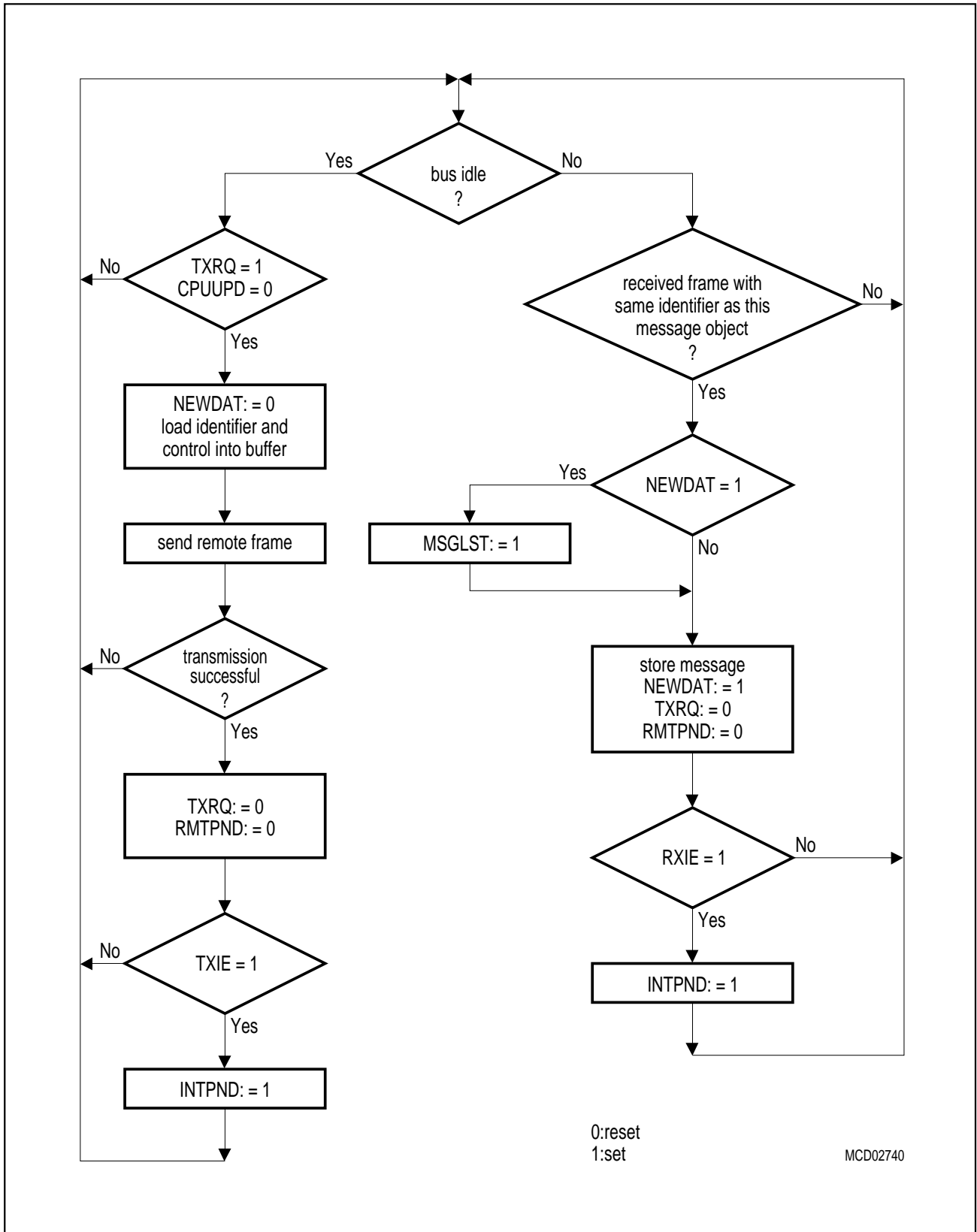


Figure 6-45
CAN Controller Handling of Message Objects with Direction = receive

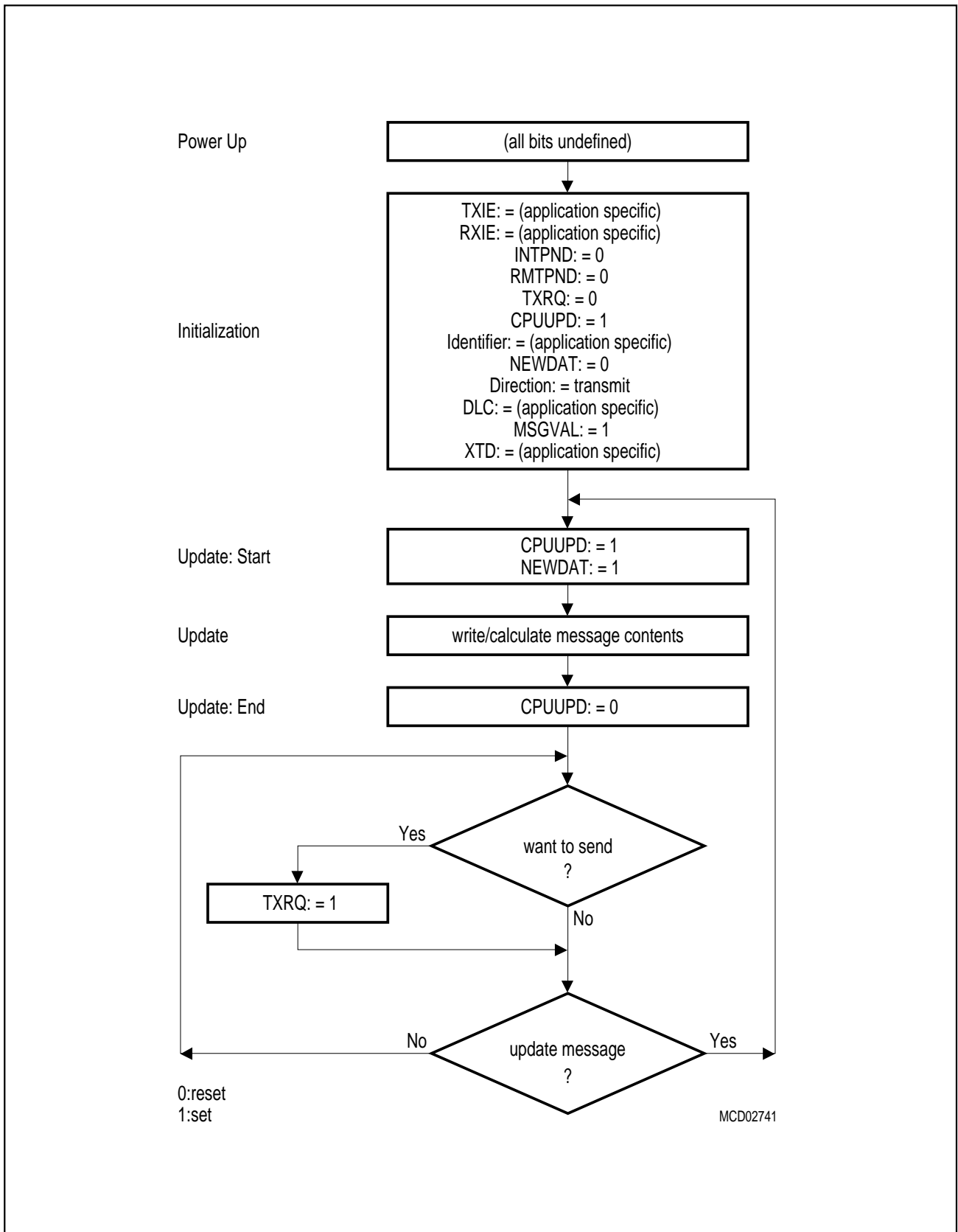


Figure 6-46
Microcontroller Handling of Message Objects with Direction = transmit

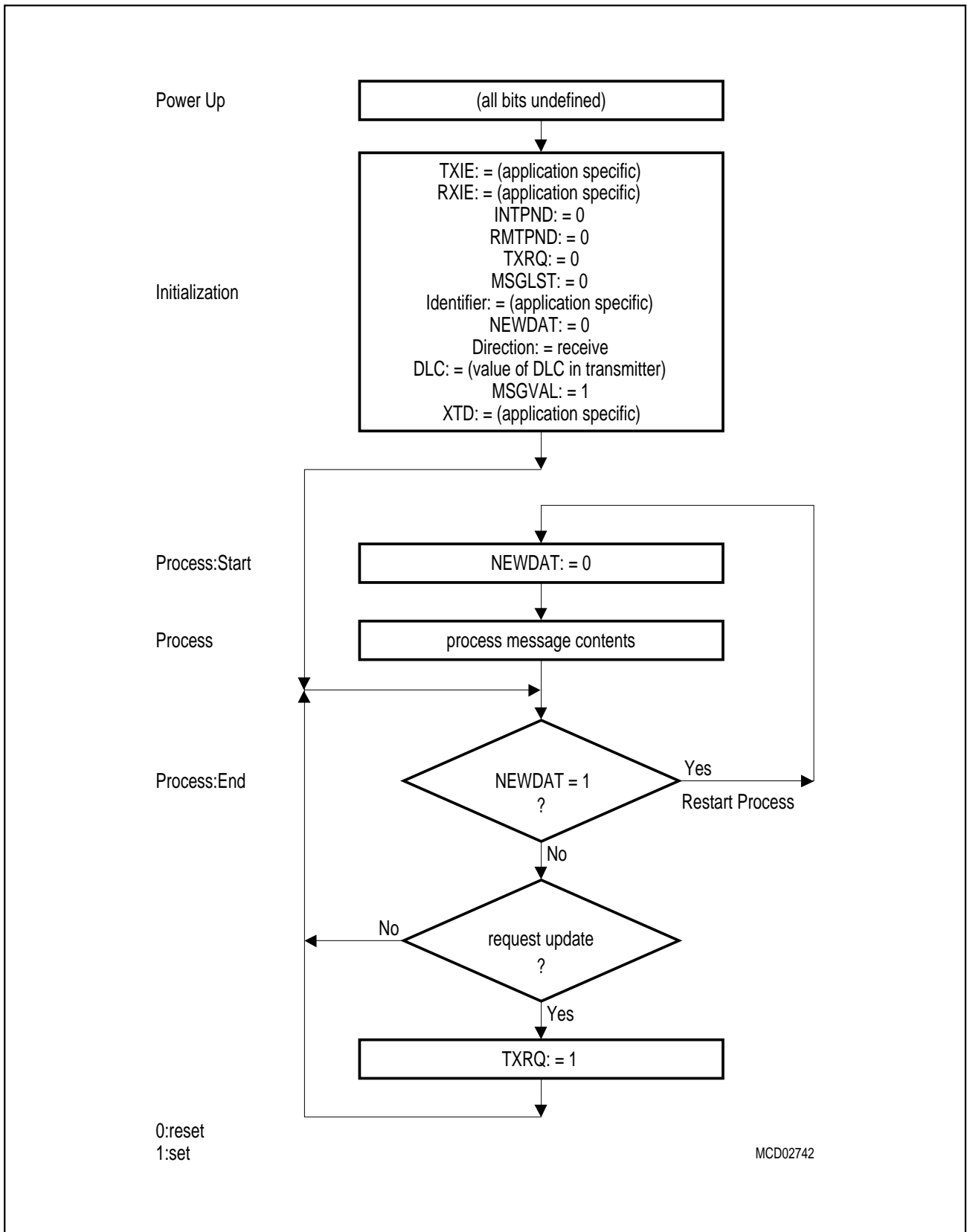


Figure 6-47
Microcontroller Handling of Message Objects with Direction = receive

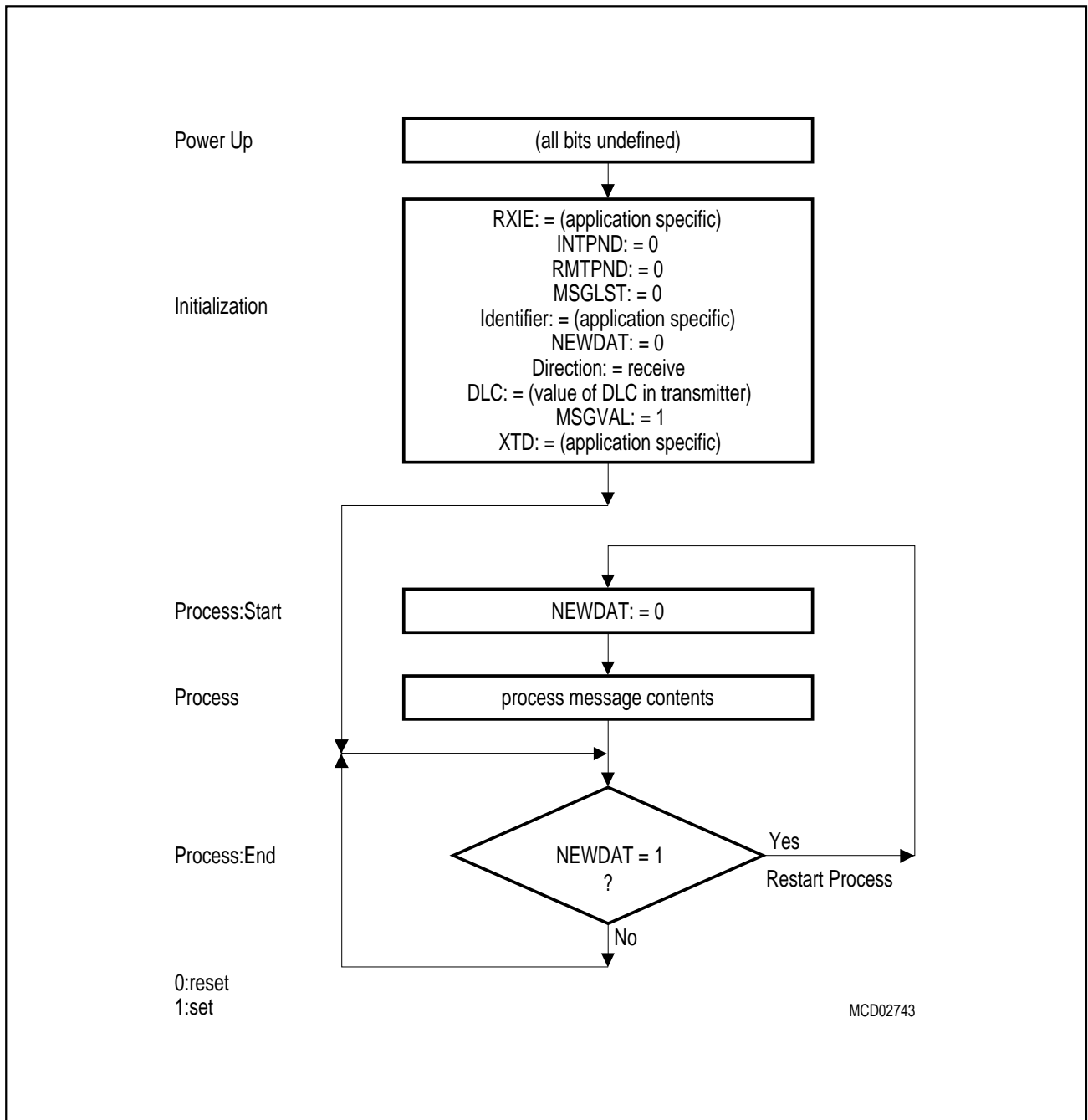


Figure 6-48
Microcontroller Handling of the Last Message Object

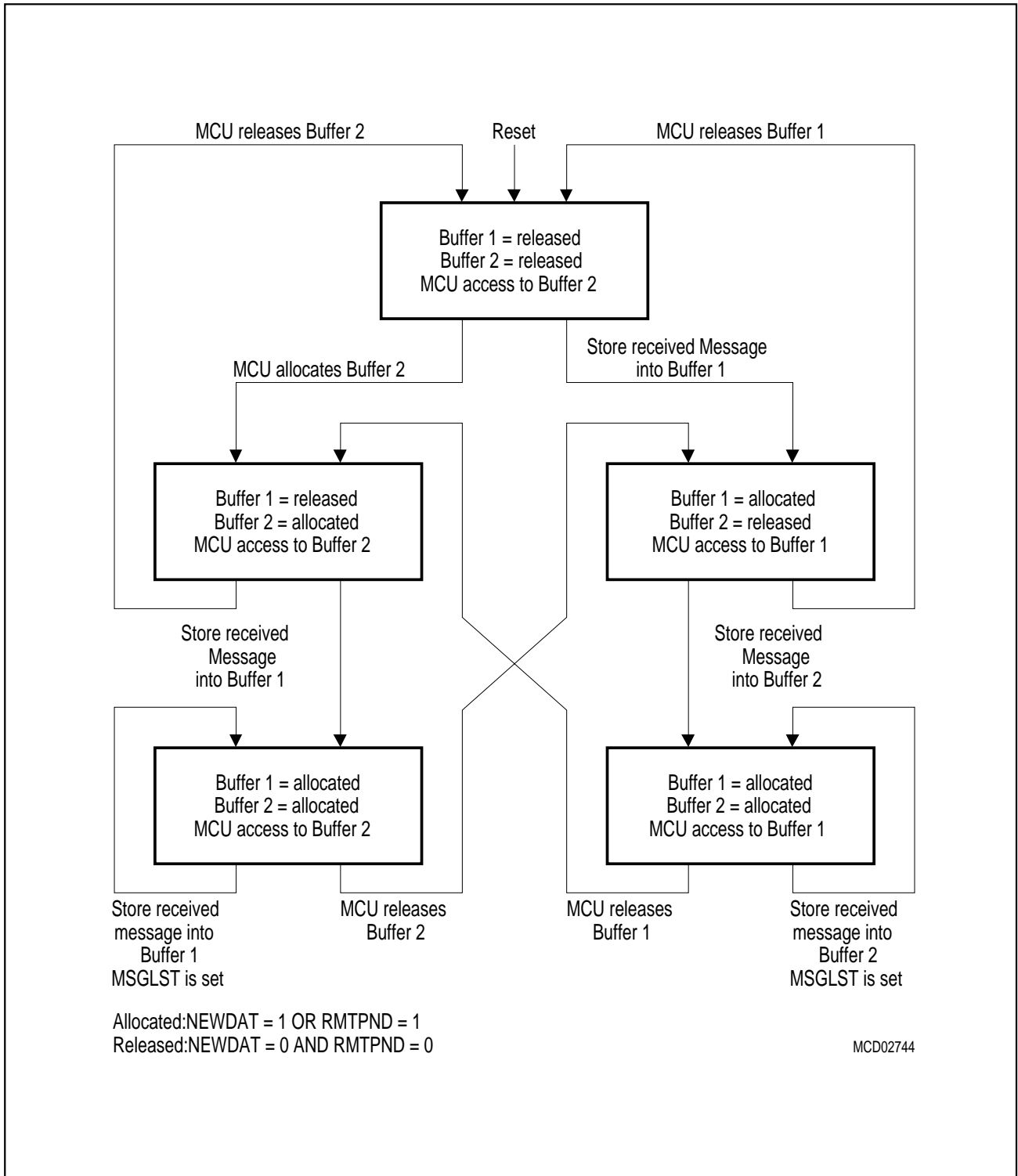


Figure 6-49
Microcontroller Handling of the Last Message Object's Alternating Buffer

6.5.4 Initialization and Reset

The CAN controller is reset by a hardware reset or by a watchdog timer reset of the C515C. A reset operation of the CAN controller performs the following actions :

- sets the TXDC output to “1” (recessive)
- clears the error counters
- resets the busoff state
- switches the control register’s low byte to 01_H
- leaves the control register’s high byte and the interrupt register undefined
- does not change the other registers including the message objects (notified as UUUU)

The first hardware reset after power-on leaves the unchanged registers in an undefined state, of course. The value 01_H in the control register’s low byte prepares for software initialization.

Software Initialization

The software Initialization is enabled by setting bit INIT in the control register. This can be done by the microcontroller via software, or automatically by the CAN controller on a hardware reset, or if the EML switches to busoff state.

While INIT is set

- all message transfer from and to the CAN bus is stopped
- the CAN bus output TXDC is “1” (recessive)
- the control bits NEWDAT and RMTEND of the last message object are reset
- the counters of the EML are left unchanged.

Setting bit CCE in addition, allows to change the configuration in the bit timing register.

For initialization of the CAN Controller, the following actions are required:

- configure the bit timing register (CCE required)
- set the Global Mask Registers
- initialize each message object.

If a message object is not needed, it is sufficient to clear its message valid bit (MSGVAL), ie. to define it as not valid. Otherwise, the whole message object has to be initialized.

After the initialization sequence has been completed, the microcontroller clears the INIT bit.

Now the BSP synchronizes itself to the data transfer on the CAN bus by waiting for the occurrence of a sequence of 11 consecutive recessive bits (ie. bus idle) before it can take part in bus activities and start message transfers.

The initialization of the message objects is independent of the state of bit INIT and can be done on the fly, the message objects should all be configured to particular identifiers or set to not valid before the BSP starts the message transfer, however.

To change the configuration of a message object during normal operation, the microcontroller first clears bit MSGVAL, which defines it as not valid. When the configuration is completed, MSGVAL is set again.

Note that the busoff recovery sequence cannot be shortened by setting or resetting INIT. If the device goes busoff, it will set INIT of its own accord, stopping all bus activities. Once INIT has been cleared by the microcontroller, the device will then wait for 129 occurrences of Bus Idle before

resuming normal operation. At the end of the busoff recovery sequence, the error management counters will be reset.

During the waiting time after the resetting of INIT, each time a sequence of 11 recessive bits has been monitored, a Bit0Error code is written to the control register, enabling the microcontroller to check up whether the CAN bus is stuck at dominant or continuously disturbed and to monitor the proceeding of the busoff recovery sequence.

6.5.5 Configuration of the Bit Timing

According to the CAN specification, a bit time is subdivided into four segments (see **figure 6-50**). Each segment is a multiple of the time quantum t_q . The synchronization segment (Sync-Seg) is always 1 t_q long. The propagation time segment and the phase buffer segment1 (combined to Tseg1) defines the time before the sample point, while phase buffer segment2 (Tseg2) defines the time after the sample point. The length of these segments is programmable (except Sync-Seg).

Note : For exact definition of these segments please refer to the CAN specification.

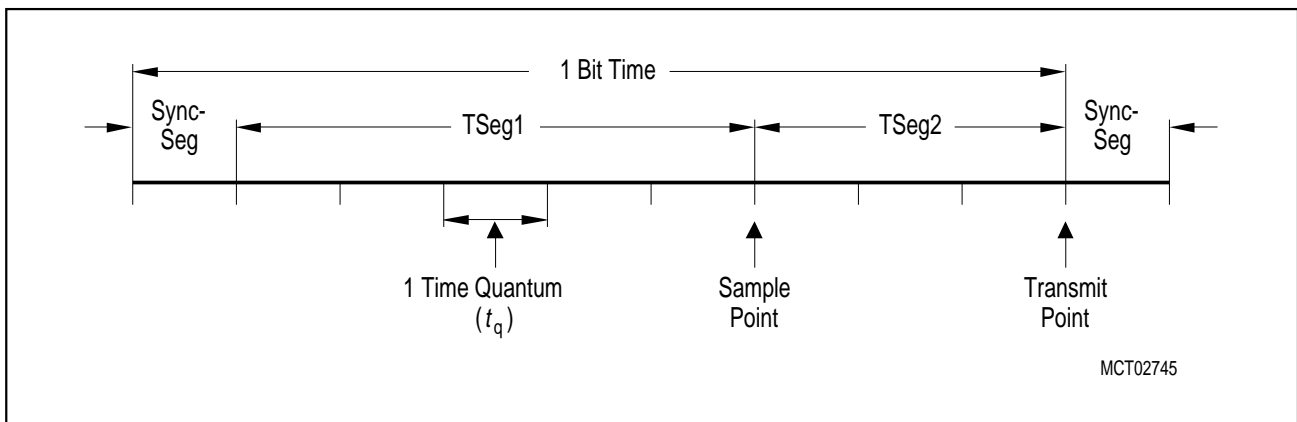


Figure 6-50
Bit Timing Definition

The bit time is determined by the C515C clock period CLP (see AC characteristics), the Baud Rate Prescaler, and the number of time quanta per bit:

$$\begin{aligned}
 \text{bit time} &= t_{\text{Sync-Seg}} + t_{\text{TSeg1}} + t_{\text{TSeg2}} \\
 t_{\text{Sync-Seg}} &= 1 \cdot t_q \\
 t_{\text{TSeg1}} &= (TSEG1 + 1) \cdot t_q \quad (= \text{min. } 4 \cdot t_q) \\
 t_{\text{TSeg2}} &= (TSEG2 + 1) \cdot t_q \quad (= \text{min. } 3 \cdot t_q) \\
 t_q &= (BRP + 1) \cdot CLP \quad (= \text{min. CLP})
 \end{aligned}$$

TSEG1, TSEG2, and BRP are the programmed numerical values from the respective fields of the Bit Timing Register.

6.5.5.1 Hard Synchronization and Resynchronization

To compensate phase shifts between clock oscillators of different CAN controllers, any CAN controller has to synchronize on any edge from recessive to dominant bus level, if the edge lies between a sample point and the next synchronization segment, and on any other edge, if it itself does not send a dominant level. If the hard synchronization is enabled (at the start of frame), the bit time is restarted at the synchronization segment, otherwise, the resynchronization jump width (SJW) defines the maximum number of time quanta a bit time may be shortened or lengthened by one resynchronization. The current bit time is adjusted by

$$t_{SJW} = (SJW + 1) \cdot t_q$$

Note : SJW is the programmed numerical value from the respective field of the bit timing register.

6.5.5.2 Calculation of the Bit Time

The programming of the bit time according to the CAN specification depends on the desired baudrate, the CLP microcontroller system clock rate and on the external physical delay times of the bus driver, of the bus line and of the input comparator. These delay times are summarised in the propagation time segment t_{Prop} , where

t_{Prop} is two times the maximum of the sum of physical bus delay, the input comparator delay, and the output driver delay rounded up to the nearest multiple of t_q .

To fulfill the requirements of the CAN specification, the following conditions must be met:

$$t_{TSeg2} \geq 3 \cdot t_q = \text{Information Processing Time}$$

$$t_{TSeg2} \geq t_{SJW}$$

$$t_{TSeg1} \geq 4 \cdot t_q$$

$$t_{TSeg1} \geq t_{SJW} + t_{Prop}$$

Note: In order to achieve correct operation according to the CAN protocol the total bit time should be at least 8 t_q , i.e. $t_{TSeg1} + t_{TSeg2} \geq 7 t_q$.

So, to operate with a baudrate of 1 MBit/sec, the CLP frequency has to be at least 8 MHz.

The maximum tolerance for CLP depends on the phase buffer segment1 (PB1), the phase buffer segment2 (PB2), and the resynchronization jump width (SJW):

$$df \leq \frac{\min (PB1, PB2)}{2 \times (13 \times \text{bit time} - PB2)}$$

AND

$$df \leq \frac{t_{SJW}}{20 \times \text{bit time}}$$

6.5.6 CAN Interrupt Handling

The CAN controller has one interrupt output, which is connected with the interrupt controller unit in the C515C. This interrupt can be enabled/disabled using bit ECAN of SFR IEN2 (further details about interrupt vector, priority, etc. see chapter 7). Additionally, three bits in the CAN control register (XX01H) are used to enable specific interrupt sources for interrupt generation.

Since an interrupt request of the CAN-Module can be generated due to different conditions, the appropriate CAN interrupt status register must be read in the service routine to determine the cause of the interrupt request. The interrupt identifier INTID (a number) in the interrupt register indicates the cause of an interrupt. When no interrupt is pending, the identifier will have the value "00".

If the value in INTID is not "00", then there is an interrupt pending. If bit IE in the control register is set, also the interrupt line is activated. The interrupt line remains active until either INTID gets "00" (ie. the interrupt requester has been serviced) or until IE is reset (ie. interrupts are disabled).

The interrupt with the lowest number has the highest priority. If a higher priority interrupt (lower number) occurs before the current interrupt is processed, INTID is updated and the new interrupt overrides the last one.

Table 6-7 below lists the valid values for INTID and their corresponding interrupt sources.

Table 6-7 : Interrupt IDs

INTID	Cause of the Interrupt
00	Interrupt idle There is no interrupt request pending.
01	Status change interrupt The CAN controller has updated (not necessarily changed) the status register. This can refer to a change of the error status of the CAN controller (EIE is set and BOFF or EWRN change) or to a CAN transfer incident (SIE must be set), like reception or transmission of a message (RXOK or TXOK is set) or the occurrence of a CAN bus error (LEC is updated). The microcontroller may clear RXOK, TXOK, and LEC, however, writing to the status partition of the control register can never generate or reset an interrupt. To update the INTID value the status partition of the control register must be read.
02	Message 15 interrupt Bit INTPND in the message control register of message object 15 (last message) has been set. The last message object has the highest interrupt priority of all message objects. ¹⁾
(2+N)	Message N interrupt: Bit INTPND in the message control register of message object 'N' has been set (N = 1...14). Note that a message interrupt code is only displayed, if there is no other interrupt request with a higher priority. ¹⁾

¹⁾ Bit INTPND of the corresponding message object has to be cleared to give messages with a lower priority the possibility to update INTID or to reset INTID to "00" (idle state).

6.5.7 CAN Controller in Power Saving Modes

Idle mode

In the idle mode of the C515C the CAN controller is fully operable. When a CAN controller interrupt becomes active and the CAN controller interrupt is enabled, the C515C restarts returns to normal operation mode and starts executing the CAN controller interrupt routine.

Slow Down Mode

When the slow down mode is enabled the CAN controller is clocked with the reduced system clock rate (1/32 of the nominal clock rate). Therefore, also the CAN bit timing in slow down mode is reduced to 1/32 of the bit timing in normal mode. The slow down mode can be also combined with idle mode.

Power Down Mode

If the C515C enters software Power Down Mode, the system clock signal is turned off which will stop the operation of the CAN-Module. Any message transfer is interrupted. In order to ensure that the CAN controller is not stopped while sending a dominant level ("0") on the CAN bus, the microcontroller should set bit INIT in the Control Register prior to entering Power Down Mode. The microcontroller can check, if a transmission is in progress by reading bits TXRQ and NEWDAT in the message objects and bit TXOK in the Control Register. After returning from Power Down Mode the CAN-Module has to be reconfigured.

The C515C-8E (OTP version) provides the capability to wake-up the software power down mode through the pin P4.7/RXDC, the CAN receiver input. The selection of the port pin for the wake-up function is controlled by bit WS in SFR PCON1. Details about the wake-up sequence are given in chapter 9.4.2. T

6.5.8 Switch-off Capability of the CAN Controller (C515C-8E only)

For power consumption reasons, the on-chip CAN controller in the C515C-8E can be switched off by setting bit CSWO in SFR SYSCON. When the CAN controller is switched off its clock signal is turned off and the operation of the CAN controller is stopped. This switch-off state of the CAN controller is equal to its state in software power down mode. Any message transfer is interrupted. In order to ensure that the CAN controller is not stopped while sending a dominant level (“0”) on the CAN bus, the microcontroller should set bit INIT in the Control Register prior to setting bit CSWO. The C515C-8E can check, if a transmission is in progress by reading bits TXRQ and NEWDAT in the message objects and bit TXOK in the Control Register. After clearing bit CSWO again the CAN controller has to be reconfigured.

Special Function Register SYSCON (Address B1_H)

Reset Value : XX100001_B

Bit No.	MSB				LSB				
	7	6	5	4	3	2	1	0	
B1 _H	–	PMOD	EALE	RMAP	–	CSWO	XMAP1	XMAP0	SYSCON

The functions of the shaded bits are not described in this section.

Bit	Function
–	Reserved bits for future use. Read by CPU returns undefined values.
CSWO	CAN controller switch-off bit CSWO = 0 : CAN controller is enabled (default after reset). CSWO = 1 : CAN controller is switched off.

When the C515C-8E is put into software power down mode, bit CSWO is not affected. This means, when software power down mode is entered with CAN controller switched off, the CAN controller stays in switch-off state after the wake-up from software power down mode has been left.

6.5.9 Configuration Examples of a Transmission Object

The microcontroller wishes to configure an object for transmission. It wants to allow automatic transmission in response to remote frames but does not wish to receive interrupts for this object.

Initialization: The identifier and direction are set up.

Message Control Register

Bit No.	MSB				LSB				
	7	6	5	4	3	2	1	0	
	1	0	0	1	0	1	0	1	MCR0
	MSGVAL		TXIE		RXIE		INTPND		
	0	1	0	1	1	0	0	1	MCR1
	RMT PND		TXRQ		CPUUPD		NEWDAT		

CPUUPD is initially set, as the data bytes for the message have not yet been initialized.

Configuration after remote frame received.

Message Control Register

Bit No.	MSB				LSB				
	7	6	5	4	3	2	1	0	
	1	0	0	1	0	1	0	1	MCR0
	MSGVAL		TXIE		RXIE		INTPND		
	1	0	1	0	1	0	0	1	MCR1
	RMT PND		TXRQ		CPUUPD		NEWDAT		

After updating the message the microcontroller should clear CPUUPD and set NEWDAT. If the microcontroller wants to transmit the message it should also set TXRQ, which should otherwise be left alone.

6.5.10 Configuration Examples of a Reception Object

The microcontroller wishes to configure an object for reception. It wishes to receive an interrupt each time new data comes in. From time to time the microcontroller sends a remote request to trigger the sending of this data from a remote node.

Initialization: The identifier and direction are set up.

Message Control Register

Bit No.	MSB				LSB				
	7	6	5	4	3	2	1	0	
	1	0	0	1	1	0	0	1	MCR0
	MSGVAL		TXIE		RXIE		INTPND		
	0	1	0	1	0	1	0	1	MCR1
	RMTDND		TXRQ		MSGLST		NEWDAT		

Configuration after reception of data.

Message Control Register

Bit No.	MSB				LSB				
	7	6	5	4	3	2	1	0	
	1	0	0	1	1	0	1	0	MCR0
	MSGVAL		TXIE		RXIE		INTPND		
	0	1	0	1	0	1	1	0	MCR1
	RMTDND		TXRQ		MSGLST		NEWDAT		

To process the message the microcontroller should clear IntPnd, clear NewDat, process the data, and check that NewDat is still clear. If not, it should repeat the process again. To send a remote frame to request the data, the microcontroller simply needs to set the TXRQ bit. This bit will be cleared by the CAN controller, once the remote frame has been sent or if the data is received before the CAN controller could transmit the remote frame.

6.5.11 The CAN Application Interface

The on-chip CAN controller of the C515C does not incorporate the physical layer that connects to the CAN bus. This must be provided externally. The module's CAN controller is connected to this physical layer (ie. the CAN bus) via two signals:

CAN Signal	Function
P4.7 / RXDC	Receive data from the physical layer of the CAN bus.
P4.6 / TXDC	Transmit data to the physical layer of the CAN bus.

A logic low level ("0") is interpreted as the dominant CAN bus level, a logic high level ("1") is interpreted as the recessive CAN bus level.

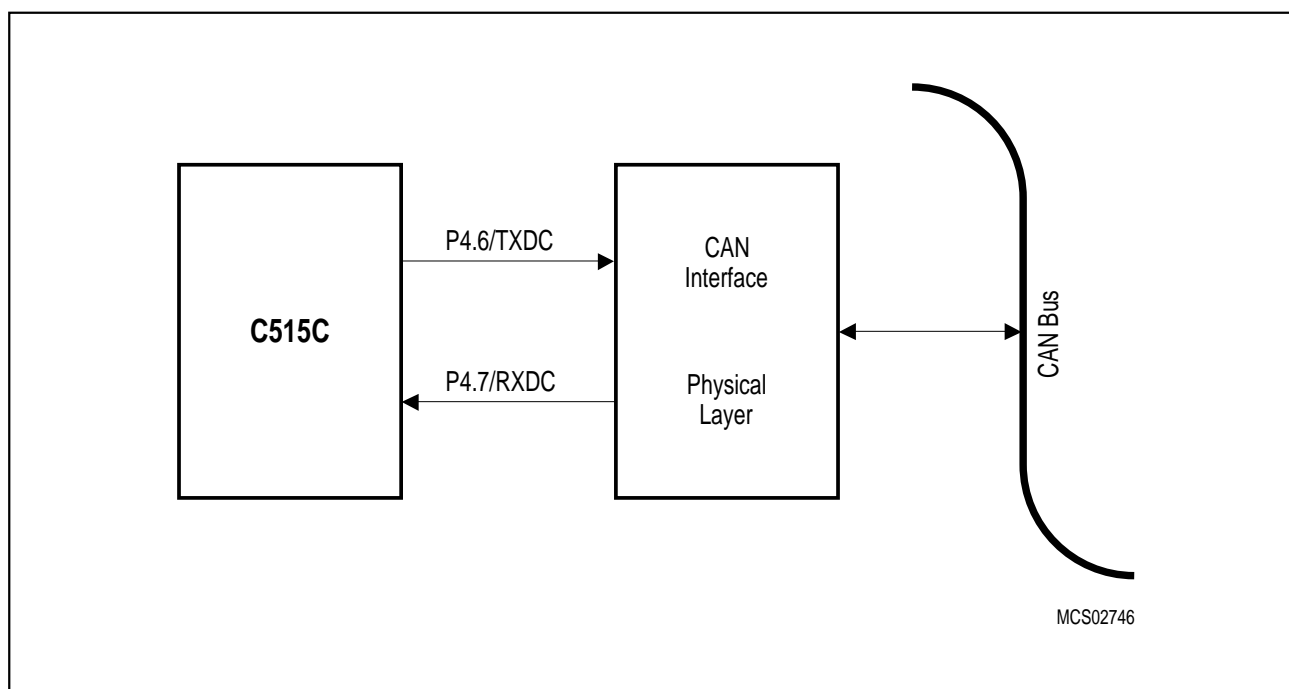


Figure 6-51
Connection to the CAN Bus

6.6 A/D Converter

The C515C includes a high performance / high speed 10-bit A/D-Converter (ADC) with 8 analog input channels. It operates with a successive approximation technique and uses self calibration mechanisms for reduction and compensation of offset and linearity errors. The A/D converter provides the following features:

- 8 multiplexed input channels (port 6), which can also be used as digital inputs
- 10-bit resolution
- Single or continuous conversion mode
- Internal or external start-of-conversion trigger capability
- Interrupt request generation after each conversion
- Using successive approximation conversion technique via a capacitor array
- Built-in hidden calibration of offset and linearity errors

The externally applied reference voltage range has to be held on a fixed value within the specifications. The main functional blocks of the A/D converter are shown in **figure 6-52**.

6.6.1 A/D Converter Operation

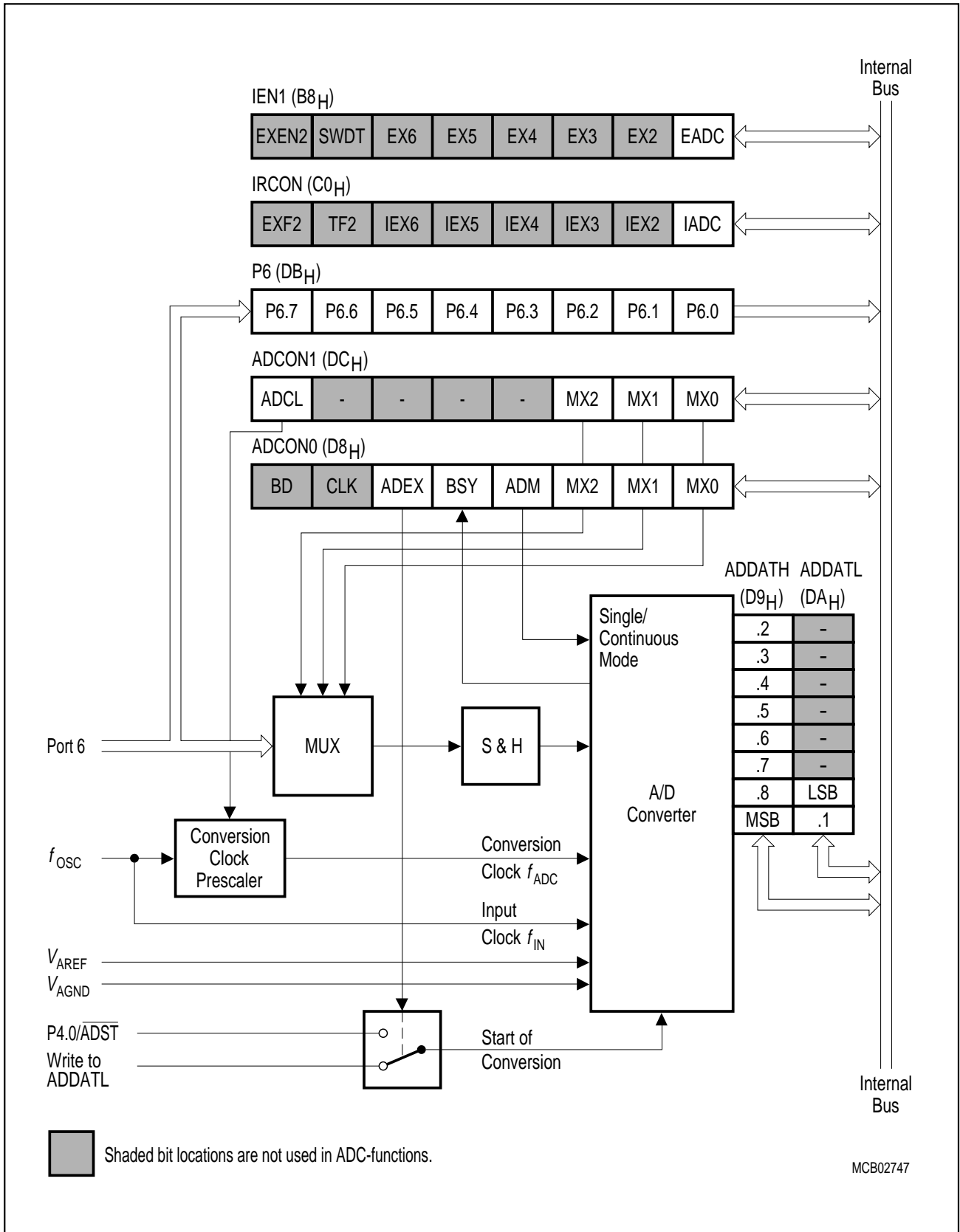
An internal start of a single A/D conversion is triggered by a write-to-ADDATL instruction. The start procedure itself is independent of the value which is written to ADDATL. When single conversion mode is selected (bit ADM=0) only one A/D conversion is performed. In continuous mode (bit ADM=1), after completion of an A/D conversion a new A/D conversion is triggered automatically until bit ADM is reset.

An externally controlled conversion can be achieved by setting the bit ADEX. In this mode one single A/D conversion is triggered by a 1-to-0 transition at pin P4.0/ $\overline{\text{ADST}}$ (when ADM is 0). P4.0/ $\overline{\text{ADST}}$ is sampled during S5P2 of every machine cycle. When the samples show a logic high in one cycle and a logic low in the next cycle the transition is detected and the A/D conversion is started. When ADM and ADEX is set, a continuous conversion is started when pin P4.0/ $\overline{\text{ADST}}$ sees a low level. Only if no A/D conversion (single or continuous) has occurred after the last reset operation, a 1-to-0 transition is required at pin P4.0/ $\overline{\text{ADST}}$ for starting the continuous conversion mode externally. The continuous A/D conversion is stopped when the pin P4.0/ $\overline{\text{ADST}}$ goes back to high level. The last running A/D conversion during P4.0/ $\overline{\text{ADST}}$ low level will be completed.

The busy flag BSY (ADCON0.4) is automatically set when an A/D conversion is in progress. After completion of the conversion it is reset by hardware. This flag can be read only, a write has no effect. The interrupt request flag IADC (IRCON.0) is set when an A/D conversion is completed.

The bits MX0 to MX2 in special function register ADCON0 and ADCON1 are used for selection of the analog input channel. The bits MX0 to MX2 are represented in both registers ADCON0 and ADCON1; however, these bits are present only once. Therefore, there are two methods of selecting an analog input channel : If a new channel is selected in ADCON1 the change is automatically done in the corresponding bits MX0 to MX2 in ADCON0 and vice versa.

Port 4 is a dual purpose input port. If the input voltage meets the specified logic levels, it can also be used as digital inputs regardless of whether the pin levels are sampled by the A/D converter at the same time.



MCB02747

Figure 6-52
Block Diagram of the A/D Converter

6.6.2 A/D Converter Registers

This section describes the bits/functions of all registers which are used by the A/D converter.

Special Function Register ADDATH (Address D9_H)

Reset Value : 00_H

Special Function Register ADDATL (Address DA_H)

Reset Value : 00XXXXXX_B

Bit No.	MSB							LSB		
	7	6	5	4	3	2	1	0		
D9 _H	MSB .9	.8	.7	.6	.5	.4	.3	.2	ADDATH	
DA _H	.1	LSB .0	–	–	–	–	–	–	ADDATL	

The registers ADDATH and ADDATL hold the 10-bit conversion result in left justified data format. The most significant bit of the 10-bit conversion result is bit 7 of ADDATH. The least significant bit of the 10-bit conversion result is bit 6 of ADDATL. To get a 10-bit conversion result, both ADDATH register must be read. If an 8-bit conversion result is required, only the reading of ADDATH is necessary. The data remains in ADDATH until it is overwritten by the next converted data. ADDATH can be read or written under software control. If the A/D converter of the C515C is not used, register ADDATH can be used as an additional general purpose register.

Special Function Register ADCON0 (Address D8_H)
Special Function Register ADCON1 (Address DC_H)

Reset Value : 00_H
Reset Value : 0XXXX00_B

Bit No.	MSB							LSB	
	7	6	5	4	3	2	1	0	
D8 _H	BD	CLK	ADEX	BSY	ADM	MX2	MX1	MX0	ADCON0
DC _H	ADCL	-	-	-	-	MX2	MX1	MX0	ADCON1

The shaded bits are not used for A/D converter control.

Bit	Function																																				
-	Reserved bits for future use																																				
ADEX	Internal / external start of conversion When set, the external start of an A/D conversion by a falling edge at pin P4.0/ \overline{ADST} is enabled.																																				
BSY	Busy flag This flag indicates whether a conversion is in progress (BSY = 1). The flag is cleared by hardware when the conversion is finished.																																				
ADM	A/D conversion mode When set, a continuous A/D conversion is selected. If cleared during a running A/D conversion, the conversion is stopped at its end.																																				
MX2 - MX0	A/D converter input channel select bits Bits MX2-0 can be written or read either in ADCON0 or ADCON1. The channel selection done by writing to ADCON 1(0) overwrites the selection in ADCON 0(1) when ADCON 1(0) is written after ADCON 0(1). The analog inputs are selected according the following table :																																				
	<table border="1"> <thead> <tr> <th>MX2</th> <th>MX1</th> <th>MX0</th> <th>Selected Analog Input</th> </tr> </thead> <tbody> <tr> <td>0</td> <td>0</td> <td>0</td> <td>P6.0 / AIN0</td> </tr> <tr> <td>0</td> <td>0</td> <td>1</td> <td>P6.1 / AIN1</td> </tr> <tr> <td>0</td> <td>1</td> <td>0</td> <td>P6.2 / AIN2</td> </tr> <tr> <td>0</td> <td>1</td> <td>1</td> <td>P6.3 / AIN3</td> </tr> <tr> <td>1</td> <td>0</td> <td>0</td> <td>P6.2 / AIN4</td> </tr> <tr> <td>1</td> <td>0</td> <td>1</td> <td>P6.3 / AIN5</td> </tr> <tr> <td>1</td> <td>1</td> <td>0</td> <td>P6.4 / AIN6</td> </tr> <tr> <td>1</td> <td>1</td> <td>1</td> <td>P6.5 / AIN7</td> </tr> </tbody> </table>	MX2	MX1	MX0	Selected Analog Input	0	0	0	P6.0 / AIN0	0	0	1	P6.1 / AIN1	0	1	0	P6.2 / AIN2	0	1	1	P6.3 / AIN3	1	0	0	P6.2 / AIN4	1	0	1	P6.3 / AIN5	1	1	0	P6.4 / AIN6	1	1	1	P6.5 / AIN7
MX2	MX1	MX0	Selected Analog Input																																		
0	0	0	P6.0 / AIN0																																		
0	0	1	P6.1 / AIN1																																		
0	1	0	P6.2 / AIN2																																		
0	1	1	P6.3 / AIN3																																		
1	0	0	P6.2 / AIN4																																		
1	0	1	P6.3 / AIN5																																		
1	1	0	P6.4 / AIN6																																		
1	1	1	P6.5 / AIN7																																		

Bit	Function						
ADCL	<p>A/D converter clock prescaler selection</p> <p>ADCL selects the prescaler ratio for the A/D conversion clock f_{ADC}. Depending on the clock rate f_{OSC} of the C515C, f_{ADC} must be adjusted in a way that the resulting conversion clock f_{ADC} is less or equal 2 MHz.</p> <p>The prescaler ratio is selected according the following table :</p> <table border="1" style="margin-left: 20px;"> <thead> <tr> <th>ADCL</th> <th>f_{ADC} Prescaler Ratio</th> </tr> </thead> <tbody> <tr> <td>0</td> <td>divide by 4 (default after reset)</td> </tr> <tr> <td>1</td> <td>divide by 8</td> </tr> </tbody> </table>	ADCL	f_{ADC} Prescaler Ratio	0	divide by 4 (default after reset)	1	divide by 8
ADCL	f_{ADC} Prescaler Ratio						
0	divide by 4 (default after reset)						
1	divide by 8						

Note : Generally, before entering the power-down mode, an A/D conversion in progress must be stopped. If a single A/D conversion is running, it must be terminated by polling the BSY bit or waiting for the A/D conversion interrupt. In continuous conversion mode, bit ADM must be cleared and the last A/D conversion must be terminated before entering the power-down mode.

A single A/D conversion is started by writing to SFR ADDATL with dummy data. A continuous conversion is started under the following conditions :

- By setting bit ADM during a running single A/D conversion
- By setting bit ADM when at least one A/D conversion has occurred after the last reset operation.
- By writing ADDATL with dummy data after bit ADM has been set before (if no A/D conversion has occurred after the last reset operation).

When bit ADM is reset by software in continuous conversion mode, the just running A/D conversion is stopped after its end.

The A/D converter interrupt is controlled by bits which are located in the SFRs IEN1 and IRCON.

Special Function Register IEN1 (Address B8_H)

Reset Value : 00_H

Special Function Register IRCON (Address C0_H)

Reset Value : 00_H

Bit No.	MSB							LSB	
	BF _H	BE _H	BD _H	BC _H	BB _H	BA _H	B9 _H	B8 _H	
B8 _H	EXEN2	SWDT	EX6	EX5	EX4	EX3	EX2	EADC	IEN1
	C7 _H	C6 _H	C5 _H	C4 _H	C3 _H	C2 _H	C1 _H	C0 _H	
C0 _H	EXF2	TF2	IEX6	IEX5	IEX4	IEX3	IEX2	IADC	IRCON

The shaded bits are not used for A/D converter control.

Bit	Function
EADC	Enable A/D converter interrupt If EADC = 0, the A/D converter interrupt is disabled.
IADC	A/D converter interrupt request flag Set by hardware at the end of an A/D conversion. Must be cleared by software.

6.6.3 A/D Converter Clock Selection

The ADC uses two clock signals for operation : the conversion clock f_{ADC} ($=1/t_{ADC}$) and the input clock f_{IN} ($=1/t_{IN}$). f_{ADC} is derived from the C515C system clock f_{OSC} which is applied at the XTAL pins via the ADC clock prescaler as shown in **figure 6-53**. The input clock f_{IN} is equal to f_{OSC} . The conversion f_{ADC} clock is limited to a maximum frequency of 2 MHz. Therefore, the ADC clock prescaler must be programmed to a value which assures that the conversion clock does not exceed 2 MHz. The prescaler ratio is selected by the bit ADCL of SFR ADCON1.

The table in **figure 6-53** shows the prescaler ratio which must be selected by ADCL for typical system clock rates. Up to 8 MHz system clock the prescaler ratio 4 is selected. Using a system clock greater than 8 MHz, the prescaler ratio of 8 must be selected. At system clock frequencies below 8 MHz the prescaler ratio 8 can be used when the maximum performance of the A/D converter is not necessarily required or the input impedance of the analog source is too high to reach the maximum accuracy.

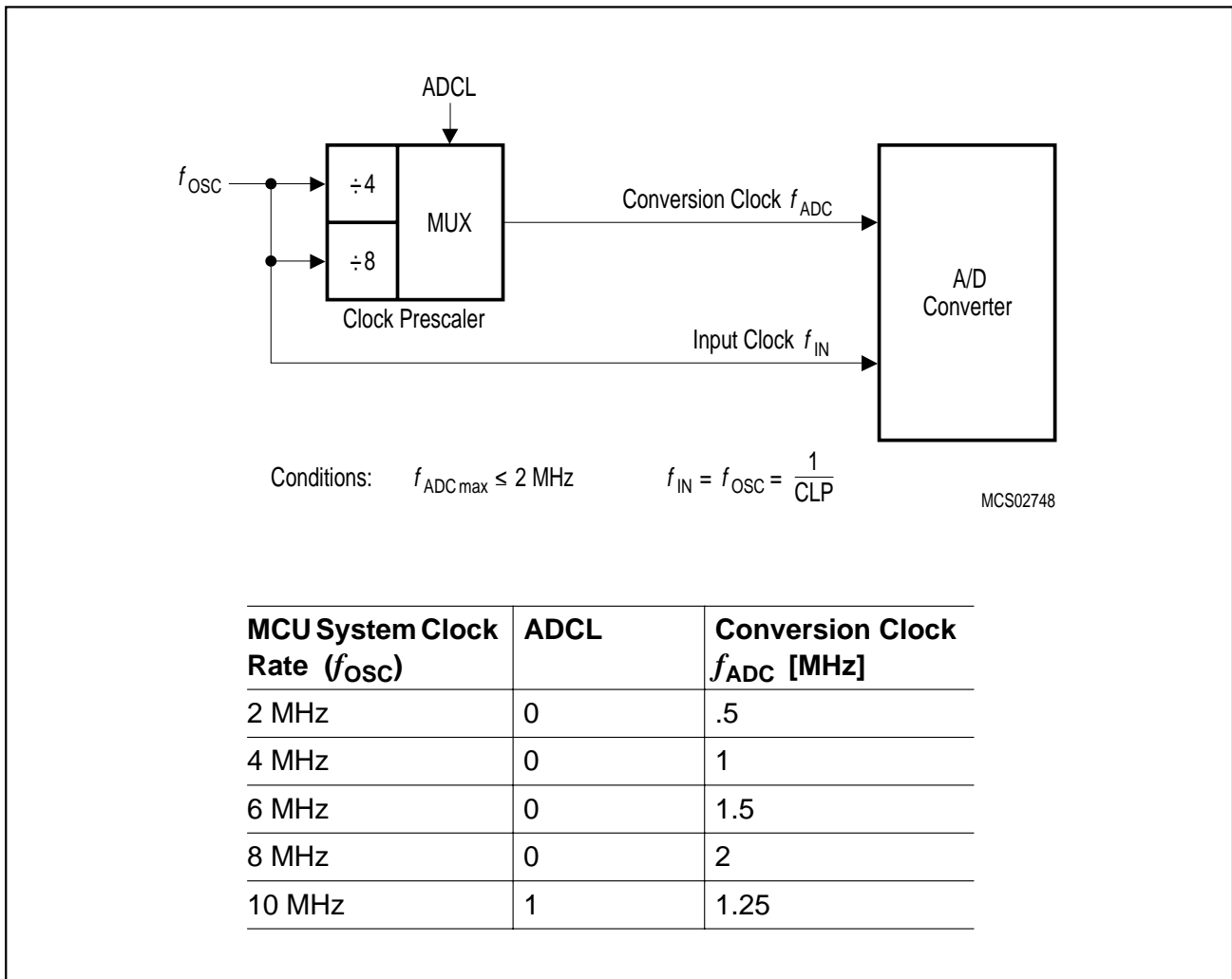


Figure 6-53
A/D Converter Clock Selection

The duration of an A/D conversion is a multiple of the period of the f_{IN} clock signal. The calculation of the A/D conversion time is shown in the next section.

6.6.4 A/D Conversion Timing

An A/D conversion is internally started by writing into the SFR ADDATL with dummy data. A write to SFR ADDATL will start a new conversion even if a conversion is currently in progress. The conversion begins with the next machine cycle, and the BSY flag in SFR ADCON0 will be set. The A/D conversion procedure is divided into three parts :

- Sample phase (t_S), used for sampling the analog input voltage.
- Conversion phase (t_{CO}), used for the real A/D conversion (including calibration).
- Write result phase (t_{WR}), used for writing the conversion result into the ADDAT registers.

The total A/D conversion time is defined by t_{ADCC} which is the sum of the two phase times t_S and t_{CO} . The duration of the three phases of an A/D conversion is specified by their corresponding timing parameter as shown in **figure 6-54**.

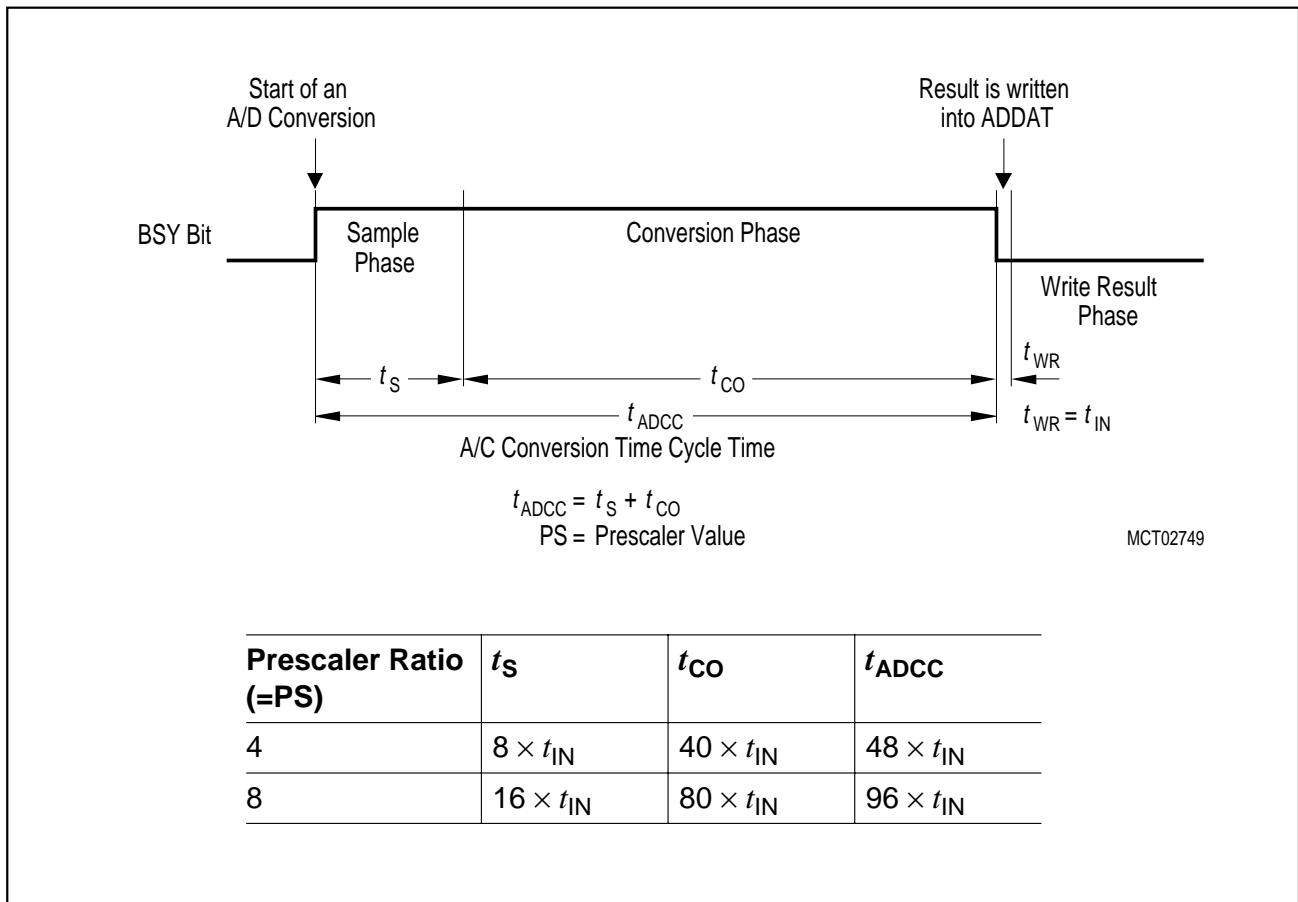


Figure 6-54
A/D Conversion Timing

Sample Time t_S :

During this time the internal capacitor array is connected to the selected analog input channel and is loaded with the analog voltage to be converted. The analog voltage is internally fed to a voltage comparator. With beginning of the sample phase the BSY bit in SFR ADCON0 is set.

Conversion Time t_{CO} :

During the conversion time the analog voltage is converted into a 10-bit digital value using the successive approximation technique with a binary weighted capacitor network. During an A/D conversion also a calibration takes place. During this calibration alternating offset and linearity calibration cycles are executed (see also section 6.6.5). At the end of the calibration time the BSY bit is reset and the IADC bit in SFR IRCON is set indicating an A/D converter interrupt condition.

Write Result Time t_{WR} :

At the result phase the conversion result is written into the ADDAT registers.

Figure 6-55 shows how an A/D conversion is embedded into the microcontroller cycle scheme using the relation $6 \times t_{IN} = 1$ instruction cycle. It also shows the behaviour of the busy flag (BSY) and the interrupt flag (IADC) during an A/D conversion.

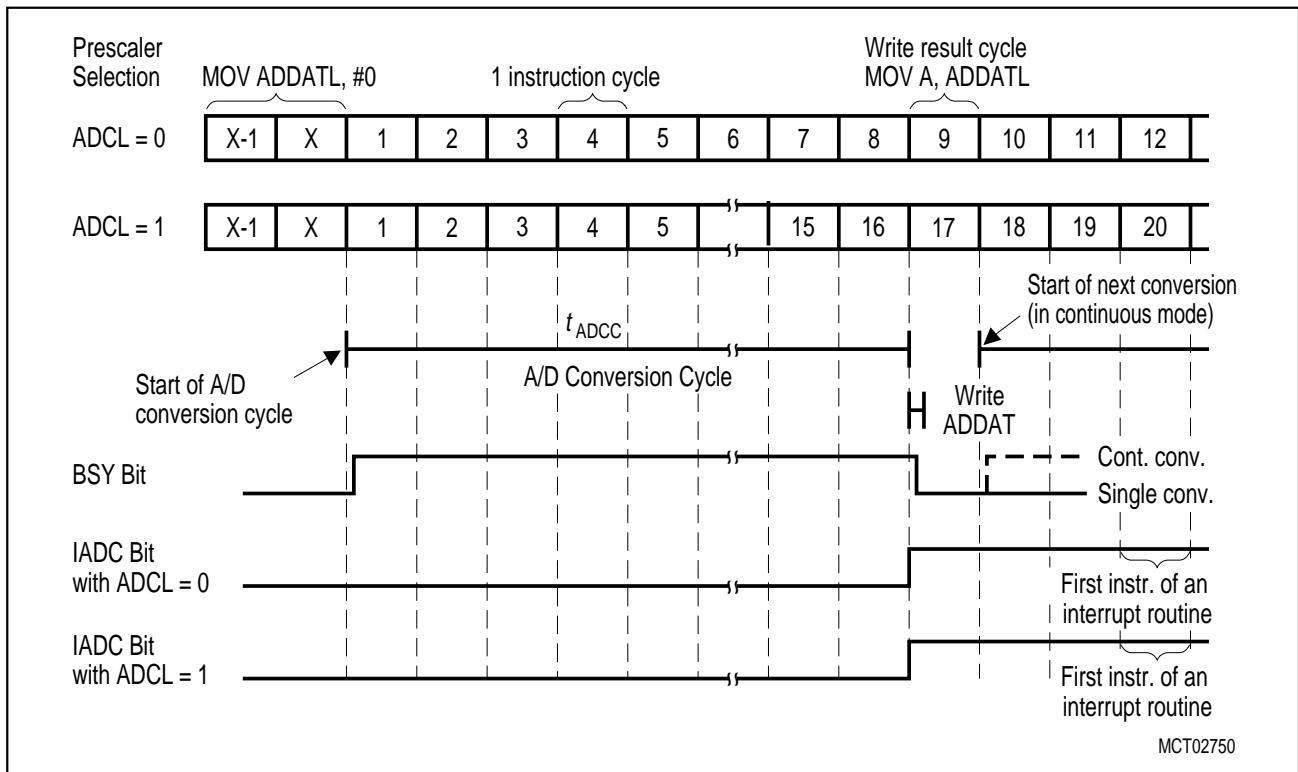


Figure 6-55
A/D Conversion Timing in Relation to Processor Cycles

Depending on the selected prescaler ratio (see **figure 6-53**), two different relationships between machine cycles and A/D conversion are possible. The A/D conversion is always started with the beginning of a processor cycle when it has been started by writing SFR ADDATL with dummy data or after an high-to-low transition has been detected at P4.0/ADST. The ADDATL write operation may take one or two machine cycles. In **figure 6-55**, the instruction `MOV ADDATL,#0` starts the A/D conversion (machine cycle X-1 and X). The total A/D conversion (sample and conversion phase) is finished with the end of the 8th or 16th machine cycle after the A/D conversion start. In the next machine cycle the conversion result is written into the ADDAT registers and can be read in the same cycle by an instruction (e.g. `MOV A,ADDATL`). If continuous conversion is selected (bit ADM set), the next conversion is started with the beginning of the machine cycle which follows the write result cycle.

The BSY bit is set at the beginning of the first A/D conversion machine cycle and reset at the beginning of the write result cycle. If continuous conversion is selected, BSY is again set with the beginning of the machine cycle which follows the write result cycle.

The interrupt flag IADC is set at the end of the A/D conversion. If the A/D converter interrupt is enabled and the A/D converter interrupt is prioritized to be serviced immediately, the first instruction of the interrupt service routine will be executed in the third machine cycle which follows the write result cycle. IADC must be reset by software.

Depending on the application, typically there are three methods to handle the A/D conversion in the C515C.

- Software delay
The machine cycles of the A/D conversion are counted and the program executes a software delay (e.g. NOPs) before reading the A/D conversion result in the write result cycle. This is the fastest method to get the result of an A/D conversion.
- Polling BSY bit
The BSY bit is polled and the program waits until BSY=0. Attention : a polling JB instruction which is two machine cycles long, possibly may not recognize the BSY=0 condition during the write result cycle in the continuous conversion mode.
- A/D conversion interrupt
After the start of an A/D conversion the A/D converter interrupt is enabled. The result of the A/D conversion is read in the interrupt service routine. If other C515C interrupts are enabled, the interrupt latency must be regarded. Therefore, this software method is the slowest method to get the result of an A/D conversion.

Depending on the oscillator frequency of the C515C and the selected divider ratio of the conversion clock prescaler the total time of an A/D conversion is calculated according **figure 6-54** and **table 6-8**. **Figure 6-56** on the next page shows the minimum A/D conversion time in relation to the oscillator frequency f_{OSC} . The minimum conversion time is 6 μ s and can be achieved at f_{OSC} of 8 MHz.

Table 6-8
A/D Conversion Time for Dedicated System Clock Rates

f_{OSC} [MHz]	Prescaler Ratio PS	f_{ADC} [MHz]	Sample Time t_S [μ s]	Total Conversion Time t_{ADCC} [μ s]
2 MHz	÷ 4	.5	4	24
4 MHz	÷ 4	1	2	12
6 MHz	÷ 4	1.5	1.33	8
8 MHz	÷ 4	2	1	6
10 MHz	÷ 8	1.25	1.6	9.6

Note : The prescaler ratios in **table 6-8** are minimum values. At system clock rates (f_{OSC}) up to 8 MHz the divider ratio 4 and 8 can be used. At system clock rates greater than 8 MHz divider ratio 8 must be used. Using higher divider ratios than required increases the total conversion time but can be useful in applications which have voltage sources with higher input resistances for the analog inputs (increased sample phase).

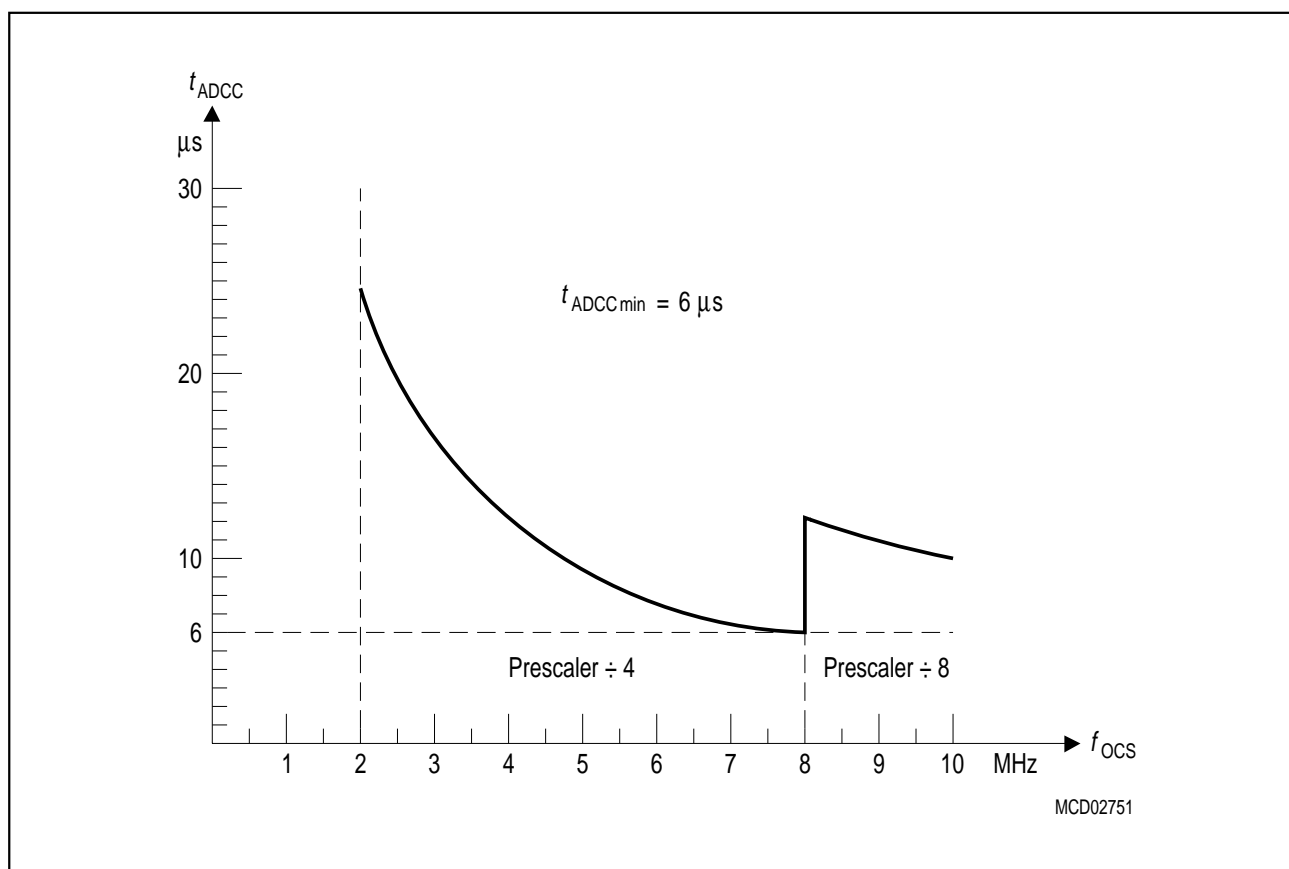


Figure 6-56
Minimum A/D Conversion Time in Relation to System Clock

6.6.5 A/D Converter Calibration

The C515C A/D converter includes hidden internal calibration mechanisms which assure a save functionality of the A/D converter according to the DC characteristics. The A/D converter calibration is implemented in a way that a user program which executes A/D conversions is not affected by its operation. Further, the user program has no control on the calibration mechanism. The calibration itself executes two basic functions :

- Offset calibration : compensation of the offset error of the internal comparator
- Linearity calibration : correction of the binary weighted capacitor network

The A/D converter calibration operates in two phases : calibration after a reset operation and calibration at each A/D conversion. The calibration phases are controlled by a state machine in the A/D converter. This state machine executes the calibration phases and stores the calibration results dynamically in a small calibration RAM.

After a reset operation the A/D calibration is automatically started. This reset calibration phase which takes $3328 f_{ADC}$ clocks, alternating offset and linearity calibration is executed. Therefore, at 8 MHz oscillator frequency and with the default after reset prescaler value of 4, a reset calibration time of approx. 1.66 ms is reached. For achieving a proper reset calibration, the f_{ADC} prescaler value must satisfy the condition $f_{ADC \max} \leq 2$ MHz.

After the reset calibration phase the A/D converter is calibrated according to its DC characteristics. Nevertheless, during the reset calibration phase single or continuous A/D can be executed. In this case it must be regarded that the reset calibration is interrupted and continued after the end of the A/D conversion. Therefore, interrupting the reset calibration phase by A/D conversions extends the total reset calibration time. If the specified total unadjusted error (TUE) has to be valid for an A/D conversion, it is recommended to start the first A/D conversions after reset when the reset calibration phase is finished. When programming the bit ADCL to '1' directly after reset (required for oscillator clocks greater or equal 8 MHz) the clock prescaler ratio ÷8 is selected and therefore the reset calibration phase will be extended by factor 2.

After the reset calibration, a second calibration mechanism is initiated. This calibration is coupled to each A/D conversion. With this second calibration mechanism alternatively offset and linearity calibration values, stored in the calibration RAM, are always checked when an A/D conversion is executed and corrected if required.

7 Interrupt System

The C515C provides 17 interrupt sources with four priority levels. Seven interrupts can be generated by the on-chip peripherals (timer 0, timer 1, timer 2, serial interface, A/D converter, SSC interface, CAN controller), and ten interrupts may be triggered externally (P1.5/T2EX, P3.2/ $\overline{\text{INT0}}$, P3.3/ $\overline{\text{INT1}}$, P1.4/ $\overline{\text{INT2}}$, P1.0/ $\overline{\text{INT3}}$, P1.1/INT4, P1.2/INT5, P1.3/INT6, P7.0/ $\overline{\text{INT7}}$, P4.5/ $\overline{\text{INT8}}$). The wake-up from power-down mode interrupt has a special functionality which allows to exit from the software power-down mode by a short low pulse at pin P3.2/ $\overline{\text{INT0}}$.

This chapter shows the interrupt structure, the interrupt vectors and the interrupt related special function registers. **Figure 7-1** to **7-3** give a general overview of the interrupt sources and illustrate the request and the control flags which are described in the next sections.

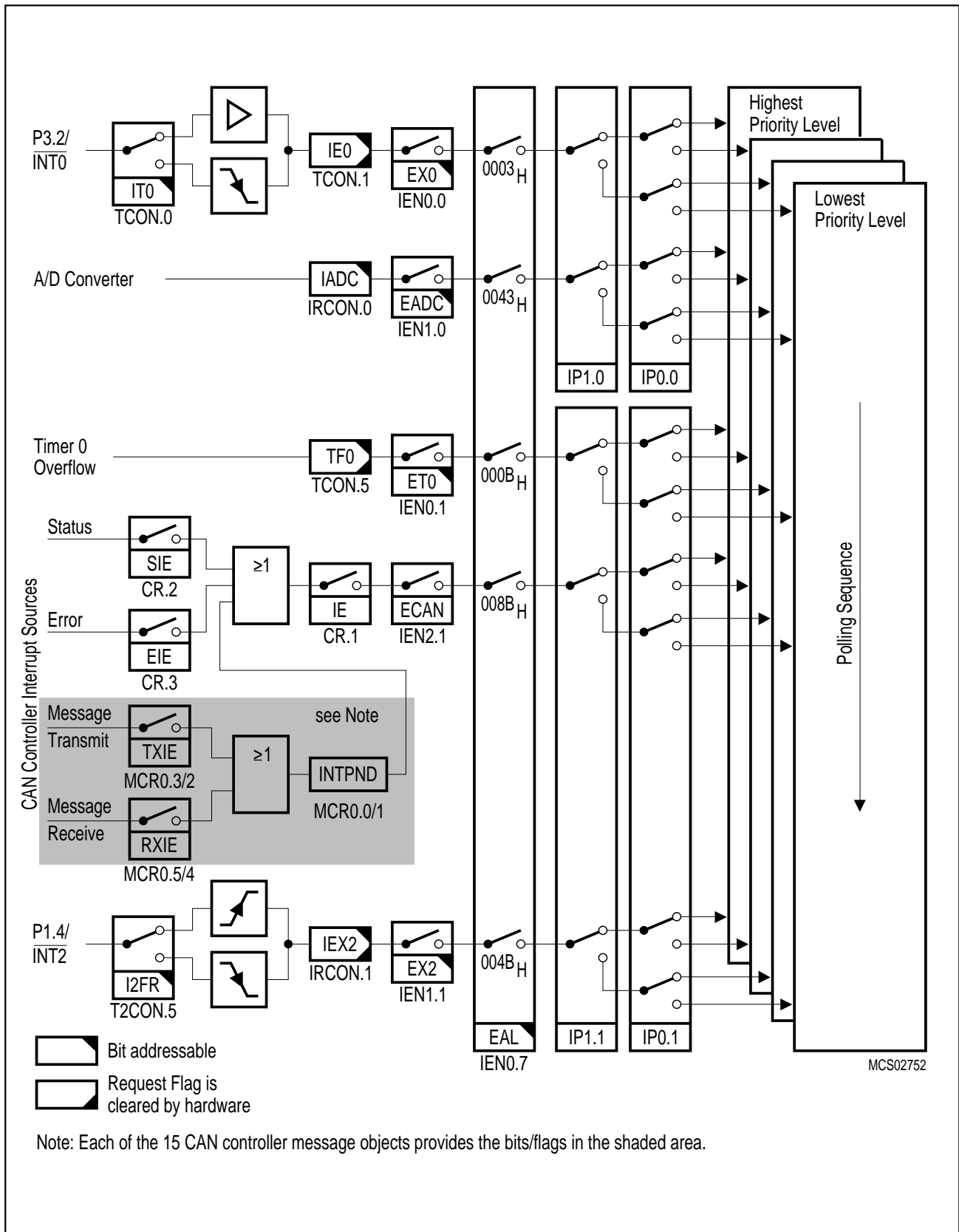


Figure 7-1
Interrupt Structure, Overview Part 1

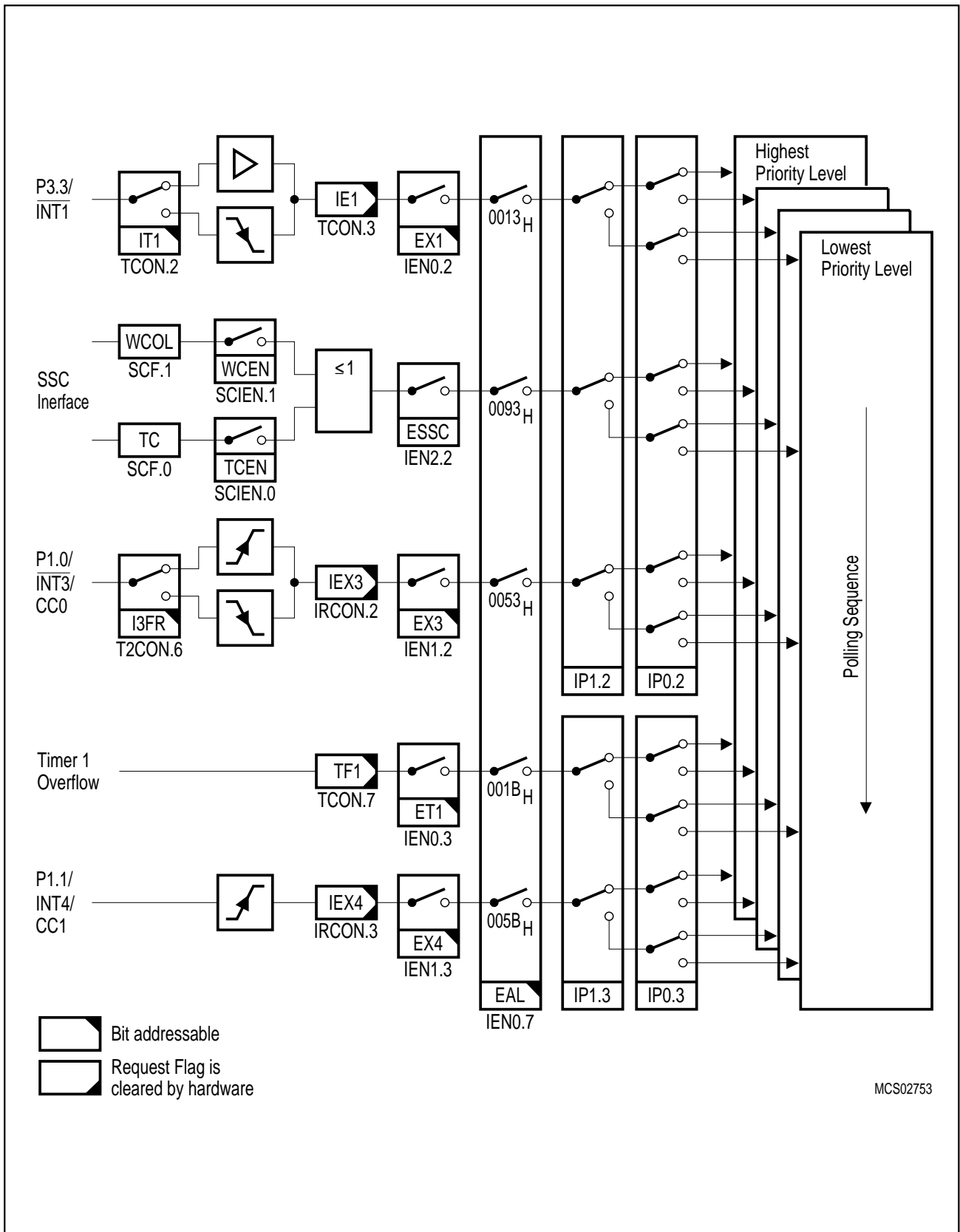


Figure 7-2
Interrupt Structure, Overview Part 2

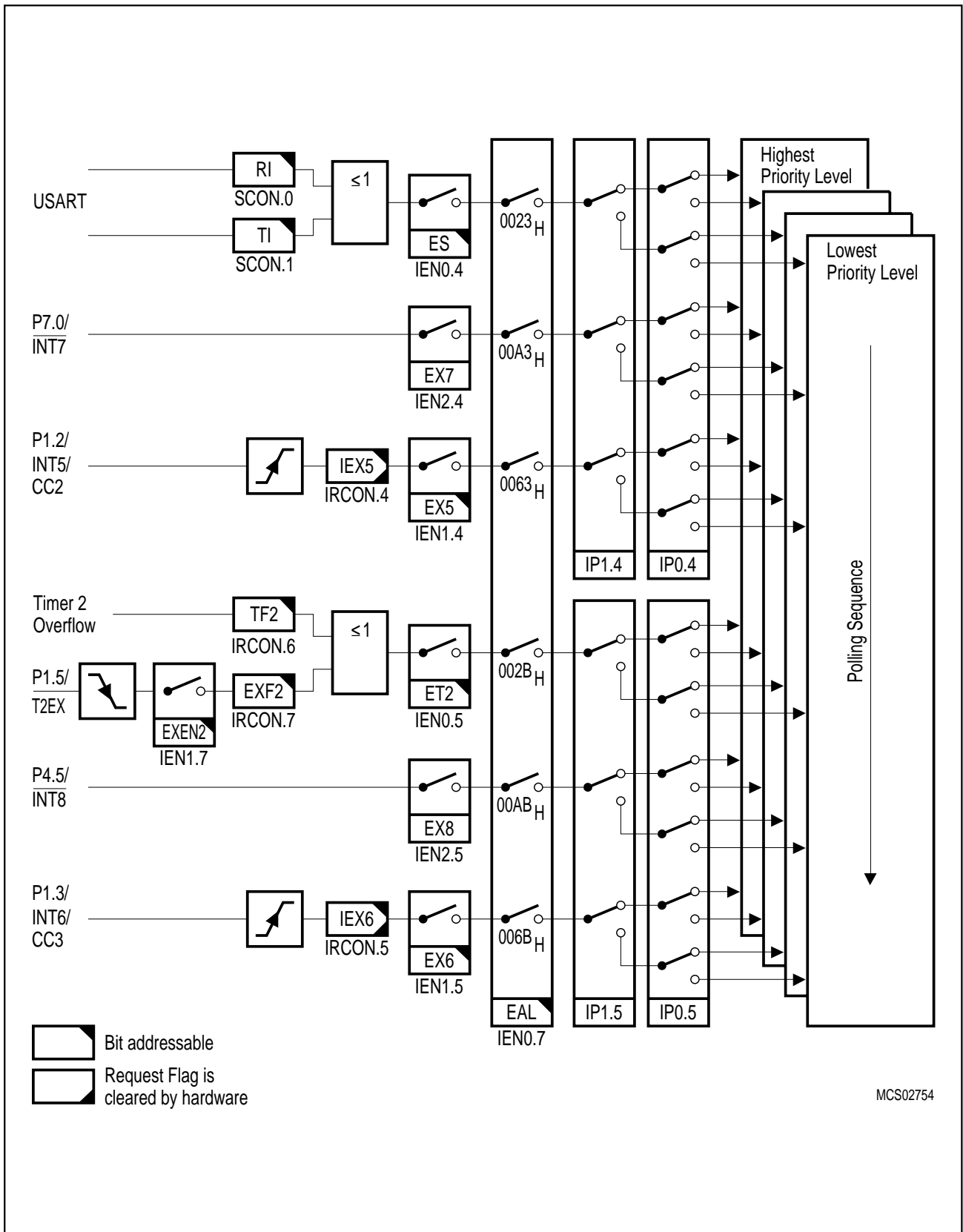


Figure 7-3
Interrupt Structure, Overview Part 3

7.1 Interrupt Registers

7.1.1 Interrupt Enable Registers

Each interrupt vector can be individually enabled or disabled by setting or clearing the corresponding bit in the interrupt enable registers IEN0, IEN1, IEN2, or SCIEN. Register IEN0 also contains the global disable bit (EAL), which can be cleared to disable all interrupts at once. Generally, after reset all interrupt enable bits are set to 0. That means that the corresponding interrupts are disabled.

The IEN0 register contains the general enable/disable flags of the external interrupts 0 and 1, the timer interrupts, and the USART interrupt.

Special Function Register IEN0 (Address A8_H)

Reset Value : 00_H

	MSB							LSB	
Bit No.	AF _H	AE _H	AD _H	AC _H	AB _H	AA _H	A9 _H	A8 _H	
A8 _H	EAL	WDT	ET2	ES	ET1	EX1	ET0	EX0	IEN0

The shaded bit is not used for interrupt control.

Bit	Function
EAL	Enable/disable all interrupts. If EAL=0, no interrupt will be acknowledged. If EAL=1, each interrupt source is individually enabled or disabled by setting or clearing its enable bit.
ET2	Timer 2 overflow / external reload interrupt enable. If ET2 = 0, the timer 2 interrupt is disabled. If ET2 = 1, the timer 2 interrupt is enabled.
ES	Serial channel (USART) interrupt enable If ES = 0, the serial channel interrupt 0 is disabled. If ES = 1, the serial channel interrupt 0 is enabled.
ET1	Timer 1 overflow interrupt enable. If ET1 = 0, the timer 1 interrupt is disabled. If ET1 = 1, the timer 1 interrupt is enabled.
EX1	External interrupt 1 enable. If EX1 = 0, the external interrupt 1 is disabled. If EX1 = 1, the external interrupt 1 is enabled.
ET0	Timer 0 overflow interrupt enable. If ET0 = 0, the timer 0 interrupt is disabled. If ET0 = 1, the timer 0 interrupt is enabled.
EX0	External interrupt 0 enable. If EX0 = 0, the external interrupt 0 is disabled. If EX0 = 1, the external interrupt 0 is disabled.

The IEN1 register contains enable/disable flags of the timer 2 external timer reload interrupt, the external interrupts 2 to 6, and the A/D converter interrupt.

Special Function Register IEN1 (Address B8_H)

Reset Value : 00_H

	MSB							LSB		
Bit No.	BF _H	BE _H	BD _H	BC _H	BB _H	BA _H	B9 _H	B8 _H		
B8 _H	EXEN2	SWDT	EX6	EX5	EX4	EX3	EX2	EADC	IEN1	

The shaded bit is not used for interrupt control.

Bit	Function
EXEN2	Timer 2 external reload interrupt enable If EXEN2 = 0, the timer 2 external reload interrupt is disabled. If EXEN2 = 1, the timer 2 external reload interrupt is enabled. The external reload function is not affected by EXEN2.
EX6	External interrupt 6 / capture/compare interrupt 3 enable If EX6 = 0, external interrupt 6 is disabled. If EX6 = 1, external interrupt 6 is enabled.
EX5	External interrupt 5 / capture/compare interrupt 2 enable If EX5 = 0, external interrupt 5 is disabled. If EX5 = 1, external interrupt 5 is enabled.
EX4	External interrupt 4 / capture/compare interrupt 1 enable If EX4 = 0, external interrupt 4 is disabled. If EX4 = 1, external interrupt 4 is enabled.
EX3	External interrupt 3 / capture/compare interrupt 0 enable If EX3 = 0, external interrupt 3 is disabled. If EX3 = 1, external interrupt 3 is enabled.
EX2	External interrupt 2 / capture/compare interrupt 4 enable If EX2 = 0, external interrupt 2 is disabled. If EX2 = 1, external interrupt 2 is enabled.
EADC	A/D converter interrupt enable If EADC = 0, the A/D converter interrupt is disabled. If EADC = 1, the A/D converter interrupt is enabled.

The IEN2 and the SCIEN registers contain enable/disable flags of the SSC interrupt, the CAN controller interrupt, and the external interrupts 7 and 8.

Special Function Register IEN2 (Address 9A_H)

Reset Value : XX00X00_B

Special Function Register SCIEN (Address AC_H)

Reset Value : XXXXXX00_B

Bit No.	MSB						LSB		
	7	6	5	4	3	2	1	0	
9A _H	–	–	EX8	EX7	–	ESSC	ECAN	–	IEN2
AC _H	–	–	–	–	–	–	WCEN	TCEN	SCIEN

Bit	Function
–	Reserved bits for future use.
EX7	External interrupt 7 enable If EX7 = 0, external interrupt 7 is disabled. If EX7 = 1, external interrupt 7 is enabled.
EX8	External interrupt 8 enable If EX8 = 0, external interrupt 8 is disabled. If EX8 = 1, external interrupt 8 is enabled.
ESSC	SSC general interrupt enable If ESSC = 0, the SSC general interrupt is disabled. If ESSC = 1, the SSC general interrupt is enabled.
ECAN	CAN controller interrupt enable If ECAN = 0, the CAN controller interrupt is disabled. If ECAN = 1, the CAN controller interrupt is enabled.
WCEN	SSC write collision interrupt enable If WCEN = 0, the SSC write collision interrupt is disabled. If WCEN = 1, the SSC write collision interrupt is enabled. Additionally, bit ESSC must be set if the SSC write collision interrupt should be generated.
TCEN	SSC transfer completed interrupt enable If TCEN = 0, the SSC transfer completed interrupt is disabled. If TCEN = 1, the SSC transfer completed interrupt is enabled. Additionally, bit ESSC must be set if the SSC transfer completed interrupt should be generated.

7.1.2 Interrupt Request / Control Flags

Special Function Register TCON (Address 88_H)

Reset Value : 00_H

Bit No.	MSB				LSB				TCON
	8F _H	8E _H	8D _H	8C _H	8B _H	8A _H	89 _H	88 _H	
88 _H	TF1	TR1	TF0	TR0	IE1	IT1	IE0	IT0	

The shaded bits are not used for interrupt control.

Bit	Function
TF1	Timer 1 overflow flag Set by hardware on timer/counter 1 overflow. Cleared by hardware when processor vectors to interrupt routine.
TF0	Timer 0 overflow flag Set by hardware on timer/counter 0 overflow. Cleared by hardware when processor vectors to interrupt routine.
IE1	External interrupt 1 request flag Set by hardware when external interrupt 1 edge is detected. Cleared by hardware when processor vectors to interrupt routine.
IT1	External interrupt 1 level/edge trigger control flag If IT1 = 0, low level triggered external interrupt 1 is selected. If IT1 = 1, falling edge triggered external interrupt 1 is selected.
IE0	External interrupt 0 request flag Set by hardware when external interrupt 0 edge is detected. Cleared by hardware when processor vectors to interrupt routine.
IT0	External interrupt 0 level/edge trigger control flag If IT0 = 0, low level triggered external interrupt 0 is selected. If IT0 = 1, falling edge triggered external interrupt 0 is selected.

The **external interrupts 0 and 1** ($\overline{\text{INT0}}$ and $\overline{\text{INT1}}$) can each be either level-activated or negative transition-activated, depending on bits IT0 and IT1 in register TCON. The flags that actually generate these interrupts are bits IE0 and IE1 in TCON. When an external interrupt is generated, the flag that generated this interrupt is cleared by the hardware when the service routine is vectored too, but only if the interrupt was transition-activated. If the interrupt was level-activated, then the requesting external source directly controls the request flag, rather than the on-chip hardware.

The **timer 0 and timer 1 interrupts** are generated by TF0 and TF1 in register TCON, which are set by a rollover in their respective timer/counter registers. When a timer interrupt is generated, the flag that generated it is cleared by the on-chip hardware when the service routine is vectored too.

Special Function Register T2CON (Address C8_H)

Reset Value : 00_H

Bit No.	MSB							LSB	T2CON
	CF _H	CE _H	CD _H	CC _H	CB _H	CA _H	C9 _H	C8 _H	
C8 _H	T2PS	I3FR	I2FR	T2R1	T2R0	T2CM	T2I1	T2I0	

The shaded bits are not used for interrupt control.

Bit	Function
I3FR	External interrupt 3 rising/falling edge control flag If I3FR = 0, the external interrupt 3 is activated by a falling edge at P1.0/ $\overline{\text{INT3}}$ /CC0. If I3FR = 1, the external interrupt 3 is activated by a rising edge at P1.0/ $\overline{\text{INT3}}$ /CC0.
I2FR	External interrupt 2 rising/falling edge control flag If I2FR = 0, the external interrupt 2 is activated by a falling edge at P1.4/ $\overline{\text{INT2}}$. If I2FR = 1, the external interrupt 2 is activated by a rising edge at P1.4/ $\overline{\text{INT2}}$.

The external interrupt 2 ($\overline{\text{INT2}}$) can be either positive or negative transition-activated depending on bit I2FR in register T2CON. The flag that actually generates this interrupt is bit IEX2 in register IRCON. If an interrupt 2 is generated, flag IEX2 is cleared by hardware when the service routine is vectored too.

Like the external interrupt 2, the **external interrupt 3 (INT3)** can be either positive or negative transition-activated, depending on bit I3FR in register T2CON. The flag that actually generates this interrupt is bit IEX3 in register IRCON. In addition, this flag will be set if a compare event occurs at pin P1.0/INT3/CC0, regardless of the compare mode established and the transition at the respective pin. The flag IEX3 is cleared by hardware when the service routine is vectored too.

Special Function Register IRCON (Address C0_H)

Reset Value : 00_H

Bit No.	MSB							LSB	IRCON
	C7 _H	C6 _H	C5 _H	C4 _H	C3 _H	C2 _H	C1 _H	C0 _H	
C0 _H	EXF2	TF2	IEX6	IEX5	IEX4	IEX3	IEX2	IADC	

Bit	Function
EXF2	Timer 2 external reload flag EXF2 is set when a reload is caused by a falling edge on pin T2EX while EXEN2 = 1. If ET2 in IEN0 is set (timer 2 interrupt enabled), EXF2 = 1 will cause an interrupt. EXF2 can be used as an additional external interrupt when the reload function is not used. EXF2 must be cleared by software.
TF2	Timer 2 overflow flag Set by a timer 2 overflow and must be cleared by software. If the timer 2 interrupt is enabled, TF2 = 1 will cause an interrupt.
IEX6	External interrupt 6 edge flag Set by hardware when external interrupt edge was detected or when a compare event occurred at pin P1.3/INT6/CC3. Cleared by hardware when processor vectors to interrupt routine.
IEX5	External interrupt 5 edge flag Set by hardware when external interrupt edge was detected or when a compare event occurred at pin P1.2/INT5/CC2. Cleared by hardware when processor vectors to interrupt routine.
IEX4	External interrupt 4 edge flag Set by hardware when external interrupt edge was detected or when a compare event occurred at pin P1.1/INT4/CC1. Cleared by hardware when processor vectors to interrupt routine.
IEX3	External interrupt 3 edge flag Set by hardware when external interrupt edge was detected or when a compare event occurred at pin P1.0/INT3/CC0. Cleared by hardware when processor vectors to interrupt routine.
IEX2	External interrupt 2 edge flag Set by hardware when external interrupt edge was detected or when a compare event occurred at pin P1.4/INT2/CC4. Cleared by hardware when processor vectors to interrupt routine.
IADC	A/D converter interrupt request flag Set by hardware at the end of an A/D conversion. Must be cleared by software.

The **timer 2 interrupt** is generated by the logical OR of bit TF2 in register T2CON and bit EXF2 in register IRCON. Neither of these flags is cleared by hardware when the service routine is vectored to. In fact, the service routine may have to determine whether it was TF2 or EXF2 that generated the interrupt, and the bit will have to be cleared by software.

The **A/D converter interrupt** is generated by IADC bit in register IRCON. If an interrupt is generated, in any case the converted result in ADDAT is valid on the first instruction of the interrupt service routine. If continuous conversion is established, IADC is set once during each conversion. If an A/D converter interrupt is generated, flag IADC will have to be cleared by software.

The **external interrupts 4 to 6** (INT4, INT5, INT6) are positive transition-activated. The flags that actually generate these interrupts are bits IEX4, IEX5, and IEX6 in register IRCON. In addition, these flags will be set if a compare event occurs at the corresponding output pin P1.1/INT4/CC1, P1.2/INT5/CC2, and P1.3/INT6/CC3, regardless of the compare mode established and the transition at the respective pin. When an interrupt is generated, the flag that generated it is cleared by the on-chip hardware when the service routine is vectored to.

All of these interrupt request bits that generate interrupts can be set or cleared by software, with the same result as if they had been set or cleared by hardware. That is, interrupts can be generated or pending interrupts can be cancelled by software. The only exceptions are the request flags IE0 and IE1. If the external interrupts 0 and 1 are programmed to be level-activated, IE0 and IE1 are controlled by the external source via pin $\overline{\text{INT0}}$ and $\overline{\text{INT1}}$, respectively. Thus, writing a one to these bits will not set the request flag IE0 and/or IE1. In this mode, interrupts 0 and 1 can only be generated by software and by writing a 0 to the corresponding pins $\overline{\text{INT0}}$ (P3.2) and $\overline{\text{INT1}}$ (P3.3), provided that this will not affect any peripheral circuit connected to the pins.

Special Function Register SCON (Address. 98_H)

Reset Value : 00_H

	MSB						LSB		
Bit No.	9F _H	9E _H	9D _H	9C _H	9B _H	9A _H	99 _H	98 _H	
98 _H	SM0	SM1	SM2	REN	TB8	RB8	TI	RI	SCON

The shaded bits are not used for interrupt control.

Bit	Function
TI	Serial interface transmitter interrupt flag Set by hardware at the end of a serial data transmission. Must be cleared by software.
RI	Serial interface receiver interrupt flag Set by hardware if a serial data byte has been received. Must be cleared by software.

The **serial port interrupt** is generated by a logical OR of flag RI and TI in SFR SCON. Neither of these flags is cleared by hardware when the service routine is vectored too. In fact, the service routine will normally have to determine whether it was the receive interrupt flag or the transmission interrupt flag that generated the interrupt, and the bit will have to be cleared by software.

Special Function Register SCF (Address AB_H)

Reset Value : XXXXXX00_B

Bit No.	MSB						LSB		SCF
	7	6	5	4	3	2	1	0	
AB _H	–	–	–	–	–	–	WCOL	TC	

Bit	Function
–	Reserved bits for future use.
WCOL	SSC write collision interrupt flag WCOL set indicates that an attempt was made to write to the shift register STB while a data transfer was in progress and not fully completed. Bit WCEN in the SCIEN register must be set, if an interrupt request will be generated when WCOL is set.
TC	SSC transfer complete interrupt flag If TC is set it indicates that the last transfer has been completed. Bit TCEN in the SCIEN register must be set, if an interrupt request will be generated when TC is set.

The **SSC interrupt** is generated by a logical OR of flag WCOL and TC in SFR SCF. Both bits can be cleared by software when a “0” is written to the bit location. WCOL is reset by hardware when after a preceding read operation of the SCF register the SSC transmit data register STB is written with data. TC is reset by hardware when after a preceding read operation of the SCF register the receive data register SRB is read the next time. The interrupt service routine will normally have to determine whether it was the WCOL or the TC flag that generated the interrupt, and the bit will have to be cleared by software.

7.1.3 Interrupt Priority Registers

The lower six bits of these two registers are used to define the interrupt priority level of the interrupt groups as they are defined in **table 7-1** in the next section.

Special Function Register IP0 (Address A9_H)

Reset Value : 00_H

Special Function Register IP1 (Address B9_H)

Reset Value : 0X000000_B

	MSB							LSB	
Bit No.	7	6	5	4	3	2	1	0	
A9 _H	OWDS	WDTS	IP0.5	IP0.4	IP0.3	IP0.2	IP0.1	IP0.0	IP0
Bit No.	7	6	5	4	3	2	1	0	
B9 _H	PDIR	-	IP1.5	IP1.4	IP1.3	IP1.2	IP1.1	IP1.0	IP1

The shaded bits are not used for interrupt control.

Bit	Function															
IP1.x IP0.x	Interrupt group priority level bits (x=1-6, see table 7-1)															
	<table border="1"> <thead> <tr> <th>IP1.x</th> <th>IP0.x</th> <th>Function</th> </tr> </thead> <tbody> <tr> <td>0</td> <td>0</td> <td>Interrupt group x is set to priority level 0 (lowest)</td> </tr> <tr> <td>0</td> <td>1</td> <td>Interrupt group x is set to priority level 1</td> </tr> <tr> <td>1</td> <td>0</td> <td>Interrupt group x is set to priority level 2</td> </tr> <tr> <td>1</td> <td>1</td> <td>Interrupt group x is set to priority level 3 (highest)</td> </tr> </tbody> </table>	IP1.x	IP0.x	Function	0	0	Interrupt group x is set to priority level 0 (lowest)	0	1	Interrupt group x is set to priority level 1	1	0	Interrupt group x is set to priority level 2	1	1	Interrupt group x is set to priority level 3 (highest)
IP1.x	IP0.x	Function														
0	0	Interrupt group x is set to priority level 0 (lowest)														
0	1	Interrupt group x is set to priority level 1														
1	0	Interrupt group x is set to priority level 2														
1	1	Interrupt group x is set to priority level 3 (highest)														

7.2 Interrupt Priority Level Structure

The following table shows the interrupt grouping of the C515C interrupt sources.

Table 7-1
Interrupt Source Structure

Interrupt Group	Associated Interrupts			Priority
	High Priority	—————▶	Low Priority	
1	External interrupt 0	–	A/D converter interrupt	↓ ↓ ↓ ↓ ↓ ↓
2	Timer 0 overflow	CAN controller interrupt	External interrupt 2	
3	External interrupt 1	SSC interrupt	External interrupt 3	
4	Timer 1 overflow	–	External interrupt 4	
5	Serial channel interrupt	External interrupt 7	External interrupt 5	
6	Timer 2 interrupt	External interrupt 8	External interrupt 6	

Each group of interrupt sources can be programmed individually to one of four priority levels by setting or clearing one bit in the special function register IP0 and one in IP1. A low-priority interrupt can be interrupted by a high-priority interrupt, but not by another interrupt of the same or a lower priority. An interrupt of the highest priority level cannot be interrupted by another interrupt source.

If two or more requests of different priority levels are received simultaneously, the request of the highest priority is serviced first. If requests of the same priority level are received simultaneously, an internal polling sequence determines which request is to be serviced first. Thus, within each priority level there is a second priority structure determined by the polling sequence, as follows.

- Within one interrupt group the „left“ interrupt is serviced first
- The interrupt groups are serviced from top to bottom of the table.

7.3 How Interrupts are Handled

The interrupt flags are sampled at S5P2 in each machine cycle. The sampled flags are polled during the following machine cycle. If one of the flags was in a set condition at S5P2 of the preceding cycle, the polling cycle will find it and the interrupt system will generate a LCALL to the appropriate service routine, provided this hardware-generated LCALL is not blocked by any of the following conditions:

1. An interrupt of equal or higher priority is already in progress.
2. The current (polling) cycle is not in the final cycle of the instruction in progress.
3. The instruction in progress is RETI or any write access to registers IEN0/IEN1/IEN2 or IP0/IP1.

Any of these three conditions will block the generation of the LCALL to the interrupt service routine. Condition 2 ensures that the instruction in progress is completed before vectoring to any service routine. Condition 3 ensures that if the instruction in progress is RETI or any write access to registers IEN0/IEN1/IEN2 or IP0/IP1, then at least one more instruction will be executed before any interrupt is vectored too; this delay guarantees that changes of the interrupt status can be observed by the CPU.

The polling cycle is repeated with each machine cycle, and the values polled are the values that were present at S5P2 of the previous machine cycle. Note that if any interrupt flag is active but not being responded to for one of the conditions already mentioned, or if the flag is no longer active when the blocking condition is removed, the denied interrupt will not be serviced. In other words, the fact that the interrupt flag was once active but not serviced is not remembered. Every polling cycle interrogates only the pending interrupt requests.

The polling cycle/LCALL sequence is illustrated in **figure 7-4**.

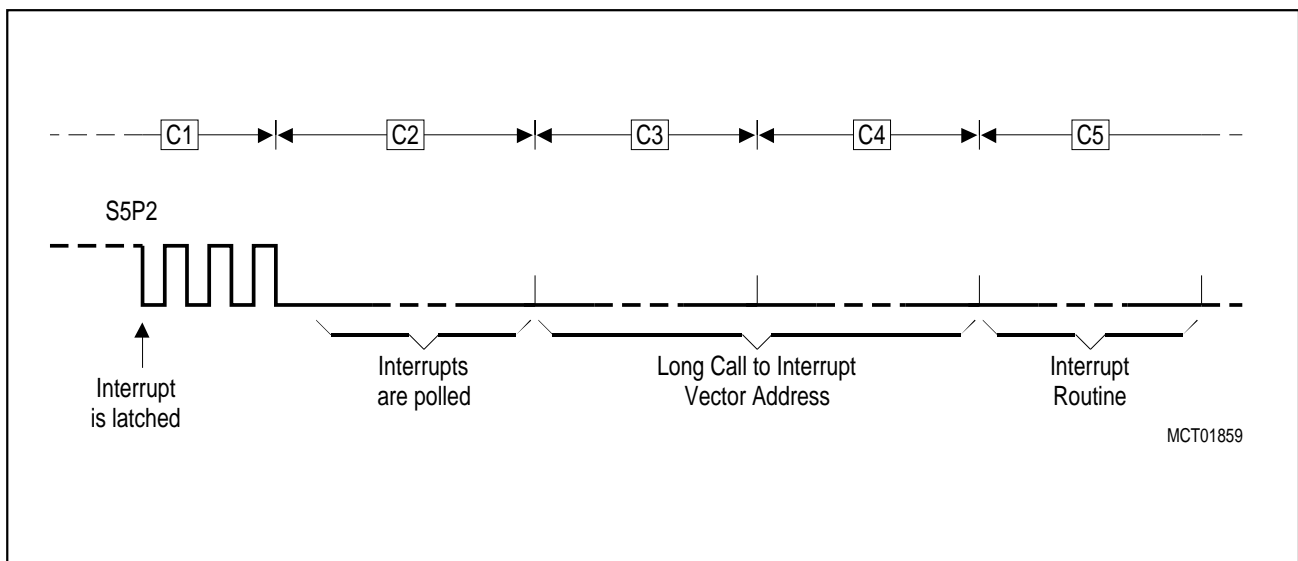


Figure 7-4
Interrupt Response Timing Diagram

Note that if an interrupt of a higher priority level goes active prior to S5P2 in the machine cycle labeled C3 in **figure 7-4** then, in accordance with the above rules, it will be vectored to during C5 and C6 without any instruction for the lower priority routine to be executed.

Thus, the processor acknowledges an interrupt request by executing a hardware-generated LCALL to the appropriate servicing routine. In some cases it also clears the flag that generated the interrupt, while in other cases it does not; then this has to be done by the user's software. The hardware clears the external interrupt flags IE0 and IE1 only if they were transition-activated. The hardware-generated LCALL pushes the contents of the program counter onto the stack (but it does not save the PSW) and reloads the program counter with an address that depends on the source of the interrupt being vectored too, as shown in the following **table 7-2**.

Table 7-2
Interrupt Source and Vectors

Interrupt Source	Interrupt Vector Address	Interrupt Request Flags
External Interrupt 0	0003 _H	IE0
Timer 0 Overflow	000B _H	TF0
External Interrupt 1	0013 _H	IE1
Timer 1 Overflow	001B _H	TF1
Serial Channel	0023 _H	RI / TI
Timer 2 Overflow / Ext. Reload	002B _H	TF2 / EXF2
A/D Converter	0043 _H	IADC
External Interrupt 2	004B _H	IEX2
External Interrupt 3	0053 _H	IEX3
External Interrupt 4	005B _H	IEX4
External Interrupt 5	0063 _H	IEX5
External Interrupt 6	006B _H	IEX6
Wake-up from power-down mode	007B _H	–
CAN controller	008B _H	–
External Interrupt 7	00A3 _H	–
External Interrupt 8	00AB _H	–
SSC interface	0093 _H	TC / WCOL

Execution proceeds from that location until the RETI instruction is encountered. The RETI instruction informs the processor that the interrupt routine is no longer in progress, then pops the two top bytes from the stack and reloads the program counter. Execution of the interrupted program continues from the point where it was stopped. Note that the RETI instruction is very important because it informs the processor that the program left the current interrupt priority level. A simple RET instruction would also have returned execution to the interrupted program, but it would have left the interrupt control system thinking an interrupt was still in progress. In this case no interrupt of the same or lower priority level would be acknowledged.

7.4 External Interrupts

The external interrupts 0 and 1 can be programmed to be level-activated or negative-transition activated by setting or clearing bit IT0, respectively in register TCON. If $IT_x = 0$ ($x = 0$ or 1), external interrupt x is triggered by a detected low level at the \overline{INT}_x pin. If $IT_x = 1$, external interrupt x is negative edge-triggered. In this mode, if successive samples of the \overline{INT}_x pin show a high in one cycle and a low in the next cycle, interrupt request flag IEx in TCON is set. Flag bit IEx=1 then requests the interrupt.

If the external interrupt 0 or 1 is level-activated, the external source has to hold the request active until the requested interrupt is actually generated. Then it has to deactivate the request before the interrupt service routine is completed, or else another interrupt will be generated.

The external interrupts 2 and 3 can be programmed to be negative or positive transition-activated by setting or clearing bit I2FR or I3FR in register T2CON. If $I_xFR = 0$ ($x = 2$ or 3), the external interrupt x is negative transition-activated. If $I_xFR = 1$, the external interrupt is triggered by a positive transition.

The external interrupts 4, 5, and 6 are activated only by a positive transition. The external timer 2 reload trigger interrupt request flag EXF2 will be activated by a negative transition at pin PI.5/T2EX but only if bit EXEN2 is set.

Since the external interrupt pins (\overline{INT}_2 to \overline{INT}_6) are sampled once in each machine cycle, an input high or low should be held for at least 6 oscillator periods to ensure sampling. If the external interrupt is transition-activated, the external source has to hold the request pin low (high for \overline{INT}_2 and \overline{INT}_3 , if it is programmed to be negative transition-active) for at least one cycle, and then hold it high (low) for at least one cycle to ensure that the transition is recognized so that the corresponding interrupt request flag will be set (see **figure 7-5**). The external interrupt request flags will automatically be cleared by the CPU when the service routine is called.

The external interrupts 7 and 8 are low level sensitive interrupt inputs. Its external interrupt source has to be hold active (low) until the requested interrupt is actually generated and serviced. Then it has to be deactivated before the interrupt service routine is left by the execution of a RETI instruction. Otherwise, another interrupt will be generated. The external interrupt pins are sampled once in each machine cycle. Therefore, an active low level at \overline{INT}_7 or \overline{INT}_8 should be held low for at least 6 oscillator periods to ensure sampling. There is no interrupt request flag available for the \overline{INT}_7 and \overline{INT}_8 external interrupts.

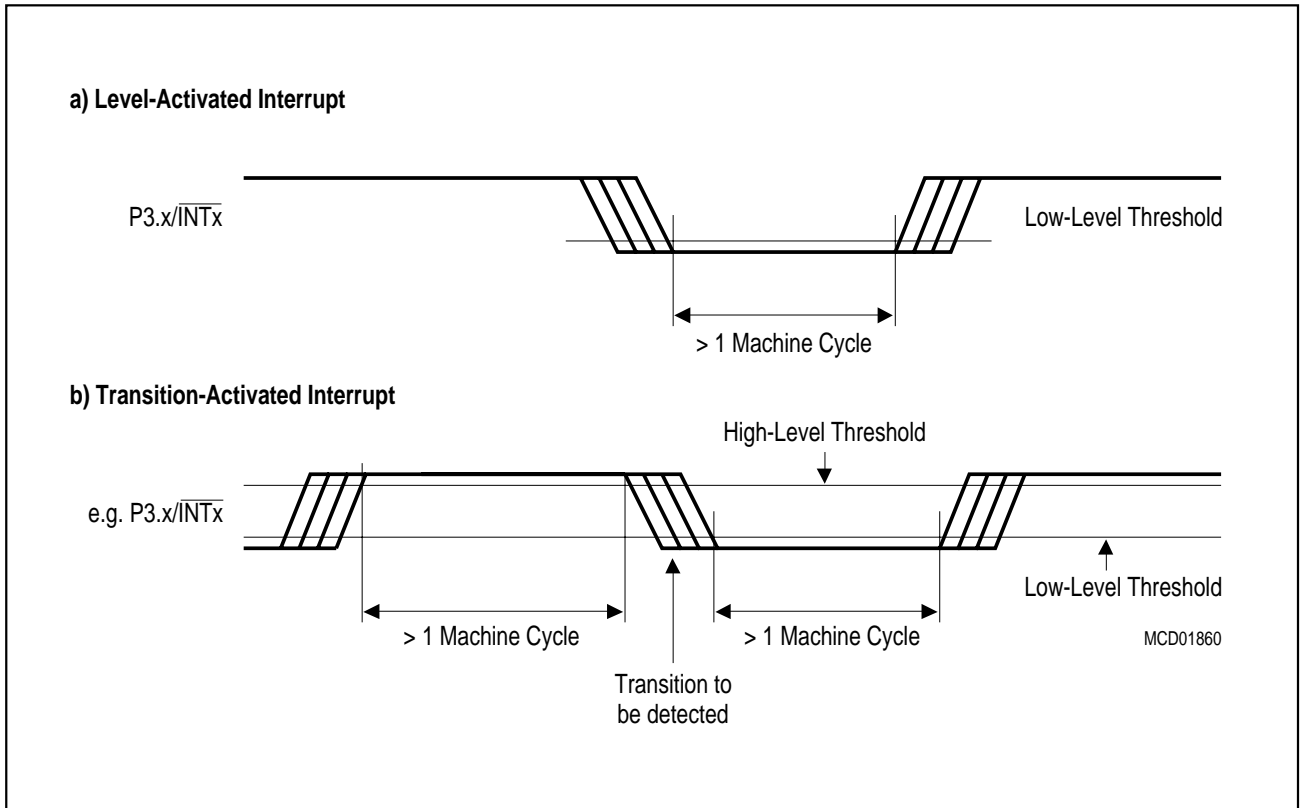


Figure 7-5
External Interrupt Detection

7.5 Interrupt Response Time

If an external interrupt is recognized, its corresponding request flag is set at S5P2 in every machine cycle. The value is not polled by the circuitry until the next machine cycle. If the request is active and conditions are right for it to be acknowledged, a hardware subroutine call to the requested service routine will be next instruction to be executed. The call itself takes two cycles. Thus a minimum of three complete machine cycles will elapse between activation and external interrupt request and the beginning of execution of the first instruction of the service routine.

A longer response time would be obtained if the request was blocked by one of the three previously listed conditions. If an interrupt of equal or higher priority is already in progress, the additional wait time obviously depends on the nature of the other interrupt's service routine. If the instruction in progress is not in its final cycle, the additional wait time cannot be more than 3 cycles since the longest instructions (MUL and DIV) are only 4 cycles long; and, if the instruction in progress is RETI or a write access to registers IEN0, IEN1, IEN2 or IP0, IP1 the additional wait time cannot be more than 5 cycles (a maximum of one more cycle to complete the instruction in progress, plus 4 cycles to complete the next instruction, if the instruction is MUL or DIV).

Thus a single interrupt system, the response time is always more than 3 cycles and less than 9 cycles.

8 Fail Safe Mechanisms

The C515C offers enhanced fail safe mechanisms, which allow an automatic recovery from software upset or hardware failure :

- a programmable watchdog timer (WDT), with variable time-out period from 512 μ s up to approx. 1.1 s at 6 MHz.
- an oscillator watchdog (OWD) which monitors the on-chip oscillator and forces the microcontroller into reset state in case the on-chip oscillator fails; it also provides the clock for a fast internal reset after power-on.

8.1 Programmable Watchdog Timer

To protect the system against software upset, the user’s program has to clear this watchdog within a previously programmed time period. If the software fails to do this periodical refresh of the watchdog timer, an internal hardware reset will be initiated. The software can be designed so that the watchdog times out if the program does not work properly. It also times out if a software error is based on hardware-related problems.

The watchdog timer in the C515C is a 15-bit timer, which is incremented by a count rate of $f_{osc}/12$ up to $f_{osc}/192$. The system clock of the C515C is divided by two prescalers, a divide-by-two and a divide-by-16 prescaler. For programming of the watchdog timer overflow rate, the upper 7 bit of the watchdog timer can be written. **Figure 8-1** shows the block diagram of the watchdog timer unit.

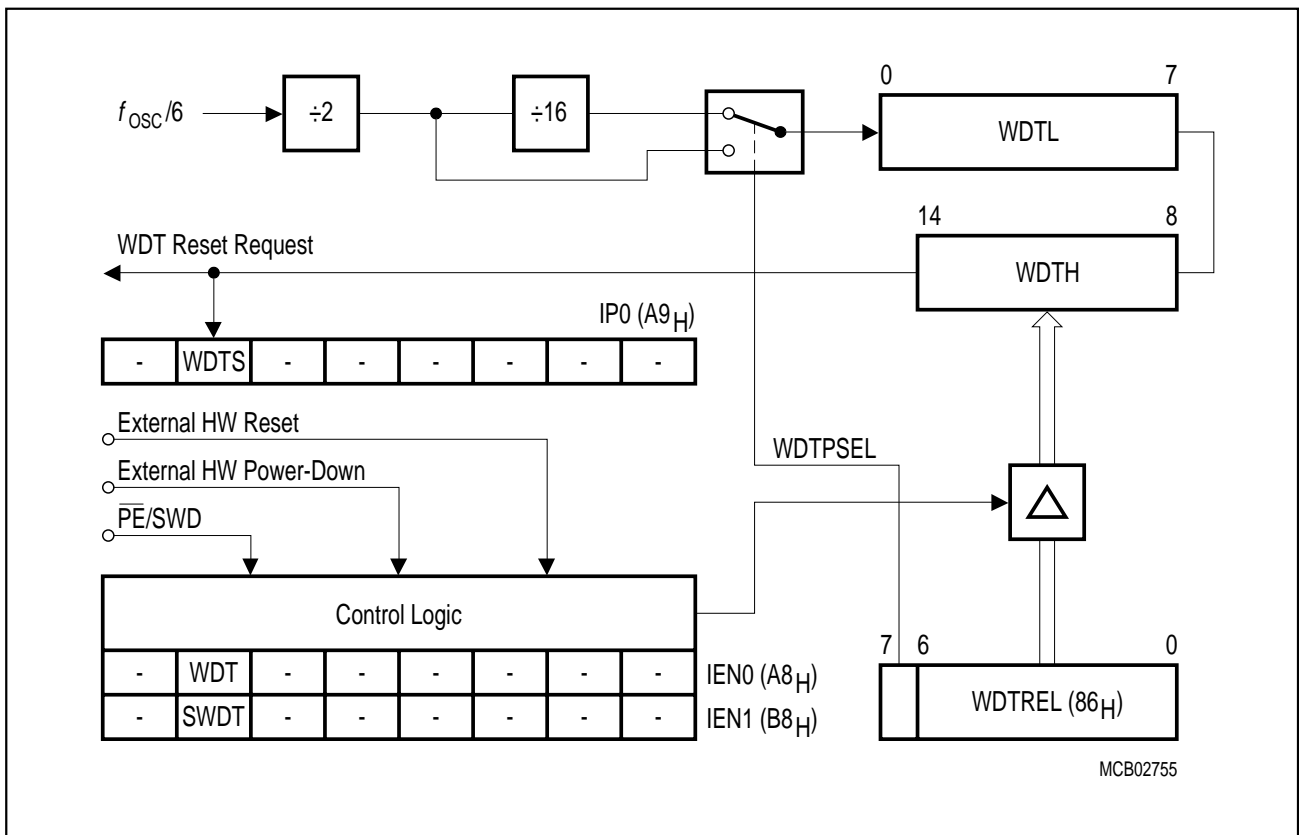


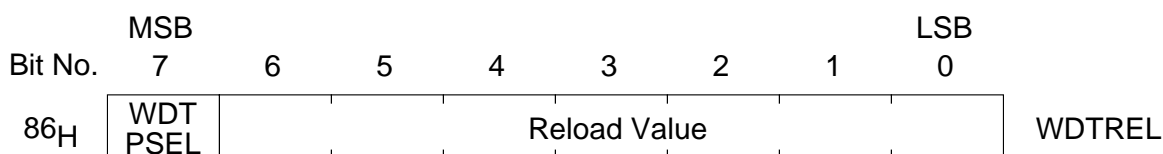
Figure 8-1
Block Diagram of the Programmable Watchdog Timer

8.1.1 Input Clock Selection

The input clock rate of the watchdog timer is derived from the system clock of the C515C. There is a prescaler available, which is software selectable and defines the input clock rate. This prescaler is controlled by bit WDTSEL in the SFR WDTREL. **Table 8-1** shows resulting timeout periods at $f_{osc} = 6$ and 10 MHz.

Special Function Register WDTREL (Address 86H)

Reset Value : 00H



Bit	Function
WDTSEL	Watchdog timer prescaler select bit. When set, the watchdog timer is clocked through an additional divide-by-16 prescaler .
WDTREL.6 - 0	Seven bit reload value for the high-byte of the watchdog timer. This value is loaded to WDTL when a refresh is triggered by a consecutive setting of bits WDT and SWDT.

Table 8-1
Watchdog Timer Time-Out Periods (WDTSEL = 0)

WDTREL	Time-Out Period		Comments
	$f_{osc} = 6 \text{ MHz}$	$f_{osc} = 10 \text{ MHz}$	
00H	65.535 ms	39.322 ms	This is the default value
80H	1.1 s	0.63 s	Maximum time period
7FH	512 μ s	307 μ s	Minimum time period

8.1.2 Watchdog Timer Control / Status Flags

The watchdog timer is controlled by two control flags (located in SFR IEN0 and IEN1) and one status flags (located in SFR IP0).

Special Function Register IEN0 (Address A8_H)

Reset Value : 00_H

Special Function Register IEN1 (Address B8_H)

Reset Value : 00_H

Special Function Register IP0 (Address A9_H)

Reset Value : 00_H

	MSB				LSB				
	AF _H	AE _H	AD _H	AC _H	AB _H	AA _H	A9 _H	A8 _H	
A8 _H	EAL	WDT	ET2	ES	ET1	EX1	ET0	EX0	IEN0
	BF _H	BE _H	BD _H	BC _H	BB _H	BA _H	B9 _H	B8 _H	
B8 _H	EXEN2	SWDT	EX6	EX5	EX4	EX3	EX2	EADC	IEN1
Bit No.	7	6	5	4	3	2	1	0	
A9 _H	OWDS	WDTS	IP0.5	IP0.4	IP0.3	IP0.2	IP0.1	IP0.0	IP0

The shaded bits are not used for fail save control.

Bit	Function
WDT	Watchdog timer refresh flag. Set to initiate a refresh of the watchdog timer. Must be set directly before SWDT is set to prevent an unintentional refresh of the watchdog timer.
SWDT	Watchdog timer start flag. Set to activate the Watchdog Timer. When directly set after setting WDT, a watchdog timer refresh is performed.
WDTS	Watchdog timer status flag. Set by hardware when a watchdog Timer reset occurred. Can be cleared and set by software.

8.1.3 Starting the Watchdog Timer

Immediately after start (see next section for the start procedure), the watchdog timer is initialized to the reload value programmed to WDTREL.0 - WDTREL.6. After an external HW or $\overline{\text{HWPD}}$ reset, an oscillator power on reset, or a watchdog timer reset, register WDTREL is cleared to 00_H. WDTREL can be loaded by software at any time.

There are two ways to start the watchdog timer depending on the level applied to pin $\overline{\text{PE/SWD}}$. This pin serves two functions, because it is also used for blocking the power saving modes. (see also chapter 9).

8.1.3.1 The First Possibility of Starting the Watchdog Timer

The automatic start of the watchdog timer directly while an external HW reset is a hardware start initialized by strapping pin $\overline{\text{PE/SWD}}$ to V_{CC} . In this case the power saving modes (power down mode, idle mode and slow down mode) are also disabled and cannot be started by software. If pin $\overline{\text{PE/SWD}}$ is left unconnected, a weak pull-up transistor ensures the automatic start of the watchdog timer.

The self-start of the watchdog timer by a pin option has been implemented to provide high system security in electrically very noisy environments.

Note : The automatic start of the watchdog timer is only performed if $\overline{\text{PE/SWD}}$ (power-save enable/start watchdog timer) is held at high level while $\overline{\text{RESET}}$ or $\overline{\text{HWPD}}$ is active. A positive transition at these pins during normal program execution will not start the watchdog timer. Furthermore, when using the hardware start, the watchdog timer starts running with its default time-out period. The value in the reload register WDTREL, however, can be overwritten at any time to set any time-out period desired.

8.1.3.2 The Second Possibility of Starting the Watchdog Timer

The watchdog timer can also be started by software. Setting of bit SWDT in SFR IEN1 starts the watchdog timer. Using the software start, the timeout period can be programmed before the watchdog timer starts running.

Note that once the watchdog timer has been started it can only be stopped if one of the following conditions are met :

- active external hardware reset through pin $\overline{\text{RESET}}$ with a low level at pin $\overline{\text{PE/SWD}}$
- active hardware power down signal $\overline{\text{HWPD}}$, independently of the level at $\overline{\text{PE/SWD}}$
- entering idle mode or power down mode by software

See chapter 9 for entering the power saving modes by software.

8.1.4 Refreshing the Watchdog Timer

At the same time the watchdog timer is started, the 7-bit register WDT is preset by the contents of WDTREL.0 to WDTREL.6. Once started the watchdog cannot be stopped by software but can only be refreshed to the reload value by first setting bit WDT (IEN0.6) and by the next instruction setting SWDT (IEN1.6). Bit WDT will automatically be cleared during the second machine cycle after having been set. For this reason, setting SWDT bit has to be a one cycle instruction (e.g. SETB SWDT). This double-instruction refresh of the watchdog timer is implemented to minimize the chance of an unintentional reset of the watchdog.

The reload register WDTREL can be written to at any time, as already mentioned. Therefore, a periodical refresh of WDTREL can be added to the above mentioned starting procedure of the watchdog timer. Thus a wrong reload value caused by a possible distortion during the write operation to the WDTREL can be corrected by software.

8.1.5 Watchdog Reset and Watchdog Status Flag

If the software fails to clear the watchdog in time, an internally generated watchdog reset is entered at the counter state $7FFC_H$. The duration of the reset signal then depends on the prescaler selection (either 8 cycles or 128 cycles). This internal reset differs from an external one only in so far as the watchdog timer is not disabled and bit WDTS (watchdog timer status, bit 6 in SFR IP0) is set. **Figure 8-2** shows a block diagram of all reset requests in the C515C and the function of the watchdog status flags. The WDTS flag is a flip-flop, which is set by a watchdog timer reset and cleared by an external HW reset. Bit WDTS allows the software to examine from which source the reset was activated. The watchdog timer status flag can also be cleared by software.

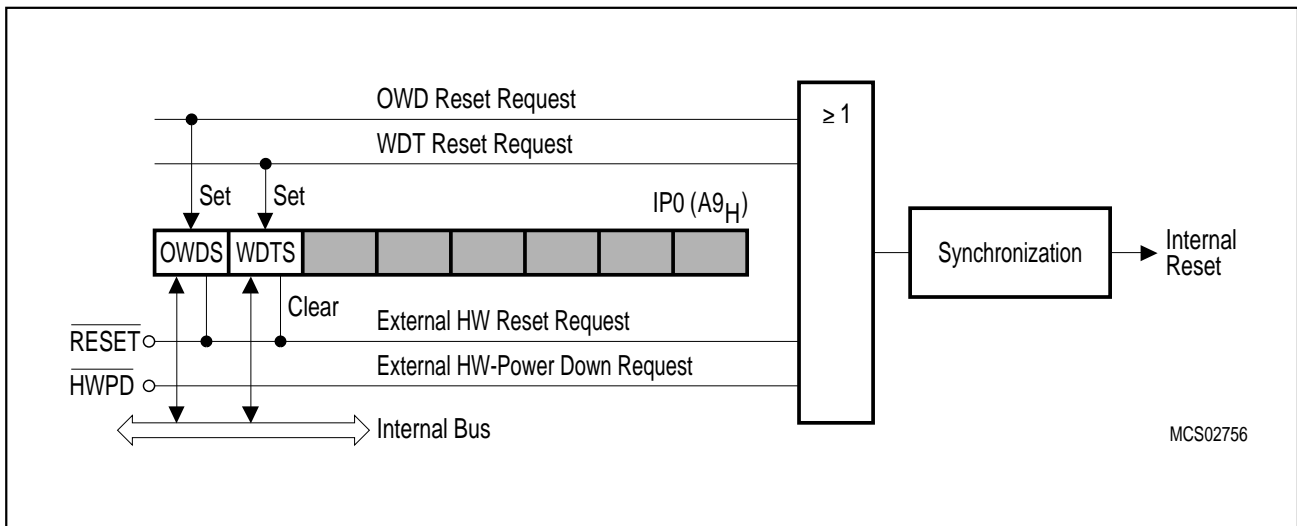


Figure 8-2
Watchdog Timer Status Flags and Reset Requests

8.2 Oscillator Watchdog Unit

The oscillator watchdog unit serves for four functions:

- **Monitoring of the on-chip oscillator's function**
The watchdog supervises the on-chip oscillator's frequency; if it is lower than the frequency of the auxiliary RC oscillator in the watchdog unit, the internal clock is supplied by the RC oscillator and the device is brought into reset; if the failure condition disappears (i.e. the on-chip oscillator has a higher frequency than the RC oscillator), the part executes a final reset phase of typ. 1 ms in order to allow the oscillator to stabilize; then the oscillator watchdog reset is released and the part starts program execution again.
- **Fast internal reset after power-on**
The oscillator watchdog unit provides a clock supply for the reset before the on-chip oscillator has started. The oscillator watchdog unit also works identically to the monitoring function.
- **Restart from the hardware power down mode.**
If the hardware power down mode is terminated the oscillator watchdog has to control the correct start-up of the on-chip oscillator and to restart the program. The oscillator watchdog function is only part of the complete hardware power down sequence; however, the watchdog works identically to the monitoring function.
- **Control of external wake-up from software power-down mode**
When the power-down mode is left by a low level at the P3.2/ $\overline{\text{INT0}}$ pin, the oscillator watchdog unit assures that the microcontroller resumes operation (execution of the power-down wake-up interrupt) with the nominal clock rate. In the power-down mode the RC oscillator and the on-chip oscillator are stopped. Both oscillators are started again when power-down mode is released. When the on-chip oscillator has a higher frequency than the RC oscillator, the microcontroller starts operation after a final delay of typ. 1 ms in order to allow the on-chip oscillator to stabilize.

Note: The oscillator watchdog unit is always enabled.

Figure 8-3 shows the block diagram of the oscillator watchdog unit. It consists of an internal RC oscillator which provides the reference frequency for the comparison with the frequency of the on-chip oscillator. It also shows the modifications which have been made for integration of the wake-up from power down mode capability.

Special Function Register IP0 (Address A9H)

Reset Value : 00H

	MSB							LSB		
Bit No.	7	6	5	4	3	2	1	0		
A9H	OWDS	WDTS	IP0.5	IP0.4	IP0.3	IP0.2	IP0.1	IP0.0		IP0

The shaded bits are not used for fail save control.

Bit	Function
OWDS	Oscillator Watchdog Timer Status Flag. Set by hardware when an oscillator watchdog reset occurred. Can be set and cleared by software.

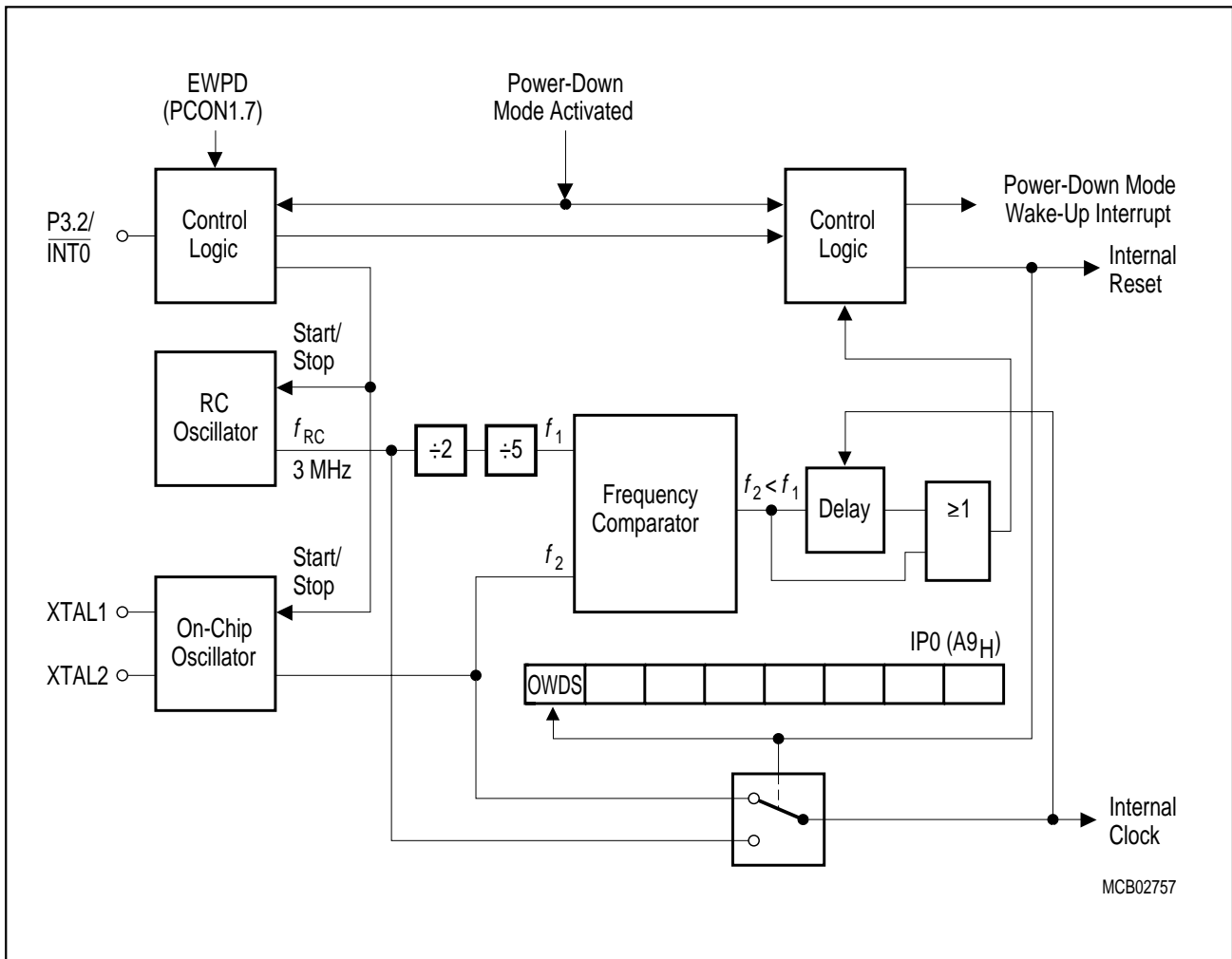


Figure 8-3
Functional Block Diagram of the Oscillator Watchdog

The frequency coming from the RC oscillator is divided by 2 and 5 and compared to the on-chip oscillator's frequency. If the frequency coming from the on-chip oscillator is found lower than the frequency derived from the RC oscillator the watchdog detects a failure condition (the oscillation at the on-chip oscillator could stop because of crystal damage etc.). In this case it switches the input of the internal clock system to the output of the RC oscillator. This means that the part is being clocked even if the on-chip oscillator has stopped or has not yet started. At the same time the watchdog activates the internal reset in order to bring the part in its defined reset state. The reset is performed because clock is available from the RC oscillator. This internal watchdog reset has the same effects as an externally applied reset signal with the following exceptions: The Watchdog Timer Status flag WDTS is not reset (the Watchdog Timer however is stopped); and bit OWDS is set. This allows the software to examine error conditions detected by the Watchdog Timer even if meanwhile an oscillator failure occurred.

The oscillator watchdog is able to detect a recovery of the on-chip oscillator after a failure. If the frequency derived from the on-chip oscillator is again higher than the reference the watchdog starts a final reset sequence which takes typ. 1 ms. Within that time the clock is still supplied by the RC oscillator and the part is held in reset. This allows a reliable stabilization of the on chip oscillator.

After that, the watchdog toggles the clock supply back to the on-chip oscillator and releases the reset request. If no reset is applied in this moment the part will start program execution. If an external reset is active, however, the device will keep the reset state until also the external reset request disappears.

Furthermore, the status flag OWDS is set if the oscillator watchdog was active. The status flag can be evaluated by software to detect that a reset was caused by the oscillator watchdog. The flag OWDS can be set or cleared by software. An external reset request, however, also resets OWDS (and WDTS).

If software power-down mode is activated the RC oscillator and the on-chip oscillator is stopped. Both oscillators are again started in power-down mode when a low level is detected at the P3.2/ $\overline{\text{INT0}}$ input pin and when bit EWPD in SFR PCON1 is set (wake-up from power-down mode enabled). After the start-up phase of the watchdog circuitry in power-down mode, a power-down mode wake-up interrupt is generated (instead of an internal reset). Detailed description of the wake-up from software power-down mode is given in section 9.4.2.

Fast Internal Reset after Power-On

The C515C can use the oscillator watchdog unit for a fast internal reset procedure after power-on.

Normally the members of the 8051 family (e. g. SAB 80C52) enter their default reset state not before the on-chip oscillator starts. The reason is that the external reset signal must be internally synchronized and processed in order to bring the device into the correct reset state. Especially if a crystal is used the start up time of the oscillator is relatively long (typ. 1 ms). During this time period the pins have an undefined state which could have severe effects e.g. to actuators connected to port pins.

In the C515C the oscillator watchdog unit avoids this situation. After power-on the oscillator watchdog's RC oscillator starts working within a very short start-up time (typ. less than 2 microseconds). In the following the watchdog circuitry detects a failure condition for the on-chip oscillator because this has not yet started (a failure is always recognized if the watchdog's RC oscillator runs faster than the on-chip oscillator). As long as this condition is valid the watchdog uses the RC oscillator output as clock source for the chip. This allows correct resetting of the part and brings all ports to the defined state (see also chapter 5 of this manual).

9 Power Saving Modes

The C515C provides two basic power saving modes, the idle mode and the power down mode. Additionally, a slow down mode is available. This power saving mode reduces the internal clock rate in normal operating mode and it can be also used for further power reduction in idle mode.

9.1 Power Saving Mode Control Registers

The functions of the power saving modes are controlled by bits which are located in the special function registers PCON und PCON1. The SFR PCON is located at SFR address 87H. PCON1 is located in the mapped SFR area (RMAP=1) at SFR address 88H. Bit RMAP, which controls the access to the mapped SFR area, is located in SFR SYSCON (B1H).

The bits PDE, PDS and IDLE, IDLS located in SFR PCON select the power down mode or the idle mode, respectively. If the power down mode and the idle mode are set at the same time, power down takes precedence.

Special Function Register PCON (Address 87H)

Reset Value : 00H

Bit No.	MSB								LSB	
	7	6	5	4	3	2	1	0		
87H	SMOD	PDS	IDLS	SD	GF1	GF0	PDE	IDLE		PCON

The function of the shaded bit is not described in this section.

Symbol	Function
PDS	Power down start bit The instruction that sets the PDS flag bit is the last instruction before entering the power down mode
IDLS	Idle start bit The instruction that sets the IDLS flag bit is the last instruction before entering the idle mode.
SD	Slow down mode bit When set, the slow down mode is enabled
GF1	General purpose flag
GF0	General purpose flag
PDE	Power down enable bit When set, starting of the power down is enabled
IDLE	Idle mode enable bit When set, starting of the idle mode is enabled

Note : The PDS bit, which controls the software power down mode is forced to logic low whenever the external PE/SWD pin is held at logic high level. Changing the logic level of the PE/SWD pin from high to low will irregularly terminate the software power down mode and is not permitted.

Special Function Register PCON1 (Mapped Addr. 88_H) **Reset Val. C515C-8R : 0XXXXXXX_B**
Reset Val. C515C-8E : 0XX0XXXX_B

Bit No.	MSB								LSB	
	7	6	5	4	3	2	1	0		
88 _H	EYPD	–	–	WS	–	–	–	–		PCON1

Symbol	Function
EYPD	External wake-up from power down enable bit Setting EYPD before entering power down mode, enables the external wake-up from power down mode capability via the pin P3.2/ $\overline{\text{INT0}}$ (more details see section 9.2).
WS	Wake-up from software power down mode source select WS = 0 : wake-up via pin P3.2/ $\overline{\text{INT0}}$ selected (default after reset) WS = 1 : wake-up via pin P4.7/RXDC selected
–	Reserved bits for future use.

9.2 Idle Mode

In the idle mode the oscillator of the C515C continues to run, but the CPU is gated off from the clock signal. However, the interrupt system, the serial port, the A/D converter, the CAN controller, the SSC interface, and all timers with the exception of the watchdog timer are further provided with the clock. The CPU status is preserved in its entirety: the stack pointer, program counter, program status word, accumulator, and all other registers maintain their data during idle mode.

The reduction of power consumption, which can be achieved by this feature depends on the number of peripherals running. If all timers are stopped and the A/D converter, and the serial interfaces are not running, the maximum power reduction can be achieved. This state is also the test condition for the idle mode I_{CC} .

Thus, the user has to take care which peripheral should continue to run and which has to be stopped during idle mode. Also the state of all port pins – either the pins controlled by their latches or controlled by their secondary functions – depends on the status of the controller when entering idle mode.

Normally, the port pins hold the logical state they had at the time when the idle mode was activated. If some pins are programmed to serve as alternate functions they still continue to output during idle mode if the assigned function is on. This especially applies to the system clock output signal at pin P1.6/CLKOUT and to the serial interfaces in case it cannot finish reception or transmission during normal operation. The control signals ALE and \overline{PSEN} are hold at logic high levels.

As in normal operation mode, the ports can be used as inputs during idle mode. Thus a capture or reload operation can be triggered, the timers can be used to count external events, and external interrupts will be detected.

The idle mode is a useful feature which makes it possible to "freeze" the processor's status - either for a predefined time, or until an external event reverts the controller to normal operation, as discussed below. The watchdog timer is the only peripheral which is automatically stopped during idle mode.

The idle mode is entered by two consecutive instructions. The first instruction sets the flag bit IDLE (PCON.0) and must not set bit IDLS (PCON.5), the following instruction sets the start bit IDLS (PCON.5) and must not set bit IDLE (PCON.0). The hardware ensures that a concurrent setting of both bits, IDLE and IDLS, does not initiate the idle mode. Bits IDLE and IDLS will automatically be cleared after being set. If one of these register bits is read the value that appears is 0. This double instruction is implemented to minimize the chance of an unintentional entering of the idle mode which would leave the watchdog timer's task of system protection without effect.

Note:

PCON is not a bit-addressable register, so the above mentioned sequence for entering the idle mode is obtained by byte-handling instructions, as shown in the following example:

```
ORL    PCON,#00000001B    ;Set bit IDLE, bit IDLS must not be set
ORL    PCON,#00100000B    ;Set bit IDLS, bit IDLE must not be set
```

The instruction that sets bit IDLS is the last instruction executed before going into idle mode.

There are two ways to terminate the idle mode:

- The idle mode can be terminated by activating any enabled interrupt. This interrupt will be serviced and normally the instruction to be executed following the RETI instruction will be the one following the instruction that sets the bit IDLS.
- The other way to terminate the idle mode, is a hardware reset. Since the oscillator is still running, the hardware reset must be held active only for two machine cycles for a complete reset.

9.3 Slow Down Mode Operation

In some applications, where power consumption and dissipation is critical, the controller might run for a certain time at reduced speed (e.g. if the controller is waiting for an input signal). Since in CMOS devices there is an almost linear dependence of the operating frequency and the power supply current, a reduction of the operating frequency results in reduced power consumption.

In the slow down mode all signal frequencies that are derived from the oscillator clock are divided by 32. This also includes the clock output signal at pin P1.6/CLKOUT. Further, if the slow down mode is used pin \overline{PE}/SWD must be held low.

The slow down mode is activated by setting the bit SD in SFR PCON. If the slow down mode is enabled, the clock signals for the CPU and the peripheral units are reduced to 1/32 of the nominal system clock rate. The controller actually enters the slow down mode after a short synchronization period (max. two machine cycles). The slow down mode is disabled by clearing bit SD.

The slow down mode can be combined with the idle mode by performing the following double instruction sequence:

```
    ORL    PCON,#00000001B      ; preparing idle mode: set bit IDLE (IDLS not set)
    ORL    PCON,#00110000B      ; entering idle mode combined with the slow down mode:
                                ; (IDLS and SD set)
```

There are two ways to terminate the combined Idle and Slow Down Mode :

- The idle mode can be terminated by activation of any enabled interrupt. The CPU operation is resumed, the interrupt will be serviced and the next instruction to be executed after the RETI instruction will be the one following the instruction that sets the bits IDLS and SD. Nevertheless the slow down mode keeps enabled and if required has to be disabled by clearing the bit SD in the corresponding interrupt service routine or after the instruction that sets the bits IDLS and SD.
- The other possibility of terminating the combined idle and slow down mode is a hardware reset. Since the oscillator is still running, the hardware reset has to be held active for only two machine cycles for a complete reset.

9.4 Software Power Down Mode

In the software power down mode, the RC oscillator and the on-chip oscillator which operates with the XTAL pins is stopped. Therefore, all functions of the microcontroller are stopped and only the contents of the on-chip RAM, XRAM and the SFR's are maintained. The port pins, which are controlled by their port latches, output the values that are held by their SFR's. The port pins which serve the alternate output functions show the values they had after the last instruction which initiated the software power down mode. ALE and $\overline{\text{PSEN}}$ hold at logic low level (see **table 9-1**).

In the software power down mode of operation, V_{CC} can be reduced to minimize power consumption. It must be ensured, however, that V_{CC} is not reduced before the software power down mode is invoked, and that V_{CC} is restored to its normal operating level before the software power down mode is terminated.

The software power down mode can be left either by an active reset signal or by a low signal at the P3.2/ $\overline{\text{INT0}}$ pin (or pin P4.7/RXDC, C515C-8E only, see also **chapter 6.5.8**). Using reset to leave software power down mode puts the microcontroller with its SFRs into the reset state. Using the P3.2/ $\overline{\text{INT0}}$ pin (or pin P4.7/RXDC, C515C-8E only) for software power down mode exit starts the RC oscillator and the on-chip oscillator and maintains the state of the SFRs, which has been frozen when software power down mode is entered. Leaving software power down mode should not be done before V_{CC} is restored to its nominal operating level.

9.4.1 Invoking Software Power Down Mode

The software power down mode is entered by two consecutive instructions. The first instruction has to set the flag bit PDE (PCON.1) and must not set bit PDS (PCON.6), the following instruction has to set the start bit PDS (PCON.6) and must not set bit PDE (PCON.1). The hardware ensures that a concurrent setting of both bits, PDE and PDS, does not initiate the power down mode. Bits PDE and PDS will automatically be cleared after having been set and the value shown by reading one of these bits is always 0. This double instruction is implemented to minimize the chance of unintentionally entering the software power down mode which could possibly "freeze" the chip's activity in an undesired status.

PCON is not a bit-addressable register, so the above mentioned sequence for entering the software power down mode is obtained by byte-handling instructions, as shown in the following example:

```
ORL    PCON,#00000010B    ;set bit PDE, bit PDS must not be set
ORL    PCON,#01000000B    ;set bit PDS, bit PDE must not be set, enter power down
```

The instruction that sets bit PDS is the last instruction executed before going into software power down mode. When the double instruction sequence shown above is used, the software power down mode can only be left by a reset operation. If the external wake-up from power down capability has also to be used, its function must be enabled using the following instruction sequence prior to executing the double instruction sequence shown above.

```
ORL    SYSCON,#00010000B   ;set RMAP
ORL    PCON1,#80H          ;enable external wake-up from software power down by
                           ;setting EWPD
ANL    SYSCON,#11101111B   ;reset RMAP (for future SFR accesses)
```

Setting EWPD automatically disables all interrupts still maintaining all actual values of the interrupt enable bits.

Note: Before entering the software power down mode, an A/D conversion in progress must be stopped.

9.4.2 Exit from Software Power Down Mode

If software power down mode is exit via a hardware reset, the microcontroller with its SFRs is put into the hardware reset state and the content of RAM and XRAM are not changed. The reset signal that terminates the software power down mode also restarts the RC oscillator and the on-chip oscillator. The reset operation should not be activated before V_{CC} is restored to its normal operating level and must be held active long enough to allow the oscillator to restart and stabilize (similar to power-on reset).

Figure 9-1 shows the procedure which must be executed when software power down mode is left via the P3.2/ $\overline{INT0}$ wake-up capability.

In the C515C-8E, the exit from software power down mode procedure can also be triggered through pin P4.7/RXDC. This pin is selected for the wake-up function when bit WS in SFR PCON1 is set. The following description refers only to pin P3.2/ $\overline{INT0}$ but is also valid for pin P4.7/RXDC.

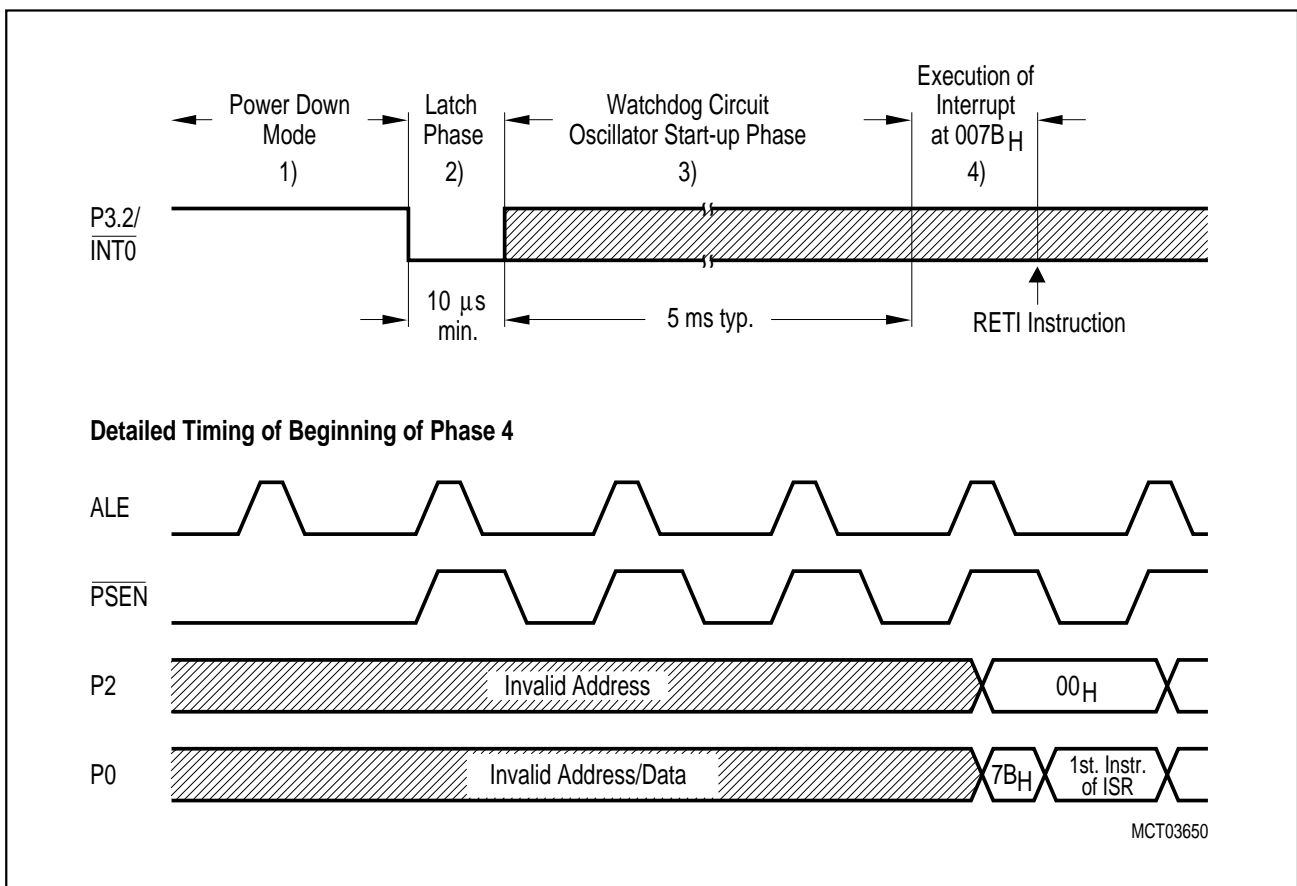


Figure 9-1
Wake-up from Power Down Mode Procedure

When the software power down mode wake-up capability has been enabled (bit EWPD in SFR PCON1 set) prior to entering software power down mode, the software power down mode can be exit via $\overline{\text{INT0}}$ while executing the following procedure :

1. In software power down mode pin P3.2/ $\overline{\text{INT0}}$ must be held at high level.
2. Software power down mode is left when P3.2/ $\overline{\text{INT0}}$ goes low for at least 10 μs (latch phase). After this delay the internal RC oscillator and the on-chip oscillator are started, the state of pin P3.2/ $\overline{\text{INT0}}$ is internally latched, and P3.2/ $\overline{\text{INT0}}$ can be set again to high level if required. Thereafter, the oscillator watchdog unit controls the wake-up procedure in its start-up phase.
3. The oscillator watchdog unit starts operation. When the on-chip oscillator clock is detected for stable nominal frequency, the microcontroller starts again with its operation initiating the software power down wake-up interrupt. The interrupt address of the first instruction to be executed after wake-up is 007BH.
4. After the RETI instruction of the software power down wake-up interrupt routine has been executed, the instruction which follows the initiating power down mode double instruction sequence will be executed. The peripheral units timer 0/1/2, SSC, CAN controller, and WDT are frozen until end of phase 4.

All interrupts of the C515C are disabled from phase 2) until the end of phase 4). Other Interrupts can be first handled after the RETI instruction of the wake-up interrupt routine. If e.g pin P3.2/ $\overline{\text{INT0}}$ is still at low level at the end of phase 4), an external interrupt 0 interrupt routine will be processed after the RETI instruction of the software power down wake-up interrupt routine (if the external interrupt 0 was enabled before by setting bit EX0 in SFR IEN0).

9.5 State of Pins in Software Initiated Power Saving Modes

In the idle mode and in the software power down mode the port pins of the C515C have a well defined status which is listed in the following **table 9-1**. This state of some pins also depends on the location of the code memory (internal or external).

Table 9-1
Status of External Pins During Idle and Software Power Down Mode

Outputs	Last Instruction Executed from Internal Code Memory		Last Instruction Executed from External Code Memory	
	Idle	Power Down	Idle	Power Down
ALE	High	Low	High	Low
$\overline{\text{PSEN}}$	High	Low	High	Low
PORT 0	Data	Data	Float	Float
PORT2	Data	Data	Address	Data
PORT1, 3, 5	Data / alternate outputs	Data / last output	Data / alternate outputs	Data / last output
PORT 5	Data	Data	Data	Data
P7.0	Data	Data	Data	Data

9.6 Hardware Power Down Mode

The power down mode of the C515C can also be initiated by an external signal at the pin $\overline{\text{HWPD}}$. Because this power down mode is activated by an external hardware signal it mode is referred to as hardware power down mode in opposite to the program controlled software power down mode.

Pin $\overline{\text{PE/SWD}}$ has no control function for the hardware power down mode; it enables and disables only the use of all software controlled power saving modes (idle mode, software power down mode).

The function of the hardware power down mode is as follows:

- The pin $\overline{\text{HWPD}}$ controls this mode. If it is on logic high level (inactive) the part is running in the normal operating modes. If pin $\overline{\text{HWPD}}$ gets active (low level) the part enters the hardware power down mode; as mentioned above this is independent of the state of pin $\overline{\text{PE/SWD}}$.

$\overline{\text{HWPD}}$ is sampled once per machine cycle. If it is found active, the device starts a complete internal reset sequence. This takes two machine cycles; all pins have their default reset states during this time. This reset has exactly the same effects as a hardware reset; i.e. especially the watchdog timer is stopped and its status flag WDTS is cleared. In this phase the power consumption is not yet reduced. After completion of the internal reset both oscillators of the chip are disabled, the on-chip oscillator as well as the oscillator watchdog's RC oscillator. At the same time the port pins and several control lines enter a floating state as shown in **table 9-2**. In this state the power consumption is reduced to the power down current I_{PD} . Also the supply voltage can be reduced.

Table 9-2 also lists the voltages which may be applied at the pins during hardware power down mode without affecting the low power consumption.

**Table 9-2
Status of all Pins During Hardware Power Down Mode**

Pins	Status	Voltage Range at Pin During HW-Power Down
P0, P1, P2, P3, P4, P5, P6, P7	Floating outputs/ Disabled input function	$V_{SS} \leq V_{IN} \leq V_{CC}$
$\overline{\text{EA}}$	Active input	$V_{IN} = V_{CC}$ or $V_{IN} = V_{SS}$
$\overline{\text{PE/SWD}}$	Active input, Pull-up resistor Disabled during HW power down	$V_{IN} = V_{CC}$ or $V_{IN} = V_{SS}$
XTAL 1	Active output	pin may not be driven
XTAL 2	Disabled input function	$V_{SS} \leq V_{IN} \leq V_{CC}$
$\overline{\text{PSEN}}$, ALE	Floating outputs/ Disabled input function (for test modes only)	$V_{SS} \leq V_{IN} \leq V_{CC}$
$\overline{\text{RESET}}$	Active input; must be at high level if $\overline{\text{HWPD}}$ is used	$V_{IN} = V_{CC}$
V_{ARef}	ADC reference supply input	$V_{SS} \leq V_{IN} \leq V_{CC}$

The hardware power down mode is maintained while pin $\overline{\text{HWPD}}$ is held active. If $\overline{\text{HWPD}}$ goes to high level (inactive state) an automatic start up procedure is performed:

- First the pins leave their floating condition and enter their default reset state as they had immediately before going to float state.
- Both oscillators are enabled. While the on-chip oscillator (with pins XTAL1 and XTAL2) usually needs a longer time for start-up, if not externally driven (with crystal approx. 1 ms), the oscillator watchdog's RC oscillator has a very short start-up time (typ. less than 2 microseconds).
- Because the oscillator watchdog is active it detects a failure condition if the on-chip oscillator hasn't yet started. Hence, the watchdog keeps the part in reset and supplies the internal clock from the RC oscillator.
- Finally, when the on-chip oscillator has started, the oscillator watchdog releases the part from reset after it performed a final internal reset sequence and switches the clock supply to the on-chip oscillator. This is exactly the same procedure as when the oscillator watchdog detects first a failure and then a recovering of the oscillator during normal operation. Therefore, also the oscillator watchdog status flag is set after restart from hardware power down mode. When automatic start of the watchdog was enabled ($\overline{\text{PE}}/\text{SWD}$ connected to V_{CC}), the watchdog timer will start, too (with its default reload value for time-out period).

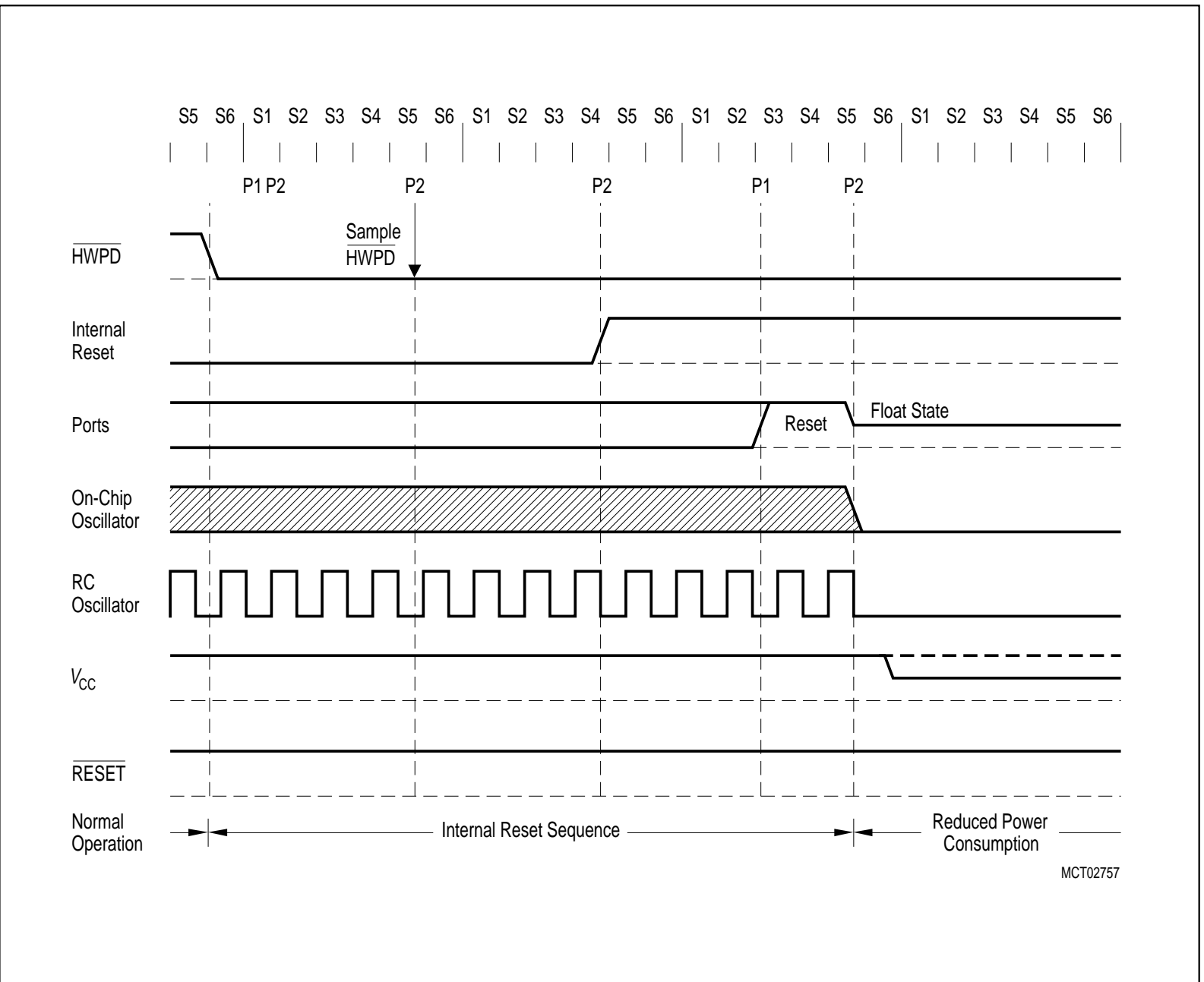
The SWD-Function of the $\overline{\text{PE}}/\text{SWD}$ Pin is sampled only by a hardware reset. Therefore at least one power-on reset has to be performed.

9.7 Hardware Power Down Reset Timing

Following figures show the timing diagrams for entering (**figure 9-1**) and leaving (**figure 9-2**) the hardware power down mode. If there is only a short signal at pin $\overline{\text{HWPD}}$ (i.e. $\overline{\text{HWPD}}$ is sampled active only once), then a complete internal reset is executed. Afterwards, the normal program execution starts again (**figure 9-3**).

Note: Delay time caused by internal logic is not included.

The $\overline{\text{RESET}}$ pin overrides the hardware power down function, i.e. if reset gets active during hardware power down it is terminated and the device performs the normal reset function. Thus, pin $\overline{\text{TESET}}$ has to be inactive during hardware power down mode.



MCT02757

Figure 9-2
Timing Diagram of Entering Hardware Power Down Mode

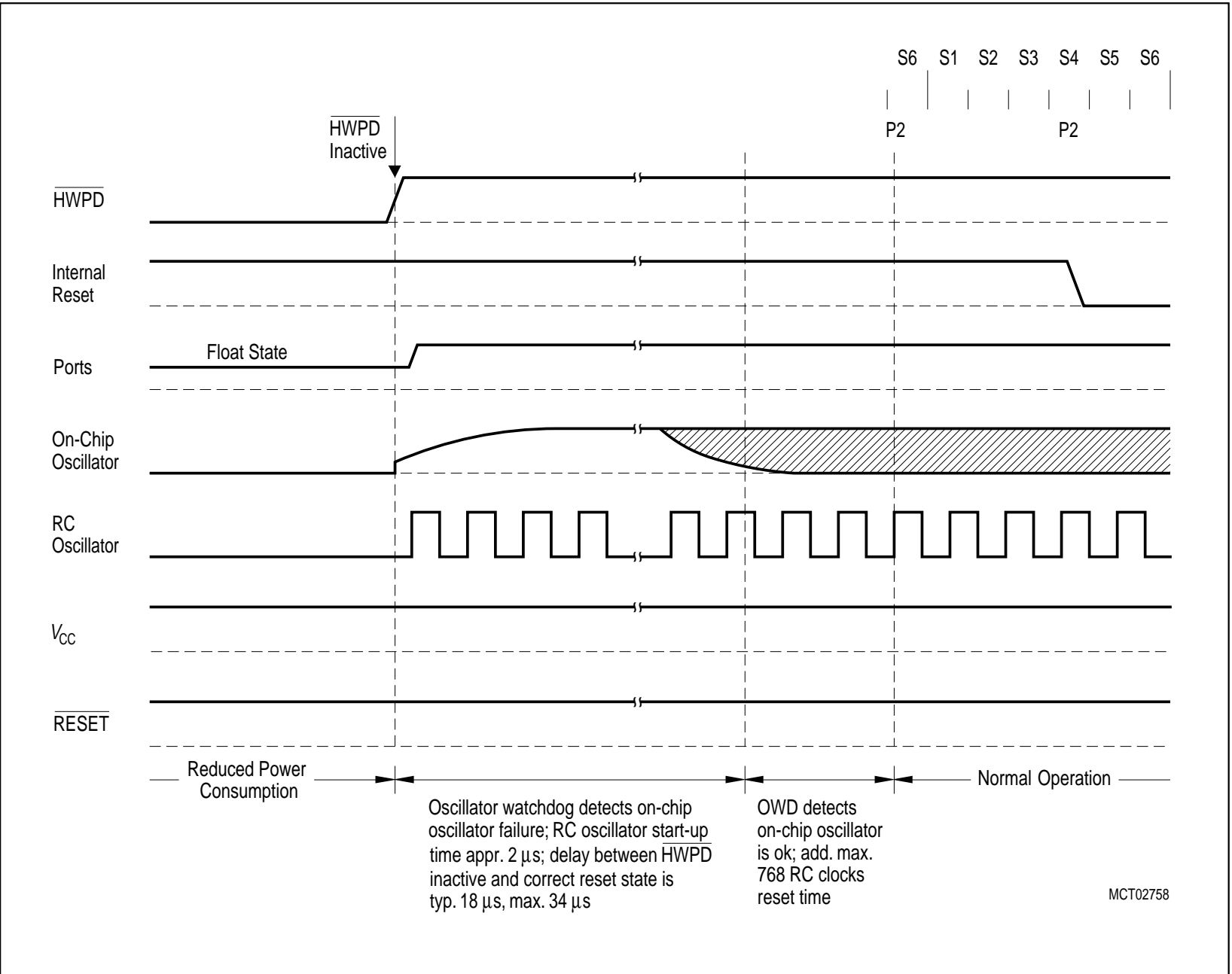
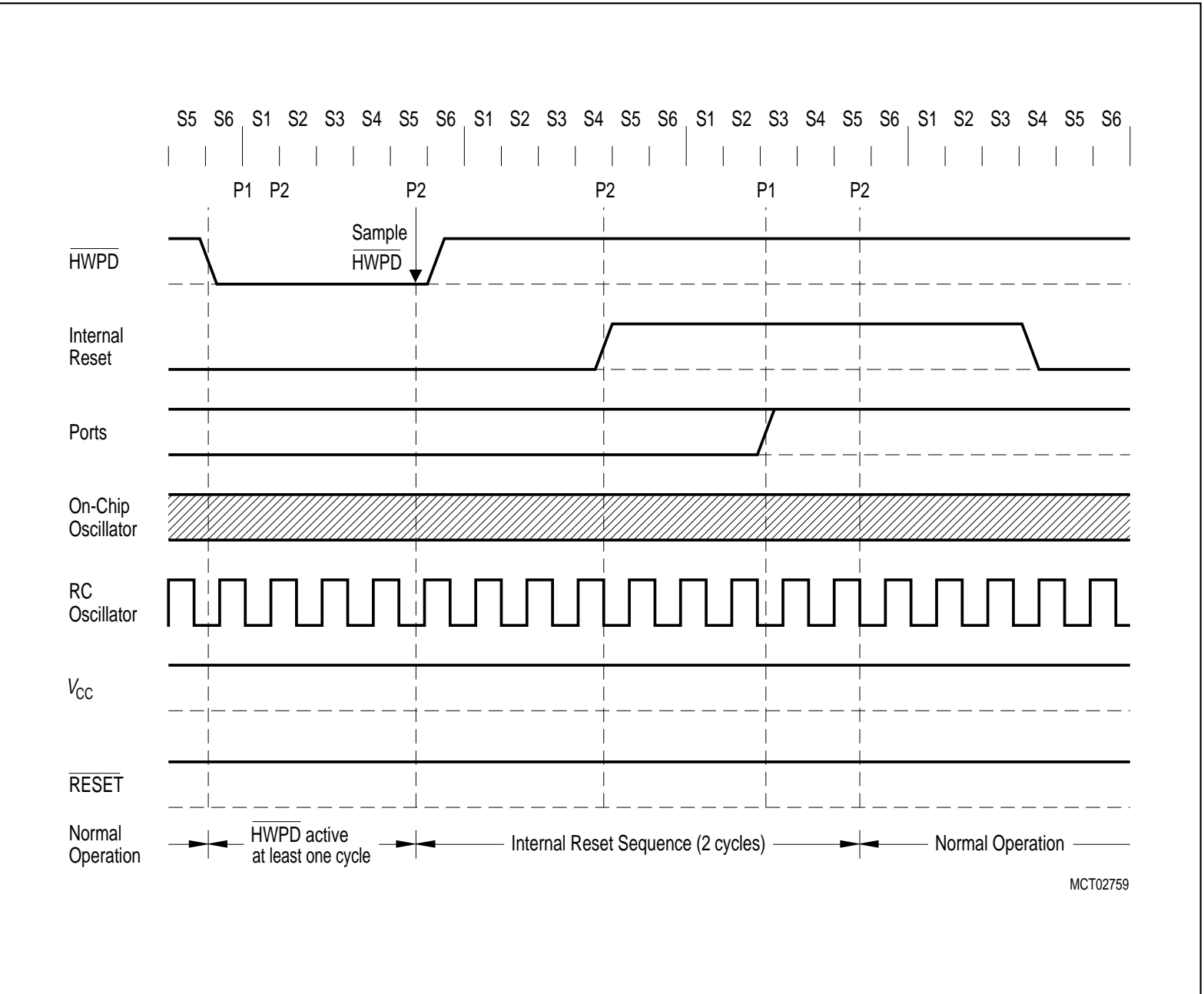


Figure 9-3
Timing Diagram of Leaving Hardware Power Down Mode



MCT02759

Figure 9-4
Timing Diagram of Hardware Power Down Mode, HWPD-Pin is active for only one Cycle

9.8 $\overline{\text{CPUR}}$ Signal

The dedicated output pin $\overline{\text{CPUR}}$ of the C515C provides a control output signal, which indicates when the CPU is running and executing instructions from internal ROM or external program memory. In this state $\overline{\text{CPUR}}$ is set to low level. $\overline{\text{CPUR}}$ is inactive (floating or set to high level) in the following states of the CPU :

- in hardware power down mode
- in software power down mode
- in idle mode
- with an active $\overline{\text{RESET}}$ input signal

In a microcontroller application with the C515C, $\overline{\text{CPUR}}$ typically can be used to put an external program memory device (EPROM) into its power saving mode (chip enable = high) when the C515C is put into power down mode or idle mode.

The timing diagram in **figure 9-5** shows the typical behaviour of the $\overline{\text{CPUR}}$ signal when entering and leaving the software power down mode.

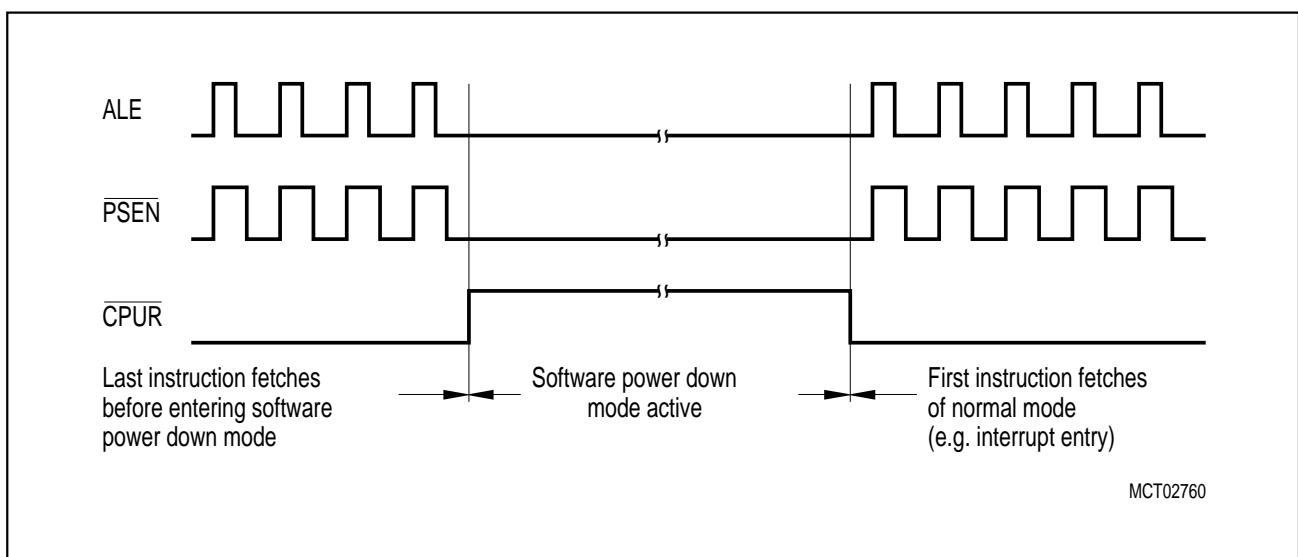


Figure 9-5
 $\overline{\text{CPUR}}$ Timing in Software Power Down Mode

Note: In hardware power down mode, $\overline{\text{CPUR}}$ is at floating level. In software power down mode, idle mode, and with an active $\overline{\text{RESET}}$ input signal $\overline{\text{CPUR}}$ is set to high level.

10 OTP Memory Operation (C515C-8E only)

The C515C-8E is the OTP version in the C515C microcontroller with a 64 Kbyte one-time programmable (OTP) program memory. With the C515C-8E fast programming cycles are achieved (1 byte in 100 μ sec). Also several levels of OTP memory protection can be selected. The basic functionality of the C515C-8E as microcontroller is identical to the C515C-8R (ROM part) or C515C-L (romless part) functionality. Therefore, the programmable C515C-8E typically can be used for prototype system design as a replacement for the ROM-based C515C-8R microcontroller.

10.1 Programming Configuration

During normal program execution the C515C-8E behaves like the C515C-8R/C515C-L. For programming of the device, the C515C-8E must be put into the programming mode. This typically is done not in-system but in a special programming hardware. In the programming mode the C515C-8E operates as a slave device similar as an EPROM standalone memory device and must be controlled with address/data information, control lines, and an external 11.5 V programming voltage.

In the programming mode port 0 provides the bidirectional data lines and port 2 is used for the multiplexed address inputs. The upper address information at port 2 is latched with the signal PALE. For basic programming mode selection the inputs $\overline{\text{RESET}}$, $\overline{\text{PSEN}}$, $\overline{\text{EA}}/V_{\text{PP}}$, ALE, PMSEL1/0, and $\overline{\text{PSEL}}$ are used. Further, the inputs PMSEL1,0 are required to select the access types (e.g. program/verify data, write lock bits, ...) in the programming mode. In programming mode $V_{\text{CC}}/V_{\text{SS}}$ and a clock signal at the XTAL pins must be applied to the C515C-8E. The 11.5 V external programming voltage is input through the $\overline{\text{EA}}/V_{\text{PP}}$ pin.

Figure 10-1 shows the pins of the C515C-8E which are required for controlling of the OTP programming mode.

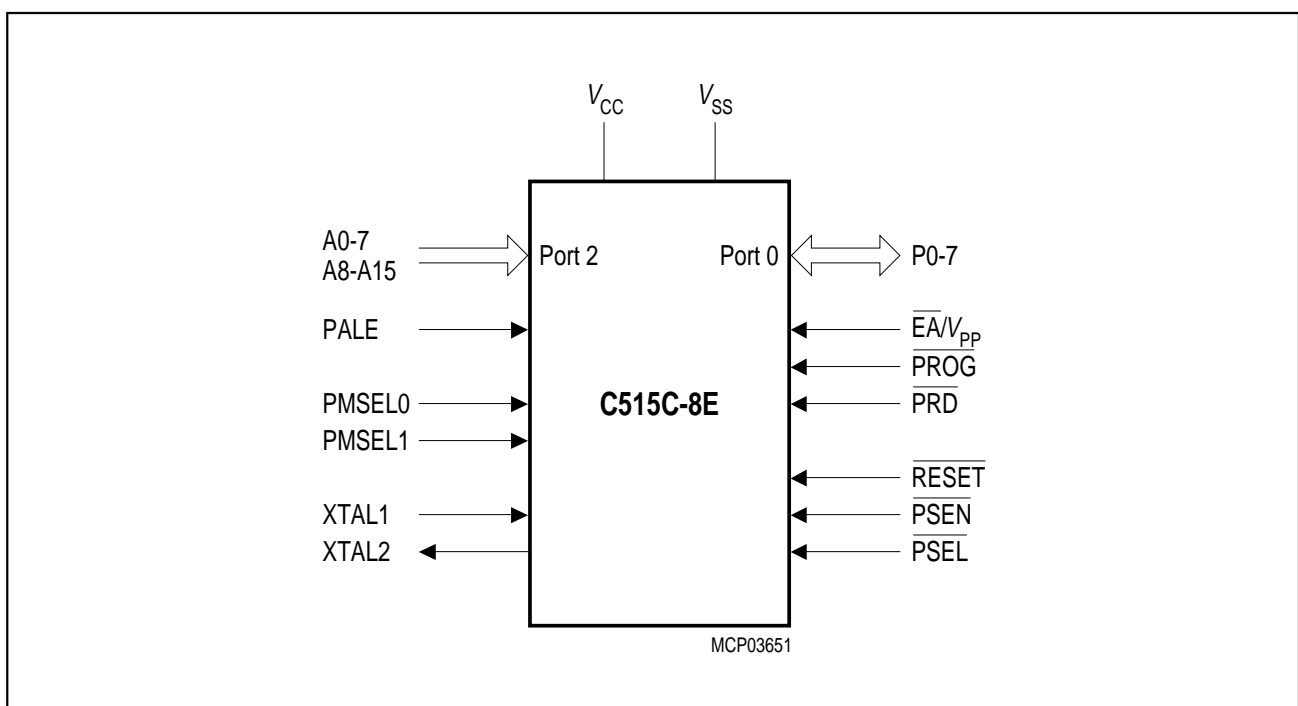


Figure 10-1
C515C-8E Programming Mode Configuration

10.2 Pin Configuration

Figure 10-2 shows the detailed pin configuration (P-MQFP-80 package) of the C515C-8E in programming mode.

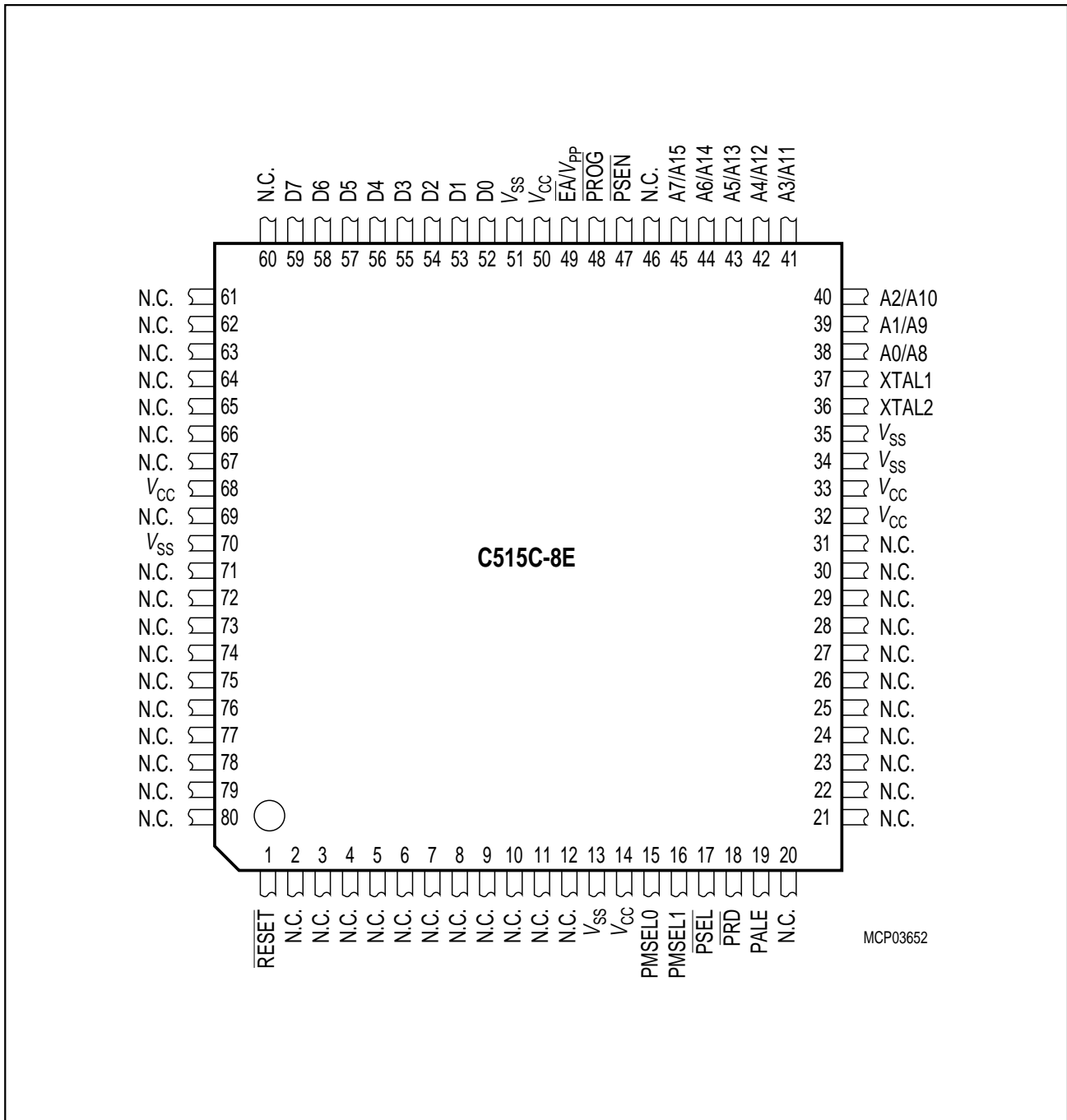


Figure 10-2
Pin Configuration of the C515C-8E in Programming Mode (Top View)

10.3 Pin Definitions

The following **table 10-1** contains the functional description of all C515C-8E pins which are required for OTP memory programming.

Table 10-1
Pin Definitions and Functions in Programming Mode

Symbol	Pin Number	I/O*)	Function															
RESET	1	I	Reset This input must be at static "0" (active) level during the whole programming mode.															
PMSEL0 PMSEL1	15 16	I I	Programming mode selection pins These pins are used to select the different access modes in programming mode. PMSEL1,0 must satisfy a setup time to the rising edge of PALE. When the logic level of PMSEL1,0 is changed, PALE must be at low level. <table border="1" data-bbox="595 895 1419 1150"> <thead> <tr> <th>PMSEL1</th> <th>PMSEL0</th> <th>Access Mode</th> </tr> </thead> <tbody> <tr> <td>0</td> <td>0</td> <td>Reserved</td> </tr> <tr> <td>0</td> <td>1</td> <td>Read version bytes</td> </tr> <tr> <td>1</td> <td>0</td> <td>Program/read lock bits</td> </tr> <tr> <td>1</td> <td>1</td> <td>Program/read OTP memory byte</td> </tr> </tbody> </table>	PMSEL1	PMSEL0	Access Mode	0	0	Reserved	0	1	Read version bytes	1	0	Program/read lock bits	1	1	Program/read OTP memory byte
PMSEL1	PMSEL0	Access Mode																
0	0	Reserved																
0	1	Read version bytes																
1	0	Program/read lock bits																
1	1	Program/read OTP memory byte																
PSEL	17	I	Basic programming mode select This input is used for the basic programming mode selection and must be switched according figure 3 .															
PRD	18	I	Programming mode read strobe This input is used for read access control for OTP memory read, version byte read, and lock bit read operations.															
PALE	19	I	Programming address latch enable PALE is used to latch the high address lines. The high address lines must satisfy a setup and hold time to/from the falling edge of PALE. PALE must be at low level whenever the logic level of PMSEL1,0 is changed.															
XTAL2	36	I	XTAL2 Input to the oscillator amplifier.															
XTAL1	37	O	XTAL1 Output of the inverting oscillator amplifier.															
A0/A8 - A7/A15	38 - 45	I	Address lines P2.0-7 are used as multiplexed address input lines A0-A7 and A8-A15. A8-A15 must be latched with PALE.															

*) I = Input
O = Output

Table 10-1
Pin Definitions and Functions in Programming Mode (cont'd)

Symbol	Pin Number	I/O*)	Function
$\overline{\text{PSEN}}$	47	I	Program store enable This input must be at static "0" level during the whole programming mode.
$\overline{\text{PROG}}$	48	I	Programming mode write strobe This input is used in programming mode as a write strobe for OTP memory program and lock bit write operations. During basic programming mode selection a low level must be applied to $\overline{\text{PROG}}$.
$\overline{\text{EA}}/V_{\text{PP}}$	49	I	External Access / Programming voltage This pin must be at 11.5 V (V_{PP}) voltage level during programming of an OTP memory byte or lock bit. During an OTP memory read operation this pin must be at high level (V_{IH}). This pin is also used for basic programming mode selection. At basic programming mode selection a low level must be applied to $\overline{\text{EA}}/V_{\text{PP}}$.
D0 - 7	52 - 58	I/O	Data lines 0-7 During programming mode, data bytes are read or written from or to the C515C-8E via the bidirectional D0-7 which are located at port 0.
V_{SS}	13, 34, 35, 51, 70	–	Circuit ground potential must be applied to these pins in programming mode.
V_{CC}	14, 32, 33, 50, 69	–	Power supply terminal must be applied to these pins in programming mode.
N.C.	2-12, 20-31, 46, 60-67, 69, 71-80	–	Not Connected These pins should not be connected in programming mode.

*) I = Input
O = Output

10.4 Programming Mode Selection

The selection for the OTP programming mode can be separated into two different parts :

- Basic programming mode selection
- Access mode selection

With the basic programming mode selection the device is put into the mode in which it is possible to access the OTP memory through the programming interface logic. Further, after selection of the basic programming mode, OTP memory accesses are executed by using one of the access modes. These access modes are OTP memory byte program/read, version byte read, and program/read lock byte operations.

10.4.1 Basic Programming Mode Selection

The basic programming mode selection scheme is shown in **figure 10-3**.

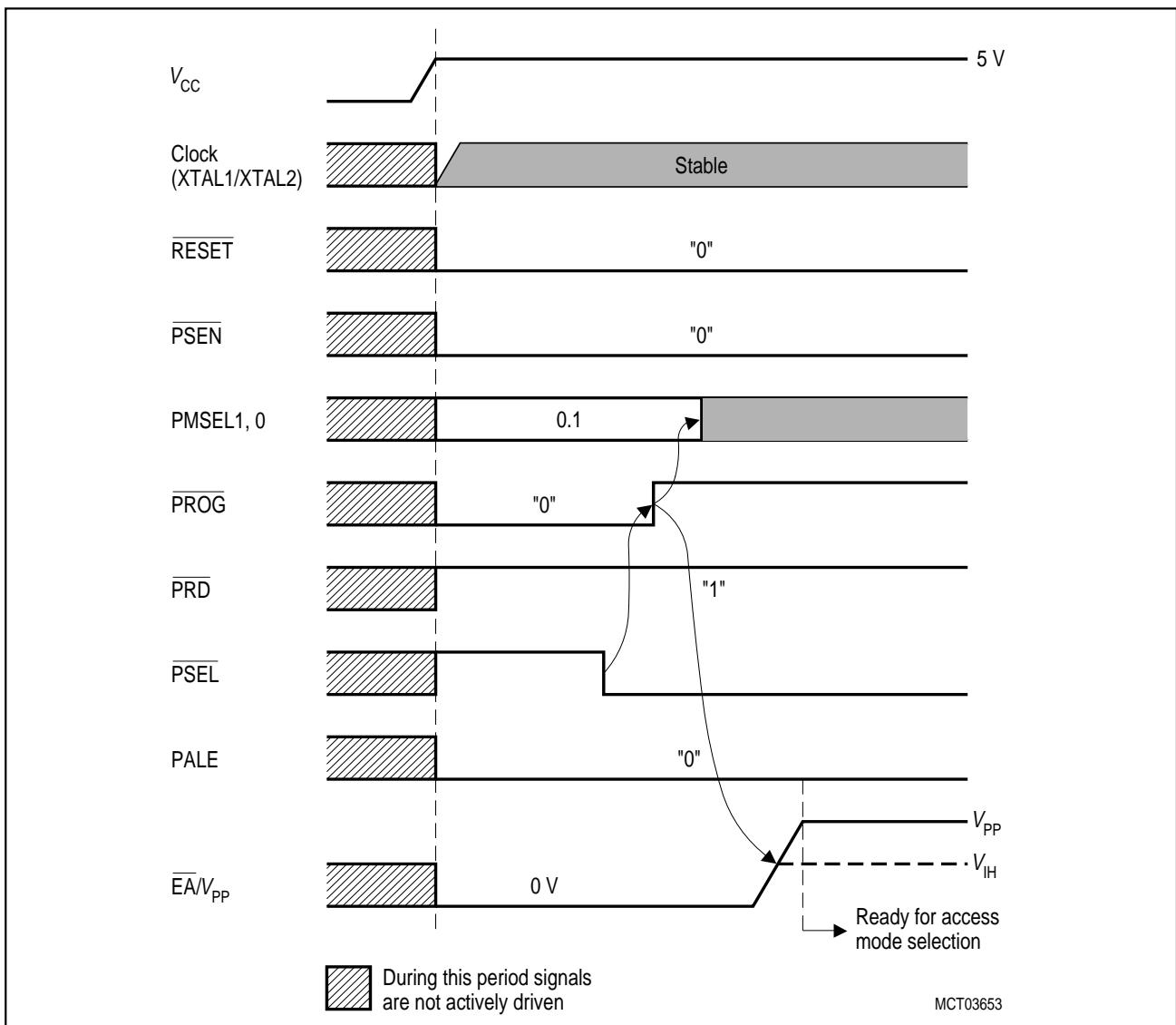


Figure 10-3
Basic Programming Mode Selection

The basic programming mode is selected by executing the following steps :

- With a stable V_{CC} and a clock signal applied to the XTAL pins; the \overline{RESET} and \overline{PSEN} pins are set to “0” level.
- \overline{PROG} , PALE, $\overline{PMSEL1}$ and \overline{EA}/V_{PP} are set to “0” level; \overline{PRD} , \overline{PSEL} , and $\overline{PMSEL0}$ are set to “1” level.
- \overline{PSEL} is set to from “1” to “0” level and thereafter \overline{PROG} is switched to “1” level.
- $\overline{PMSEL1,0}$ can now be changed; after \overline{EA}/V_{PP} has been set to V_{IH} high level or to V_{PP} the OTP memory is ready for access.

The pins \overline{RESET} and \overline{PSEN} must stay at static “0” signal level during the whole programming mode. With a falling edge of \overline{PSEL} the logic state of \overline{PROG} and \overline{EA}/V_{PP} is internally latched. These two signals are now used as programming write pulse signal (\overline{PROG}) and as programming voltage input pin V_{PP} . After the falling edge of \overline{PSEL} , \overline{PSEL} must stay at “0” state during all programming operations.

Note: If protection level 1 to 3 has been programmed (see section 10.6) and the programming mode has been left, it is no more possible to enter the programming mode !

10.4.2 OTP Memory Access Mode Selection

When the C515C-8E has been put into the programming mode using the basic programming mode selection, several access modes of the OTP memory programming interface are available. The conditions for the different control signals of these access modes are listed in **table 10-2**.

Table 10-2
Access Modes Selection

Access Mode	\overline{EA}/V_{PP}	\overline{PROG}	\overline{PRD}	PMSEL		Address (Port 2)	Data (Port 0)
				1	0		
Program OTP memory byte	V_{PP}		H	H	H	A0-7 A8-15	D0-7
Read OTP memory byte	V_{IH}	H					
Program OTP lock bits	V_{PP}		H	H	L	–	D1,D0 see table 10-3
Read OTP lock bits	V_{IH}	H					
Read OTP version byte	V_{IH}	H		L	H	Byte addr. of version byte	D0-7

The access modes from the table above are basically selected by setting the two $\overline{PMSEL1,0}$ lines to the required logic level. The \overline{PROG} and \overline{PRD} signal are the write and read strobe signal. Data is transferred via port 0 and addresses are applied to port 2.

The following sections describe the details of the different access modes.

10.5 Program / Read OTP Memory Bytes

The program/read OTP memory byte access mode is defined by PMSEL1,0 = 1,1. It is initiated when the PMSEL1,0 = 1,1 is valid at the rising edge of PALE. With the falling edge of PALE the upper addresses A8-A15 of the 16-bit OTP memory address are latched. After A8-A15 has been latched, A0-A7 is put on the address bus (port 2). A0-A7 must be stable when $\overline{\text{PROG}}$ is low or $\overline{\text{PRD}}$ is low. If subsequent OTP address locations are accessed with constant address information at the high address lines A8-15, A8-A15 must only be latched once (page address mechanism).

Figure 10-4 shows a typical OTP memory programming cycle with a following OTP memory read operation. In this example A8-A15 of the read operation are identical to A8-A15 of the preceding programming operation.

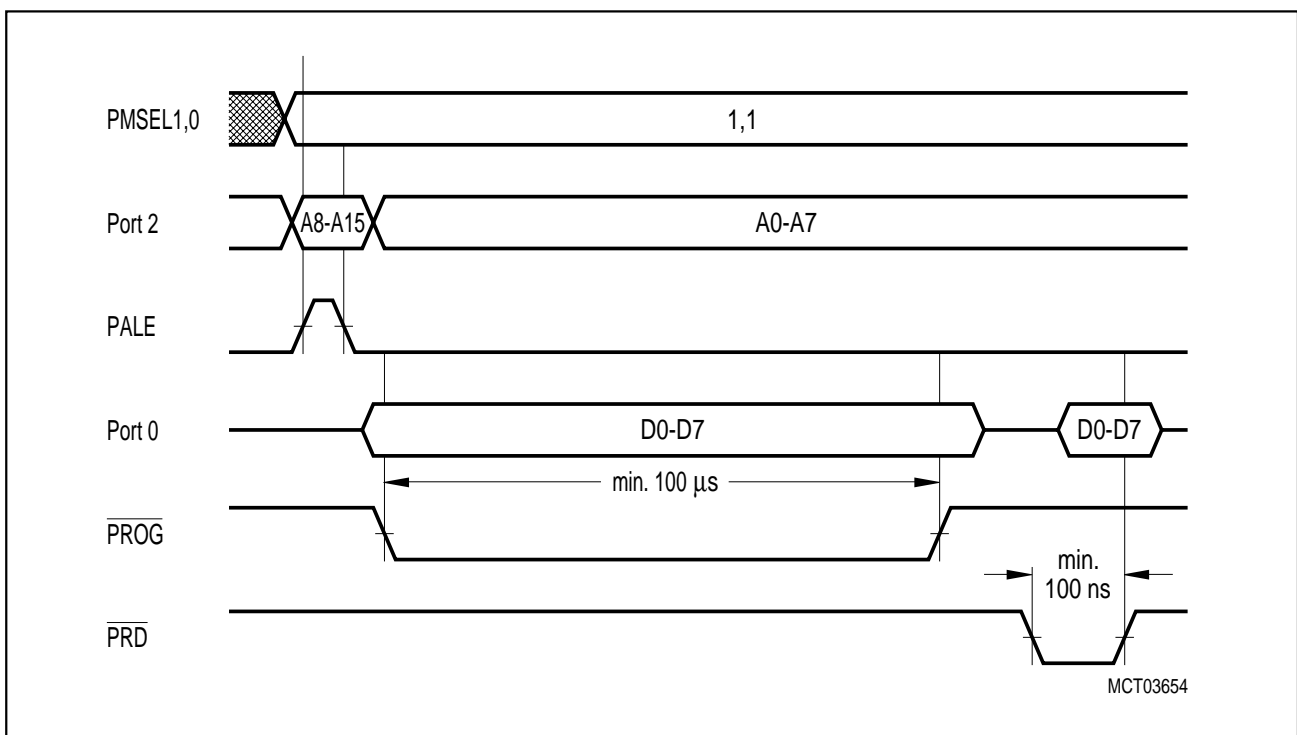


Figure 10-4
Programming / Verify OTP Memory Access Waveform

If the address lines A8-A15 must be updated, PALE must be activated for the latching of the new A8-A15 value. Control, address, and data information must only be switched when the $\overline{\text{PROG}}$ and $\overline{\text{PRD}}$ signals are at high level. The PALE high pulse must always be executed if a different access mode has been used prior to the actual access mode.

Figure 10-5 shows a waveform example of the program/read mode access for several OTP memory bytes. In this example OTP memory locations 3FD_H to 400_H are programmed. Thereafter, OTP memory locations 400_H and 3FD_H are read.

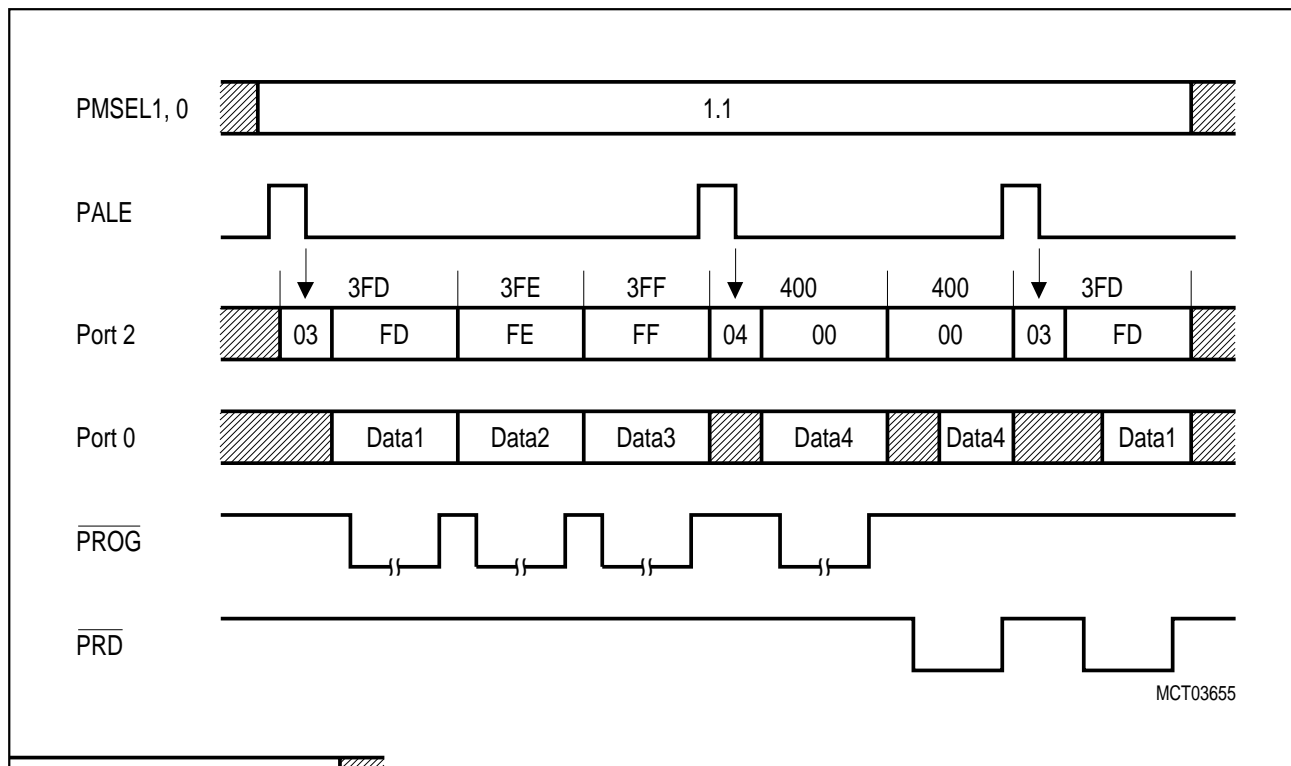


Figure 10-5
Typical OTP Memory Programming/Verify Access Waveform

10.6 Lock Bits Programming / Read

The C515C-8E has two programmable lock bits which, when programmed according **table 10-3**, provide four levels of protection for the on-chip OTP program memory.

**Table 10-3
Lock Bit Protection Types**

Lock Bits at D1,D0		Protection Level	Protection Type
D1	D0		
1	1	Level 0	The OTP lock feature is disabled. During normal operation of the C515C-8E, the state of the \overline{EA} pin is not latched on reset.
1	0	Level 1	During normal operation of the C515C-8E, MOVC instructions executed from external program memory are disabled from fetching code bytes from internal memory. \overline{EA} is sampled and latched on reset. An OTP memory read operation is only possible according to ROM verification mode 2, as it is defined for a protected ROM version of the C515C-8R. Further programming of the OTP memory is disabled (reprogramming security).
0	1	Level 2	Same as level 1, but also OTP memory read operation using ROM verification mode 2 is disabled.
0	0	Level 3	Same as level 2; but additionally external code execution by setting \overline{EA} =low during normal operation of the C515C-8E is no more possible. External code execution, which is initiated by an internal program (e.g. by an internal jump instruction above the ROM boundary), is still possible.

Note : A 1 means that the lock bit is unprogrammed. 0 means that lock bit is programmed.

For a OTP verify operation at protection level 1, the C515C-8E must be put into the ROM verification mode 2.

If a device is programmed with protection level 2 or 3, it is no more possible to verify the OTP content of a customer rejected (FAR) OTP device.

When a protection level has been activated by programming of the lock bits, the basic programming mode must be left for activation of the protection mechanisms. This means, after the activation of a protection level further OTP program/verify operations are still possible if the basic programming mode is maintained.

Figure 10-6 shows the waveform of a lock bit write/read access. For a simple drawing, the \overline{PROG} pulse is shortened. In reality, for Lock Bit programming, a 100µs \overline{PROG} low puls must be applied.

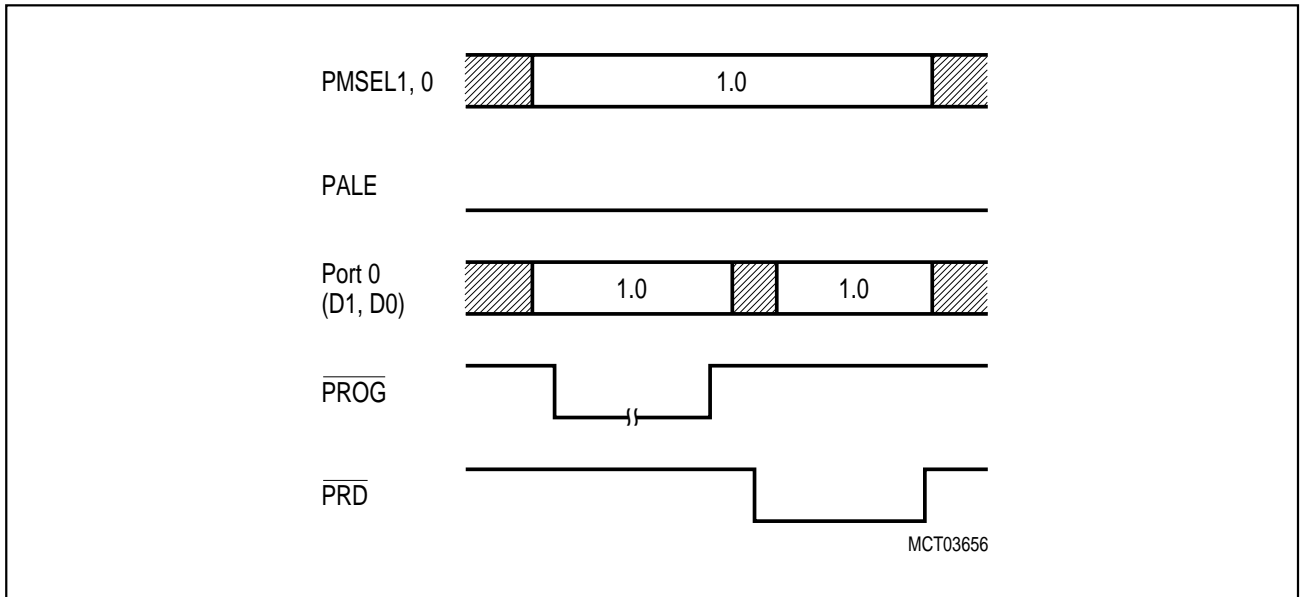


Figure 10-6
Write/Read Lock Bit Waveform

10.7 Access of Version Bytes

The C515C-8E and C515C-8R provide three version bytes at address locations FC_H, FD_H, and FE_H. The information stored in the version bytes, is defined by the mask of each microcontroller step. Therefore, the version bytes can be read but not written. The three version bytes hold information as manufacturer code, device type, and stepping code.

For reading of the version bytes the control lines must be used according **table 10-2** and **figure 10-7**. The address of the version byte must be applied at the port 1 address lines. PALE must not be activated.

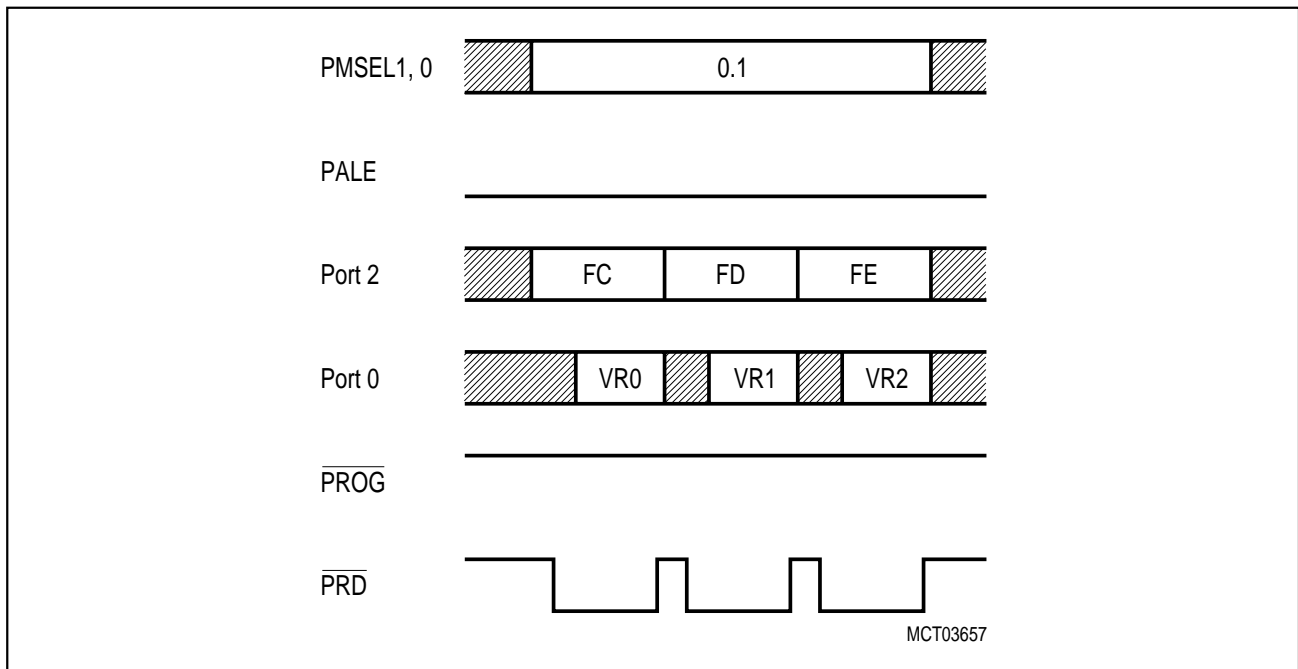


Figure 10-7
Read Version Byte(s) Waveform

Version bytes are typically used by programming systems for adapting the programming firmware to specific device characteristics such as OTP size etc.

Note: The 3 version bytes are implemented in a way that they can be also read during normal program execution mode as a mapped SFR when bit RMAP in SFR SYSCON is set. The SFR addresses of the version bytes in normal mode are identical to the addresses which are used in programming mode. Therefore, in normal operating mode of the C515C-8E, the SFR locations which hold the version bytes are also referenced as version registers.

The first step of the C515C-8E will contain the following information at the signature bytes :

Name	Address	Value
Version Byte 0 = Version Register 0 (VR0)	FC _H	C5 _H
Version Byte 1 = Version Register 1 (VR1)	FD _H	95 _H
Version Byte 2 = Version Register 2 (VR2)	FE _H	01 _H

Future stepping of the C515C-8E will typically have a different version byte 2 (incremented value).

11 Device Specifications

11.1 Absolute Maximum Ratings

Ambient temperature under bias (T_A)	- 40 °C to + 110 °C
Storage temperature (T_{ST})	- 65 °C to + 150 °C
Voltage on V_{CC} pins with respect to ground (V_{SS})	- 0.5 V to 6.5 V
Voltage on any pin with respect to ground (V_{SS})	- 0.5 V to $V_{CC} + 0.5$ V
Input current on any pin during overload condition	- 10 mA to + 10 mA
Absolute sum of all input currents during overload condition	100 mA
Power dissipation.....	TBD

Note: Stresses above those listed under “Absolute Maximum Ratings” may cause permanent damage of the device. This is a stress rating only and functional operation of the device at these or any other conditions above those indicated in the operational sections of this specification is not implied. Exposure to absolute maximum rating conditions for longer periods may affect device reliability. During overload conditions ($V_{IN} > V_{CC}$ or $V_{IN} < V_{SS}$) the Voltage on V_{CC} pins with respect to ground (V_{SS}) must not exceed the values defined by the absolute maximum ratings.

11.2 DC Characteristics

$V_{CC} = 5\text{ V} + 10\%, -15\%$; $V_{SS} = 0\text{ V}$

$T_A = 0\text{ to }70\text{ }^\circ\text{C}$

$T_A = -40\text{ to }85\text{ }^\circ\text{C}$

$T_A = -40\text{ to }110\text{ }^\circ\text{C}$

for the SAB-C515C

for the SAF-C515C

for the SAH-C515C

Parameter	Symbol	Limit Values		Unit	Test Condition
		min.	max.		
Input low voltages all except \overline{EA} , \overline{RESET} , \overline{HWPDP} \overline{EA} pin	V_{IL}	-0.5	$0.2 V_{CC} - 0.1$	V	-
	V_{IL1}	-0.5	$0.2 V_{CC} - 0.3$	V	-
\overline{RESET} and \overline{HWPDP} pins	V_{IL2}	-0.5	$0.2 V_{CC} + 0.1$	V	-
Port 5 in CMOS mode	V_{ILC}	-0.5	$0.3 V_{CC}$	V	-
Input high voltages all except XTAL2, \overline{RESET} , and \overline{HWPDP})	V_{IH}	$0.2 V_{CC} + 0.9$	$V_{CC} + 0.5$	V	-
XTAL2 pin	V_{IH1}	$0.7 V_{CC}$	$V_{CC} + 0.5$	V	-
\overline{RESET} and \overline{HWPDP} pins	V_{IH2}	$0.6 V_{CC}$	$V_{CC} + 0.5$	V	-
Port 5 in CMOS mode	V_{IHC}	$0.7 V_{CC}$	$V_{CC} + 0.5$	V	-
Output low voltages Ports 1, 2, 3, 4, 5, 7 (incl. CMOS) Port 0, \overline{ALE} , \overline{PSEN} , \overline{CPUR} P4.1, P4.3 in push-pull mode	V_{OL}	-	0.45	V	$I_{OL} = 1.6\text{ mA}^1$
	V_{OL1}	-	0.45	V	$I_{OL} = 3.2\text{ mA}^1$
	V_{OL3}	-	0.45	V	$I_{OL} = 3.75\text{ mA}^1$
Output high voltages Ports 1, 2, 3, 4, 5, 7	V_{OH}	2.4 $0.9 V_{CC}$	-	V V	$I_{OH} = -80\text{ }\mu\text{A}$ $I_{OH} = -10\text{ }\mu\text{A}$
Port 0 in external bus mode, \overline{ALE} , \overline{PSEN} , \overline{CPUR}	V_{OH2}	2.4 $0.9 V_{CC}$	-	V V	$I_{OH} = -800\text{ }\mu\text{A}$ $I_{OH} = -80\text{ }\mu\text{A}^2$
Port 5 in CMOS mode	V_{OHC}	$0.9 V_{CC}$	-	V	$I_{OH} = -800\text{ }\mu\text{A}$
P4.1, P4.3 in push-pull mode	V_{OH3}	$0.9 V_{CC}$	-	V	$I_{OH} = -833\text{ }\mu\text{A}$
Logic 0 input current Ports 1, 2, 3, 4, 5, 7	I_{IL}	-10	-70	μA	$V_{IN} = 0.45\text{ V}$
Logical 0-to-1 transition current Ports 1, 2, 3, 4, 5, 7	I_{TL}	-65	-650	μA	$V_{IN} = 2\text{ V}$
Input leakage current Port 0, \overline{EA} , P6, \overline{HWPDP} , AIN0-7	I_{LI}	-	± 1	μA	$0.45 < V_{IN} < V_{CC}$
Input low current To \overline{RESET} for reset	I_{LI2}	-	-100	μA	$V_{IN} = 0.45\text{ V}$
XTAL2	I_{LI3}	-	-15	μA	$V_{IN} = 0.45\text{ V}$
$\overline{PE}/\overline{SWD}$	I_{LI4}	-	-20	μA	$V_{IN} = 0.45\text{ V}$
Pin capacitance	C_{IO}	-	10	pF	$f_c = 1\text{ MHz}$, $T_A = 25\text{ }^\circ\text{C}$
Overload current	I_{OV}	-	± 5	mA	⁸⁾ ⁹⁾
Programming voltage	V_{PP}	10.9	12.1	V	$11.5\text{ V} \pm 5\%$

Power Supply Current

Parameter			Symbol	Limit Values		Unit	Test Condition
				typ. ¹⁰⁾	max. ¹¹⁾		
Active mode	C515C-8R	6 MHz	I_{CC}	12.0	16.1	mA	4)
		10 MHz	I_{CC}	18.9	25.5	mA	
	C515C-8E	6 MHz	I_{CC}	TBD	TBD	mA	
		10 MHz	I_{CC}	TBD	TBD	mA	
Idle mode	C515C-8R	6 MHz	I_{CC}	6.9	9.8	mA	5)
		10 MHz	I_{CC}	10.5	15	mA	
	C515C-8E	6 MHz	I_{CC}	TBD	TBD	mA	
		10 MHz	I_{CC}	TBD	TBD	mA	
Active mode with slow-down enabled	C515C-8R	6 MHz	I_{CC}	TBD	TBD	mA	6)
		10 MHz	I_{CC}	TBD	TBD	mA	
	C515C-8E	6 MHz	I_{CC}	TBD	TBD	mA	
		10 MHz	I_{CC}	TBD	TBD	mA	
Idle mode with slow-down enabled	C515C-8R	6 MHz	I_{CC}	TBD	TBD	mA	7)
		10 MHz	I_{CC}	TBD	TBD	mA	
	C515C-8E	6 MHz	I_{CC}	TBD	TBD	mA	
		10 MHz	I_{CC}	TBD	TBD	mA	
Power-down mode	C515C-8R		I_{PD}	TBD	50	μA	$V_{CC} = 2 \dots 5.5 V^{3)}$
	C515C-8E		I_{PD}	TBD	TBD	μA	
At \overline{EA}/V_{PP} in programming mode	C515C-8E		I_{CCP}	–	30	mA	

Notes :

- Capacitive loading on ports 0 and 2 may cause spurious noise pulses to be superimposed on the V_{OL} of ALE and port 3. The noise is due to external bus capacitance discharging into the port 0 and port 2 pins when these pins make 1-to-0 transitions during bus operation. In the worst case (capacitive loading > 100 pF), the noise pulse on ALE line may exceed 0.8 V. In such cases it may be desirable to qualify ALE with a schmitt-trigger, or use an address latch with a schmitt-trigger strobe input.
- Capacitive loading on ports 0 and 2 may cause the V_{OH} on ALE and \overline{PSEN} to momentarily fall below the 0.9 V_{CC} specification when the address lines are stabilizing.
- I_{PD} (power-down mode) is measured under following conditions:
 $\overline{EA} = \overline{RESET} = \text{Port 0} = \text{Port 6} = V_{CC}$; $XTAL1 = N.C.$; $XTAL2 = V_{SS}$; $\overline{PE}/SWD = V_{SS}$; $\overline{HWPD} = V_{CC}$;
 $V_{AGND} = V_{SS}$; $V_{AREF} = V_{CC}$; all other pins are disconnected.
 I_{PD} (hardware power-down mode) is independent of any particular pin connection.
- I_{CC} (active mode) is measured with:
 $XTAL2$ driven with t_{CLCH} , $t_{CHCL} = 5 \text{ ns}$, $V_{IL} = V_{SS} + 0.5 \text{ V}$, $V_{IH} = V_{CC} - 0.5 \text{ V}$; $XTAL1 = N.C.$;
 $\overline{EA} = \overline{PE}/SWD = \text{Port 0} = \text{Port 6} = V_{CC}$; $\overline{HWPD} = V_{CC}$; $\overline{RESET} = V_{SS}$; all other pins are disconnected.
- I_{CC} (idle mode) is measured with all output pins disconnected and with all peripherals disabled;
 $XTAL2$ driven with t_{CLCH} , $t_{CHCL} = 5 \text{ ns}$, $V_{IL} = V_{SS} + 0.5 \text{ V}$, $V_{IH} = V_{CC} - 0.5 \text{ V}$; $XTAL1 = N.C.$;
 $\overline{RESET} = V_{CC}$; $\overline{EA} = V_{SS}$; $\text{Port0} = V_{CC}$; all other pins are disconnected;

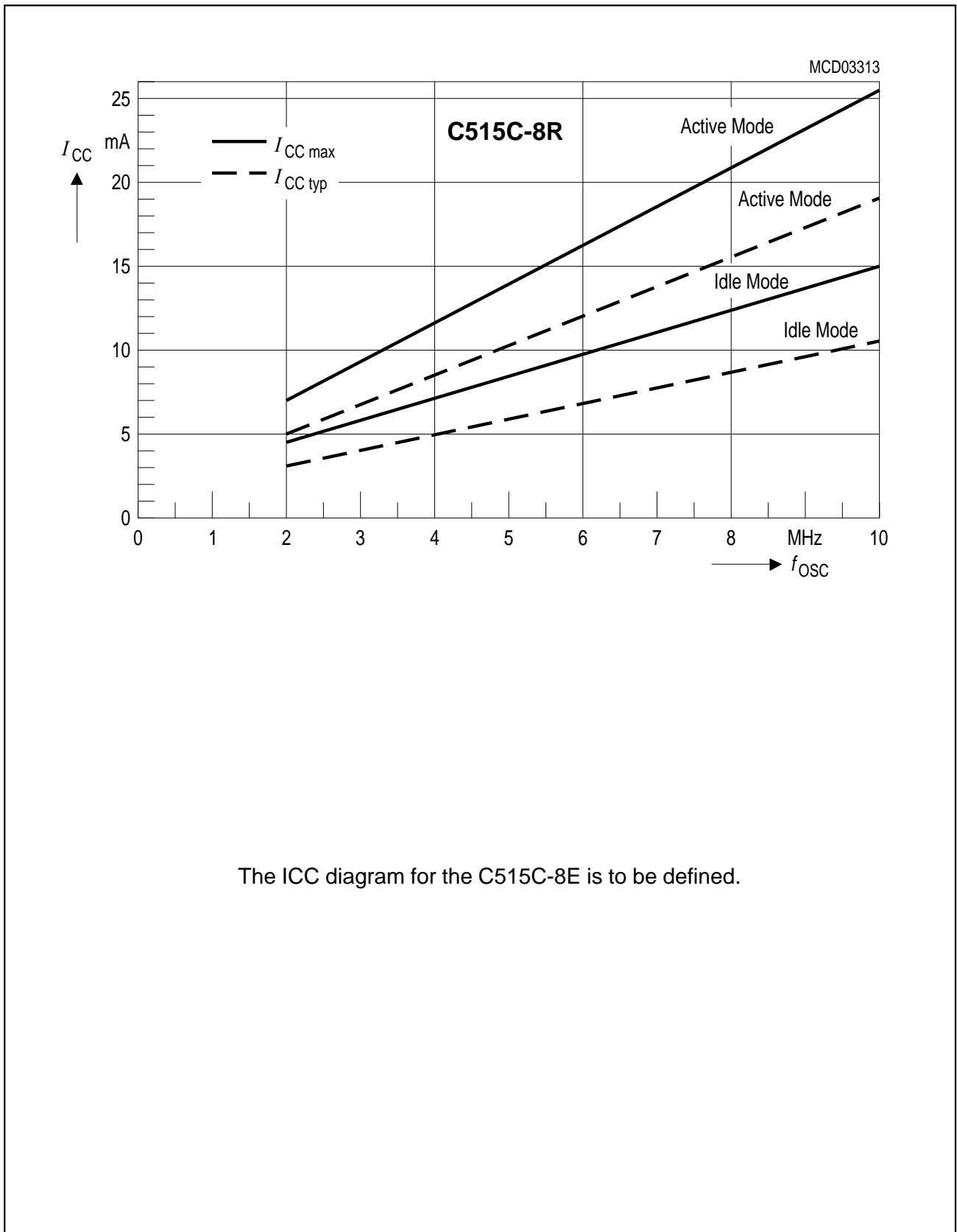
Notes (cont'd) :

- 6) I_{CC} (active mode with slow-down mode) is measured with: TBD
- 7) I_{CC} (idle mode with slow-down mode) is measured with: TBD
- 8) Overload conditions occur if the standard operating conditions are exceeded, i.e. the voltage on any pin exceeds the specified range (i.e. $V_{OV} > V_{CC} + 0.5\text{ V}$ or $V_{OV} < V_{SS} - 0.5\text{ V}$). The supply voltage V_{CC} and V_{SS} must remain within the specified limits. The absolute sum of input currents on all port pins may not exceed 50 mA.
- 9) Not 100% tested, guaranteed by design characterization
- 10) The typical I_{CC} values are periodically measured at $T_A = +25\text{ °C}$ and $V_{CC} = 5\text{ V}$ but not 100% tested.
- 11) The maximum I_{CC} values are measured under worst case conditions ($T_A = 0\text{ °C}$ or -40 °C and $V_{CC} = 5.5\text{ V}$)

Power Supply Current Calculation Formulas

Parameter		Symbol	Formula
Active mode	C515C-8R	$I_{CC\text{ typ}}$ $I_{CC\text{ max}}$	$1.72 * f_{OSC} + 1.72$ $2.33 * f_{OSC} + 2.15$
	C515C-8E	$I_{CC\text{ typ}}$ $I_{CC\text{ max}}$	TBD TBD
Idle mode	C515C-8R	$I_{CC\text{ typ}}$ $I_{CC\text{ max}}$	$0.9 * f_{OSC} + 1.5$ $1.3 * f_{OSC} + 2.0$
	C515C-8E	$I_{CC\text{ typ}}$ $I_{CC\text{ max}}$	TBD TBD
Active mode with slow-down enabled	C515C-8R	$I_{CC\text{ typ}}$ $I_{CC\text{ max}}$	TBD TBD
	C515C-8E	$I_{CC\text{ typ}}$ $I_{CC\text{ max}}$	TBD TBD
Idle mode with slow-down enabled	C515C-8R	$I_{CC\text{ typ}}$ $I_{CC\text{ max}}$	TBD TBD
	C515C-8E	$I_{CC\text{ typ}}$ $I_{CC\text{ max}}$	TBD TBD

Note: f_{osc} is the oscillator frequency in MHz. I_{CC} values are given in mA.



The ICC diagram for the C515C-8E is to be defined.

ICC Diagrams

11.3 A/D Converter Characteristics

$$V_{CC} = 5\text{ V} + 10\%, -15\%; V_{SS} = 0\text{ V}$$

$$T_A = 0\text{ to }70\text{ }^\circ\text{C}$$

for the SAB-C515C

$$T_A = -40\text{ to }85\text{ }^\circ\text{C}$$

for the SAF-C515C

$$T_A = -40\text{ to }110\text{ }^\circ\text{C}$$

for the SAH-C515C

$$4\text{ V} \leq V_{AREF} \leq V_{CC} + 0.1\text{ V}; V_{SS} - 0.1\text{ V} \leq V_{AGND} \leq V_{SS} + 0.2\text{ V}$$

Parameter	Symbol	Limit Values		Unit	Test Condition
		min.	max.		
Analog input voltage	V_{AIN}	V_{AGND}	V_{AREF}	V	1)
Sample time	t_S	—	$16 \times t_{IN}$ $8 \times t_{IN}$	ns	Prescaler $\div 8$ Prescaler $\div 4$ 2)
Conversion cycle time	t_{ADCC}	—	$96 \times t_{IN}$ $48 \times t_{IN}$	ns	Prescaler $\div 8$ Prescaler $\div 4$ 3)
Total unadjusted error	T_{UE}	—	± 2	LSB	$V_{SS} + 0.5\text{V} \leq V_{IN} \leq V_{CC} - 0.5\text{V}$ 4)
Internal resistance of reference voltage source	R_{AREF}	—	$t_{ADC} / 250$ - 0.25	k Ω	t_{ADC} in [ns] 5) 6)
Internal resistance of analog source	R_{ASRC}	—	$t_S / 500$ - 0.25	k Ω	t_S in [ns] 2) 6)
ADC input capacitance	C_{AIN}	—	50	pF	6)

Notes see next page.

Clock calculation table:

Clock Prescaler Ratio	ADCL	t_{ADC}	t_S	t_{ADCC}
$\div 8$	1	$8 \times t_{IN}$	$16 \times t_{IN}$	$96 \times t_{IN}$
$\div 4$	0	$4 \times t_{IN}$	$8 \times t_{IN}$	$48 \times t_{IN}$

Further timing conditions : $t_{ADC} \text{ min} = 500\text{ ns}$
 $t_{IN} = 1 / f_{OSC} = t_{CLP}$

Notes:

- 1) V_{AIN} may exceed V_{AGND} or V_{AREF} up to the absolute maximum ratings. However, the conversion result in these cases will be $X000_H$ or $X3FF_H$, respectively.
- 2) During the sample time the input capacitance C_{AIN} can be charged/discharged by the external source. The internal resistance of the analog source must allow the capacitance to reach their final voltage level within t_S . After the end of the sample time t_S , changes of the analog input voltage have no effect on the conversion result.
- 3) This parameter includes the sample time t_S , the time for determining the digital result and the time for the calibration. Values for the conversion clock t_{ADC} depend on programming and can be taken from the table on the previous page.
- 4) T_{UE} is tested at $V_{AREF} = 5.0\text{ V}$, $V_{AGND} = 0\text{ V}$, $V_{CC} = 4.9\text{ V}$. It is guaranteed by design characterization for all other voltages within the defined voltage range.
If an overload condition occurs on maximum 2 not selected analog input pins and the absolute sum of input overload currents on all analog input pins does not exceed 10 mA, an additional conversion error of 1/2 LSB is permissible.
- 5) During the conversion the ADC's capacitance must be repeatedly charged or discharged. The internal resistance of the reference source must allow the capacitance to reach their final voltage level within the indicated time. The maximum internal resistance results from the programmed conversion timing.
- 6) Not 100% tested, but guaranteed by design characterization.

11.4 AC Characteristics for C515C

$V_{CC} = 5\text{ V} + 10\%, -15\%$; $V_{SS} = 0\text{ V}$

$T_A = 0\text{ to }70\text{ }^\circ\text{C}$

for the SAB-C515C

$T_A = -40\text{ to }85\text{ }^\circ\text{C}$

for the SAF-C515C

$T_A = -40\text{ to }110\text{ }^\circ\text{C}$

for the SAH-C515C

(C_L for port 0, ALE and $\overline{\text{PSEN}}$ outputs = 100 pF; C_L for all other outputs = 80 pF)

Program Memory Characteristics

Parameter	Symbol	Limit Values				Unit
		10-MHz clock Duty Cycle 0.4 to 0.6		Variable Clock 1/CLP = 2 MHz to 10 MHz		
		min.	max.	min.	max.	
ALE pulse width	t_{LHLL}	60	–	CLP - 40	–	ns
Address setup to ALE	t_{AVLL}	15	–	$TCL_{Hmin} - 25$	–	ns
Address hold after ALE	t_{LLAX}	15	–	$TCL_{Hmin} - 25$	–	ns
ALE to valid instruction in	t_{LLIV}	–	113	–	2 CLP - 87	ns
ALE to $\overline{\text{PSEN}}$	t_{LLPL}	20	–	$TCL_{Lmin} - 20$	–	ns
$\overline{\text{PSEN}}$ pulse width	t_{PLPH}	115	–	CLP+ $TCL_{Hmin} - 30$	–	ns
$\overline{\text{PSEN}}$ to valid instruction in	t_{PLIV}	–	75	–	CLP+ $TCL_{Hmin} - 65$	ns
Input instruction hold after $\overline{\text{PSEN}}$	t_{PXIX}	0	–	0	–	ns
Input instruction float after $\overline{\text{PSEN}}$	$t_{PXIZ}^*)$	–	30	–	$TCL_{Lmin} - 10$	ns
Address valid after $\overline{\text{PSEN}}$	$t_{PXAV}^*)$	35	–	$TCL_{Lmin} - 5$	–	ns
Address to valid instruction in	t_{AVIV}	–	180	–	2 CLP + $TCL_{Hmin} - 60$	ns
Address float to $\overline{\text{PSEN}}$	t_{AZPL}	0	–	0	–	ns

^{*)} Interfacing the C515C to devices with float times up to 35 ns is permissible. This limited bus contention will not cause any damage to port 0 drivers.

AC Characteristics for C515C (cont'd)

External Data Memory Characteristics

Parameter	Symbol	Limit Values				Unit
		10-MHz clock Duty Cycle 0.4 to 0.6		Variable Clock 1/CLP= 2 MHz to 10 MHz		
		min.	max.	min.	max.	
\overline{RD} pulse width	t_{RLRH}	230	–	3 CLP - 70	–	ns
\overline{WR} pulse width	t_{WLWH}	230	–	3 CLP - 70	–	ns
Address hold after ALE	t_{LLAX2}	48	–	CLP - 15	–	ns
\overline{RD} to valid data in	t_{RLDV}	–	150	–	2 CLP+ TCL _{Hmin} - 90	ns
Data hold after \overline{RD}	t_{RHDX}	0		0	–	ns
Data float after \overline{RD}	t_{RHDZ}	–	80	–	CLP - 20	ns
ALE to valid data in	t_{LLDV}	–	267	–	4 CLP - 133	ns
Address to valid data in	t_{AVDV}	–	285	–	4 CLP + TCL _{Hmin} -155	ns
ALE to \overline{WR} or \overline{RD}	t_{LLWL}	90	190	CLP + TCL _{Lmin} - 50	CLP+ TCL _{Lmin} + 50	ns
Address valid to \overline{WR}	t_{AVWL}	103	–	2 CLP - 97	–	ns
\overline{WR} or \overline{RD} high to ALE high	t_{WHLH}	15	65	TCL _{Hmin} - 25	TCL _{Hmin} + 25	ns
Data valid to \overline{WR} transition	t_{QVWX}	5	–	TCL _{Lmin} - 35	–	ns
Data setup before \overline{WR}	t_{QVWH}	218	–	3 CLP + TCL _{Lmin} - 122	–	ns
Data hold after \overline{WR}	t_{WHQX}	13	–	TCL _{Hmin} - 27	–	ns
Address float after \overline{RD}	t_{RLAZ}	–	0	–	0	ns

AC Characteristics for C515C (cont'd)

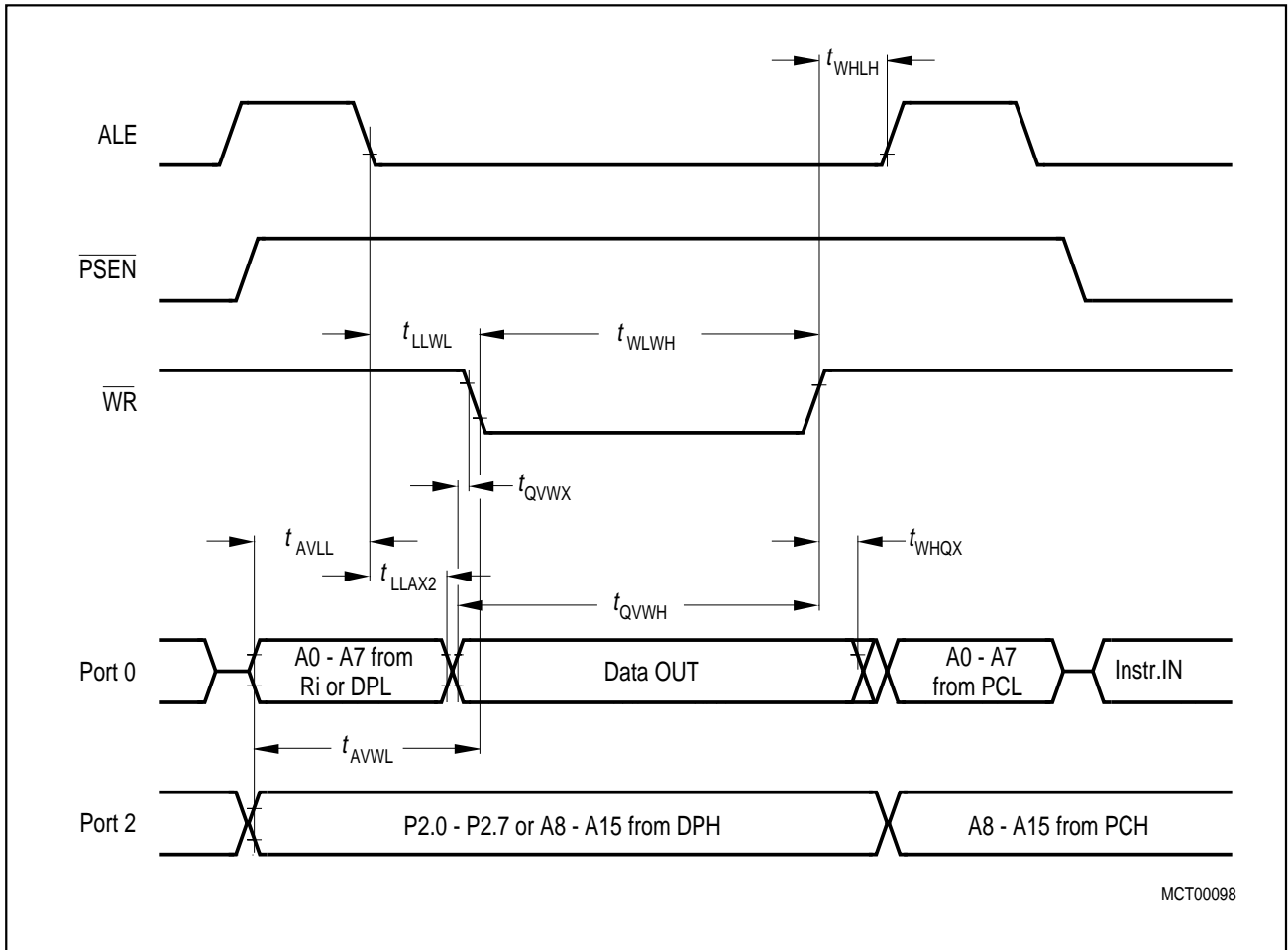
SSC Interface Characteristics

Parameter	Symbol	Limit Values		Unit
		min.	max.	
Clock Cycle Time : Master Mode Slave Mode	t_{SCLK}	0.4	–	μ s
	t_{SCLK}	1.0	–	μ s
Clock high time	t_{SCH}	360	–	ns
Clock low time	t_{SCL}	360	–	ns
Data output delay	t_D	–	100	ns
Data output hold	t_{HO}	0	–	ns
Data input setup	t_S	100	–	ns
Data input hold	t_{HI}	50	–	ns
TC bit set delay	t_{DTC}	–	8 CLP	ns

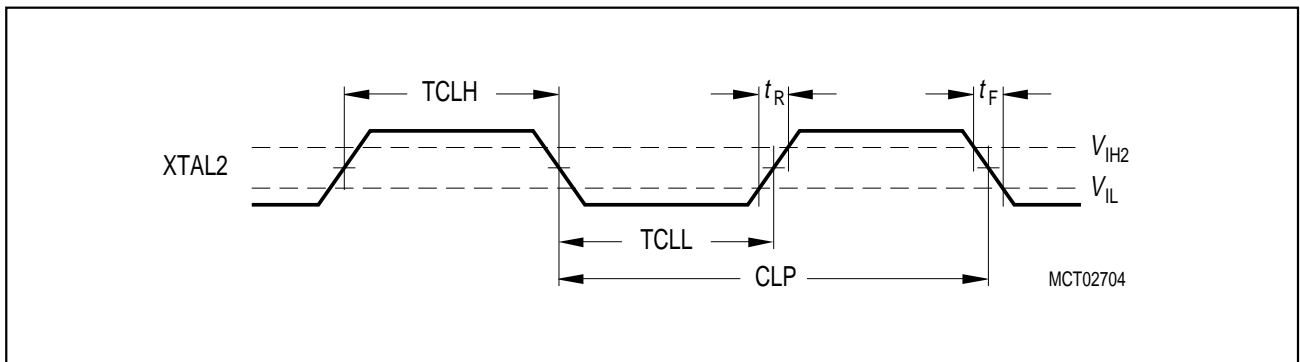
External Clock Drive at XTAL2

Parameter	Symbol	CPU Clock = 10 MHz Duty cycle 0.4 to 0.6		Variable CPU Clock 1/CLP = 2 to 10 MHz		Unit
		min.	max.	min.	max.	
Oscillator period	CLP	100	100	100	500	ns
High time	TCL_H	40	–	40	$CLP - TCL_L$	ns
Low time	TCL_L	40	–	40	$CLP - TCL_H$	ns
Rise time	t_R	–	12	–	12	ns
Fall time	t_F	–	12	–	12	ns
Oscillator duty cycle	DC	0.4	0.6	$40 / CLP$	$1 - 40 / CLP$	–
Clock cycle	TCL	40	60	$CLP * DC_{min}$	$CLP * DC_{max}$	ns

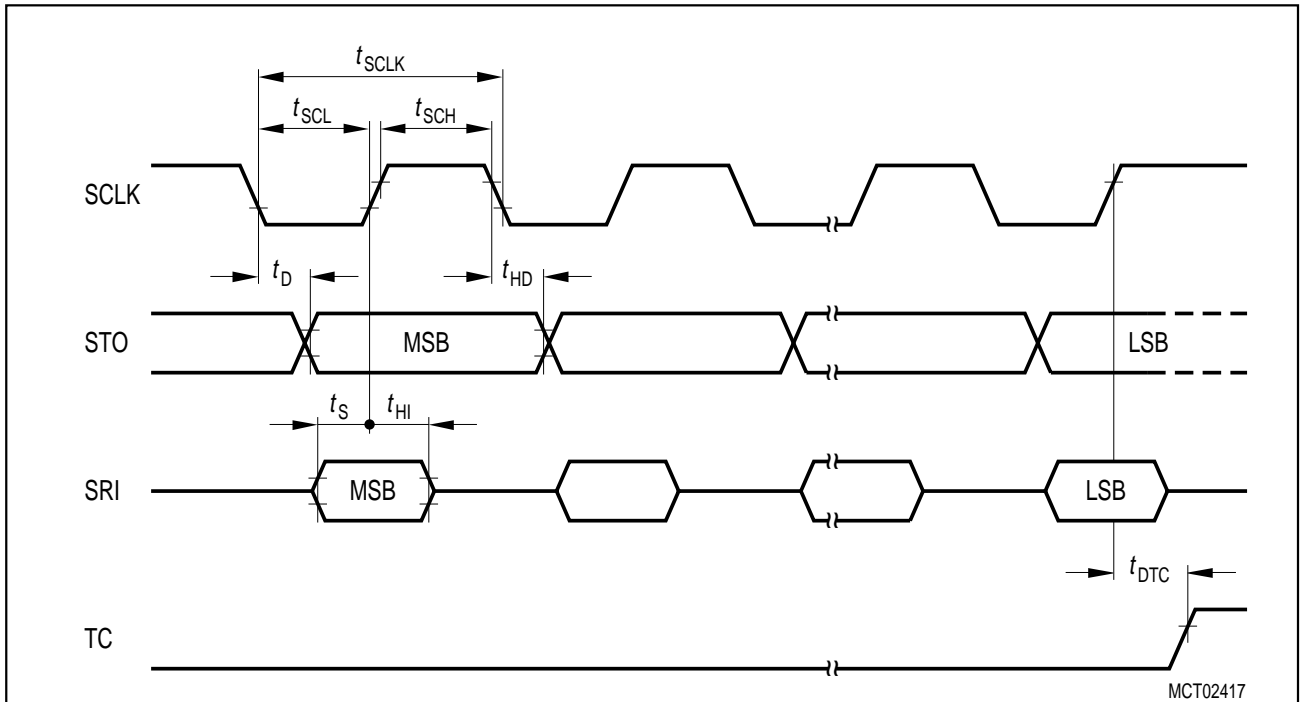
Note: The 10 MHz values in the tables are given as an example for a typical duty cycle variation of the oscillator clock from 0.4 to 0.6.



Data Memory Write Cycle



External Clock Cycle



MCT02417

Notes: Shown is the data/clock relationship for CPOL=CPHA=1. The timing diagram is valid for the other cases accordingly.

In the case of slave mode and CPHA=0, the output delay for the MSB applies to the falling edge of \overline{SLS} (if transmitter is enabled).

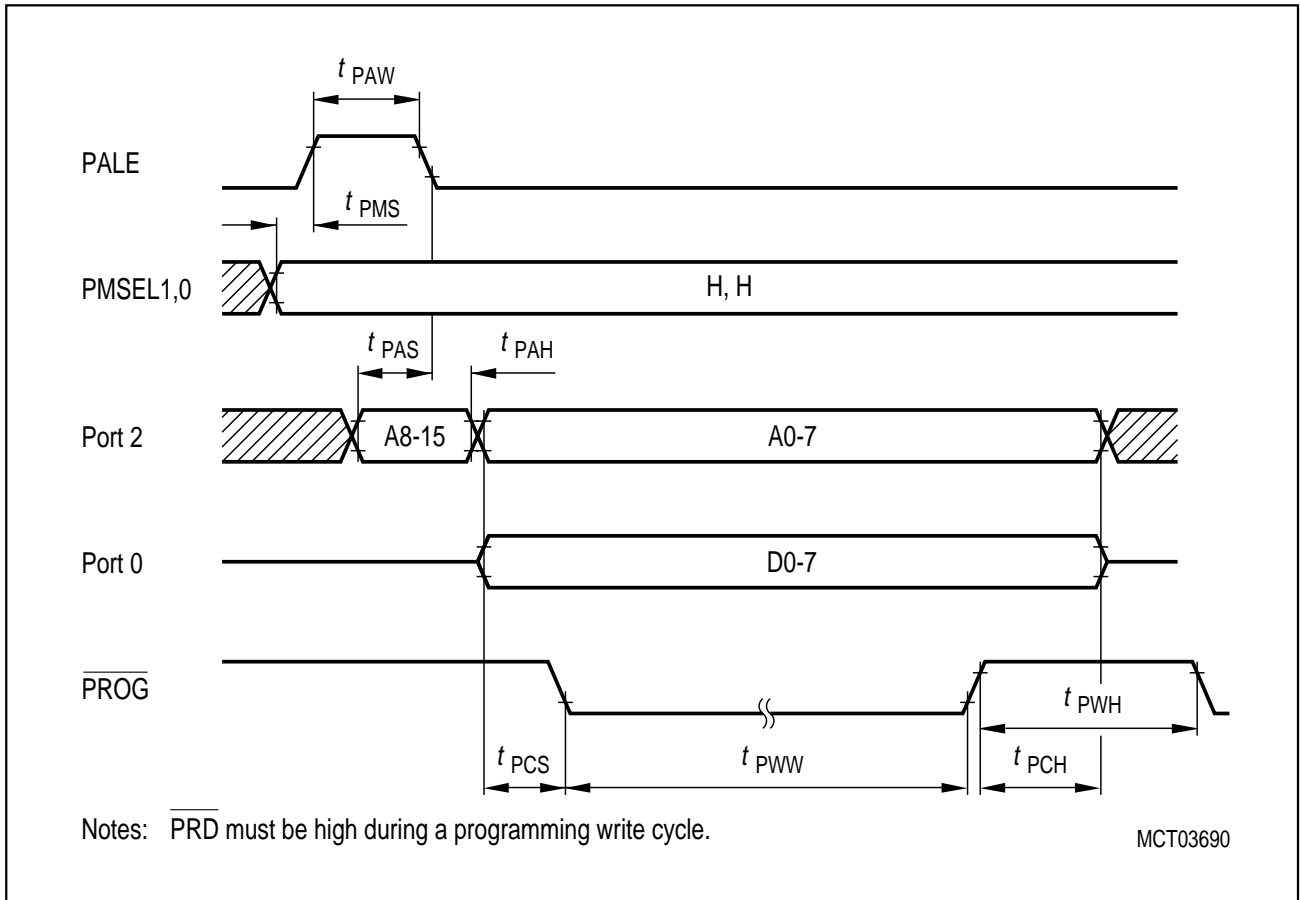
In the case of master mode and CPHA=0, the MSB becomes valid after the data has been written into the shift register, i.e. at least one half SCLK clock cycle before the first clock transition.

SSC Timing

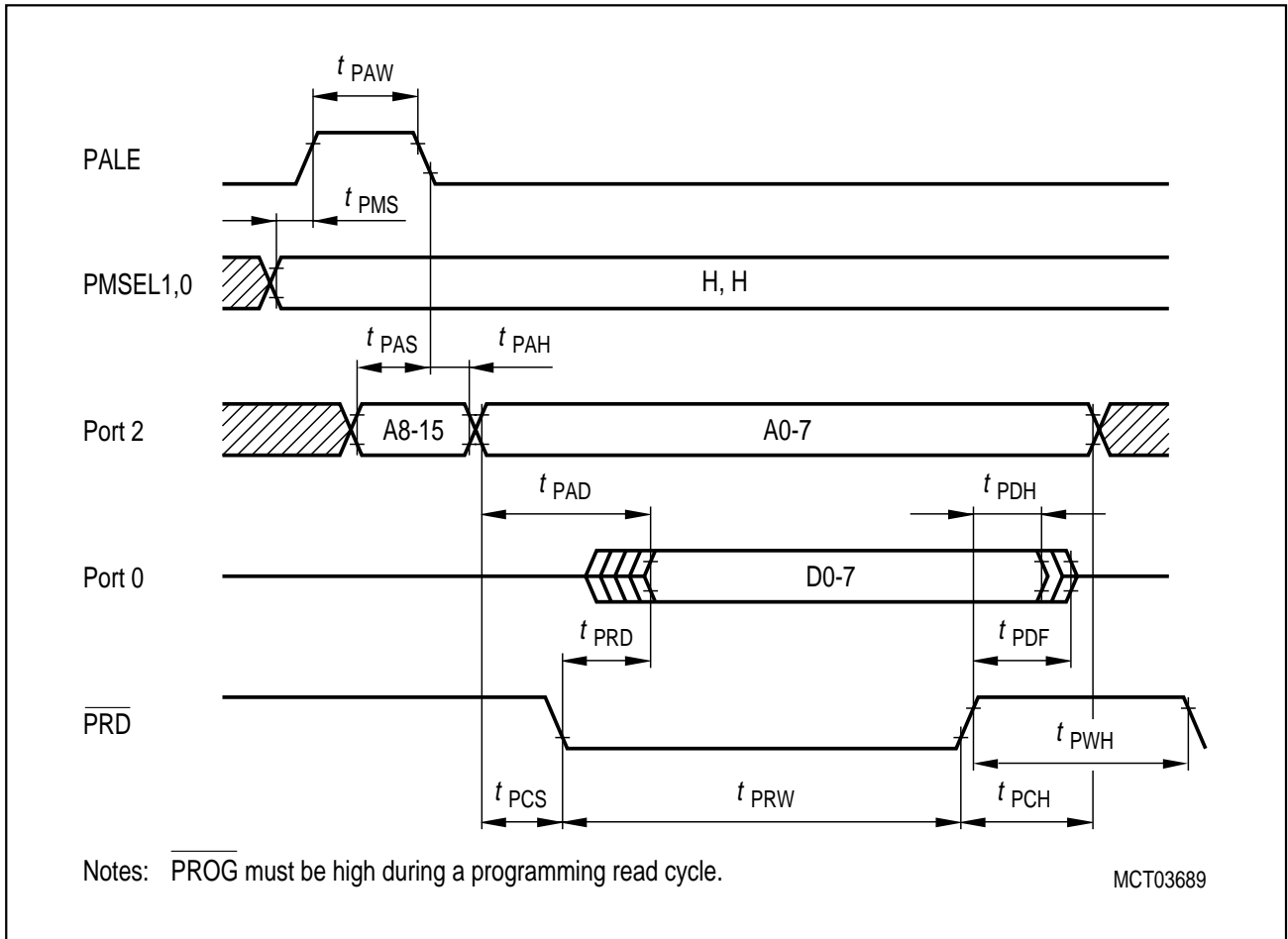
11.5 OTP Memory Programming Mode Characteristics

$V_{CC} = 5\text{ V} \pm 10\%$; $V_{PP} = 11.5\text{ V} \pm 5\%$; $T_A = 25\text{ }^\circ\text{C} \pm 10\text{ }^\circ\text{C}$

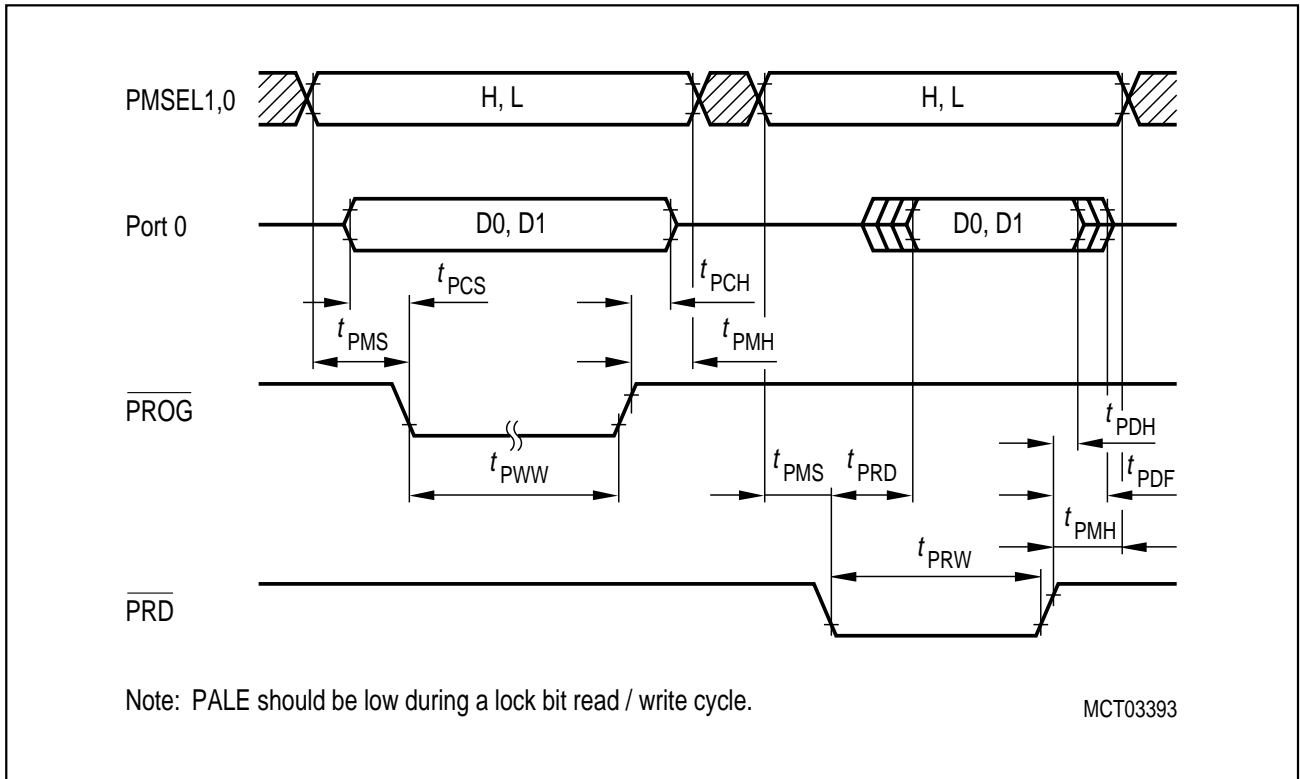
Parameter	Symbol	Limit Values		Unit
		min.	max.	
ALE pulse width	t_{PAW}	35	–	ns
PMSEL setup to ALE rising edge	t_{PMS}	10	–	
Address setup to ALE, $\overline{\text{PROG}}$, or $\overline{\text{PRD}}$ falling edge	t_{PAS}	10	–	ns
Address hold after ALE, $\overline{\text{PROG}}$, or $\overline{\text{PRD}}$ falling edge	t_{PAH}	10	–	ns
Address, data setup to $\overline{\text{PROG}}$ or $\overline{\text{PRD}}$	t_{PCS}	100	–	ns
Address, data hold after $\overline{\text{PROG}}$ or $\overline{\text{PRD}}$	t_{PCH}	0	–	ns
PMSEL setup to $\overline{\text{PROG}}$ or $\overline{\text{PRD}}$	t_{PMS}	10	–	ns
PMSEL hold after $\overline{\text{PROG}}$ or $\overline{\text{PRD}}$	t_{PMH}	10	–	ns
$\overline{\text{PROG}}$ pulse width	t_{PWW}	100	–	μs
$\overline{\text{PRD}}$ pulse width	t_{PRW}	100	–	ns
Address to valid data out	t_{PAD}	–	75	ns
$\overline{\text{PRD}}$ to valid data out	t_{PRD}	–	20	ns
Data hold after $\overline{\text{PRD}}$	t_{PDH}	0	–	ns
Data float after $\overline{\text{PRD}}$	t_{PDF}	–	20	ns
$\overline{\text{PROG}}$ high between two consecutive $\overline{\text{PROG}}$ low pulses	t_{PWH1}	1	–	μs
$\overline{\text{PRD}}$ high between two consecutive $\overline{\text{PRD}}$ low pulses	t_{PWH2}	100		ns
XTAL clock period	t_{CLKP}	100		ns



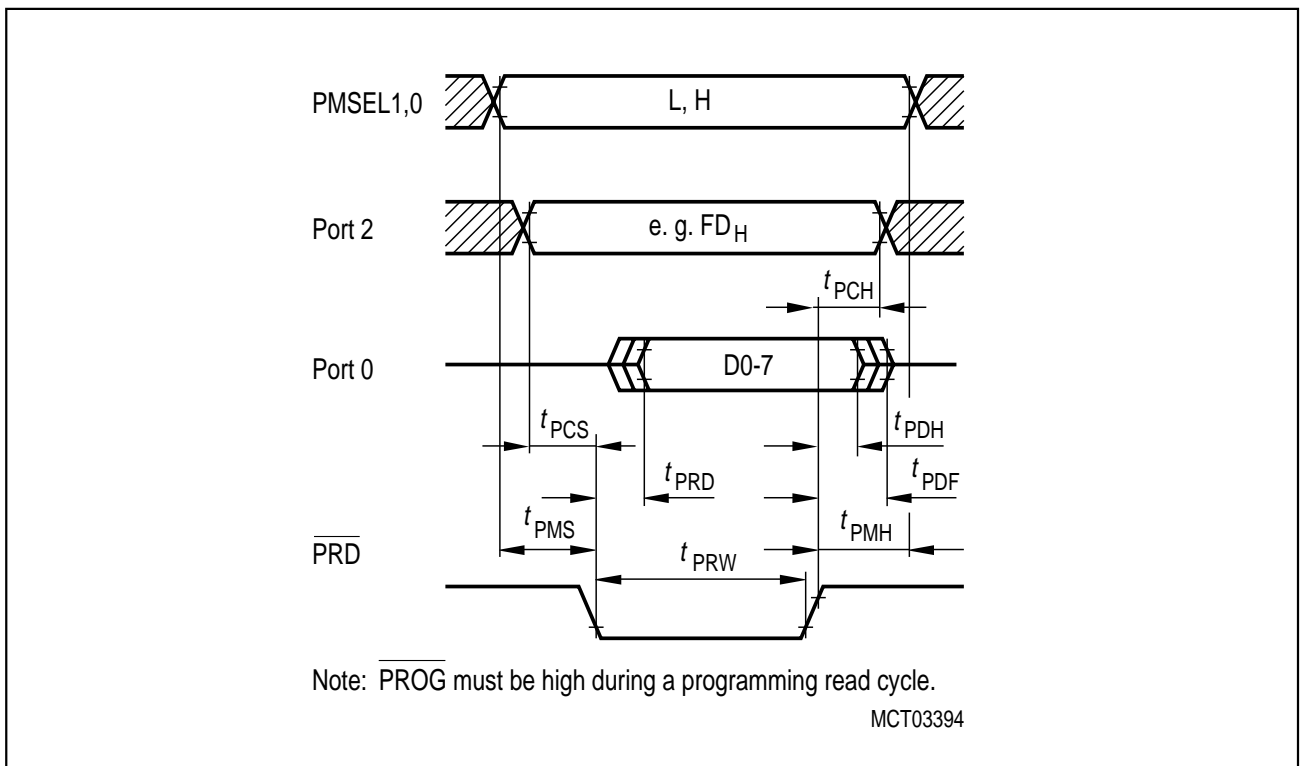
Programming Code Byte - Write Cycle Timing



Verify Code Byte - Read Cycle Timing



Lock Bit Access Timing

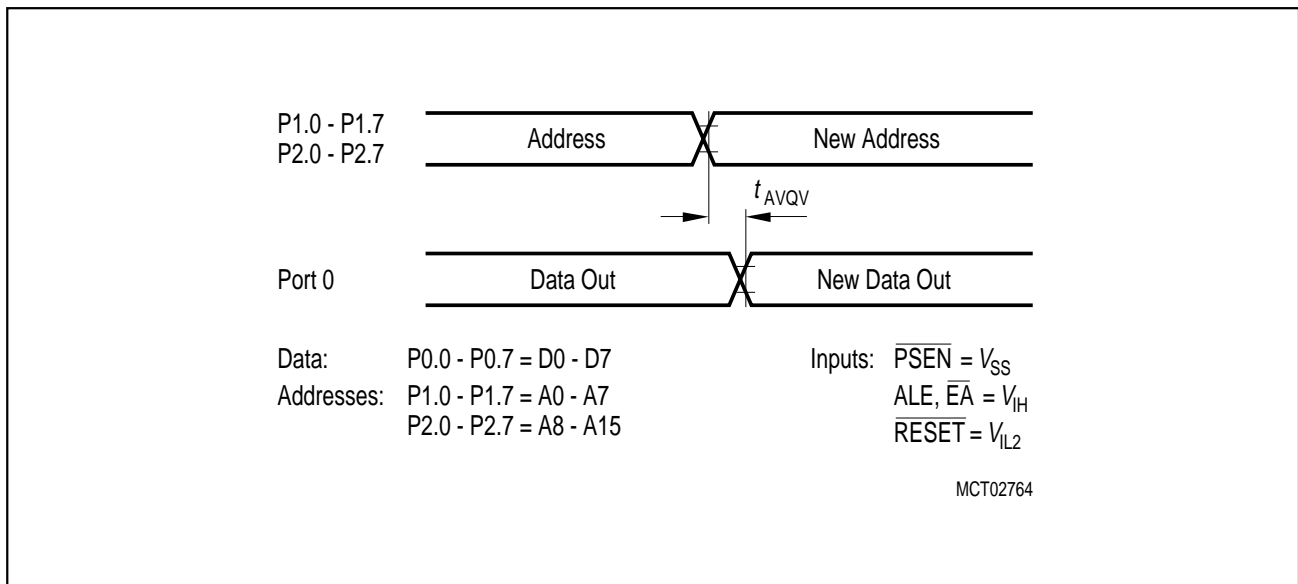


Version Byte - Read Timing

11.6 ROM/OTP Verification Characteristics for C515C-8R / C515C-8E

ROM Verification Mode 1 (C515C-8R only)

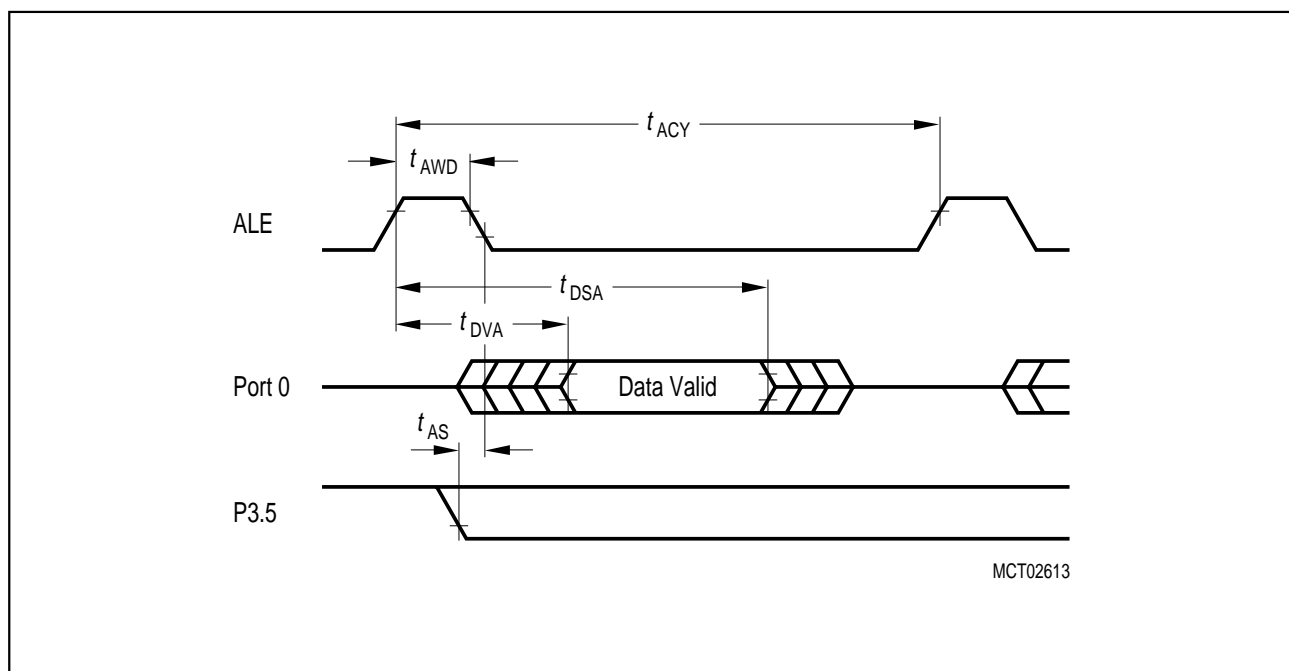
Parameter	Symbol	Limit Values		Unit
		min.	max.	
Address to valid data	t_{AVQV}	—	5 CLP	ns



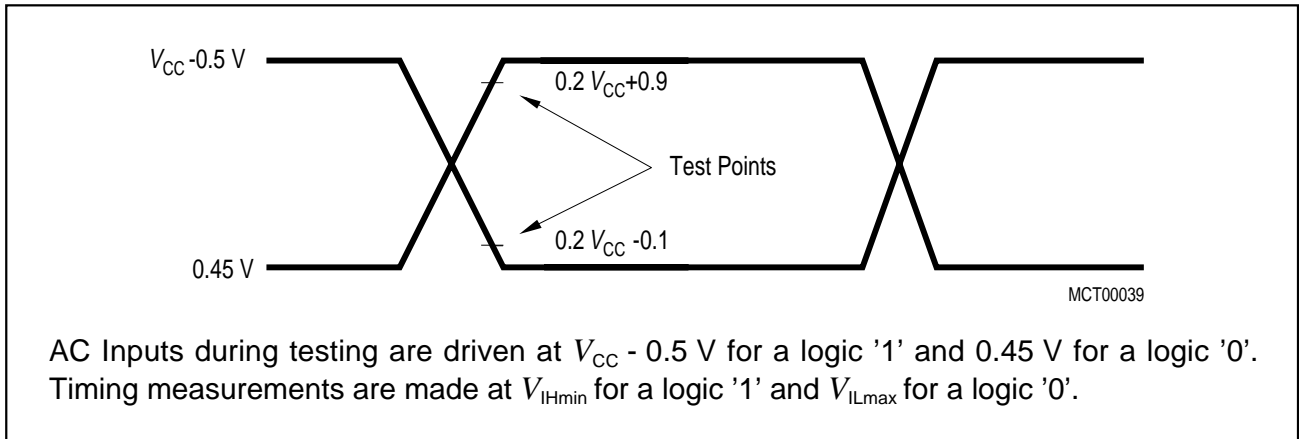
ROM Verification Mode 1

ROM/OTP Verification Mode 2

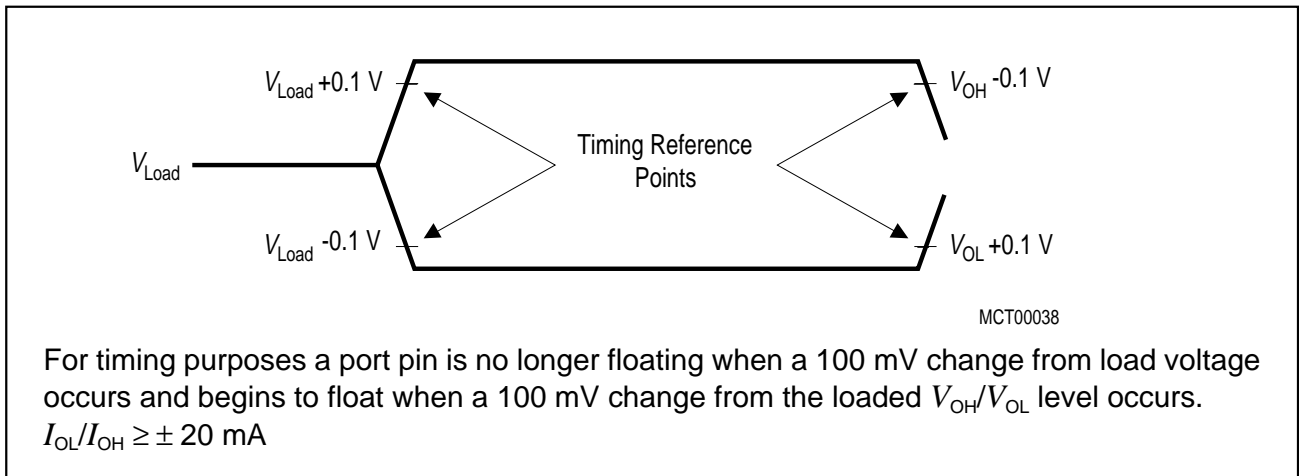
Parameter	Symbol	Limit Values			Unit
		min.	typ	max.	
ALE pulse width	t_{AWD}	–	CLP	–	ns
ALE period	t_{ACY}	–	6 CLP	–	ns
Data valid after ALE	t_{DVA}	–	–	2 CLP	ns
Data stable after ALE	t_{DSA}	4 CLP	–	–	ns
P3.5 setup to ALE low	t_{AS}	–	t_{CL}	–	ns
Oscillator frequency	1/ CLP	4	–	6	MHz



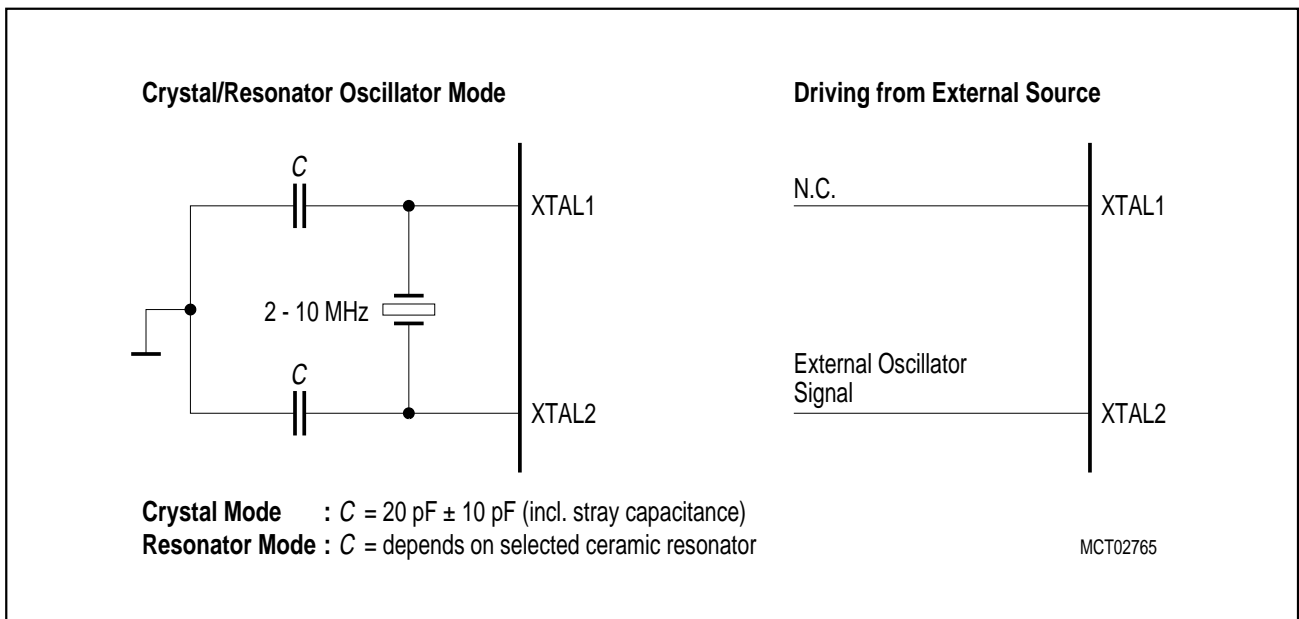
ROM/OTP Verification Mode 2



AC Testing: Input, Output Waveforms



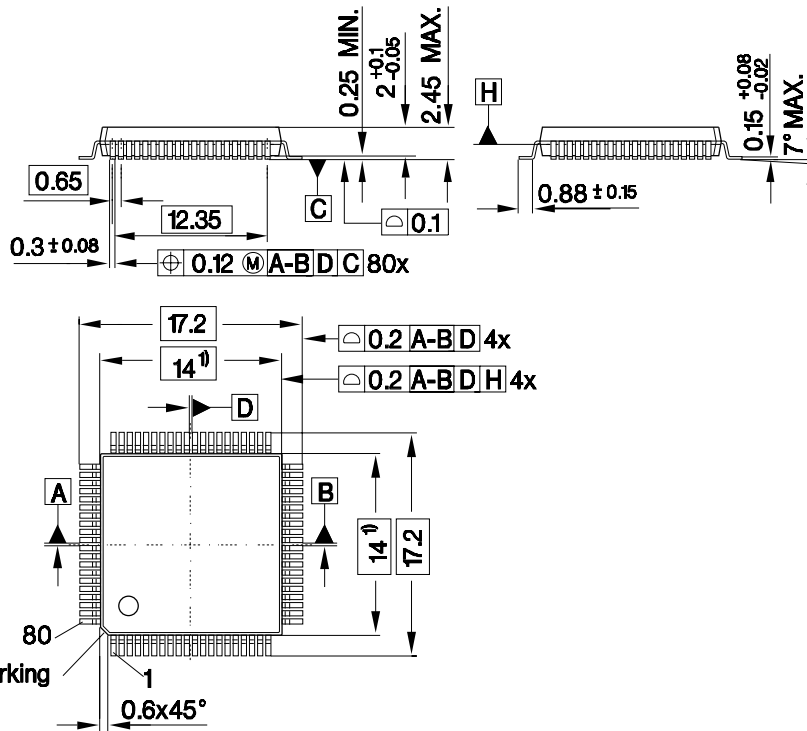
AC Testing : Float Waveforms



Recommended Oscillator Circuits for Crystal Oscillator

11.7 Package Information

P-MQFP-80-1 (Plastic Metric Quad Flat Package)



1) Does not include plastic or metal protrusion of 0.25 max. per side

GPM05249

Sorts of Packing

Package outlines for tubes, trays etc. are contained in our Data Book "Package Information".

SMD = Surface Mounted Device

Dimensions in mm

12 Index

Note : Bold page numbers refer to the main definition part of SFRs or SFR bits.

A

A/D converter 6-113 to 6-124
 Block diagram 6-114
 Calibration mechanisms 6-124
 Clock selection 6-119
 Conversion time calculation 6-122
 Conversion timing 6-120
 General operation 6-113
 Registers 6-115 to 6-118
 System clock relationship 6-121
 A/D converter characteristics 11-6 to 11-7
 Absolute maximum ratings 11-1
 AC **2-4**, 3-17
 AC characteristics 11-8 to 11-10
 AC Testing
 Float waveforms 11-20
 Input/output waveforms 11-20
 ACC 3-12, 3-17
 ADCL 3-17, **6-117**
 ADCON0 3-12, 3-13, 3-17, 5-8, 6-51, **6-116**
 ADCON1 3-12, 3-17, **6-116**
 ADDATH 3-12, 3-17, **6-115**
 ADDATL 3-12, 3-17, **6-115**
 ADEX 3-17, **6-116**
 ADM 3-17, **6-116**
 ADST 3-17
 ALE signal 4-4

B

B 3-12, 3-17
 Basic CPU timing 2-5
 BD 3-17, **6-51**
 Block diagram 2-2
 BOFF 3-18, **6-84**
 BRP 3-18, **6-87**
 BRS0 3-15, **6-72**
 BRS1 3-15, **6-72**
 BRS2 3-15, **6-72**
 BSY 3-17, **6-116**
 BTR0 3-13, 3-18, **6-87**
 BTR1 3-13, 3-18, **6-87**

C

C/T 3-15, **6-24**
 CAN controller 6-76 to 6-112

Access control 3-3
 Basic function 6-77
 Bit time calculation 6-106
 Bit timing configuration 6-105
 Block diagram 6-78
 Configuration examples 6-110
 Idle mode 6-108
 Initialization 6-104
 Interface signals 6-112
 Interrupt handling 6-107
 Power down mode 6-108
 Registers 6-81 to 6-97
 Address map 6-82
 General registers 6-81
 Message object address map 6-91
 Message object handling 6-97 to 6-103
 Message object registers 6-91
 Slow down mode 6-108
 Synchronization 6-106
 CCE 3-18, **6-83**
 CCEN 3-14, 3-16, **6-35**
 CCH1 3-14, 3-16
 CCH2 3-14, 3-16
 CCH3 3-14, 3-16
 CCL1 3-14, 3-16
 CCL2 3-14, 3-16
 CCL3 3-14, 3-16
 CLK 3-17, **5-8**
 CLKOUT 3-15, **5-8**
 COCAH0 3-16, **6-35**
 COCAH1 3-16, **6-35**
 COCAH2 3-16, **6-35**
 COCAH3 3-16, **6-35**
 COCAL0 3-16, **6-35**
 COCAL1 3-16, **6-35**
 COCAL2 3-16, **6-35**
 COCAL3 3-16, **6-35**
 CPHA 3-15, **6-72**
 CPOL 3-15, **6-72**
 CPU
 Accumulator 2-3
 B register 2-4
 Basic timing 2-5
 Fetch/execute diagram 2-6
 Functionality 2-3
 Program status word 2-3
 Stack pointer 2-4

- CPU run signal (CPUR) 9-15
 - CPU timing 2-6
 - CPUUPD 3-18, **6-93**
 - CR 3-13, 3-18, **6-83**
 - CRCH 3-14, 3-17, **6-33**
 - CRCL 3-14, 3-17, **6-33**
 - CSWO 3-16, **6-109**
 - CY 2-4, **2-4**, 3-17
- D**
- Datapointers 4-6 to 4-9
 - Application examples 4-7 to 4-9
 - DPSEL register 4-6
 - Functionality 4-6
 - DB0 3-13, 3-19, **6-97**
 - DB1 3-13, 3-19, **6-97**
 - DB2 3-13, 3-19, **6-97**
 - DB3 3-13, 3-19, **6-97**
 - DB4 3-13, 3-19, **6-97**
 - DB5 3-13, 3-19, **6-97**
 - DB6 3-13, 3-19, **6-97**
 - DB7 3-13, 3-19, **6-97**
 - DC characteristics 11-2 to 11-5
 - Device Characteristics 11-1 to 11-21
 - DIR 3-18, **6-96**
 - DIR5 3-12, 3-17, **6-4**
 - Direction register 6-4
 - DLC 3-18, **6-96**
 - DPH 3-12, 3-15
 - DPL 3-12, 3-15
 - DPSEL 3-12, 3-15, **4-6**
- E**
- EADC 3-16, **6-118**, 7-6
 - EAL 3-16, **7-5**
 - EALE 3-16, **4-4**
 - ECAN 3-16, **7-7**
 - EIE 3-18, **6-83**
 - Emulation concept 4-5
 - ES 3-16, **7-5**
 - ESSC 3-16, **7-7**
 - ET0 3-16, **7-5**
 - ET1 3-16, **7-5**
 - ET2 3-16, **6-34**, 7-5
 - EWPD 3-15, **9-2**
 - EWRN 3-18, **6-84**
 - EX0 3-16, **7-5**
 - EX1 3-16, **7-5**
 - EX2 3-16, **7-6**
 - EX3 3-16, **7-6**
 - EX4 3-16, **7-6**
 - EX5 3-16, **7-6**
 - EX6 3-16, **7-6**
 - EX7 3-16, **7-7**
 - EX8 3-16, **7-7**
 - Execution of instructions 2-5, 2-6
 - EXEN2 3-16, **6-34**, 7-6
 - EXF2 3-16, **6-34**, 7-10
 - External bus interface 4-1
 - ALE signal 4-4
 - ALE switch-off control 4-4
 - Overlapping of data/program memory 4-3
 - Program memory access 4-3
 - Program/data memory timing 4-2
 - PSEN signal 4-3
 - Role of P0 and P2 4-1
- F**
- F0 **2-4**, 3-17
 - F1 **2-4**, 3-17
 - Fast power-on reset 5-4, 8-8
 - Features 1-2
 - Functional units 1-1
 - Fundamental structure 2-1
- G**
- GATE 3-15, **6-24**
 - GF0 3-15, **9-1**
 - GF1 3-15, **9-1**
 - GMS0 3-13, 3-18, **6-88**
 - GMS1 3-13, 3-18, **6-88**
- H**
- Hardware reset 5-1
- I**
- I/O ports 6-1 to 6-20
 - I2FR 3-16, **7-9**
 - I3FR 3-16, **6-32**, 7-9
 - IADC 3-16, **6-118**, 7-10
 - ID12 3-18
 - ID17 3-18
 - ID20 3-18
 - ID28 3-18
 - ID4 3-18
 - IDLE 3-15, **9-1**
 - Idle mode 9-3 to 9-4
 - IDLS 3-15, **9-1**
 - IE 3-18, **6-83**

- IE0 3-15, **7-8**
 - IE1 3-15, **7-8**
 - IEN0 3-12, 3-14, 3-16, 6-34, **7-5**, 8-3
 - IEN1 3-12, 3-14, 3-16, 6-34, 6-118, **7-6**, 8-3
 - IEN2 3-12, 3-16, **7-7**
 - IEX2 3-16, **7-10**
 - IEX3 3-16, **7-10**
 - IEX4 3-16, **7-10**
 - IEX5 3-16, **7-10**
 - IEX6 3-16, 7-10, **7-10**
 - INIT 3-18, **6-83**
 - INT0 3-16
 - INT1 3-16
 - INT2 3-15
 - INT3 3-15
 - INT4 3-15
 - INT5 3-15
 - INT6 3-15
 - INT8 3-17
 - Interrupts 7-1
 - Block diagram 7-2 to 7-4
 - Enable registers 7-5 to 7-7
 - External interrupts 7-18
 - Handling procedure 7-16
 - Priority registers 7-14
 - Priority within level structure 7-15
 - Request flags 7-8 to 7-13
 - Response time 7-20
 - Sources and vector addresses 7-17
 - INTID 3-18, **6-86**
 - INTPND 3-18, **6-92**
 - IP0 3-12, 3-14, 3-16, **7-14**, 8-3, 8-6
 - IP1 3-12, 3-16, 6-4, **7-14**
 - IR 3-13, 3-18, **6-86**
 - IRCON 3-12, 3-16, 6-34, 6-118, **7-10**
 - IT0 3-15, **7-8**
 - IT1 3-15, **7-8**
- L**
- LAR0 3-13, 3-18, **6-95**
 - LAR1 3-13, 3-18, **6-95**
 - LEC0 3-18, **6-85**
 - LEC1 3-18, **6-85**
 - LEC2 3-18, **6-85**
 - LGML0 3-13, 3-18, **6-89**
 - LGML1 3-13, 3-18, **6-89**
 - LMLM0 3-13, 3-18, **6-90**
 - LMLM1 3-13, 3-18, **6-90**
- Logic symbol 1-3
 - LOOPB 3-15, **6-75**
 - LSBSM 3-15, **6-75**
- M**
- M0 3-15, **6-24**
 - M1 3-15, **6-24**
 - MCFG 3-13, 3-18, **6-96**
 - MCR0 3-13, 3-18, **6-92**
 - MCR1 3-13, 3-18, **6-92**
 - Memory organization 3-1
 - Data memory 3-2
 - General purpose registers 3-2
 - Memory map 3-1
 - Program memory 3-2
 - MSGLST 3-18, **6-93**
 - MSGVAL 3-18, **6-92**
 - MSTR 3-15, **6-71**
 - MX0 3-17
 - MX1 3-17
 - MX2 3-17
 - MX2-0 **6-116**
- N**
- NEWDAT 3-18, **6-93**
- O**
- Oscillator operation 5-6 to 5-7
 - External clock source 5-7
 - On-chip oscillator circuitry 5-7
 - Recommended oscillator circuit 5-6
 - Oscillator watchdog 8-6 to 8-8
 - Behaviour at reset 5-4
 - Block diagram 8-7
 - OTP memory of the C515C-8E 10-1 to 10-11
 - Access mode selection 10-6
 - Basic mode selection 10-5
 - Lock bit access 10-9
 - Pin configuration 10-2
 - Pin definitions and functions 10-3, 10-4
 - Program/read operation 10-7, 10-8
 - Programming mode 10-1
 - Version byte access 10-11
 - OV **2-4**, 3-17
 - OWDS 3-16, **8-6**
- P**
- P **2-4**, 3-17
 - P0 3-12, 3-15

- P1..... 3-12, 3-15
- P2..... 3-12, 3-16
- P3..... 3-12, 3-16
- P4..... 3-12, 3-17
- P5..... 3-12, 3-17
- P6..... 3-12, 3-17
- P7..... 3-12, 3-17
- Package information..... 11-21
- Parallel I/O..... 6-1 to 6-20
- PCON..... 3-13, 3-14, 3-15, 6-51, **9-1**
- PCON1..... 3-14, 3-15, **9-2**
- PDE..... 3-15, **9-1**
- PDIR..... 6-3, 6-4, **6-4**
- PDS..... 3-15, **9-1**
- Pin Configuration..... 1-4
- Pin Definitions and functions... 1-5 to 1-10
- PMOD..... 3-16, **6-4**
- Port structure selection..... 6-3
- Ports..... 6-1 to 6-20
 - Alternate functions..... 6-16 to 6-17
 - Basic structure..... 6-2
 - Bidirectional (CMOS) port structure of
 - port 5..... 6-12 to 6-15
 - Hardware power down mode... 6-15
 - Input mode..... 6-12
 - Output mode..... 6-13
 - Port loading and interfacing... 6-19
 - Port timing..... 6-18
 - Quasi-bidirectional port structure..... 6-5 to 6-11
 - Basic circuitry..... 6-5
 - Output driver circuitry... 6-6
 - Port 0 circuitry..... 6-8
 - Port 0/2 as address/data bus... 6-9
 - SSC port pins of port 4... 6-10
 - Read-modify-write function... 6-19
 - Selection of port structure... 6-3
- Power down mode
 - by hardware..... 9-9 to 9-14
 - by software..... 9-6 to 9-8
- Power saving modes..... 9-1 to 9-15
 - Control registers..... 9-1 to 9-2
 - Hardware power down mode... 9-9 to 9-14
 - Reset timing..... 9-11
 - Status of external pins..... 9-9
 - Idle mode..... 9-3 to 9-4
 - Slow down mode..... 9-5
 - Software power down mode... 9-6 to 9-8
 - Entry procedure..... 9-6
 - Exit (wake-up) procedure... 9-7
 - State of pins..... 9-8
 - Protected ROM verify timing... 4-11
 - PSEN signal..... 4-3
 - PSW..... **2-4**, 3-12, 3-17
- R**
 - RB8..... 3-15, 6-49, **6-50**
 - RD..... 3-16
 - Recommended oscillator circuits... 11-20
 - REN..... 3-15, **6-50**
 - Reset..... 5-1
 - Fast power-on reset..... 5-4
 - Hardware reset timing..... 5-3
 - Power-on reset timing..... 5-5
 - RI..... 3-15, 6-49, **6-50**, 7-12
 - RMAP..... **3-11**, 3-16
 - RMTMPND..... 3-18, **6-93**
 - ROM protection..... 4-10
 - Protected ROM mode..... 4-11
 - Protected ROM verification example 4-12
 - Unprotected ROM mode..... 4-10
 - RS0..... **2-4**, 3-17
 - RS1..... **2-4**, 3-17
 - RXD..... **6-48**
 - RxD..... 3-16
 - RXDC..... 3-17, **6-112**
 - RXIE..... 3-18, **6-92**
 - RXOK..... 3-18, **6-84**
- S**
 - SBUF..... 3-13, 3-15, 6-49, **6-50**
 - SCEN..... 3-15, **6-71**
 - SCF..... 3-14, 3-16, **6-74**, 7-13
 - SCIEN..... 3-14, 3-16, **6-73**, 7-7
 - SCLK..... 3-17
 - SCON... 3-12, 3-13, 3-15, 6-49, **6-50**, 7-12
 - SD..... 3-15, **9-1**
 - Serial interface (USART)..... 6-48 to 6-64
 - Baudrate generation..... 6-51
 - with internal baud rate generator . 6-53
 - with timer 1..... 6-55
 - Multiprocessor communication... 6-49
 - Operating mode 0..... 6-56 to 6-58
 - Operating mode 1..... 6-59 to 6-61
 - Operating mode 2 and 3... 6-62 to 6-64
 - Registers..... 6-49

SIE	3-18, 6-83	T2R0	3-16, 6-32
SJW	3-18, 6-87	T2R1	3-16, 6-32
SLS	3-17	TB8	3-15, 6-49, 6-50
SM0	3-15, 6-50, 6-50	TC	3-16, 6-74 , 7-13
SM1	3-15, 6-50, 6-50	TCEN	3-16, 6-73 , 7-7
SM2	3-15, 6-50	TCON	3-12, 3-14, 3-15, 6-23, 7-8
SMOD	3-15, 6-51	TEN	3-15, 6-71
SP	3-12, 3-15	TEST	3-18, 6-83
Special Function Registers	3-11	TF0	3-15, 6-23 , 7-8
Access with RMAP	3-11	TF1	3-15, 6-23 , 7-8
CAN registers - address ordered	3-18 to 3-19	TF2	3-16, 6-34 , 7-10
Table - address ordered	3-15 to 3-17	TH0	3-14, 3-15, 6-22
Table - functional order	3-12 to 3-14	TH1	3-14, 3-15, 6-22
SR	3-13, 3-18, 6-84	TH2	3-14, 3-17, 6-33
SRB	3-14, 3-15, 6-75	TI	3-15, 6-49, 6-50 , 7-12
SRELH	3-13, 3-16, 6-54	Timer/counter	6-21
SRELL	3-13, 3-16, 6-54	Timer/counter 0 and 1	6-21 to 6-28
SRI	3-17	Mode 0, 13-bit timer/counter	6-25
SSCCON	3-14, 3-15, 6-71	Mode 1, 16-bit timer/counter	6-26
SSCMOD	3-14, 3-15, 6-75	Mode 2, 8-bit rel. timer/counter	6-27
STB	3-14, 3-15, 6-75	Mode 3, two 8-bit timer/counter	6-28
STO	3-17	Registers	6-22 to 6-24
SWDT	3-16, 8-3	Timer/counter 2	6-29 to 6-47
Synchronous serial interface (SSC)		Block diagram	6-30
6-65 to 6-75		Capture function	6-46 to 6-47
Baudrate generation	6-67	Compare function	6-38 to 6-43
Block diagram	6-65	Compare mode 0	6-38 to 6-41
General operation	6-66	Compare mode 1	6-42 to 6-43
Master mode timing	6-69	Compare mode interrupts	6-44
Master/slave mode	6-68	General operation	6-36
Registers	6-71 to 6-75	Port functions	6-29
Slave mode timing	6-70	Registers	6-31 to 6-35
Write collision detection	6-67	Reload configuration	6-37
SYSCON	3-3, 3-11, 3-12, 3-16, 4-4, 6-4, 6-109	Timings	
System clock output	5-8 to 5-9	Data memory read cycle	11-11
T		Data memory write cycle	11-12
T0	3-16	External clock timing	11-12
T1	3-16	Program memory read cycle	11-11
T2	3-15	ROM verification mode 1	11-18
T2CM	3-16, 6-32	ROM verification mode 2	11-19
T2CON	3-12, 3-14, 3-16, 6-32, 7-9	SSC timing	11-13
T2EX	3-15	TL0	3-14, 3-15, 6-22
T2I0	3-16, 6-32	TL1	3-14, 3-15, 6-22
T2I1	3-16, 6-32	TL2	3-14, 3-17, 6-33
T2PS	3-16, 6-32	TMOD	3-14, 3-15, 6-24
		TR0	3-15, 6-23
		TR1	3-15, 6-23

TRIO 3-15, **6-75**
 TSEG1 3-18, **6-87**
 TSEG2 3-18, **6-87**
 TXD **6-48**
 TxD 3-16
 TXDC 3-17, **6-112**
 TXIE 3-18, **6-92**
 TXOK 3-18, **6-84**
 TXRQ 3-18, **6-93**

U

UAR0 3-13, 3-18, **6-95**
 UAR1 3-13, 3-18, **6-95**
 UGML0 3-13, 3-18, **6-89**
 UGML1 3-13, 3-18, **6-89**
 UMLM0 3-13, 3-18, **6-90**
 UMLM1 3-13, 3-18, **6-90**
 Unprotected ROM verify timing 4-10

V

Version bytes 10-11
 Version registers 10-11
 VR0 3-17
 VR1 3-17
 VR2 3-17

W

Watchdog timer 8-1 to 8-5
 Block diagram 8-1
 Control/status flags 8-3
 Input clock selection 8-2
 Refreshing of the WDT 8-5
 Reset operation 8-5
 Starting of the WDT 8-4
 Time-out periods 8-2
 WCEN 3-16, **6-73**, 7-7
 WCOL 3-16, **6-74**, 7-13
 WDT 3-16, 8-3
 WDTPSEL 3-15, **8-2**
 WDTREL 3-14, 3-15, **8-2**
 WDTS 3-16, **8-3**
 WR 3-16
 WS 3-15, **9-2**

X

XMAP0 **3-3**, 3-16
 XMAP1 **3-3**, 3-16
 XPAGE **3-5**, 3-12, 3-15
 XRAM operation 3-3
 Access control 3-3

Accessing through DPTR 3-5
 Accessing through R0/R1 3-5
 Behaviour of P2/P0 3-9
 Reset operation 3-9
 Table - P0/P2 during MOVX instr. . . . 3-10
 XPAGE register 3-5
 Use of P2 as I/O port 3-8
 Write page address to P2 3-6
 Write page address to XPAGE 3-7
 XTD 3-18, 6-77, **6-96**